



US00D825795S

(12) **United States Design Patent** (10) **Patent No.:** **US D825,795 S**  
**Bucher et al.** (45) **Date of Patent:** **\*\* Aug. 14, 2018**

- (54) **VEHICLE HEADLIGHT**
- (71) Applicant: **Ford Global Technologies, LLC**,  
Dearborn, MI (US)
- (72) Inventors: **George Bucher**, Dearborn, MI (US);  
**James Grake**, Beverly Hills, MI (US);  
**Steven Gilmore**, Farmington Hills, MI  
(US)
- (73) Assignee: **Ford Global Technologies, LLC**,  
Dearborn, MI (US)
- (\*\*) Term: **15 Years**
- (21) Appl. No.: **29/593,062**
- (22) Filed: **Feb. 6, 2017**
- (51) **LOC (11) Cl.** ..... **26-07**
- (52) **U.S. Cl.**  
USPC ..... **D26/28**
- (58) **Field of Classification Search**  
USPC ..... D26/28-36; 362/459-468, 475-478,  
362/485-487  
CPC ..... F21S 48/00; F21S 48/10; F21S 48/115;  
F21S 48/225; F21S 48/1233; F21S  
48/1266; F21S 48/1388; F21S 48/2268;  
F21V 21/04  
See application file for complete search history.

D566,868 S *	4/2008	Opfer .....	D26/28
D573,732 S *	7/2008	Suzuki .....	D26/28
D657,900 S *	4/2012	Sasaki .....	D26/28
D694,443 S *	11/2013	Mackay .....	D26/28
D694,921 S *	12/2013	Mackay .....	D26/28
D735,915 S	8/2015	Grake et al.	
D735,916 S	8/2015	Grake et al.	
D747,019 S *	1/2016	Behmer .....	D26/28
D750,291 S *	2/2016	Platto .....	D26/28
D768,895 S *	10/2016	Platto .....	D26/28
D771,851 S *	11/2016	Platto .....	D26/28
D775,747 S *	1/2017	Curic .....	D26/28

\* cited by examiner

*Primary Examiner* — Angela J Lee

(74) *Attorney, Agent, or Firm* — James Dottavio

(57) **CLAIM**

The ornamental design for a vehicle headlight, as shown and described.

**DESCRIPTION**

FIG. 1 is a top front perspective view of the first embodiment of a vehicle headlight, showing our new design; FIG. 2 is a bottom front perspective view thereof; FIG. 3 is a top rear inside perspective view thereof; FIG. 4 is a front elevational view thereof; FIG. 5 is a rear elevational view thereof; FIG. 6 is a left side elevational view thereof; FIG. 7 is a right side elevational view thereof; FIG. 8 is a top plan view thereof; and, FIG. 9 is a bottom plan view thereof. The second embodiment of the vehicle headlight is mirror image of the embodiment disclosed in FIGS. 1 through 9, and is not shown.

**1 Claim, 9 Drawing Sheets**

(56) **References Cited**

U.S. PATENT DOCUMENTS

D490,170 S *	5/2004	Metros .....	D26/28
D502,561 S *	3/2005	Metros .....	D26/28
D552,273 S *	10/2007	Gresens .....	D26/28
D559,413 S	1/2008	Schiavone et al.	

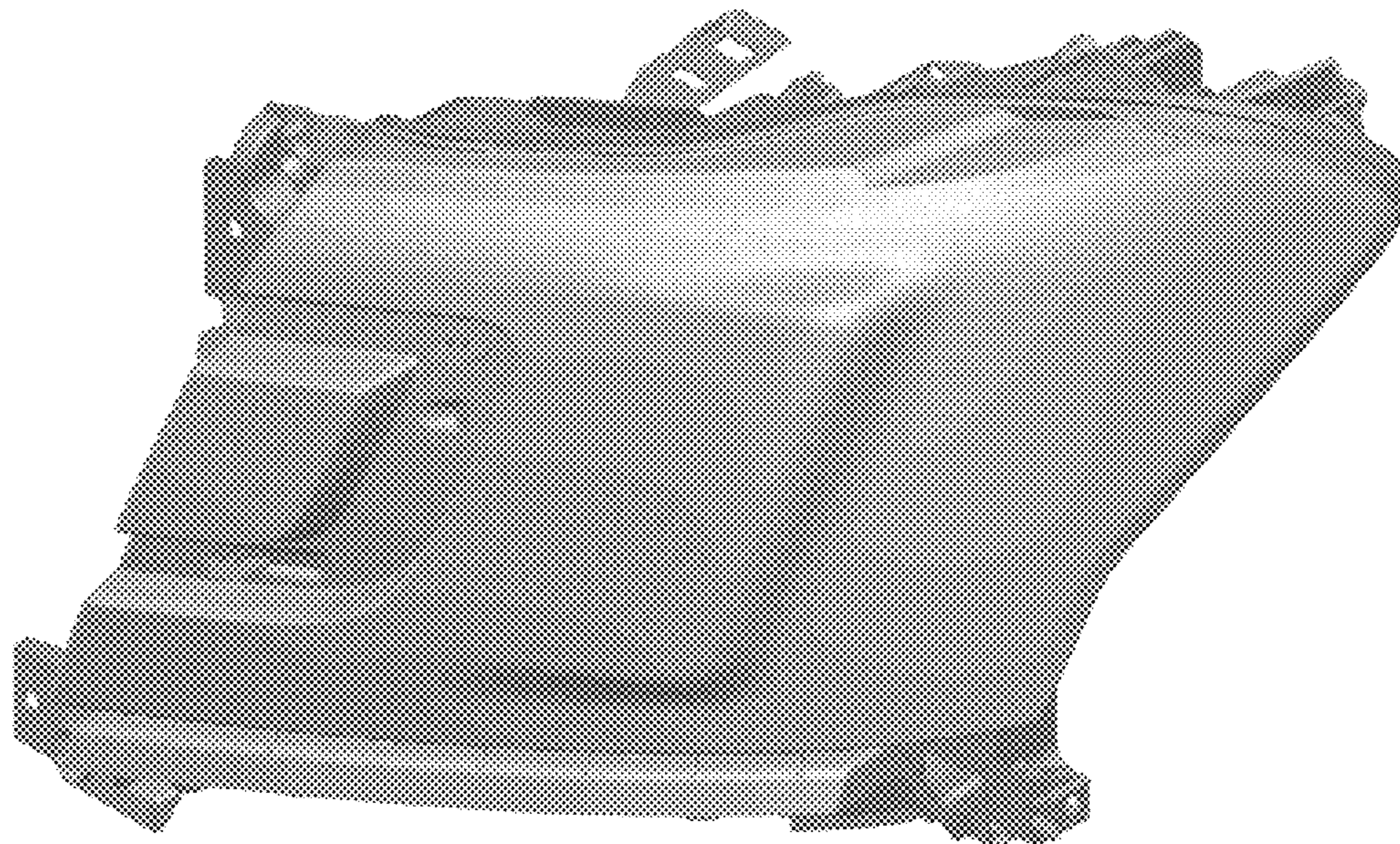




Figure 1



Figure 2

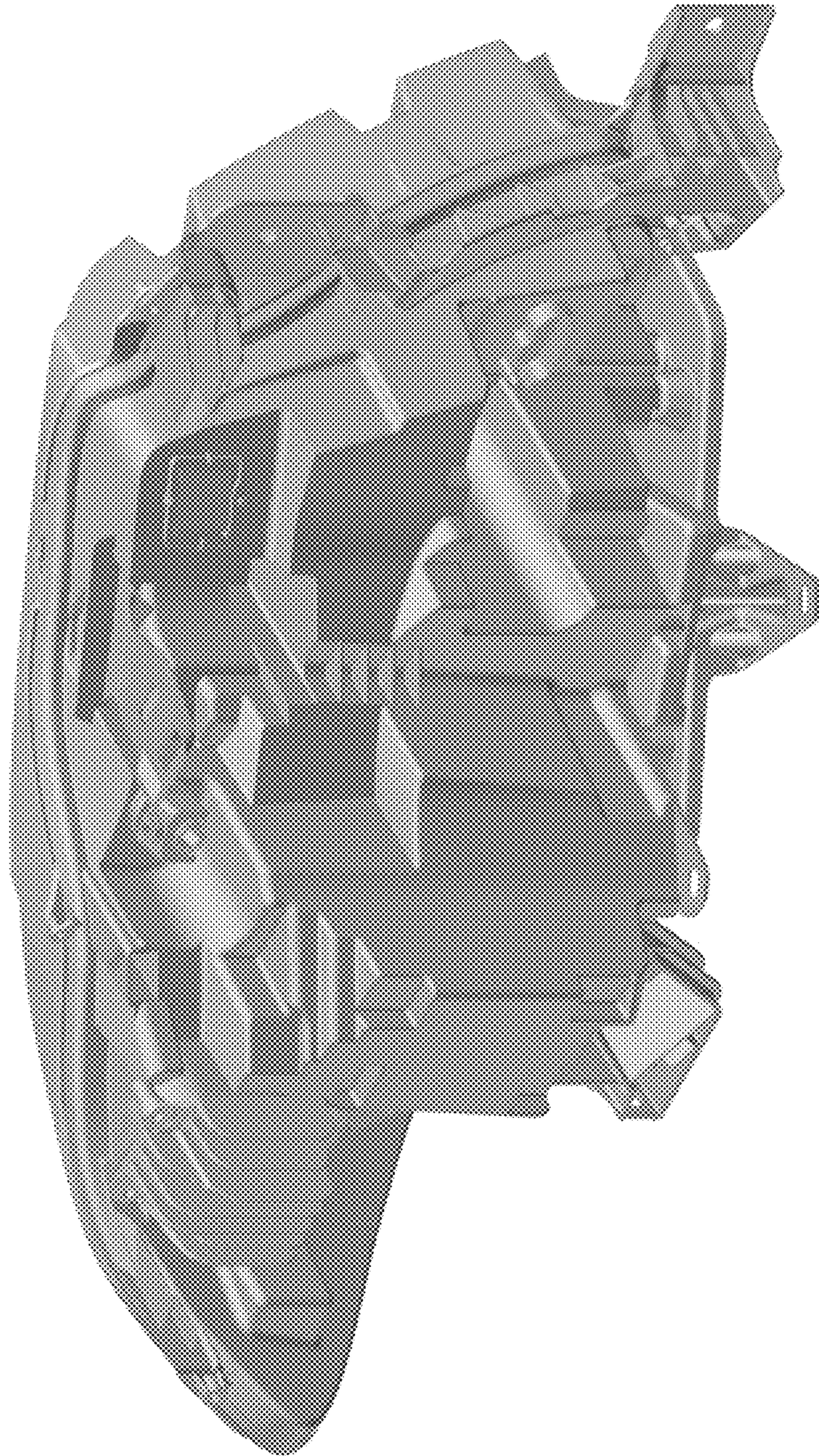


Figure 3

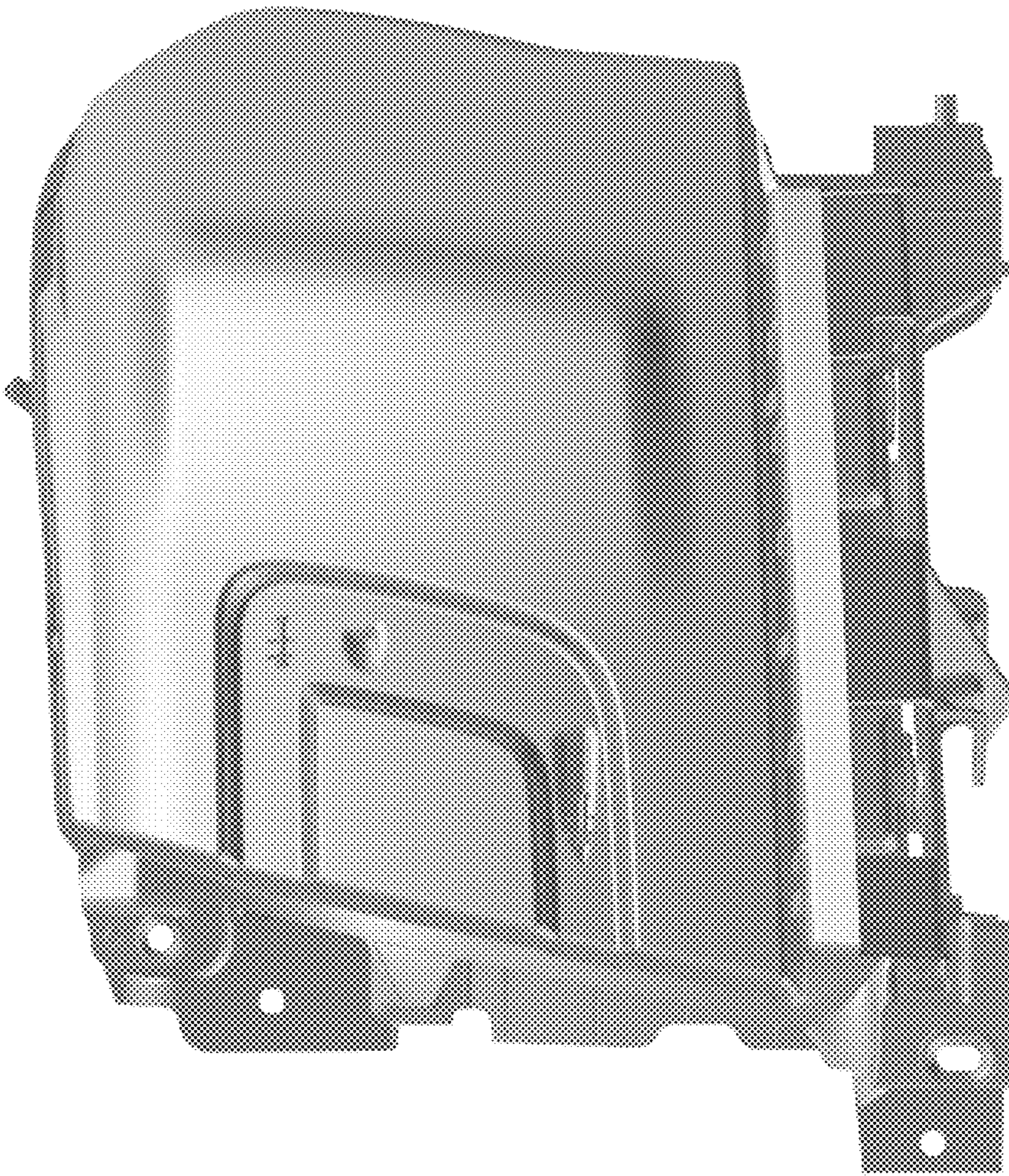


Figure 4

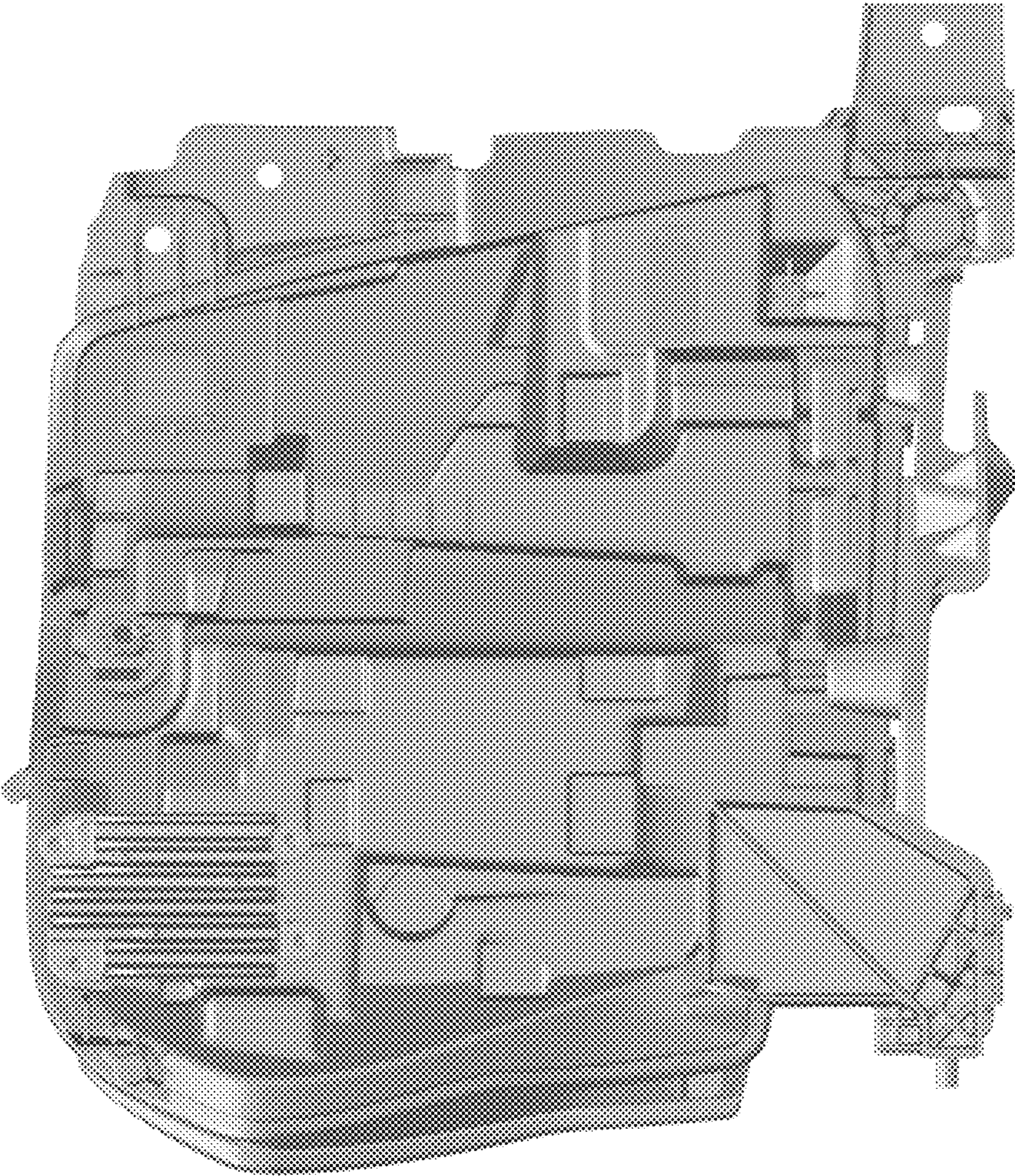


Figure 5

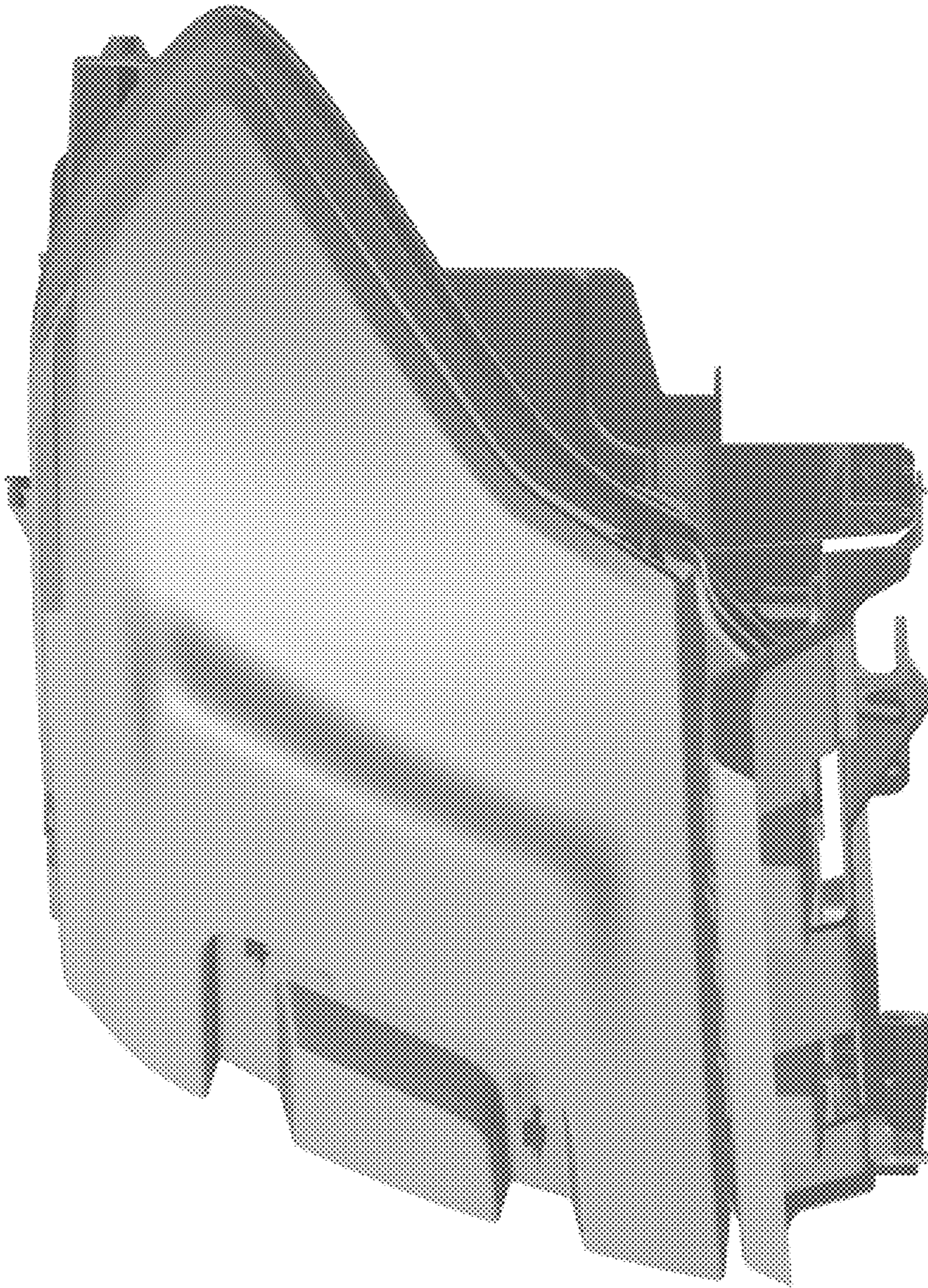


Figure 6

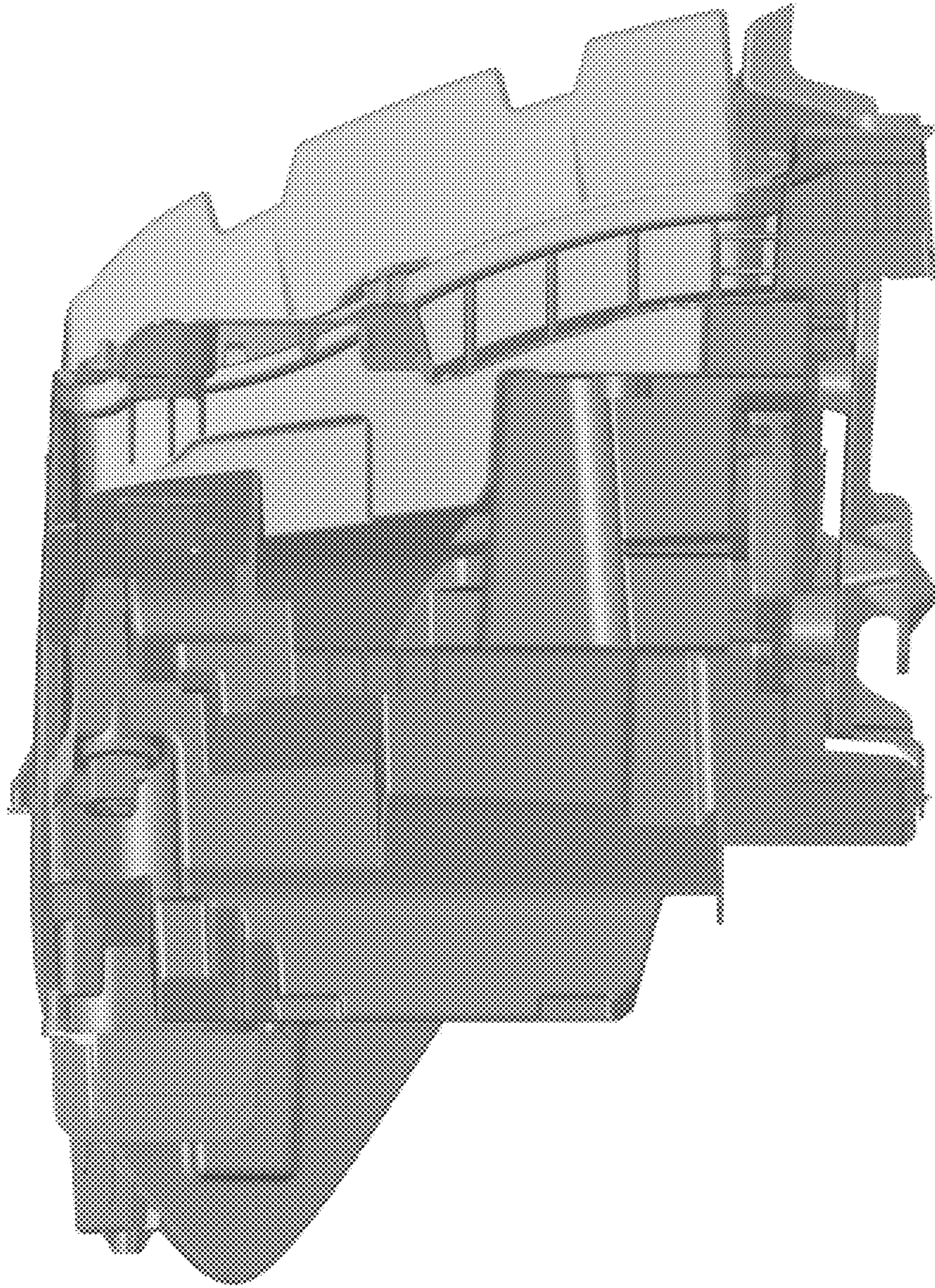


Figure 7



Figure 8

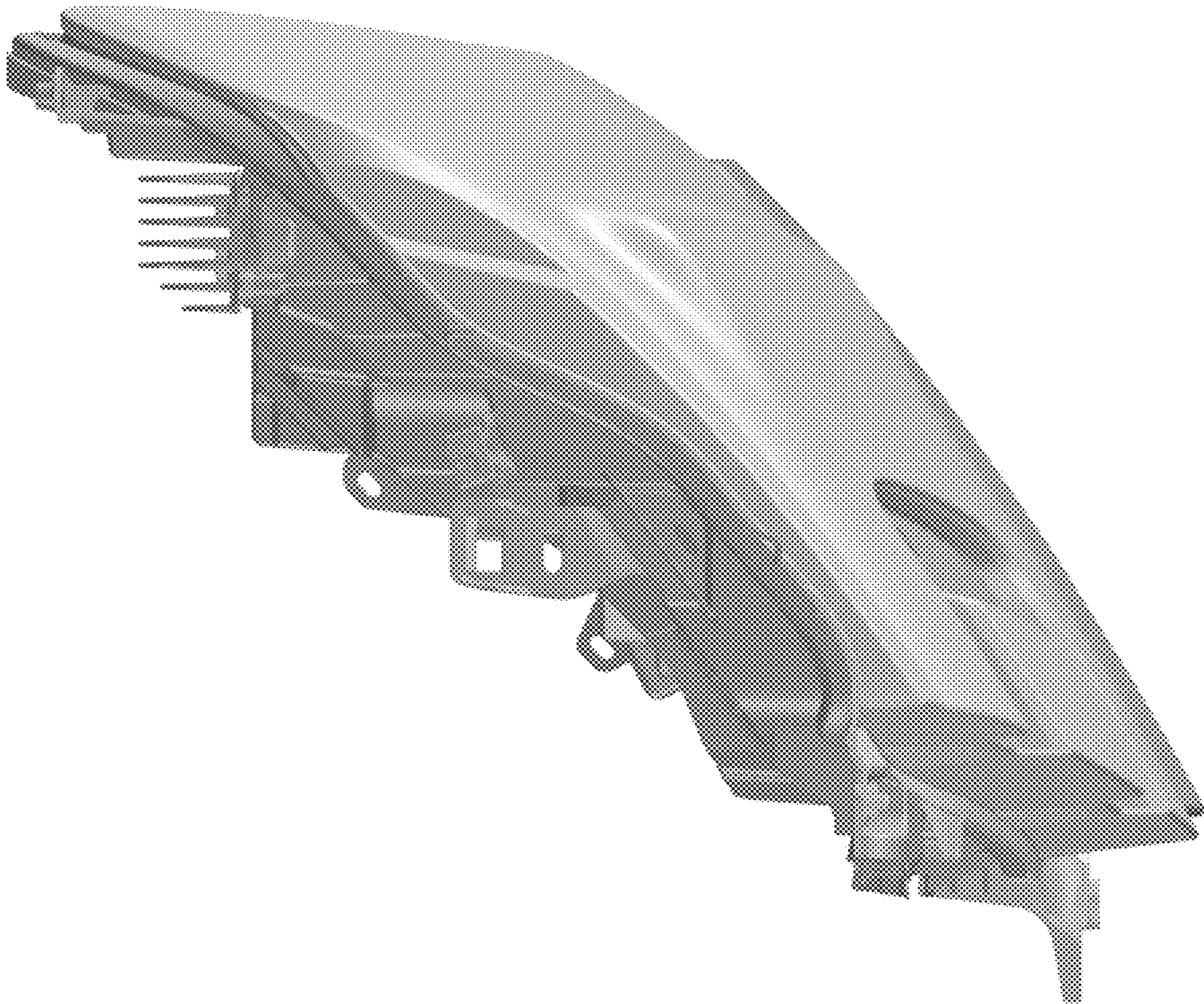


Figure 9

