



US00D825794S

(12) **United States Design Patent**
Zheng et al.

(10) **Patent No.:** **US D825,794 S**

(45) **Date of Patent:** **** Aug. 14, 2018**

(54) **TAILLIGHT**

(71) Applicant: **Shenzhen Qianhai LIVALL IoT Technology Co., Ltd.**, Shenzhen, Guangdong Province (CN)

(72) Inventors: **Bo Zheng**, Shenzhen (CN);
Yong-Zheng Ye, Shenzhen (CN);
Yang-Feng Shi, Lingshan County (CN)

(73) Assignee: **SHENZHEN QIANHAI LIVALL IOT TECHNOLOGY CO., LTD.**, Shenzhen, Guangdong Province (CN)

(**) Term: **15 Years**

(21) Appl. No.: **29/590,334**

(22) Filed: **Jan. 9, 2017**

(30) **Foreign Application Priority Data**

Dec. 13, 2016 (CN) 2016 3 0611991

(51) **LOC (11) Cl.** **26-27**

(52) **U.S. Cl.**
USPC **D26/28**

(58) **Field of Classification Search**
USPC D26/28-36; 362/459-468, 475-478,
362/485-487
CPC F21S 48/00; F21S 48/10; F21S 48/115;
F21S 48/225; F21S 48/1233; F21S
48/1266; F21S 48/1388; F21S 48/2268;
F21V 21/04

See application file for complete search history.

(56) **References Cited**

U.S. PATENT DOCUMENTS

D528,230 S * 9/2006 Nagano D26/28
D540,966 S * 4/2007 Ueda D26/28

D663,451 S * 7/2012 Ueda D26/28
D717,979 S * 11/2014 Ueda D26/28
D733,342 S * 6/2015 Lee D26/28
D733,948 S * 7/2015 Liao D26/28
D735,381 S * 7/2015 Lee D26/28
D751,739 S * 3/2016 Hamasaki D26/28
D752,787 S * 3/2016 Kawakami D26/28
D757,311 S * 5/2016 Nagano D26/28
D757,968 S * 5/2016 Olson D26/28
D759,859 S * 6/2016 Ng D26/28
D779,690 S * 2/2017 Nagano D26/28

* cited by examiner

Primary Examiner — Angela J Lee

(74) *Attorney, Agent, or Firm* — Cheng-Ju Chiang

(57) **CLAIM**

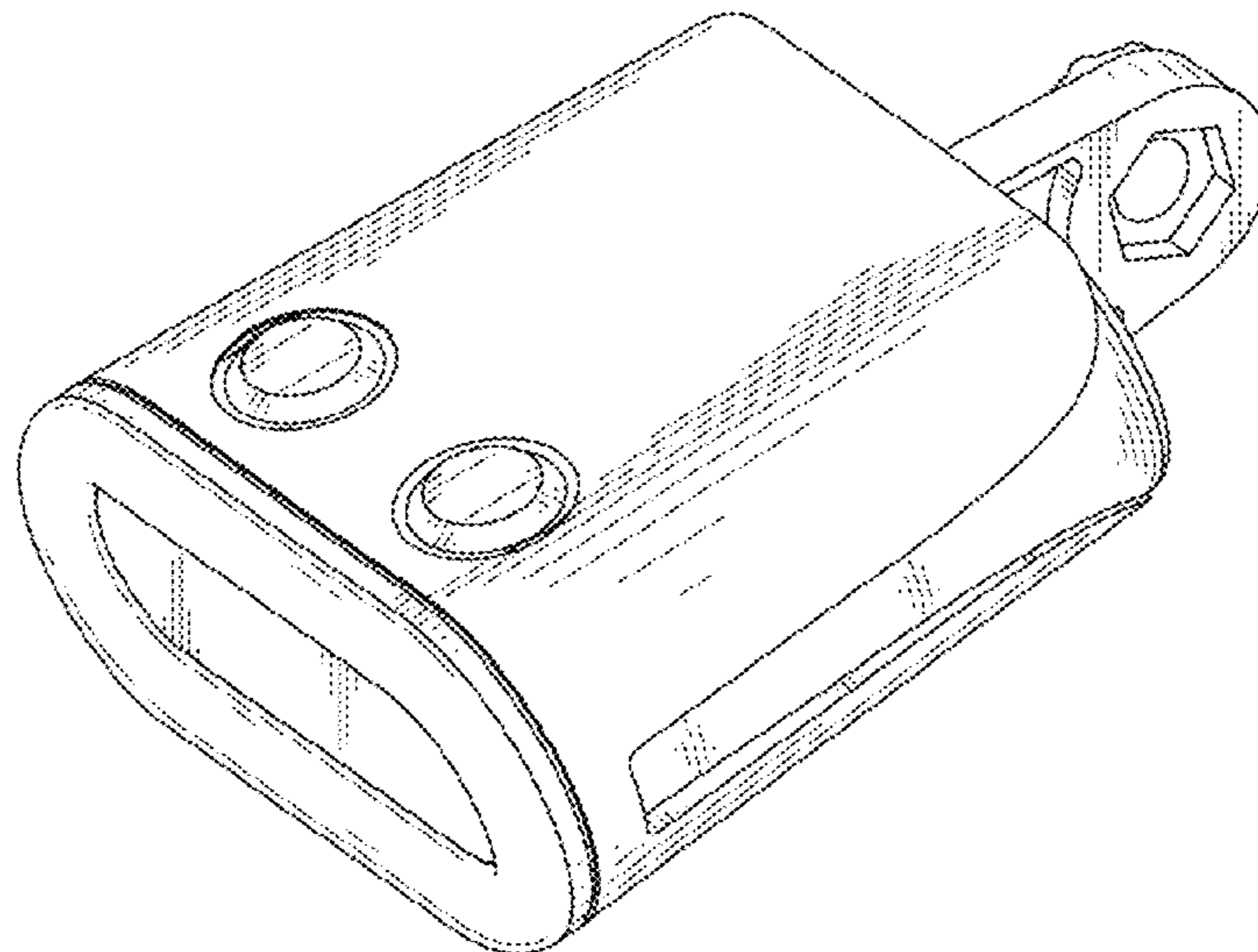
The ornamental design for a taillight, as shown and described.

DESCRIPTION

FIG. 1 is a front, bottom and right side perspective view of a taillight;
FIG. 2 is a rear, top and right side perspective view thereof;
FIG. 3 is a front view thereof;
FIG. 4 is a rear view thereof;
FIG. 5 is a right side view thereof;
FIG. 6 is a left side view thereof;
FIG. 7 is a top plan view thereof; and,
FIG. 8 is a bottom plan view thereof.

The broken line portion of the figure drawings is included to show unclaimed subject matter only and forms no part of the claimed design.

1 Claim, 8 Drawing Sheets



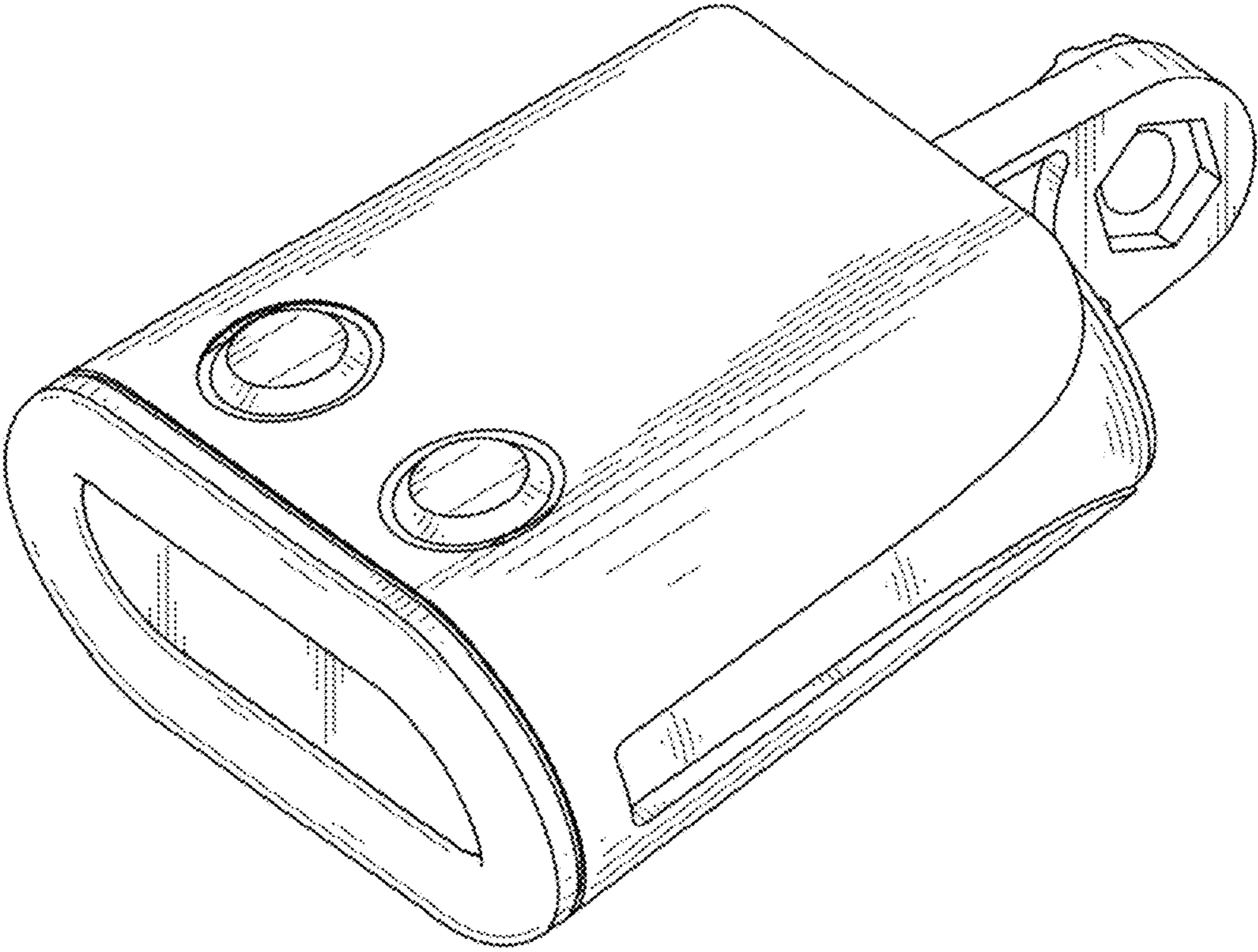


FIG. 1

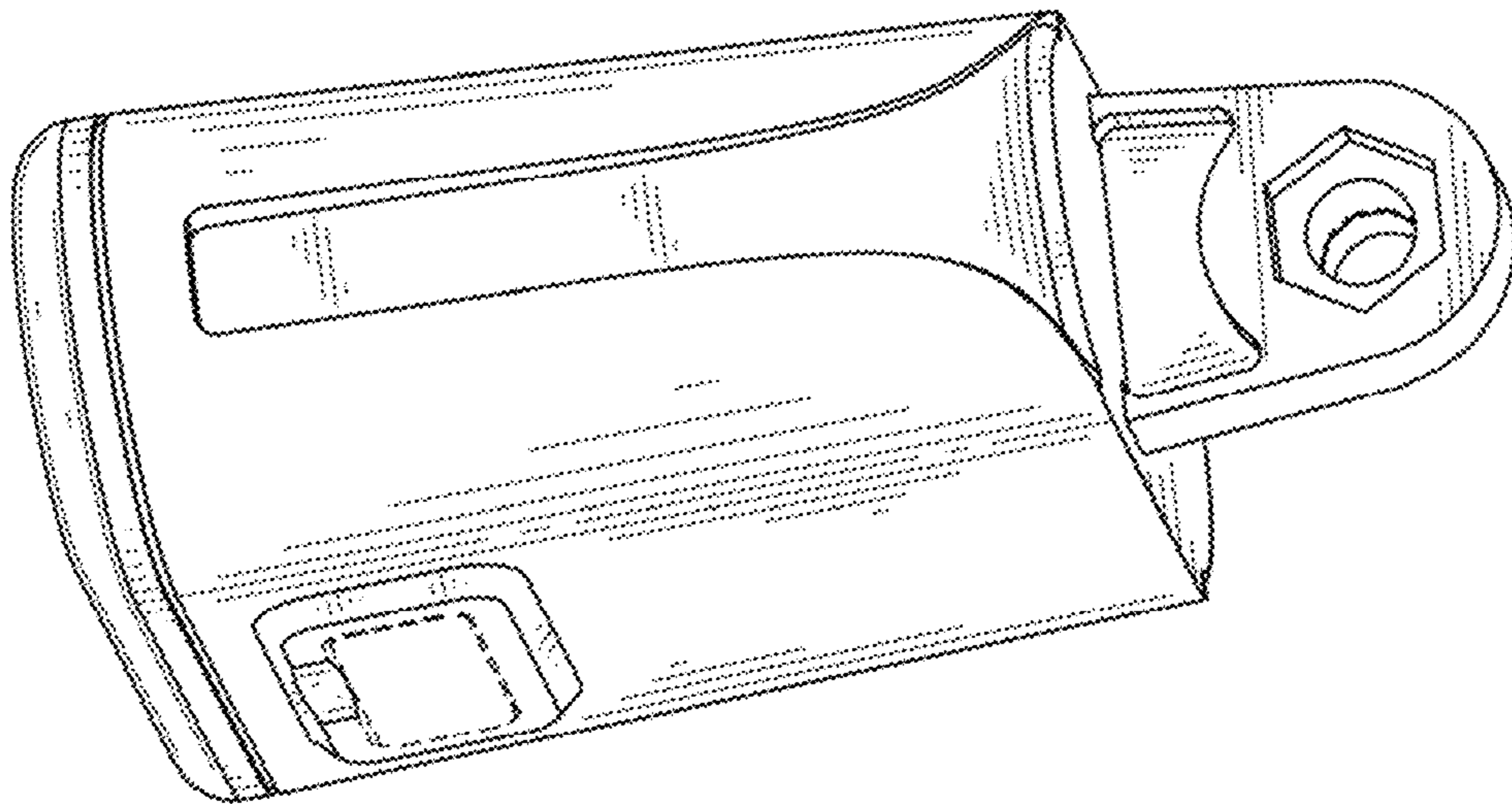


FIG. 2

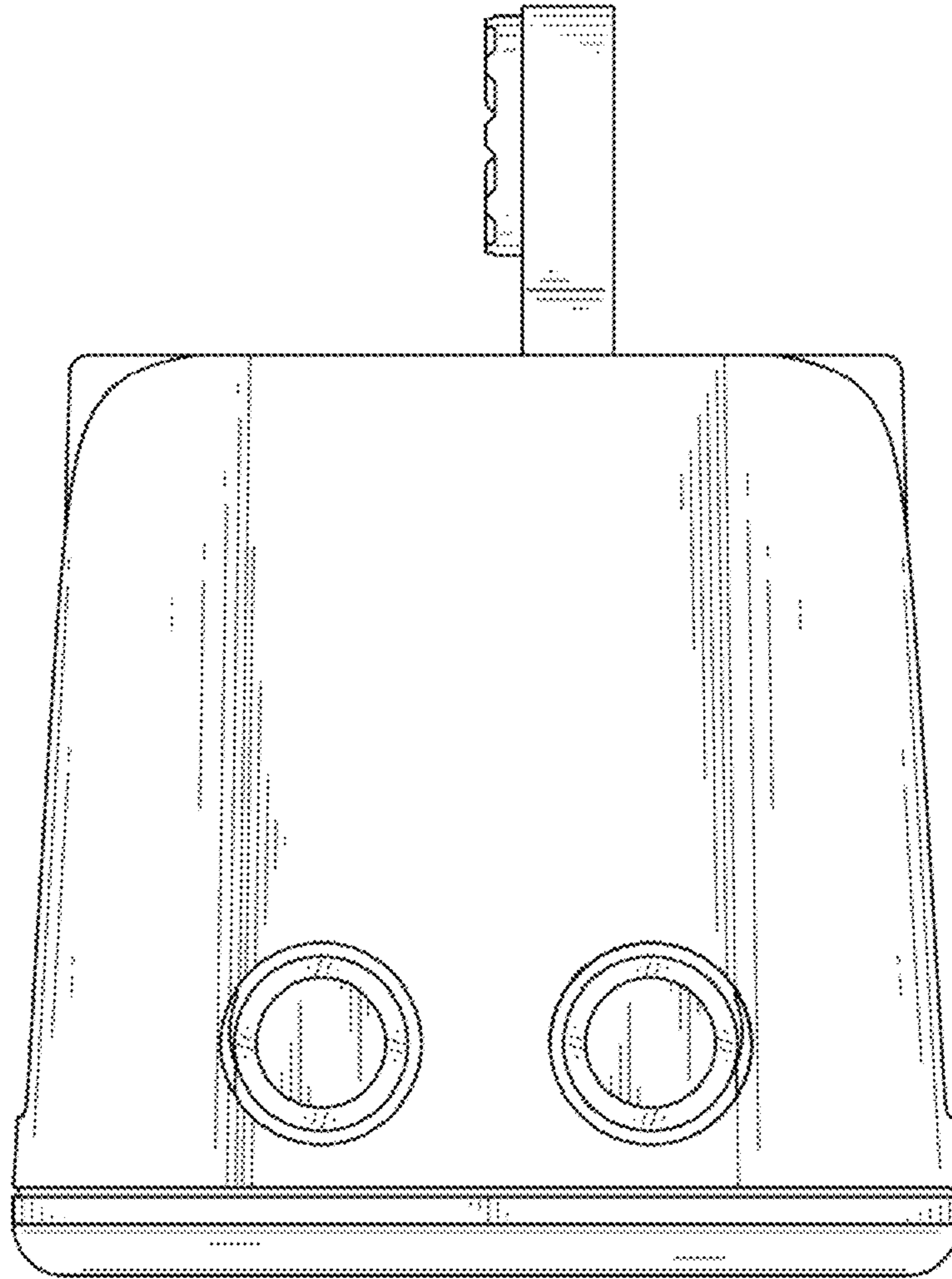


FIG. 3

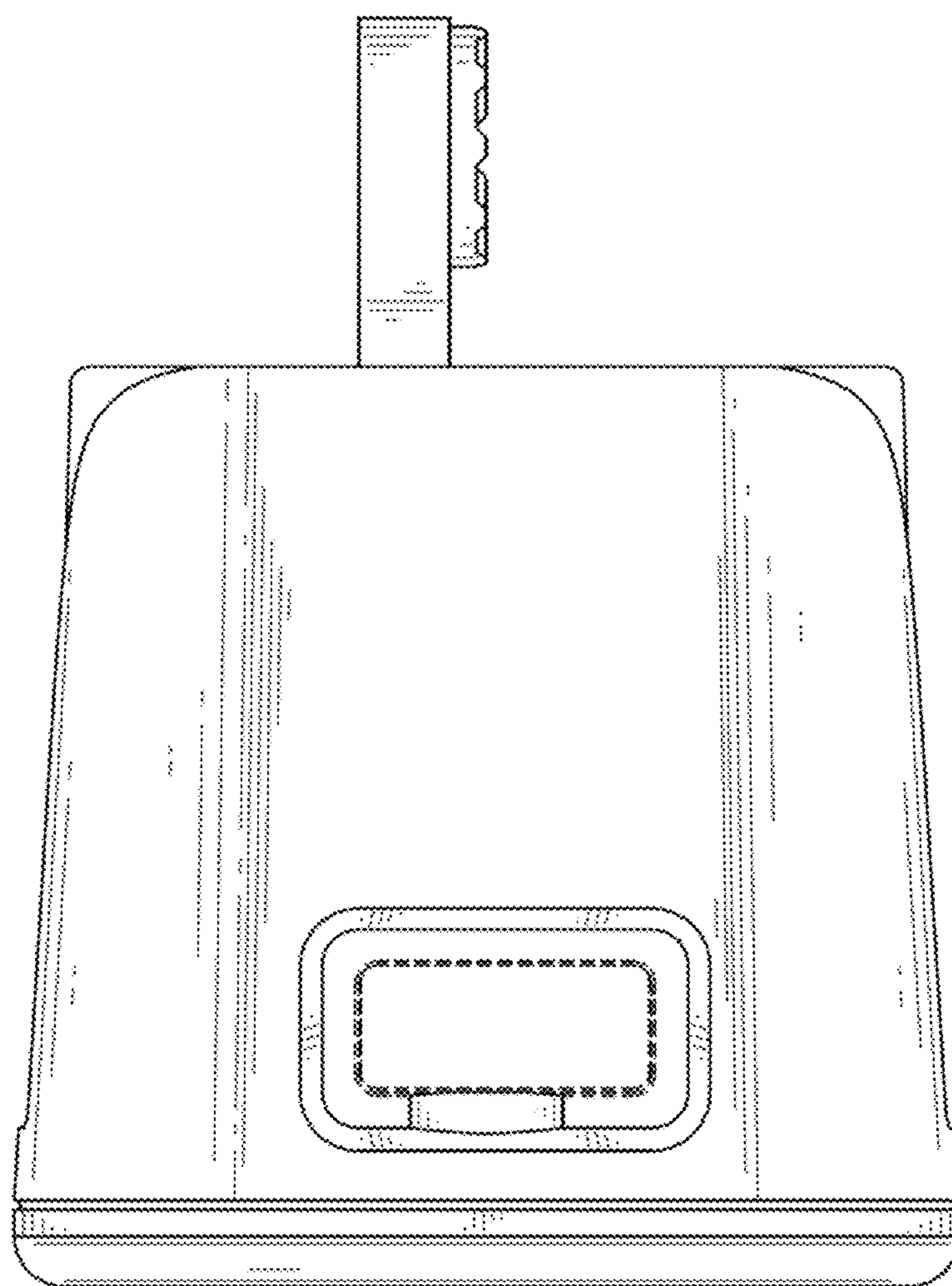


FIG. 4

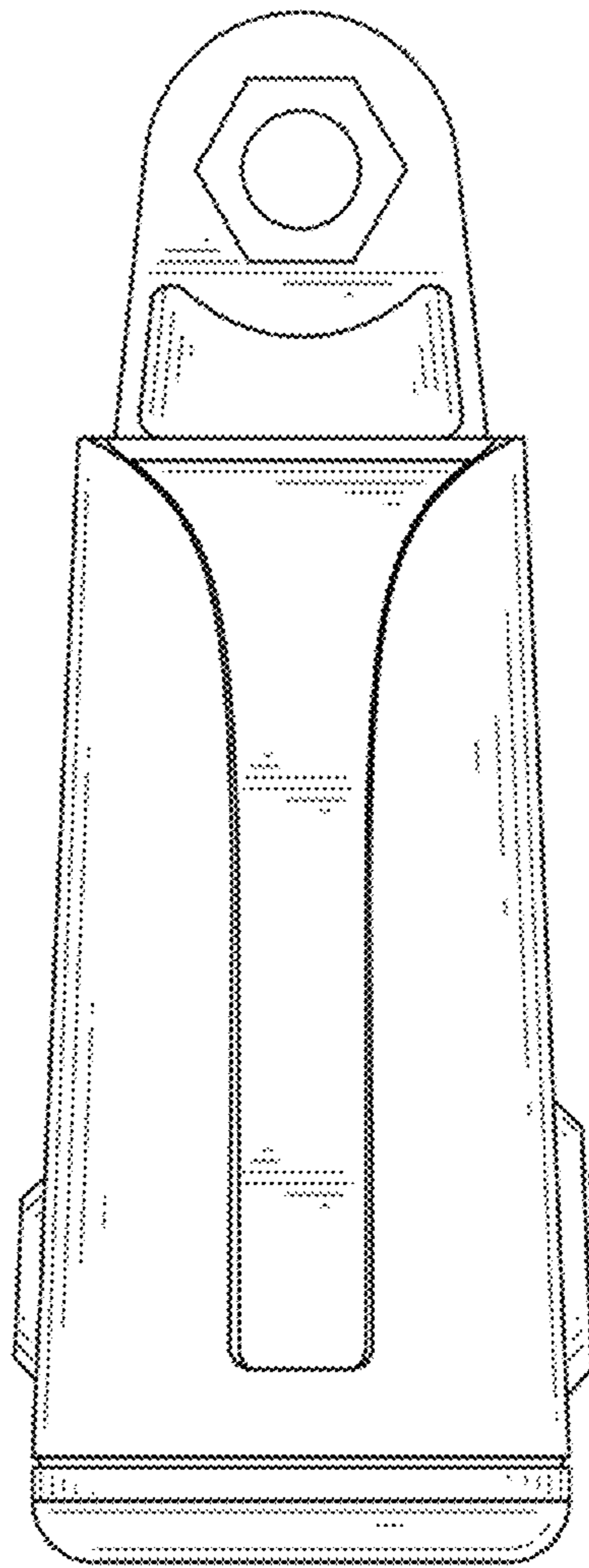


FIG. 5

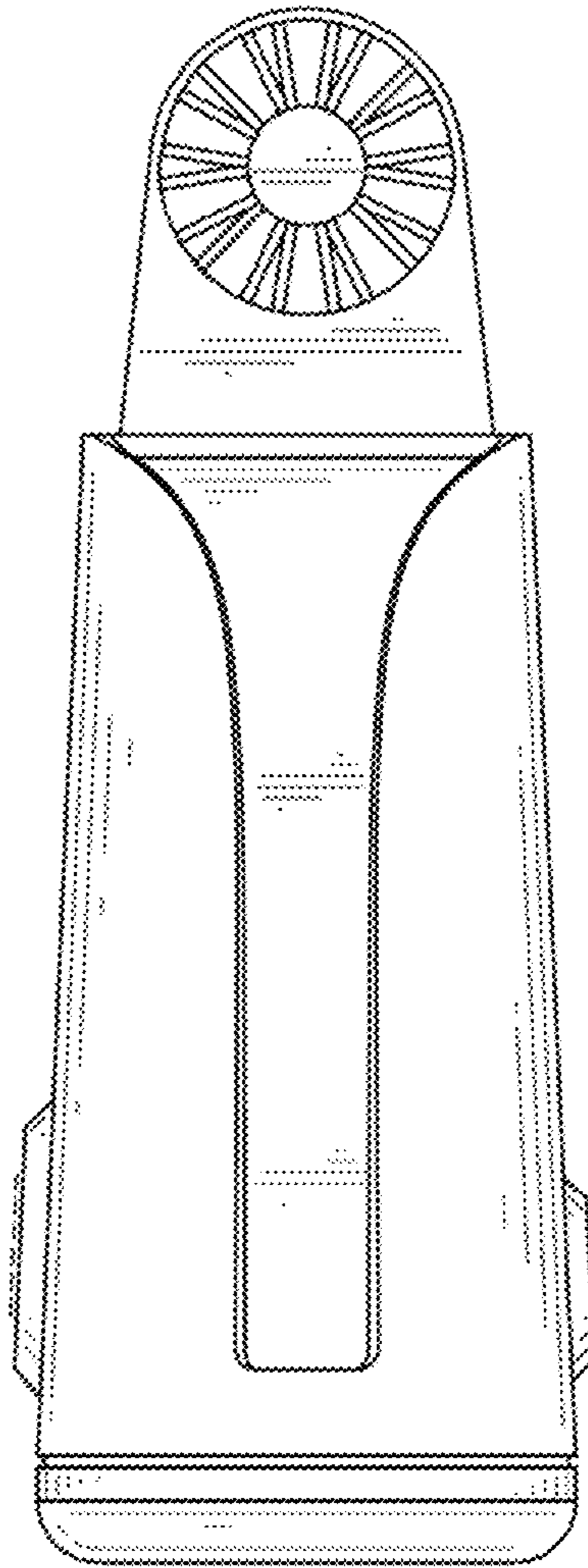


FIG. 6

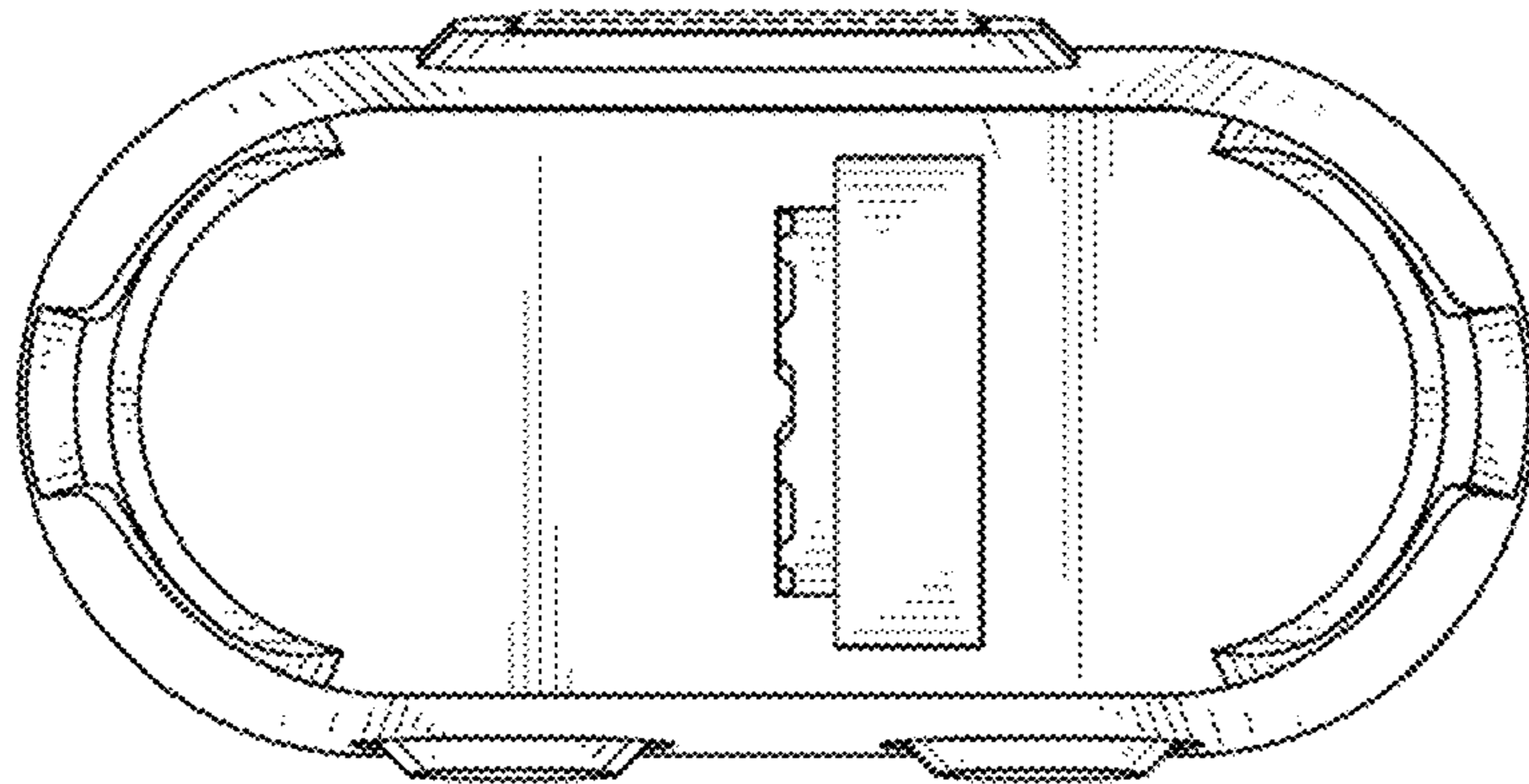


FIG. 7

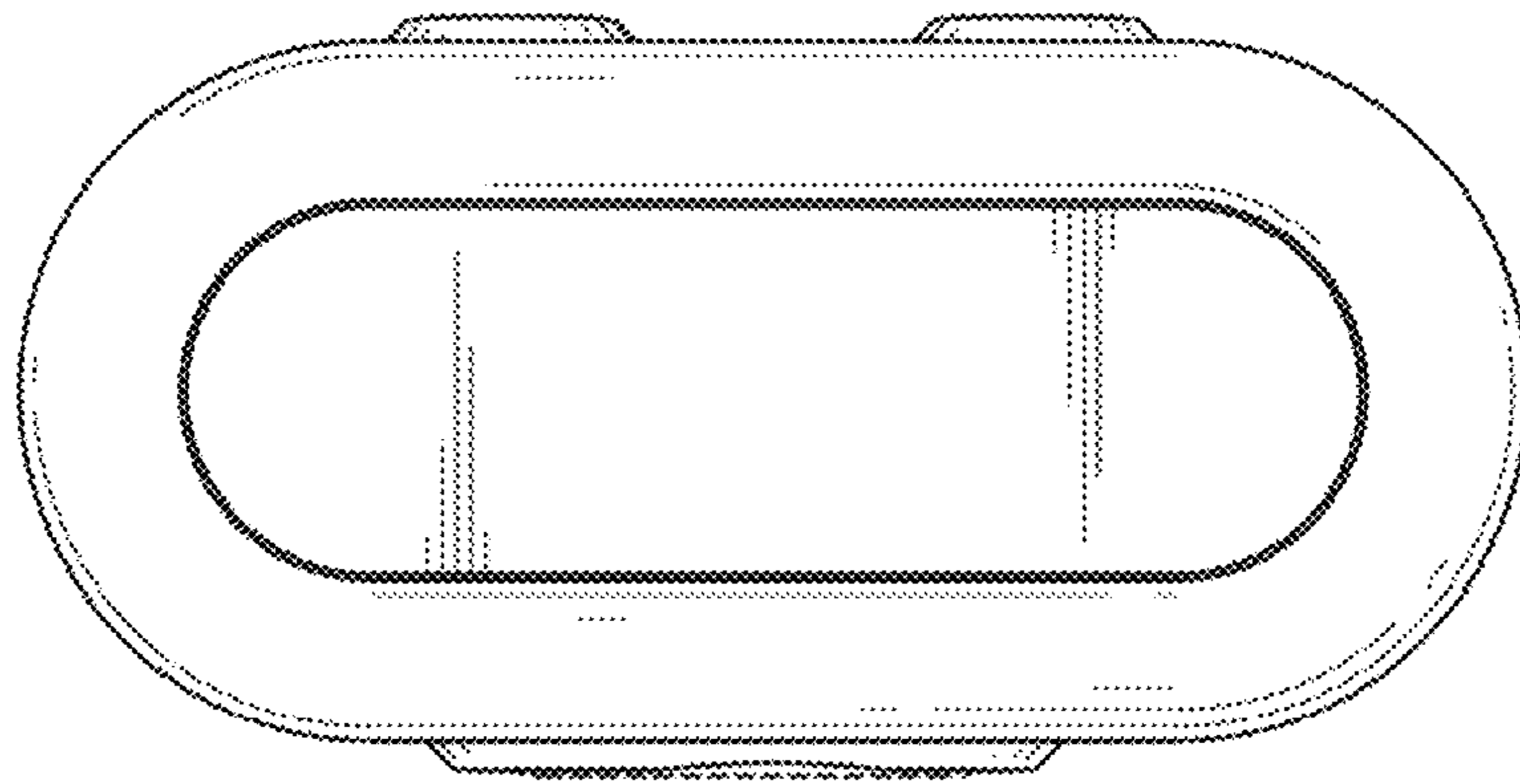


FIG. 8