



US00D825791S

(12) **United States Design Patent**
Patti

(10) **Patent No.:** **US D825,791 S**

(45) **Date of Patent:** **** Aug. 14, 2018**

(54) **SCENTED GEL CANDLE HOLDER**

(71) Applicant: **LT Candle Company, LLC**, Newville, PA (US)

(72) Inventor: **Thomas B Patti**, Clearwater, FL (US)

(73) Assignee: **LT CANDLE COMPANY, LLC**, Newville, PA (US)

(**) Term: **15 Years**

(21) Appl. No.: **29/539,951**

(22) Filed: **Sep. 18, 2015**

(51) **LOC (11) Cl.** **26-01**

(52) **U.S. Cl.**
USPC **D26/9**

(58) **Field of Classification Search**
USPC D26/6, 7, 9, 10, 16, 20, 22; D9/430, D9/454, 414, 516, 560, 715, 719; D7/305, 513, 514, 560, 563, 589, 590, D7/600.1, 601; D11/143; D30/104, 105, D30/117; D24/224
CPC F23D 2900/05001; F23D 3/16; Y10S 206/819; B44F 9/02; B65D 9/00; B65D 9/02; B65D 9/06; C11C 5/02; C11C 5/002; C11C 5/008

See application file for complete search history.

(56) **References Cited**

U.S. PATENT DOCUMENTS

4,937,701 A * 6/1990 Schroder F21S 13/12 362/161
D356,978 S * 4/1995 Rahr D11/143
D356,979 S * 4/1995 Rahr D11/143
D435,100 S * 12/2000 Pesu D23/367
D442,709 S * 5/2001 Klett D26/7
D443,080 S * 5/2001 Klett D26/7

D443,081 S * 5/2001 Klett D26/7
6,435,694 B1 * 8/2002 Bell C11C 5/008 362/161
6,716,026 B1 * 4/2004 Beougher F21V 35/00 431/290
D512,661 S * 12/2005 Morris D11/131
D518,408 S * 4/2006 Harrity D11/131
7,082,714 B1 * 8/2006 Behrens A47G 7/06 47/41.01
D556,512 S * 12/2007 Mansfield D7/509
D570,555 S * 6/2008 Kilroy D30/104
D572,413 S * 7/2008 Kilroy D30/104
D576,752 S * 9/2008 Kubicek D26/20
D580,108 S * 11/2008 Kilroy D30/104
D590,549 S * 4/2009 Kilroy D30/104
D623,780 S * 9/2010 Seum D26/6
D631,700 S * 2/2011 Flick D7/509
D663,163 S * 7/2012 Dick D7/507
D713,100 S * 9/2014 Salgueiro D30/105
9,062,835 B2 * 6/2015 White F21V 35/00
9,706,862 B2 * 7/2017 Kasha A47G 7/06
2008/0254398 A1 * 10/2008 Chadha F23D 3/16 431/291

* cited by examiner

Primary Examiner — Ian Simmons

Assistant Examiner — Keith Frank

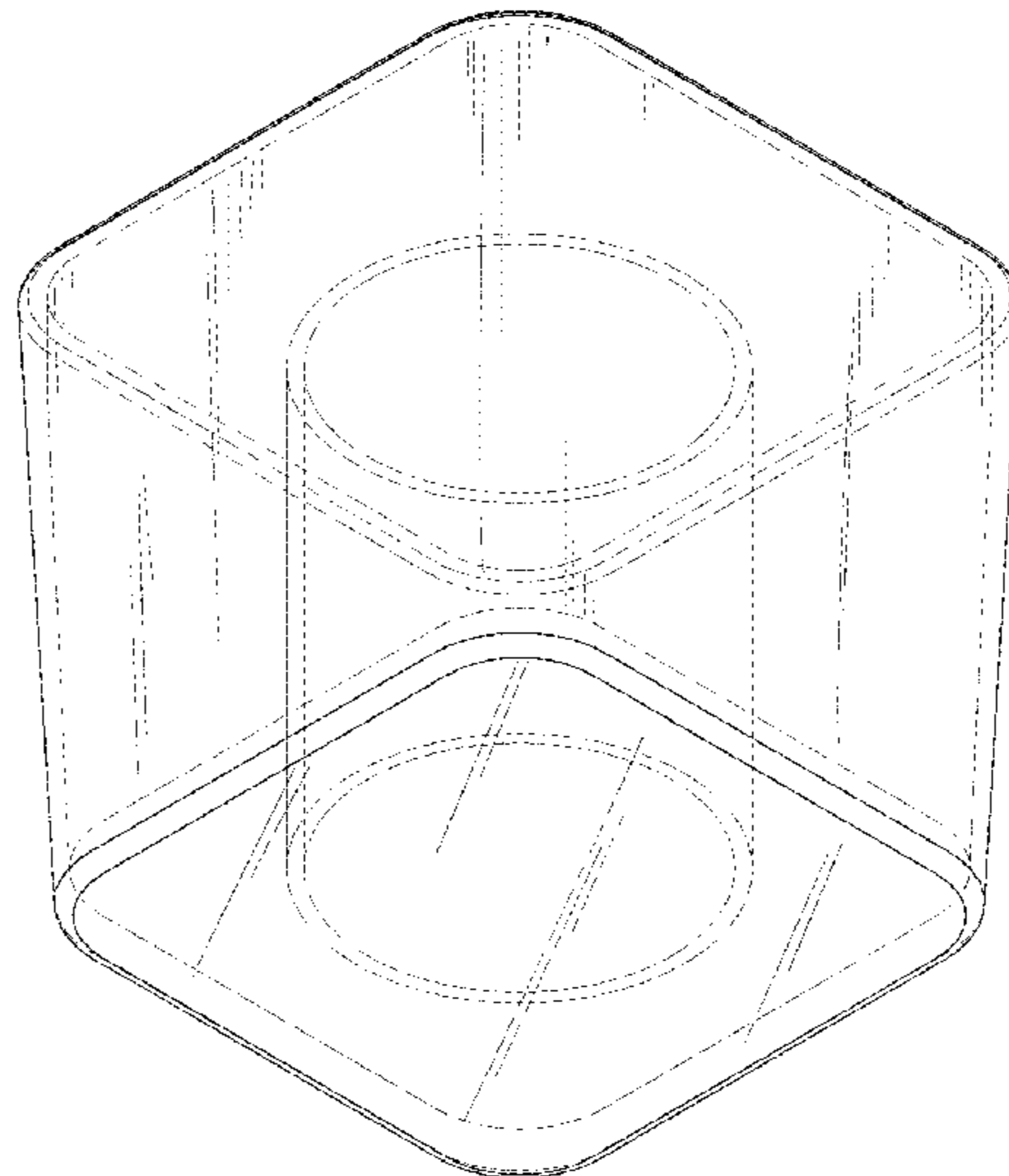
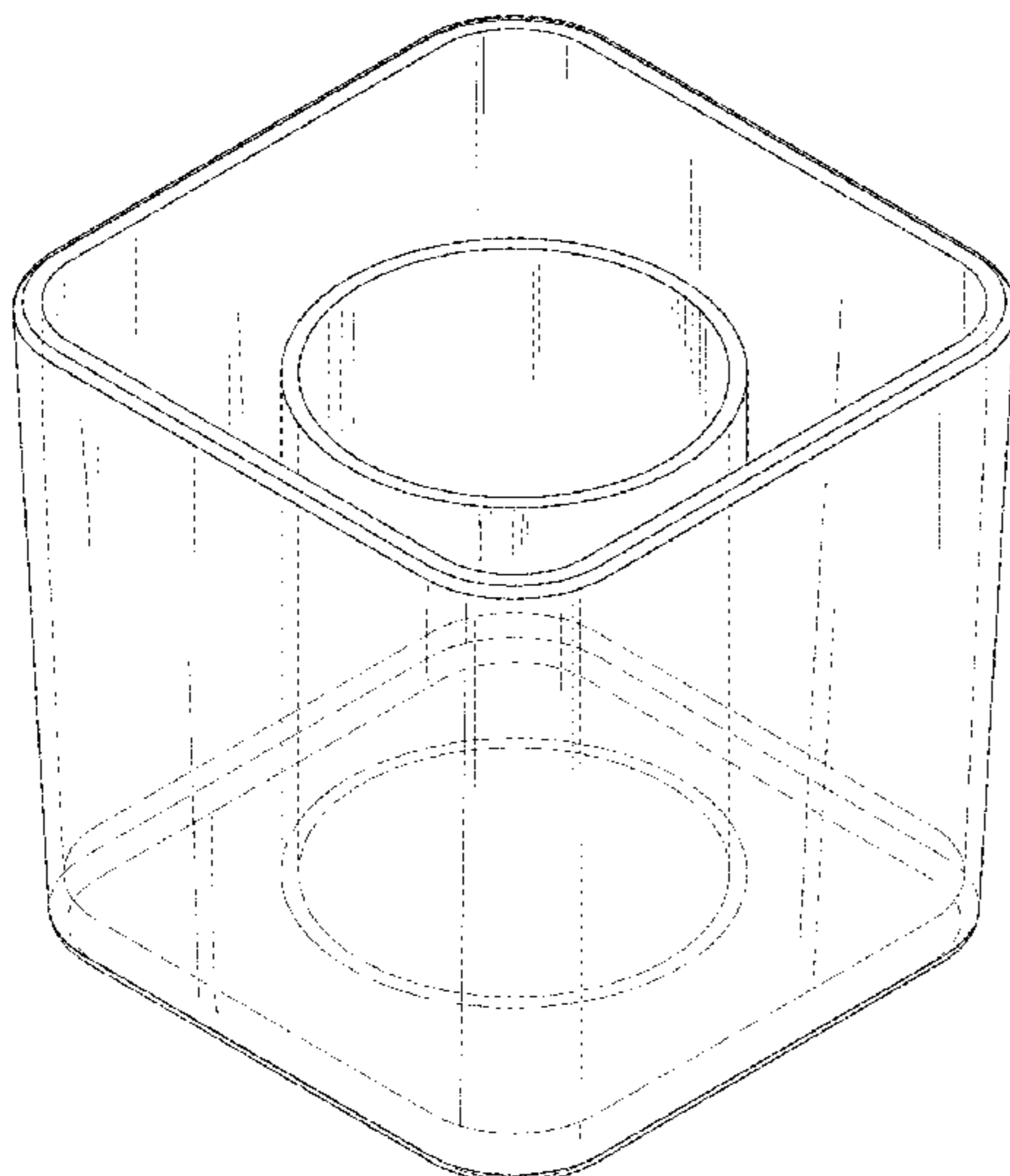
(57) **CLAIM**

The ornamental design for a scented gel candle holder, as shown and described.

DESCRIPTION

FIG. 1 is a top perspective view of a scented gel candle holder showing my new design;
FIG. 2 is a bottom perspective view thereof;
FIG. 3 is a right side elevation view thereof;
FIG. 4 is a left side elevation view thereof;
FIG. 5 is a top plan view thereof; and,
FIG. 6 is a bottom plan view thereof.

1 Claim, 6 Drawing Sheets



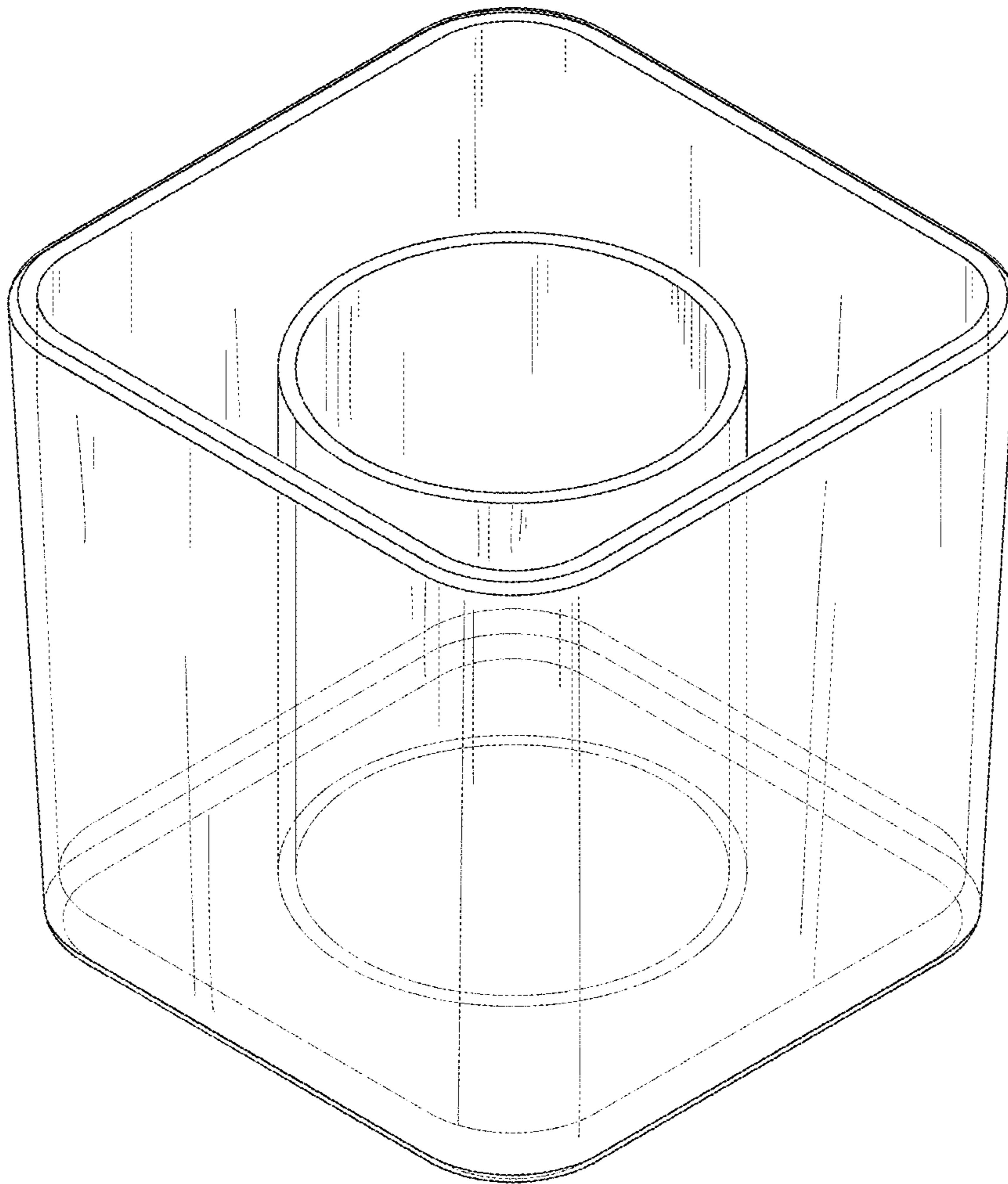


FIG. 1

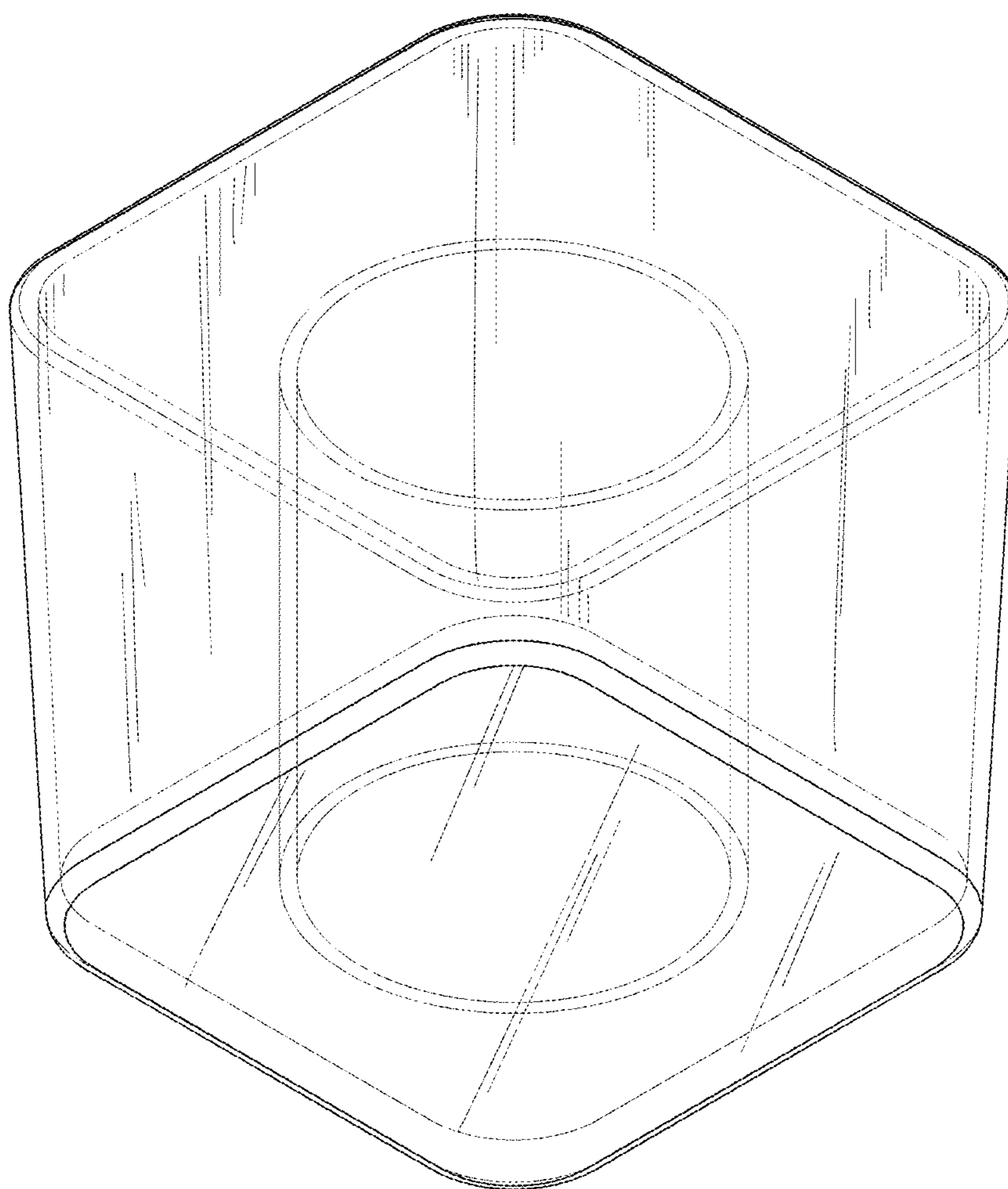


FIG. 2

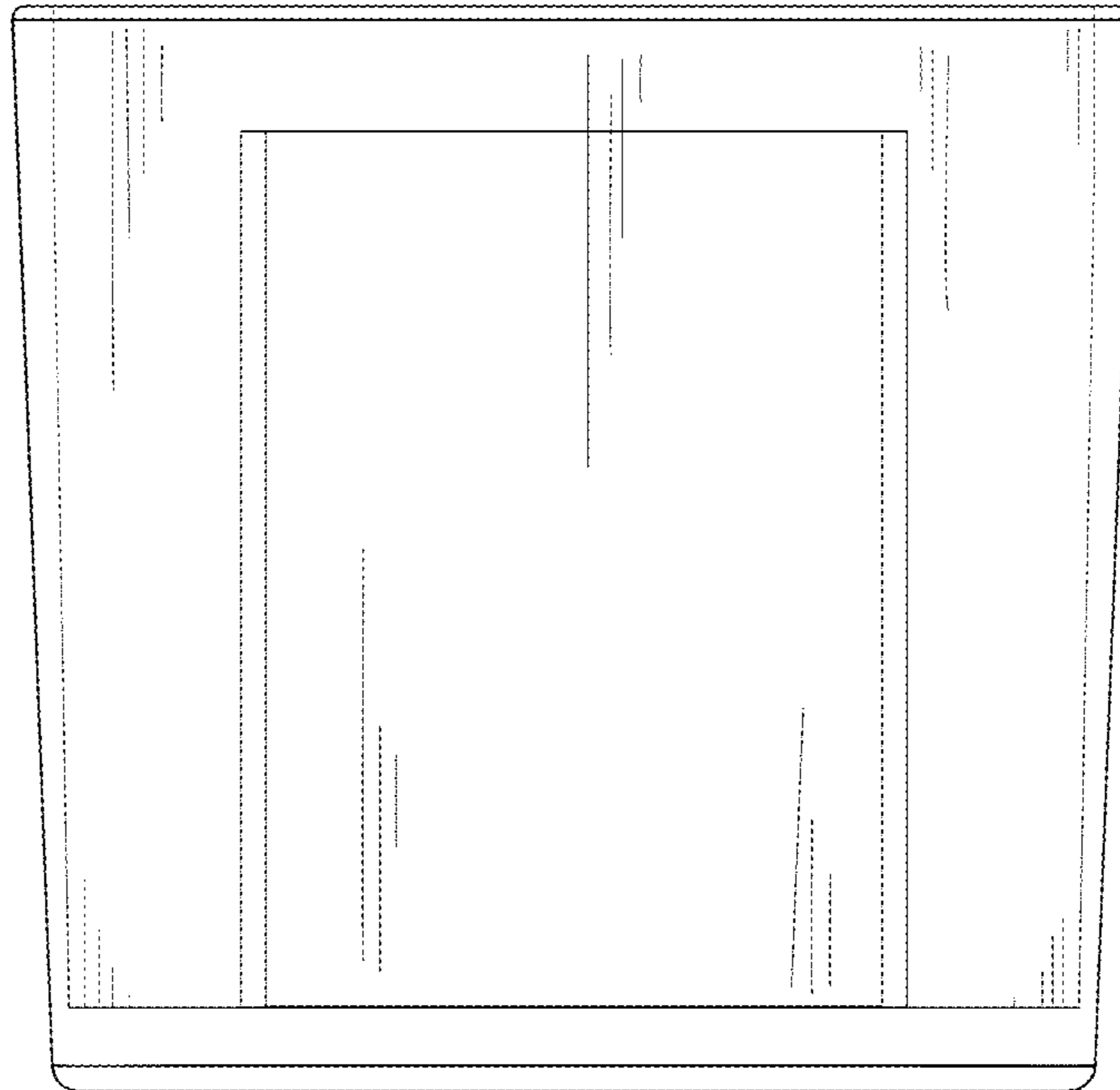


FIG. 3

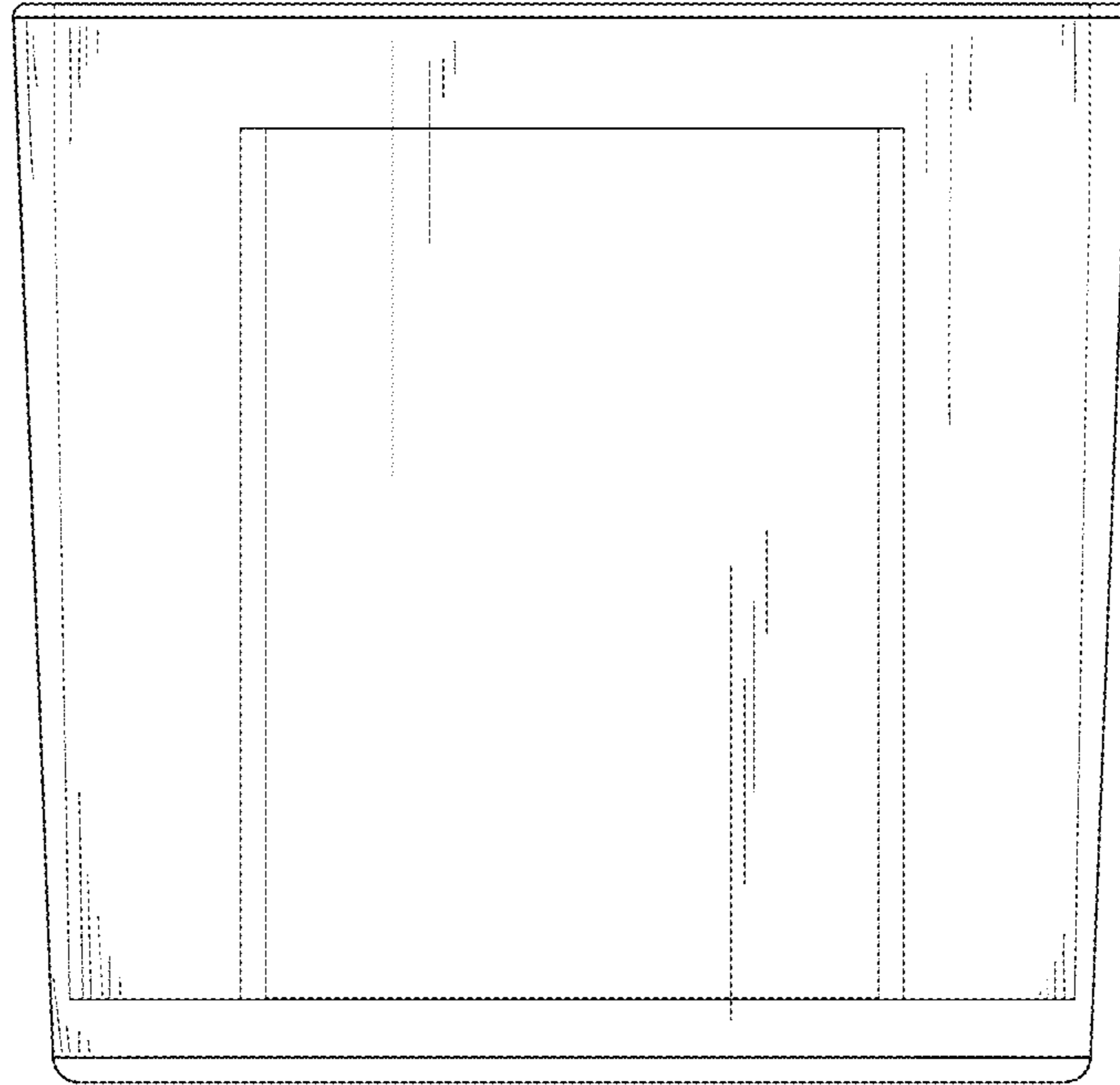


FIG. 4

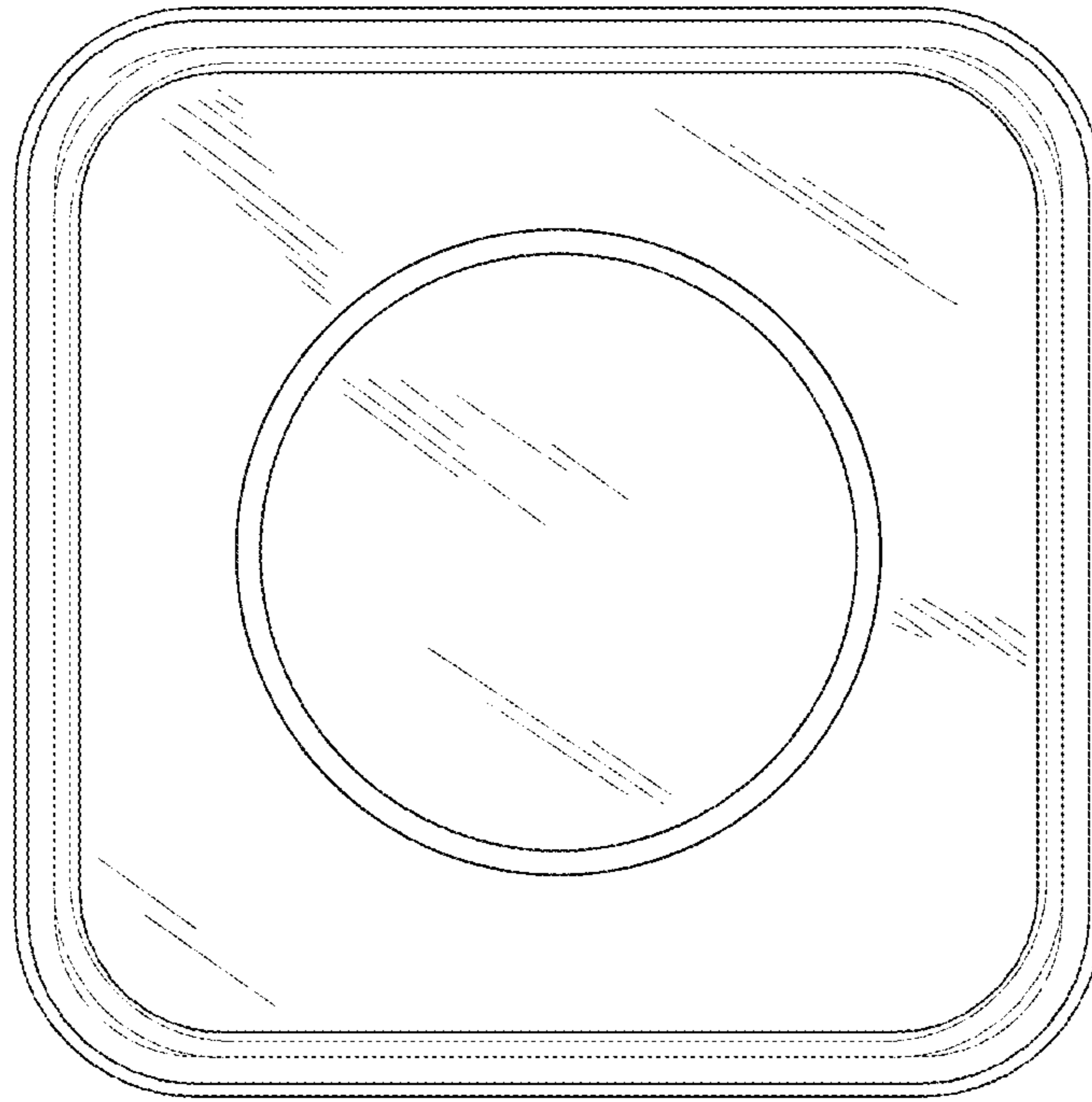


FIG. 5

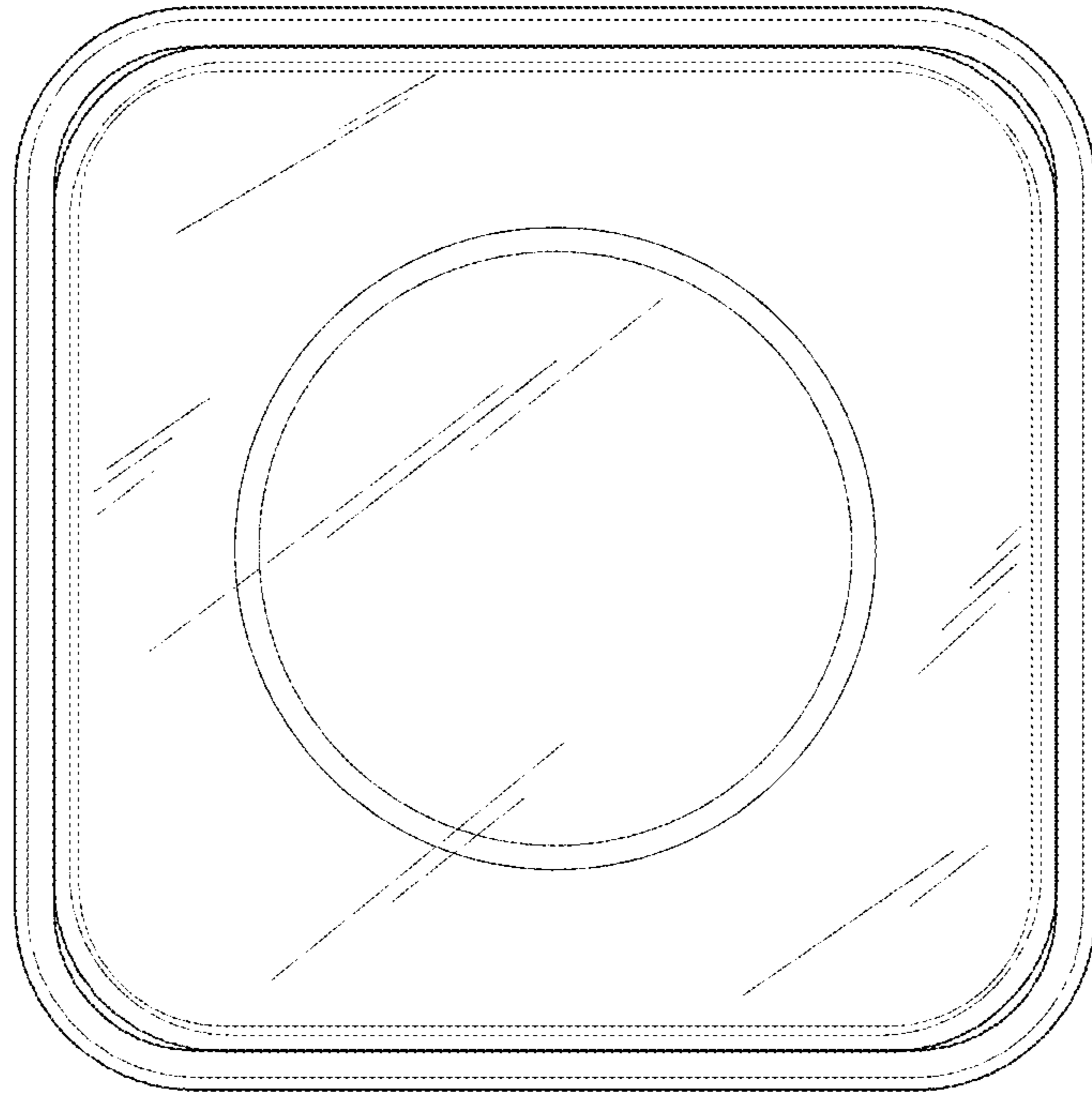


FIG. 6