



US00D825790S

(12) **United States Design Patent**
Moyal

(10) **Patent No.:** **US D825,790 S**

(45) **Date of Patent:** **** Aug. 14, 2018**

- (54) **GEL CANDLE**
- (71) Applicant: **Kimberly L. Moyal**, Northbrook, IL (US)
- (72) Inventor: **Kimberly L. Moyal**, Northbrook, IL (US)
- (**) Term: **15 Years**
- (21) Appl. No.: **29/551,354**
- (22) Filed: **Jan. 13, 2016**

6,210,153 B1 *	4/2001	Freeman	C11C 5/008
				264/271.1
6,214,063 B1 *	4/2001	DeStefano	C10L 5/40
				44/275
6,241,512 B1 *	6/2001	Freeman	C11C 5/002
				431/291
D461,916 S *	8/2002	Araujo	D26/6
6,435,694 B1 *	8/2002	Bell	C11C 5/008
				362/161
D465,037 S *	10/2002	McCoy	D26/11
D699,872 S *	2/2014	Karpowicz	D26/22
D750,814 S *	3/2016	Moyal	D26/22
D767,800 S *	9/2016	Moyal	D26/22
D787,096 S *	5/2017	Moyal	D26/22

* cited by examiner

Related U.S. Application Data

- (63) Continuation-in-part of application No. 29/483,311, filed on Feb. 27, 2014.
- (51) **LOC (11) Cl.** **15-01**
- (52) **U.S. Cl.**
USPC **D26/6; D26/22**
- (58) **Field of Classification Search**
USPC D26/6-23; 431/299, 125, 126, 292, 289; D11/131, 131.1, 157; 44/268
CPC F21V 35/00; F21V 35/003; F21V 21/06; F21V 15/01; F21V 1/00; F21V 21/0824; F21V 19/02; F21V 21/00; F21V 21/005; F21V 21/02; F21V 21/08; F21V 21/0808; F21V 21/0832; F21V 21/088; F21V 21/116
See application file for complete search history.

(56) **References Cited**

U.S. PATENT DOCUMENTS

D411,891 S	7/1999	Bell et al.	
D423,694 S *	4/2000	Ruffolo D26/7
D424,219 S *	5/2000	Toscano D26/7
D425,219 S *	5/2000	Klett D26/7
D425,220 S *	5/2000	Klett D26/16
D425,637 S *	5/2000	Klett D26/7
D426,004 S *	5/2000	Toscano D26/7

Primary Examiner — T. Chase Nelson

Assistant Examiner — Ania Aman

(74) *Attorney, Agent, or Firm* — Tracy Jong Law Firm; Tracy P. Jong; Cheng Ning Jong

(57) **CLAIM**

The ornamental design for gel candle, as shown and described.

DESCRIPTION

FIG. 1 is a front perspective view of a gel candle showing my new design, wherein grape leaves and grapes are disposed within the votive vessel.

FIG. 2 is a right side perspective view thereof.

FIG. 3 is a rear perspective view thereof.

FIG. 4 is a left side perspective view thereof.

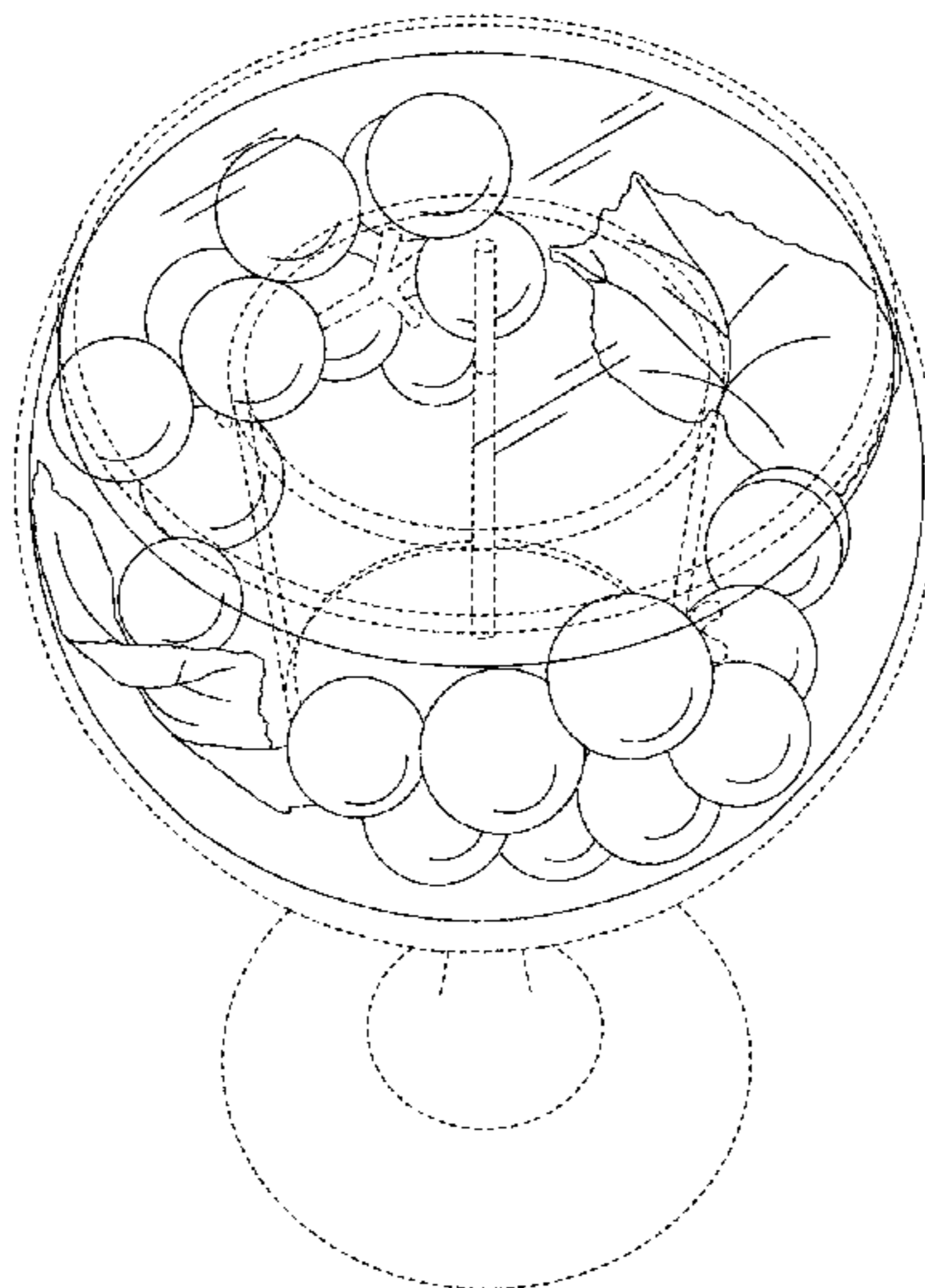
FIG. 5 is a top rear perspective view thereof.

FIG. 6 is a top front perspective view thereof; and,

FIG. 7 is a top perspective view thereof.

The single dashed lines represent outer portions of a gel candle, an inner vessel, a wick and vines connecting grapes and form no part of the claim. The characteristic feature of the design resides with the gel candle having materials embedded therein.

1 Claim, 7 Drawing Sheets



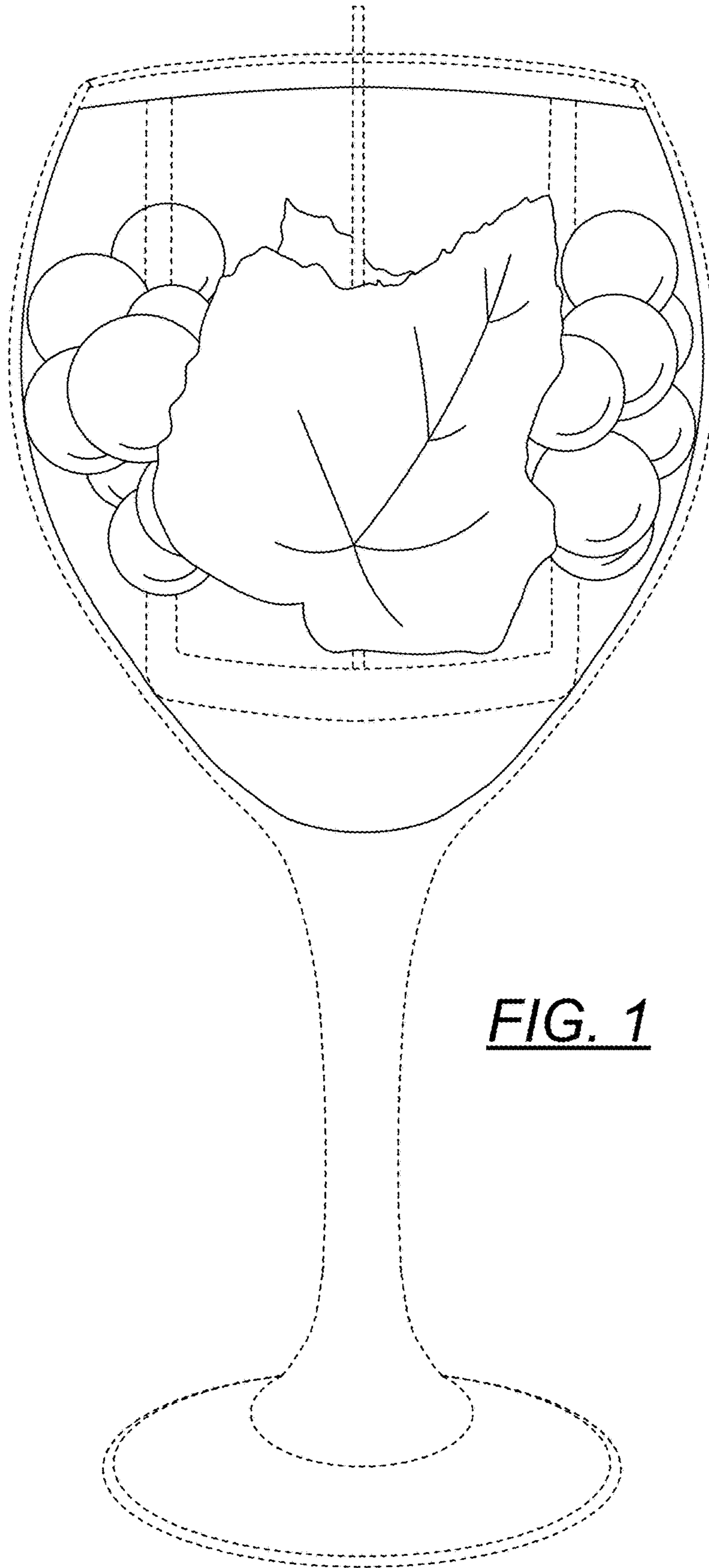


FIG. 1

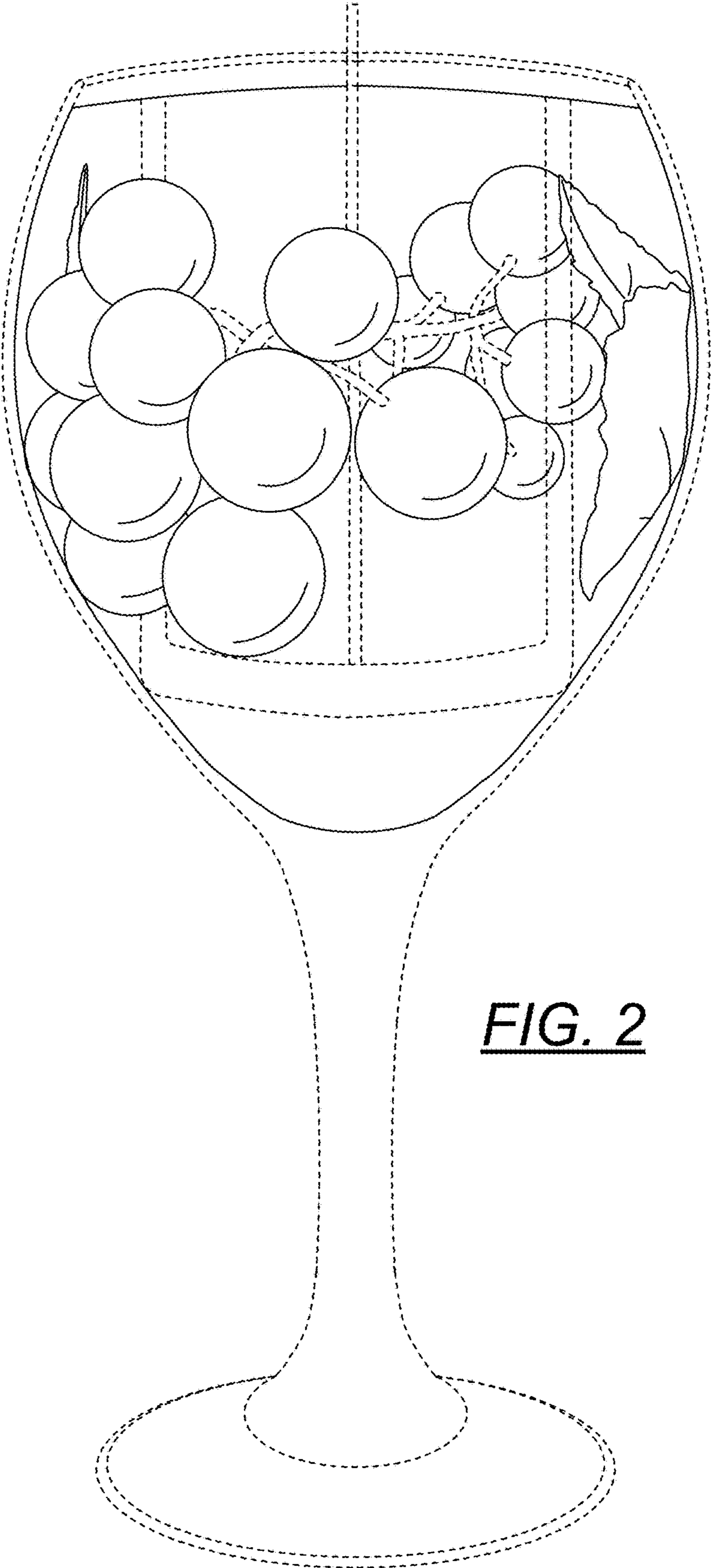


FIG. 2

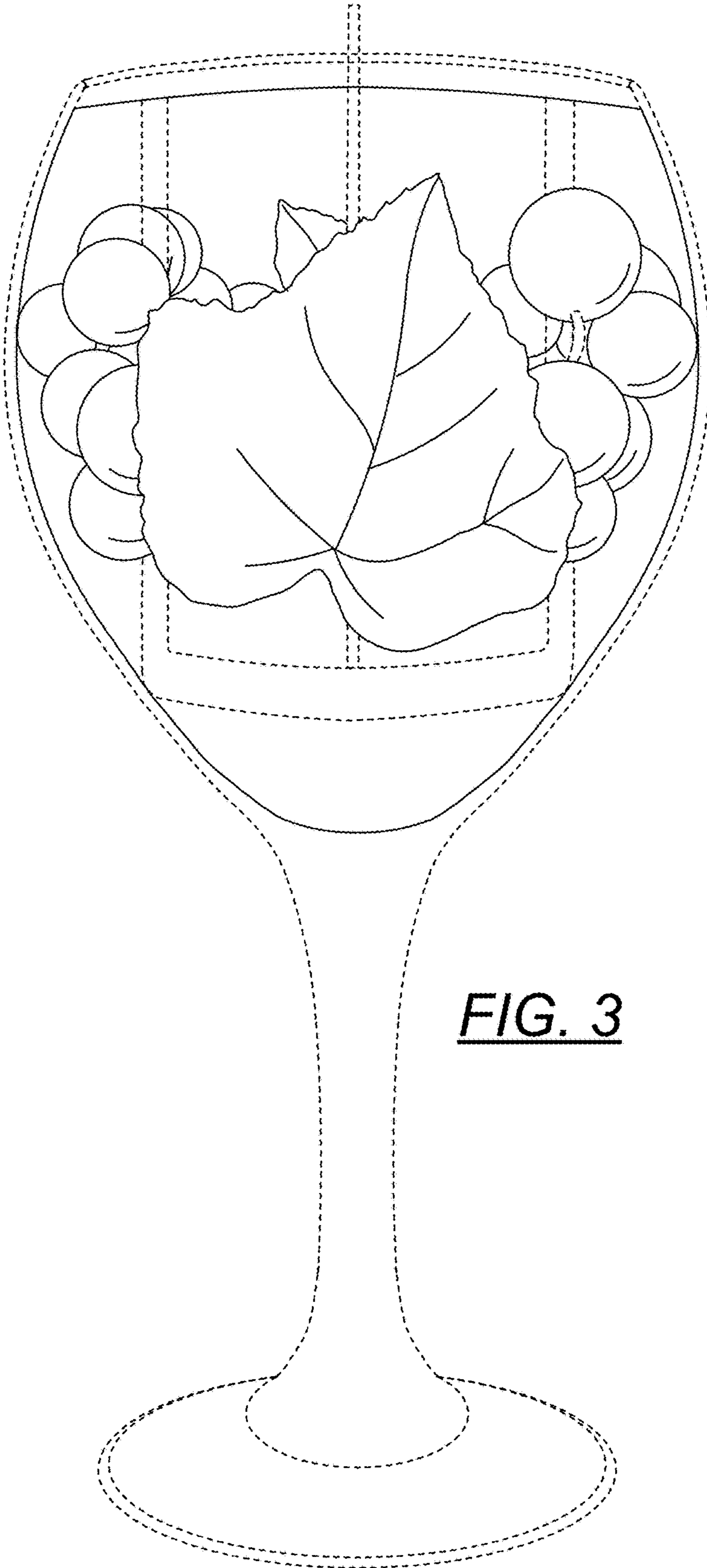


FIG. 3

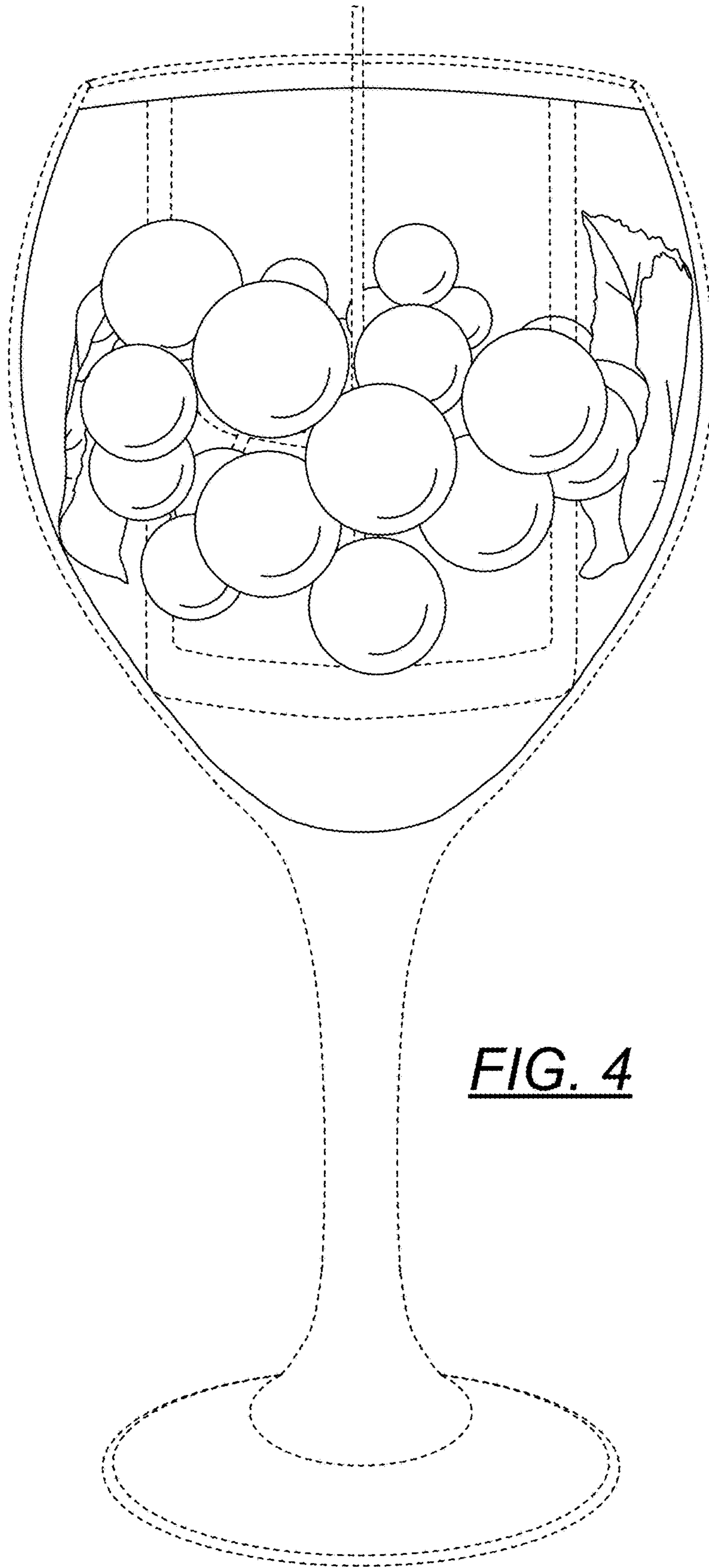


FIG. 4

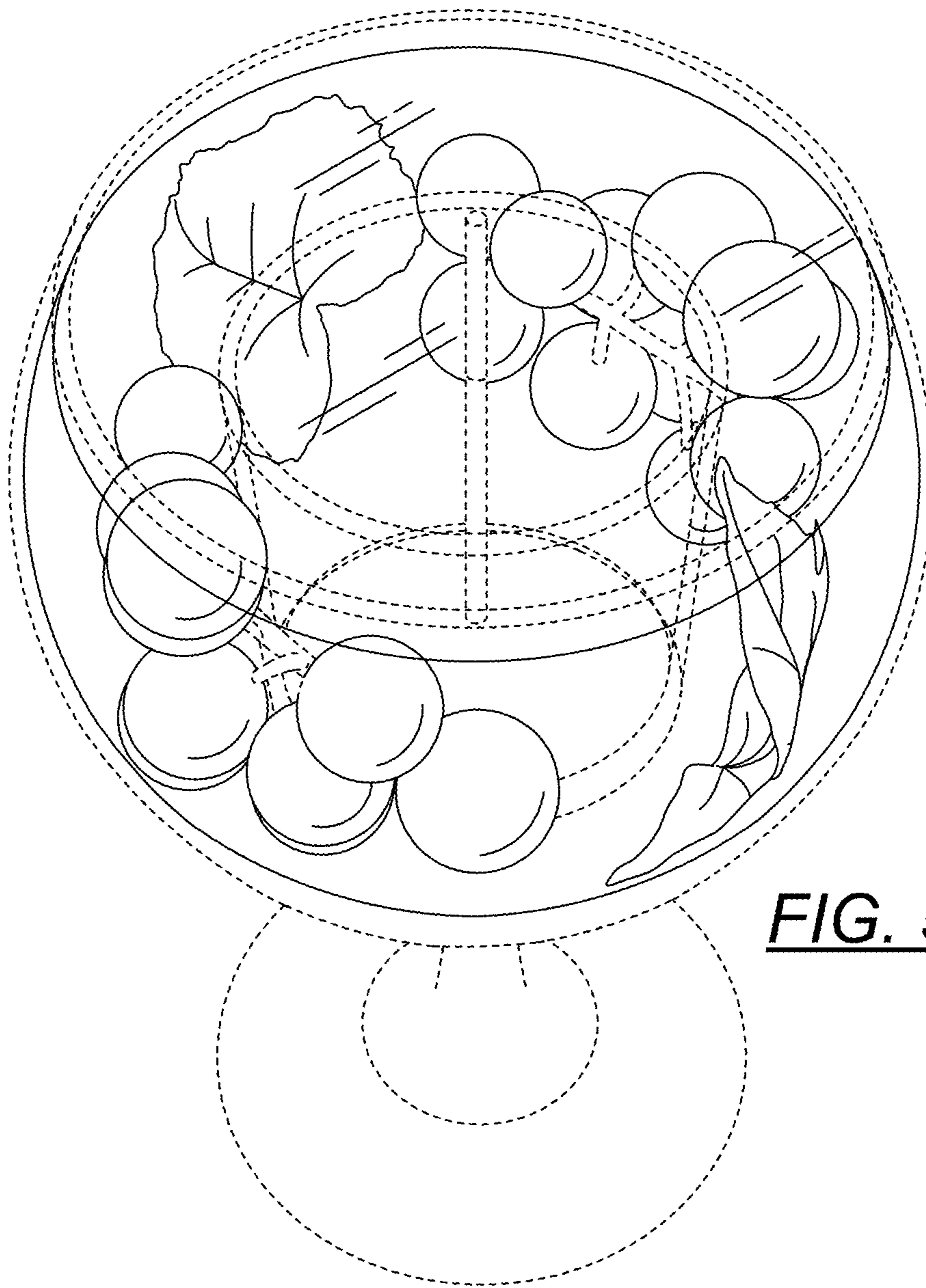


FIG. 5

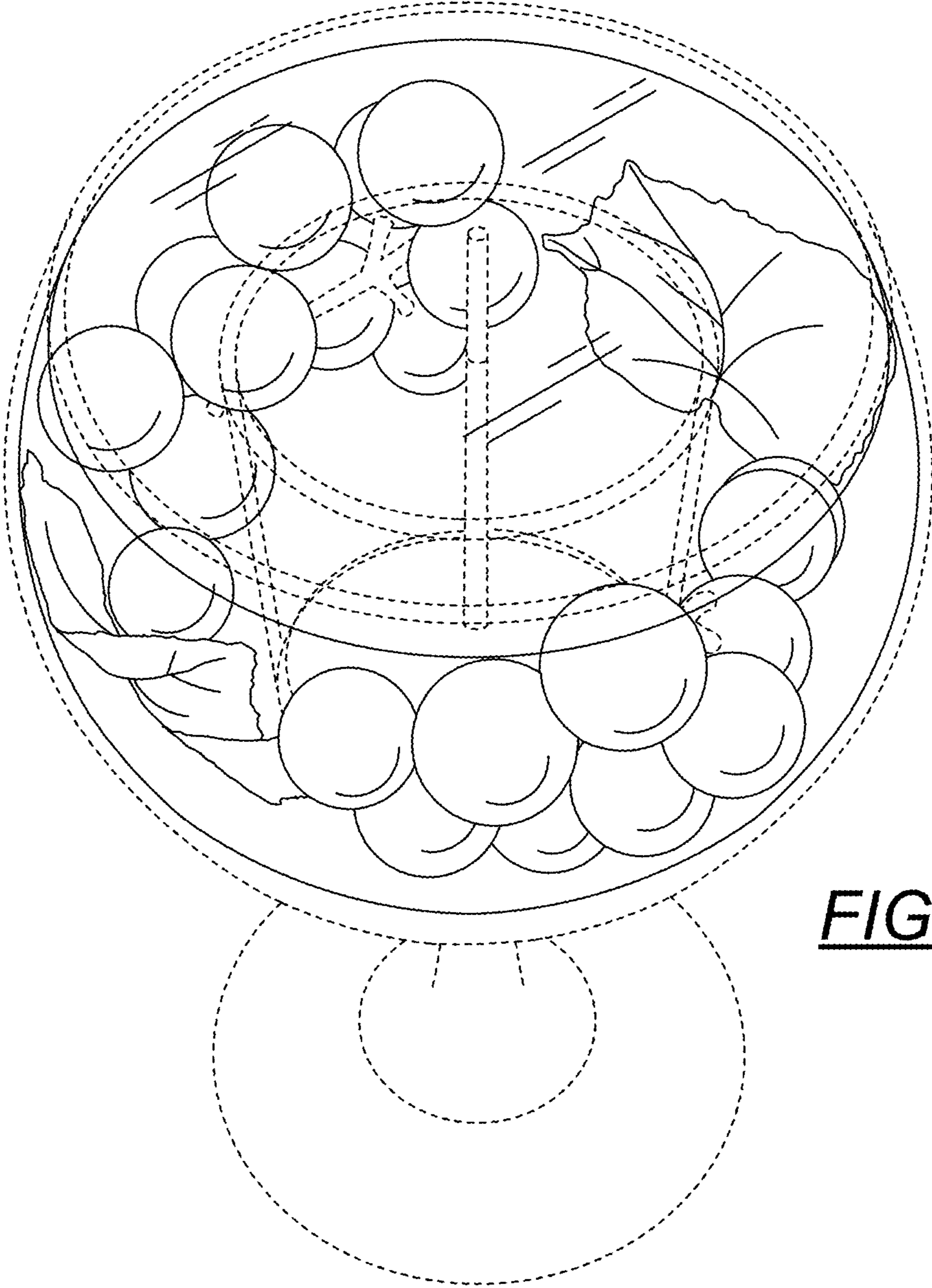


FIG. 6

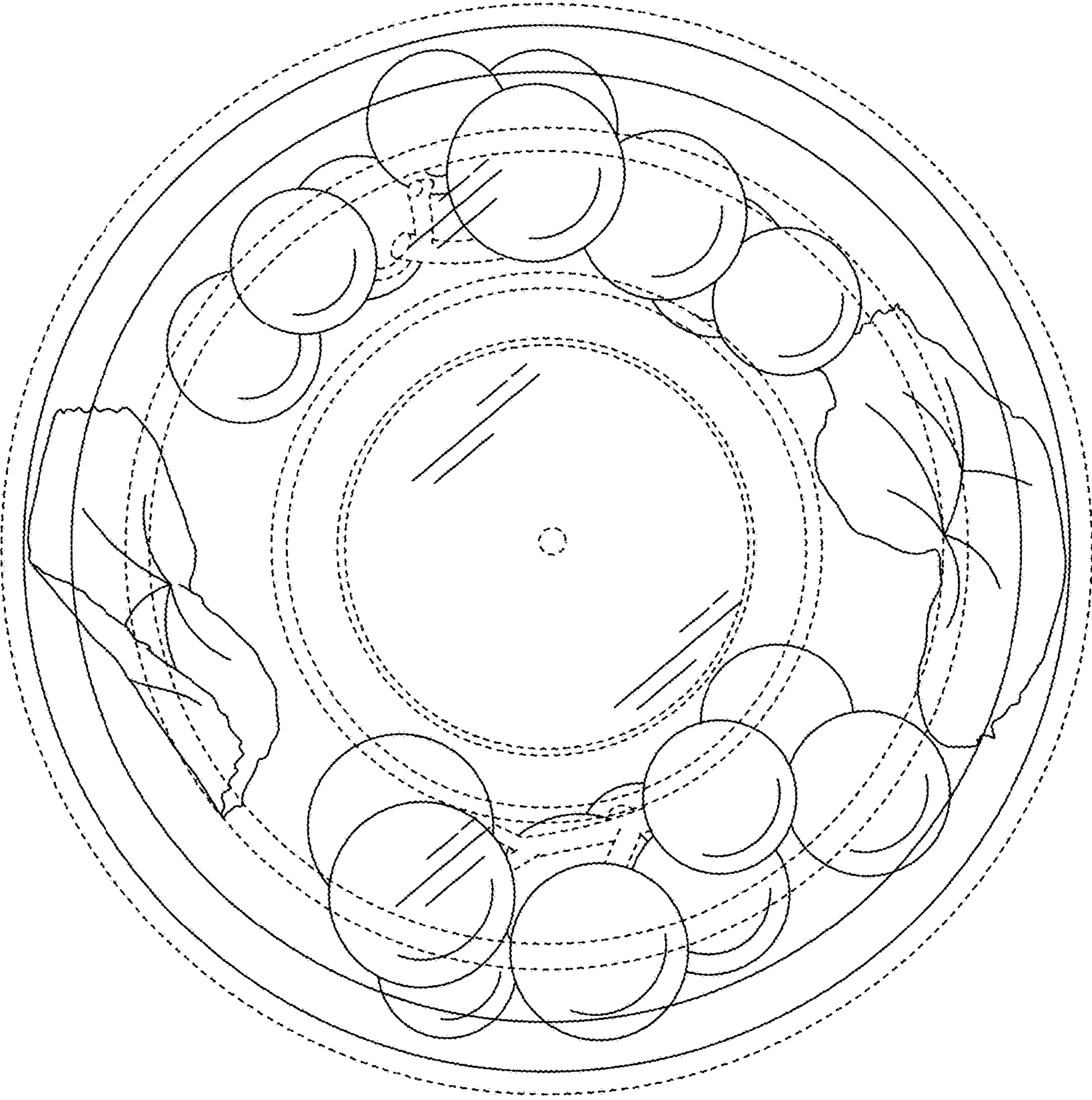


FIG. 7