



US00D825789S

(12) **United States Design Patent**  
**Creasman et al.**

(10) **Patent No.:** **US D825,789 S**  
(45) **Date of Patent:** **\*\* Aug. 14, 2018**

(54) **PORTION OF A LED LAMP**

(71) Applicant: **Cree, Inc.**, Durham, NC (US)

(72) Inventors: **Ethan Creasman**, Raleigh, NC (US);  
**Nathan Ray Snell**, Raleigh, NC (US);  
**Randall Levy Bernard**, Cary, NC (US);  
**William L. Dungan**, Cary, NC (US);  
**Bart P. Reier**, Cary, NC (US);  
**David Power**, Morrisville, NC (US)

(73) Assignee: **Cree, Inc.**, Durham, NC (US)

(\*\*) Term: **15 Years**

(21) Appl. No.: **29/625,257**

(22) Filed: **Nov. 8, 2017**

**Related U.S. Application Data**

(62) Division of application No. 29/569,009, filed on Jun. 23, 2016, now Pat. No. Des. 805,660.

(51) **LOC (11) Cl.** ..... **26-04**

(52) **U.S. Cl.**  
USPC ..... **D26/2**

(58) **Field of Classification Search**  
USPC ..... D26/1-4; 313/313, 315, 316, 317, 318,  
313/493; 315/52, 53, 56, 57, 58  
(Continued)

(56) **References Cited**

**U.S. PATENT DOCUMENTS**

D528,227 S \* 9/2006 Chou ..... D26/2  
D560,286 S \* 1/2008 Maxik ..... D26/2  
(Continued)

**OTHER PUBLICATIONS**

Ilumi, The World's Smartest LED Smartbulb with Bluetooth Mesh,  
<http://ilumi.co/>.

*Primary Examiner* — Marcus Jackson

(74) *Attorney, Agent, or Firm* — Dennis J. Williamson;  
Moore & Van Allen PLLC

(57) **CLAIM**

We claim the ornamental designs for a portion of a LED lamp, as shown and described.

**DESCRIPTION**

FIG. 1 is a front view showing an embodiment of our new design for a portion of a LED lamp;  
FIG. 2 is a right side view of the portion of a LED lamp of FIG. 1;  
FIG. 3 is a left side view of the portion of a LED lamp of FIG. 1;  
FIG. 4 is a top view of the portion of a LED lamp of FIG. 1;  
FIG. 5 is a bottom view of the portion of a LED lamp of FIG. 1;  
FIG. 6 is a bottom perspective view of the portion of a LED lamp of FIG. 1;  
FIG. 7 is a top perspective view of the portion of a LED lamp of FIG. 1;  
FIG. 8 is a front view showing another embodiment of our new design for a portion of a LED lamp;  
FIG. 9 is a right side view of the portion of a LED lamp of FIG. 8;  
FIG. 10 is a left side view of the portion of a LED lamp of FIG. 8;  
FIG. 11 is a top view of the portion of a LED lamp of FIG. 8;  
FIG. 12 is a bottom view of the portion of a LED lamp of FIG. 8;  
FIG. 13 is a bottom perspective view of the portion of a LED lamp of FIG. 8;  
FIG. 14 is a top perspective view of the portion of a LED lamp of FIG. 8;  
FIG. 15 is a front view showing still another embodiment of our new design for a portion of a LED lamp;  
FIG. 16 is a right side view of the portion of a LED lamp of FIG. 15;  
FIG. 17 is a left side view of the portion of a LED lamp of FIG. 15;

(Continued)

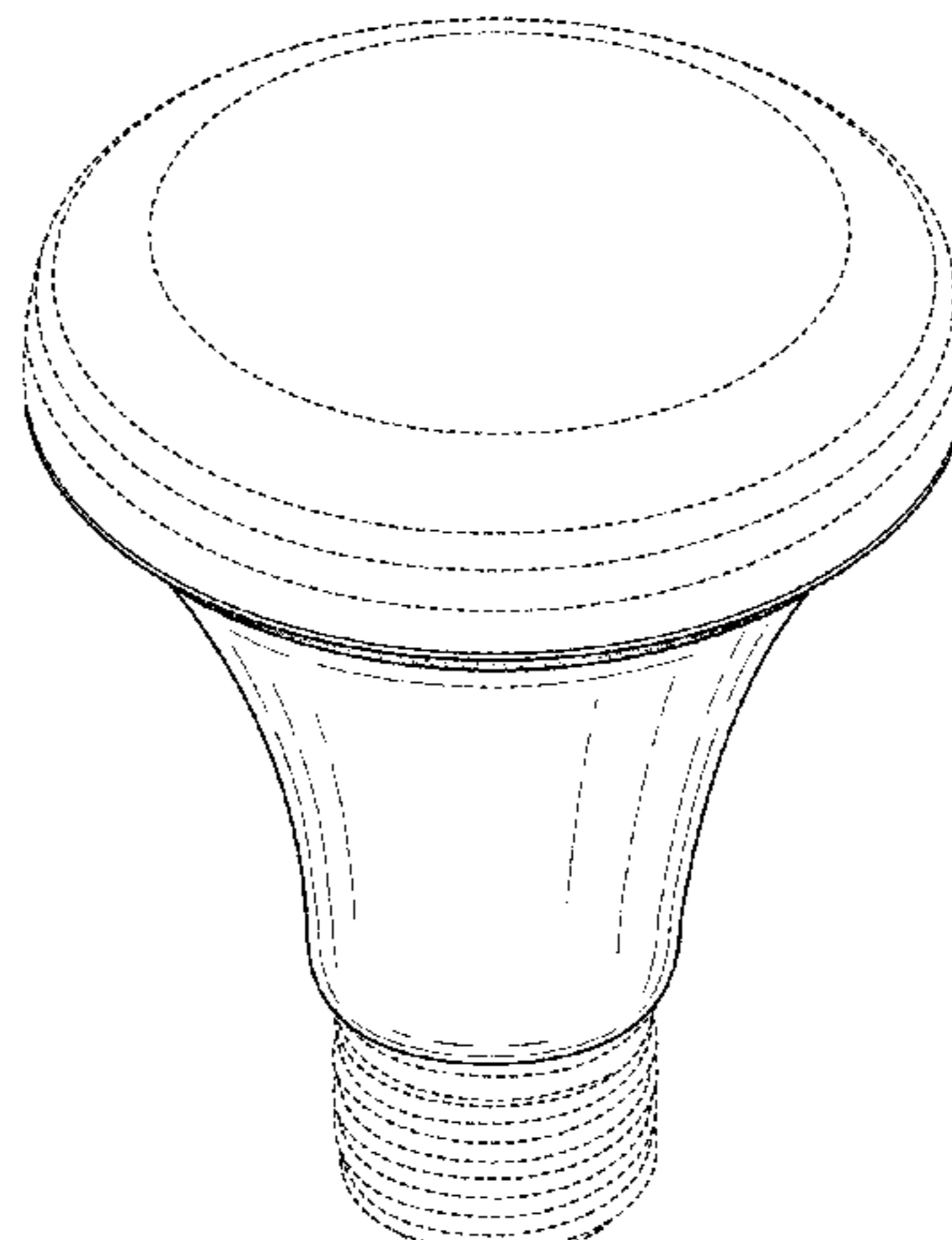
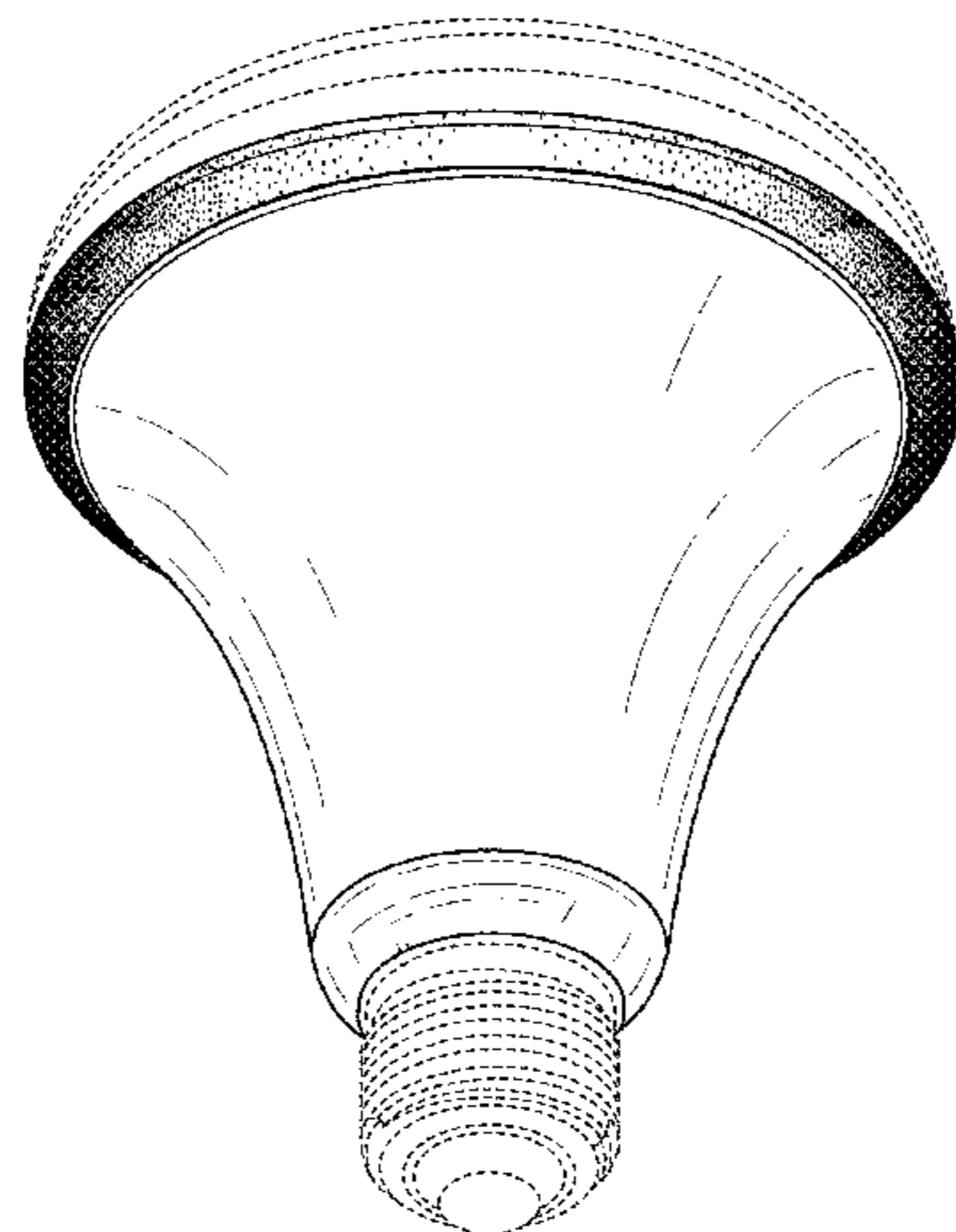


FIG. 18 is a top view of the portion of a LED lamp of FIG. 15;  
 FIG. 19 is a bottom view of the portion of a LED lamp of FIG. 15;  
 FIG. 20 is a bottom perspective view of the portion of a LED lamp of FIG. 15;  
 FIG. 21 is a top perspective view of the portion of a LED lamp of FIG. 15;  
 FIG. 22 is a front view showing yet another embodiment of our new design for a portion of a LED lamp;  
 FIG. 23 is a right side view of the portion of a LED lamp of FIG. 22;  
 FIG. 24 is a left side view of the portion of a LED lamp of FIG. 22;  
 FIG. 25 is a top view of the portion of a LED lamp of FIG. 22;  
 FIG. 26 is a bottom view of the portion of a LED lamp of FIG. 22;  
 FIG. 27 is a bottom perspective view of the portion of a LED lamp of FIG. 22;  
 FIG. 28 is a top perspective view of the portion of a LED lamp of FIG. 22;  
 FIG. 29 is a front view showing still another embodiment of our new design for a portion of a LED lamp;  
 FIG. 30 is a right side view of the portion of a LED lamp of FIG. 29;  
 FIG. 31 is a left side view of the portion of a LED lamp of FIG. 29;  
 FIG. 32 is a top view of the portion of a LED lamp of FIG. 29;  
 FIG. 33 is a bottom view of the portion of a LED lamp of FIG. 29;  
 FIG. 34 is a bottom perspective view of the portion of a LED lamp of FIG. 29; and,

FIG. 35 is a top perspective view of the portion of a LED lamp of FIG. 29.

The portions shown in broken lines are not part of the claimed design but show the environment in which the design is associated.

The area shown with stippling has a different surface finish than the remainder of the design and may have a chrome finish, a finish of a different color than the remainder of the design or a finish of a different luster than the remainder of the design.

**1 Claim, 35 Drawing Sheets**

(58) **Field of Classification Search**

CPC ..... H01R 5/00; H01R 13/46; H01R 13/514;  
 H01R 31/048; H01R 31/02; H01J 5/00;  
 H01J 5/16; H01J 15/00; H01J 5/48; H01J  
 5/50; H01J 19/54; F21V 5/00

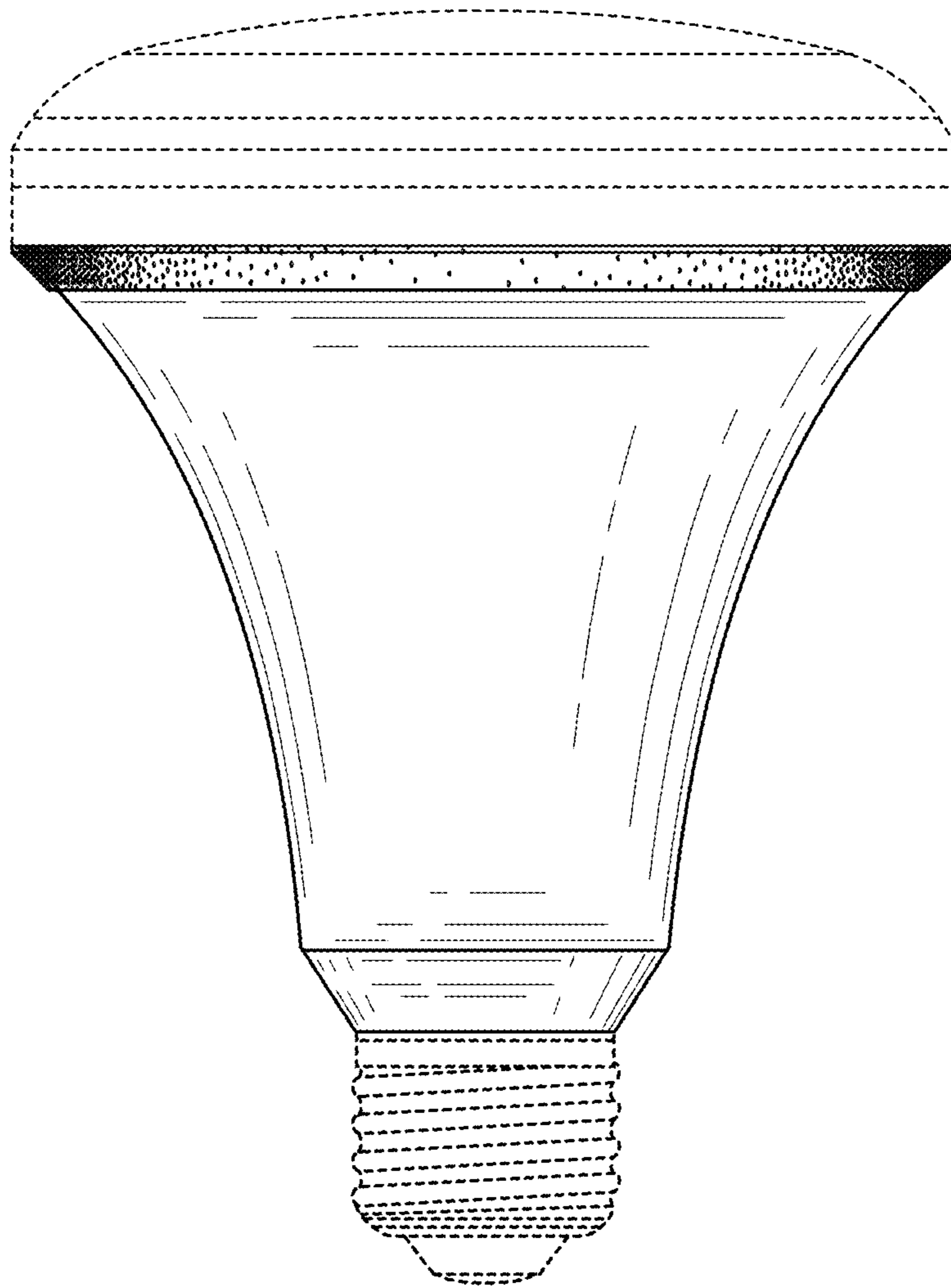
See application file for complete search history.

(56) **References Cited**

U.S. PATENT DOCUMENTS

D741,509 S	10/2015	Negley et al.
D746,492 S	12/2015	Hash
D747,011 S	1/2016	Progl et al.
D747,012 S	1/2016	Negley et al.
D748,296 S	1/2016	Reier et al.
D754,887 S	4/2016	Huang et al.
D768,889 S	10/2016	Bergmann et al.
D790,737 S	6/2017	Vanepps, Jr. et al.

\* cited by examiner



**FIG. 1**

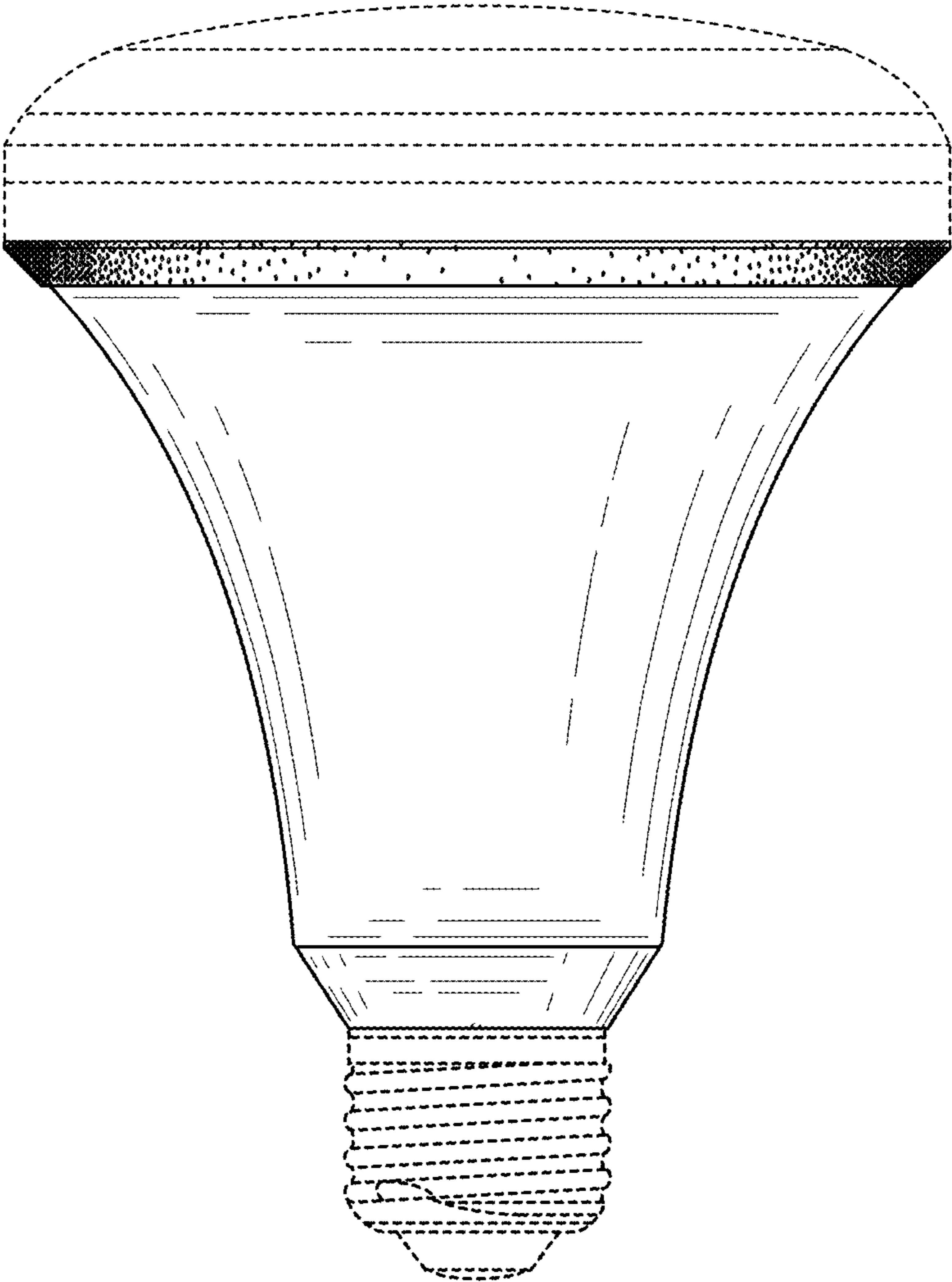
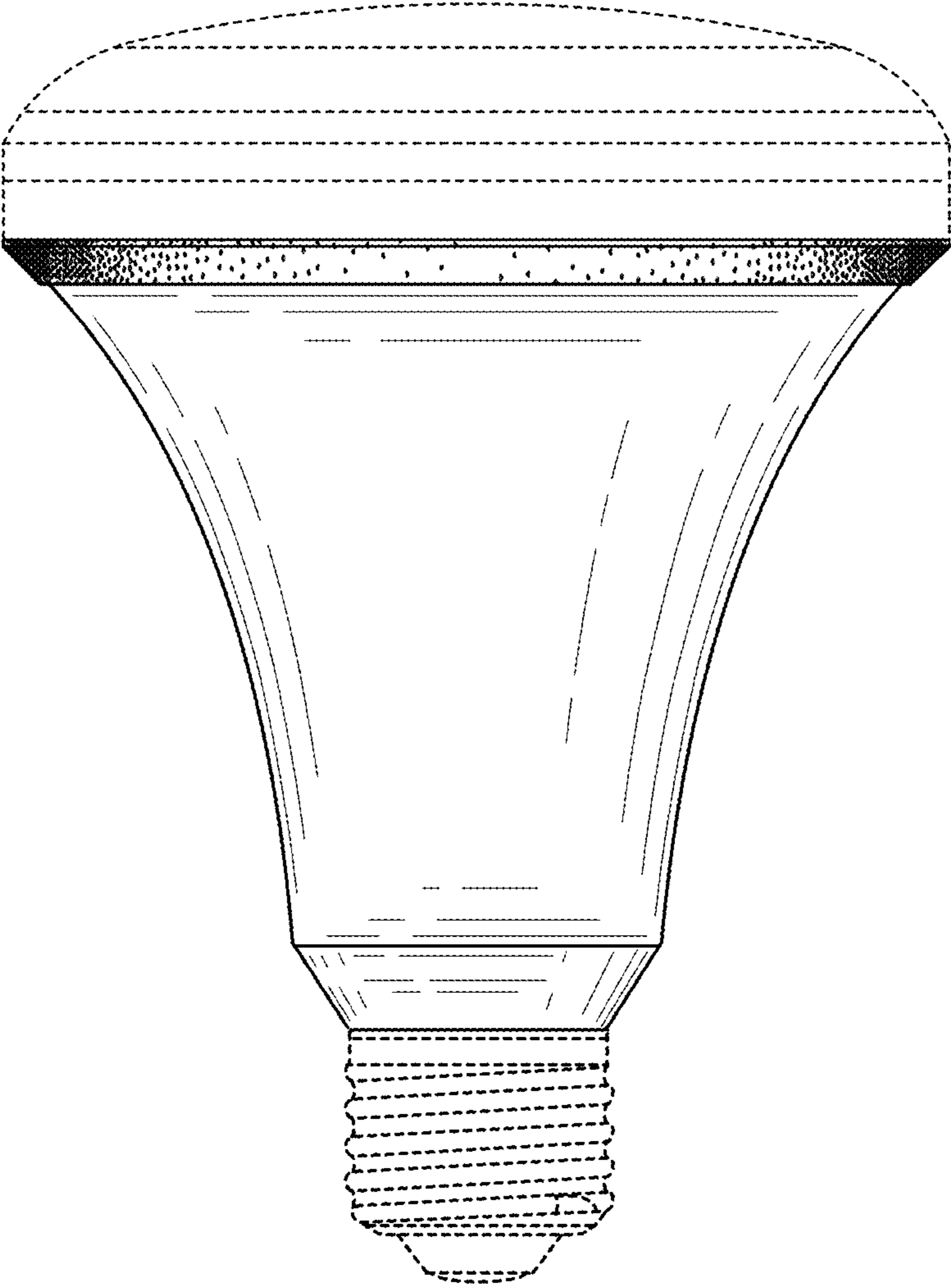
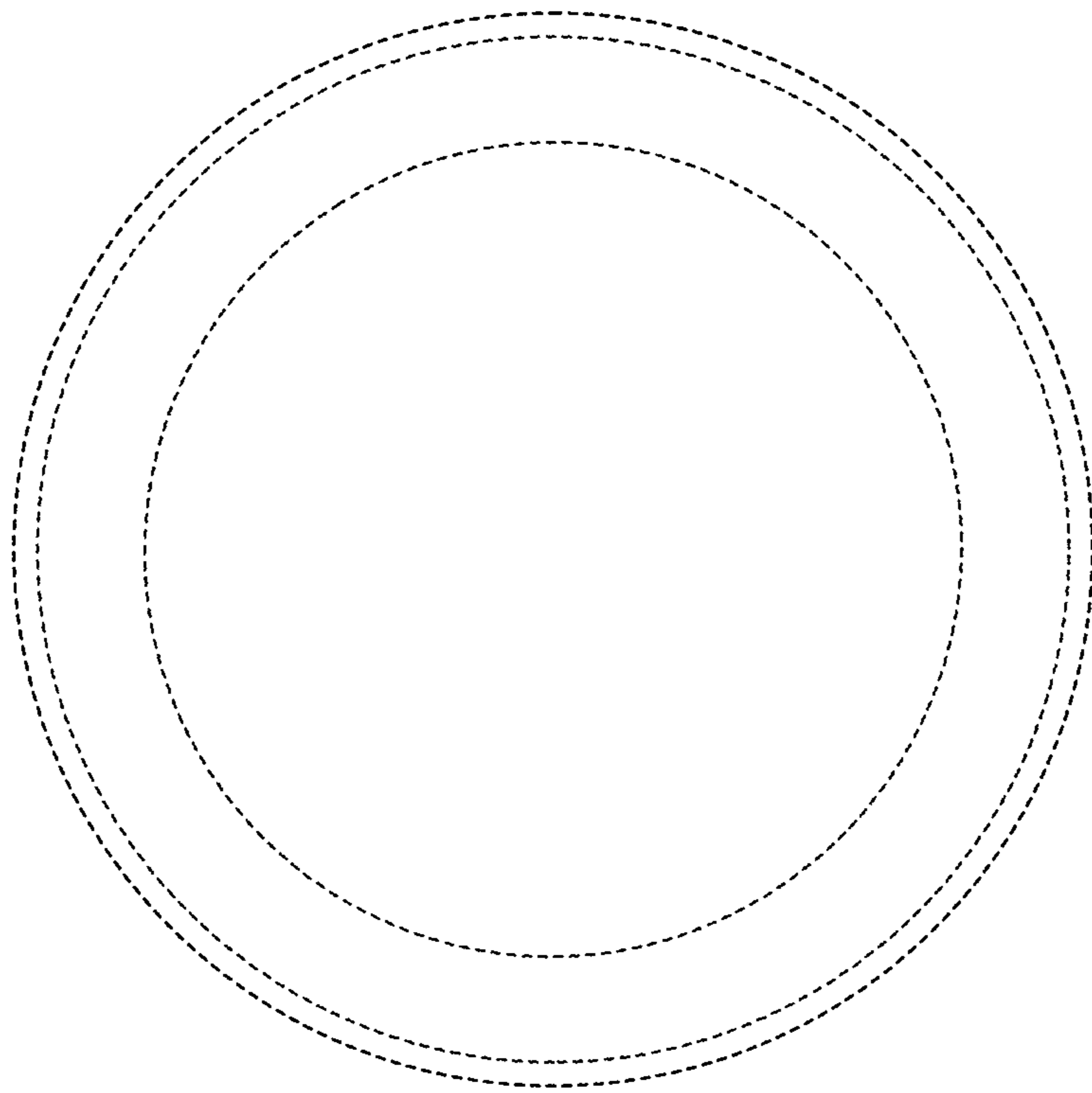


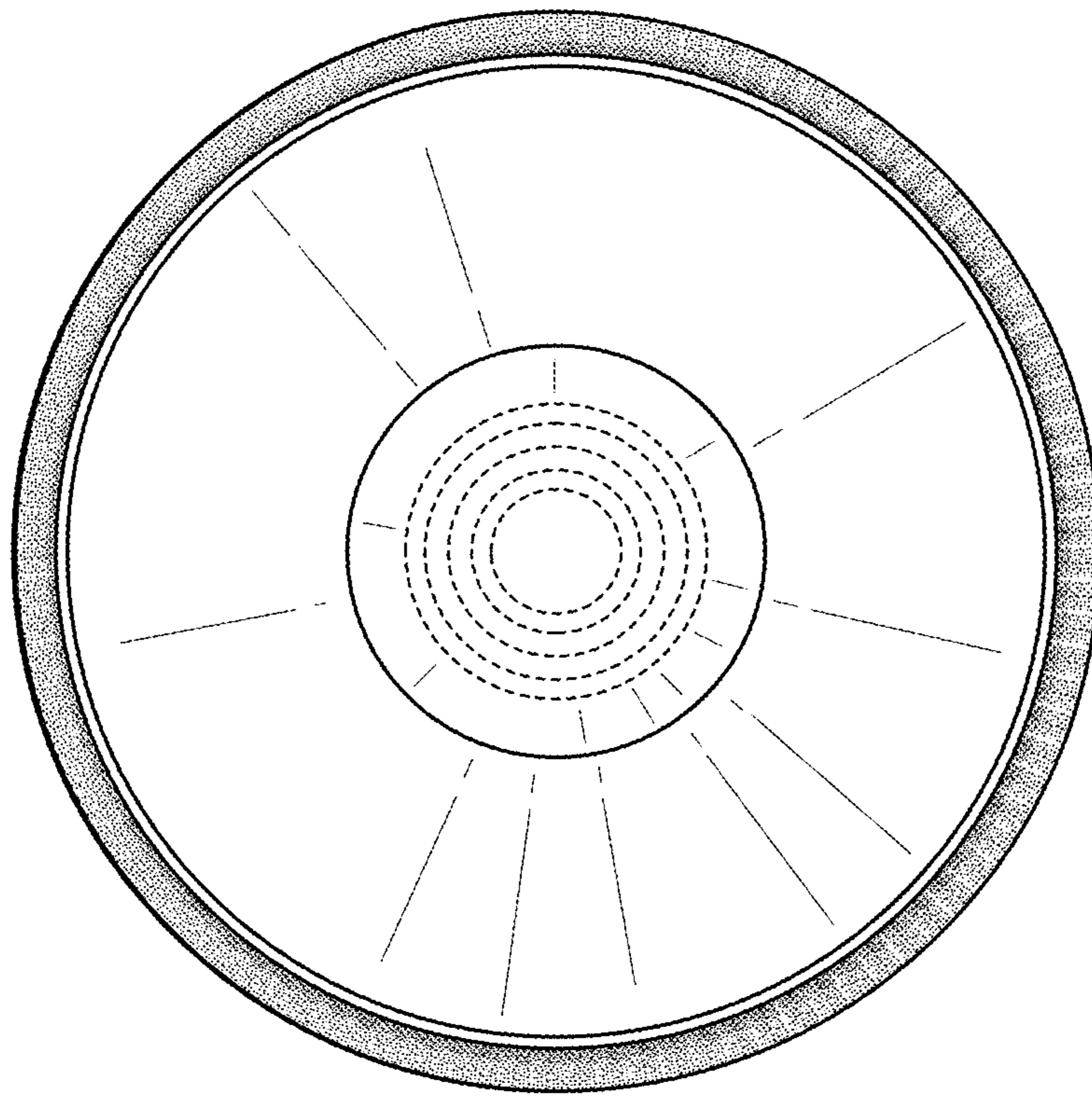
FIG. 2



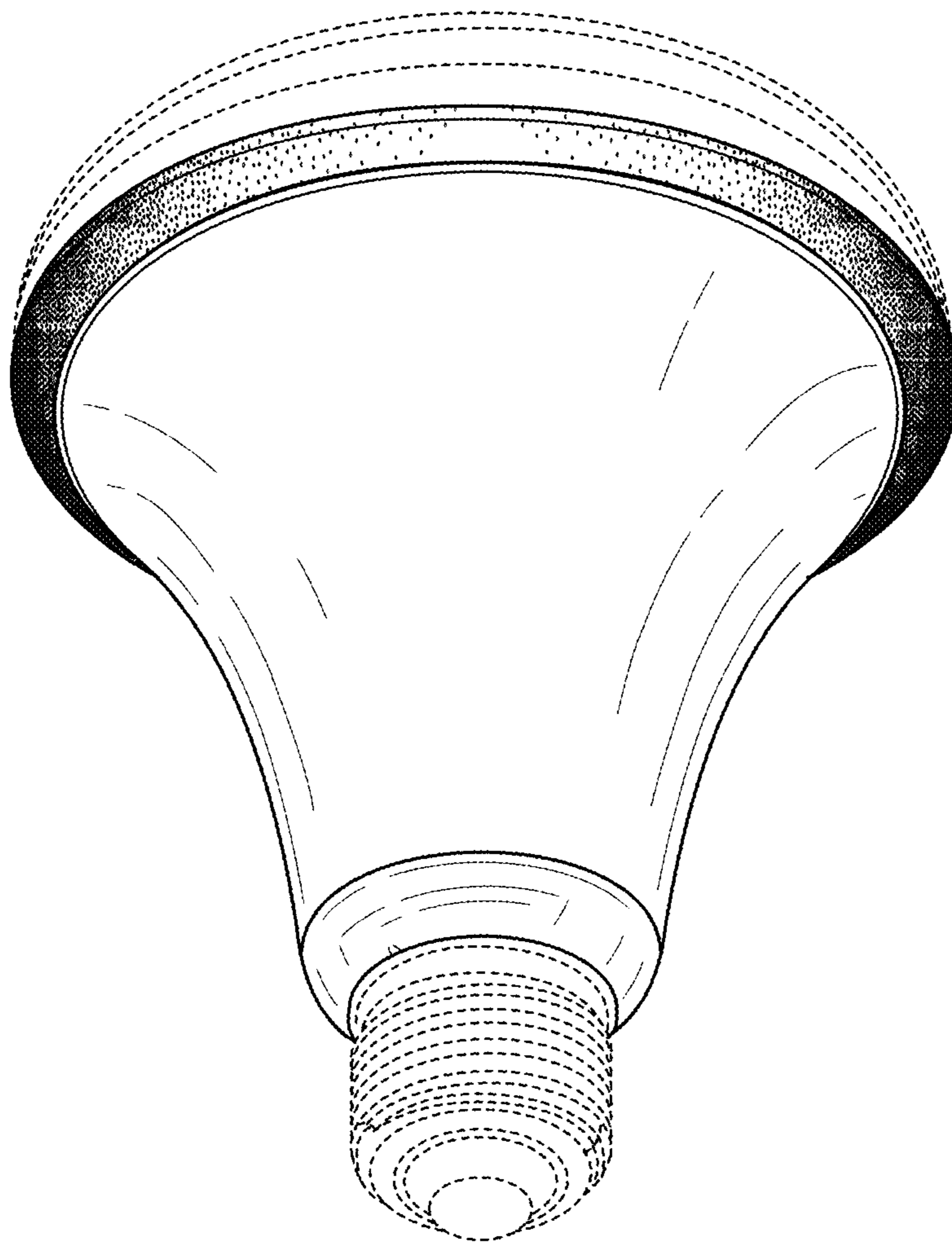
**FIG. 3**



**FIG. 4**

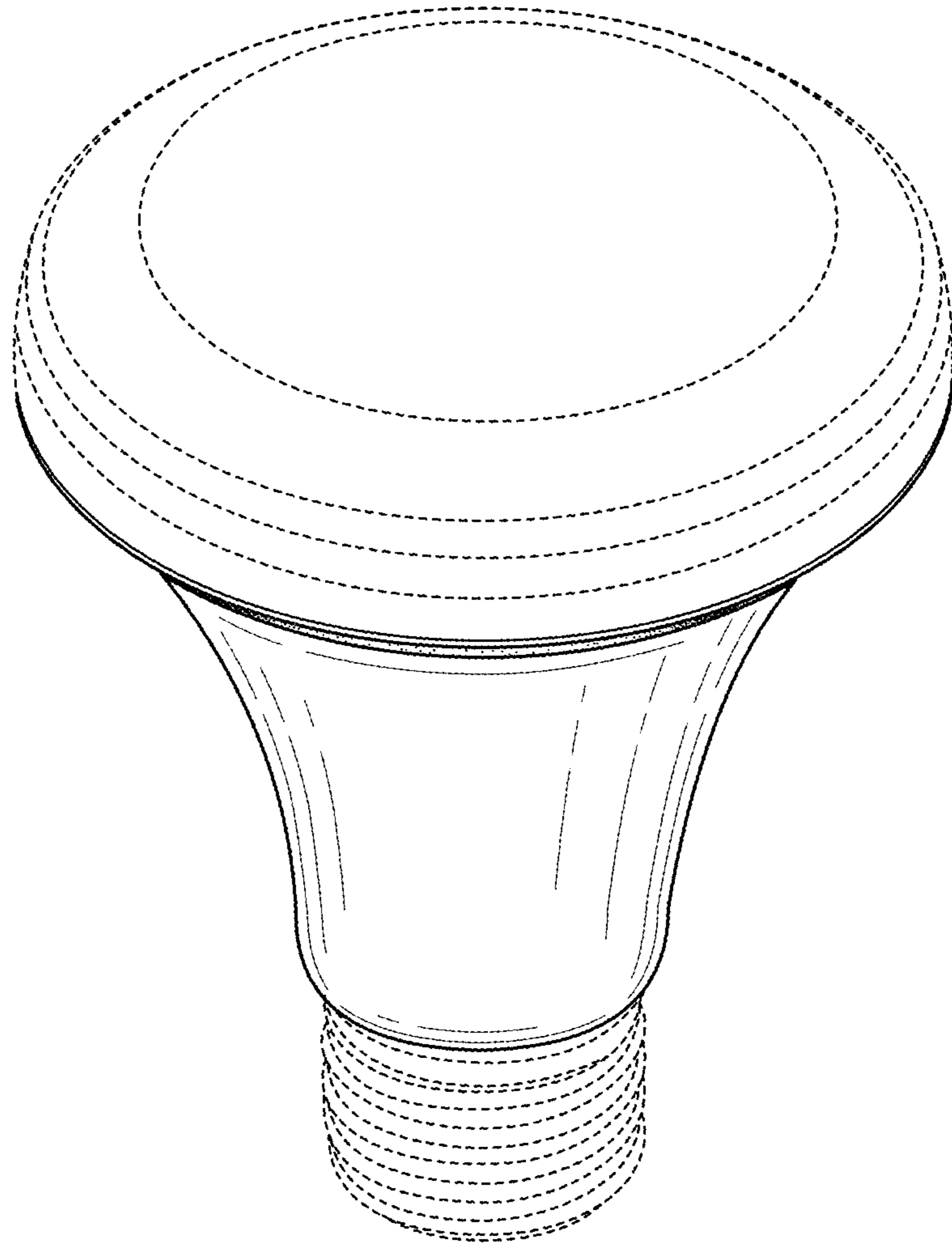


**FIG. 5**

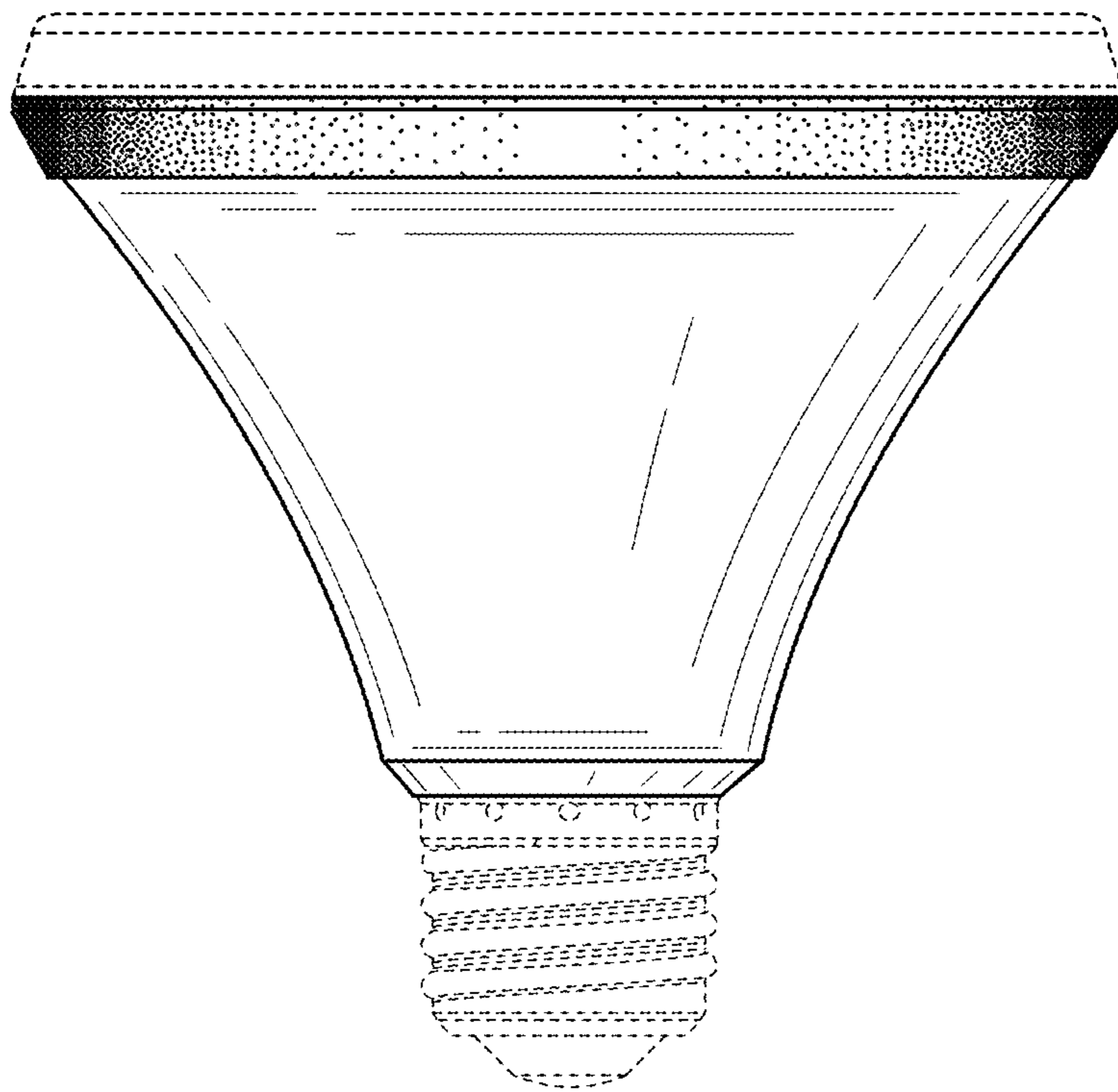


**FIG. 6**

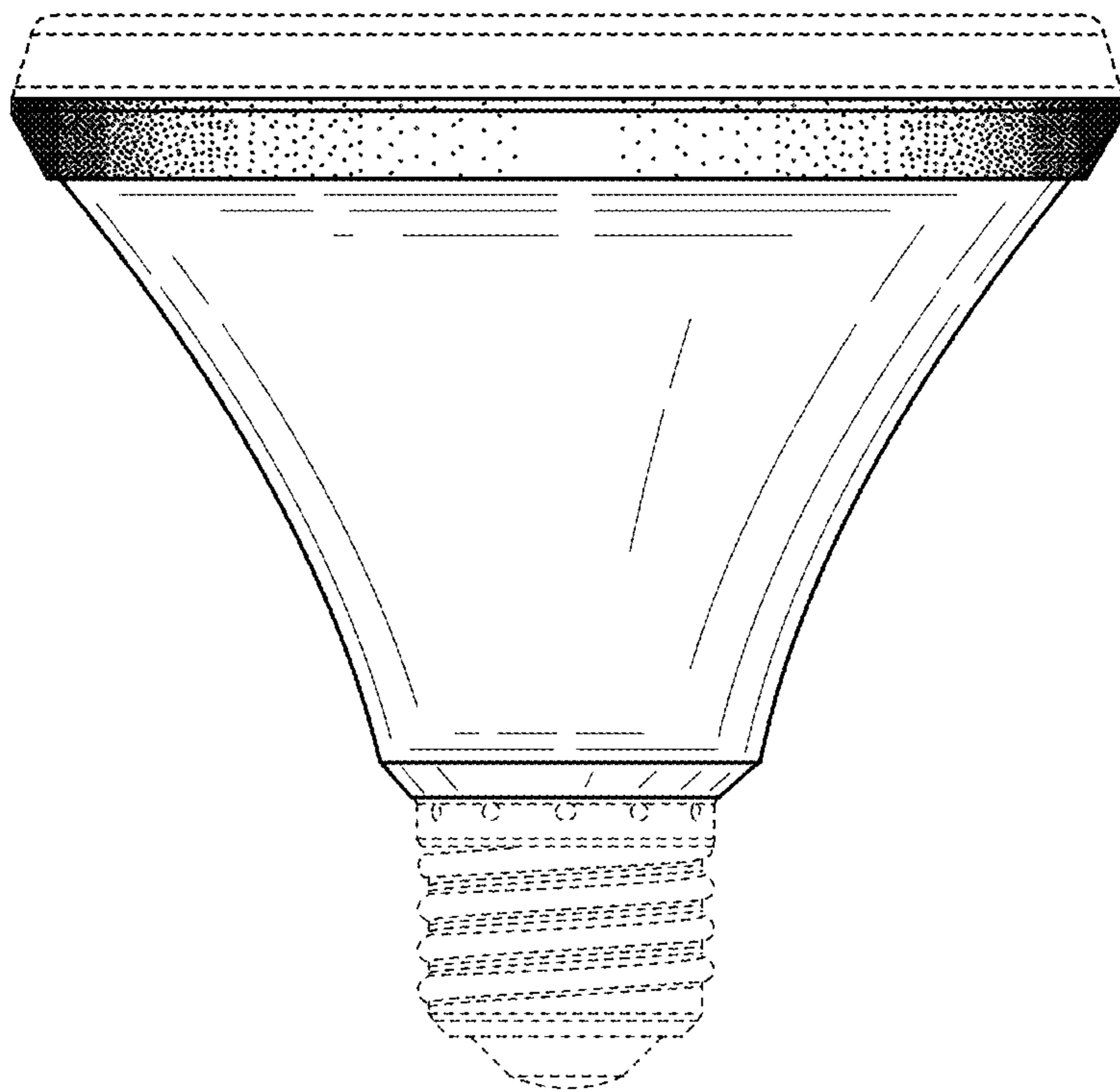




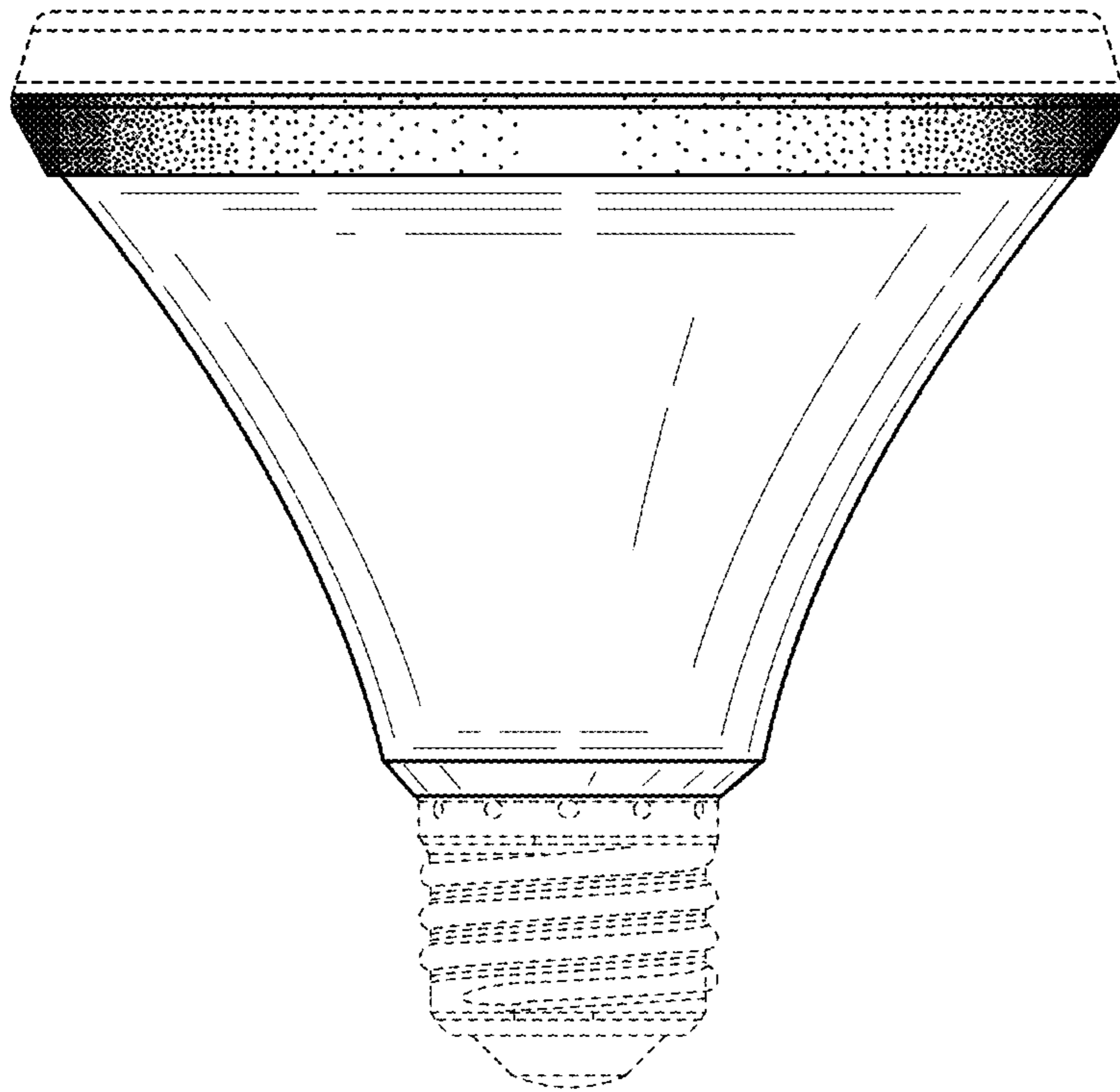
**FIG. 7**



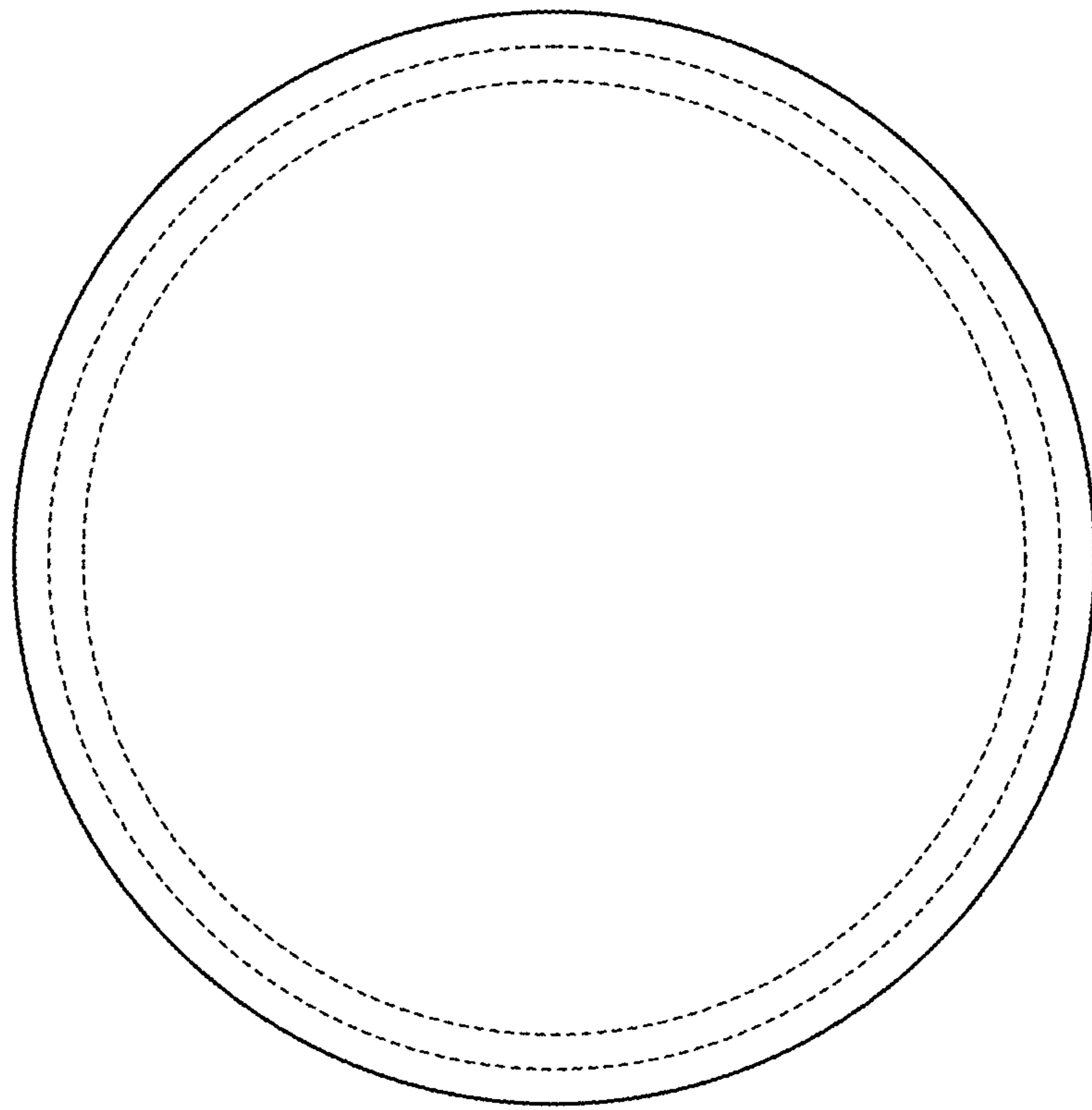
**FIG. 8**



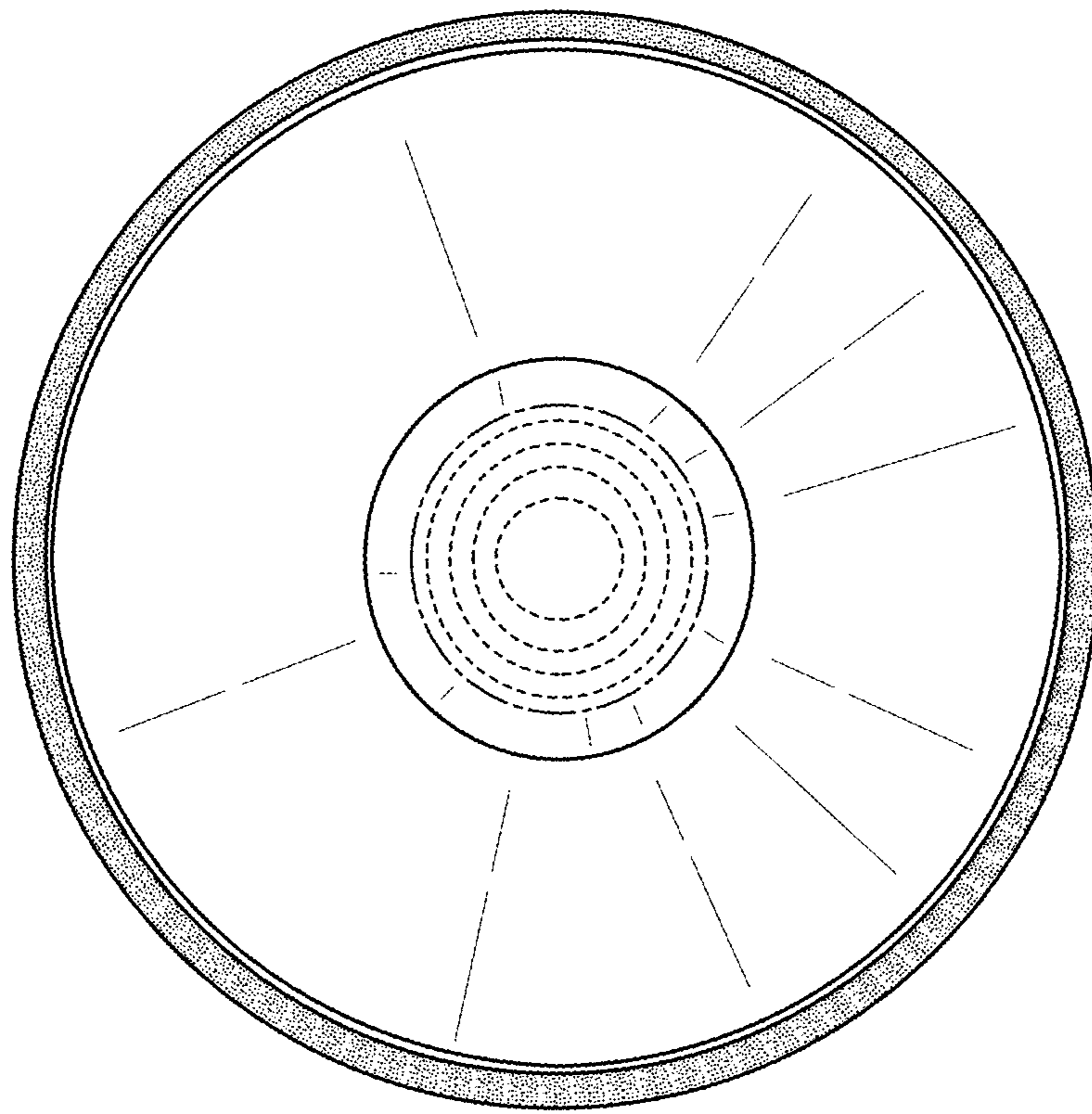
**FIG. 9**



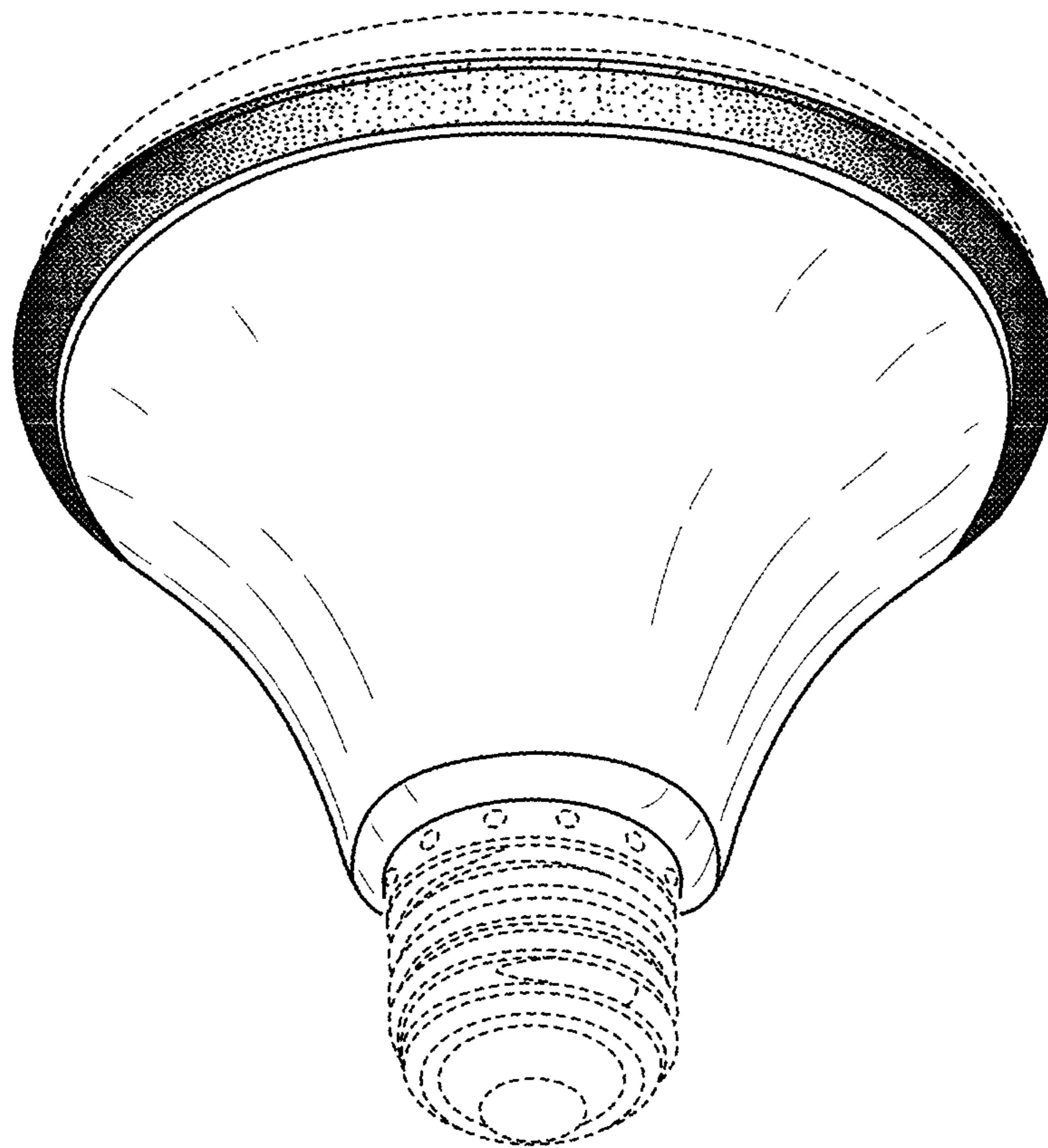
**FIG. 10**



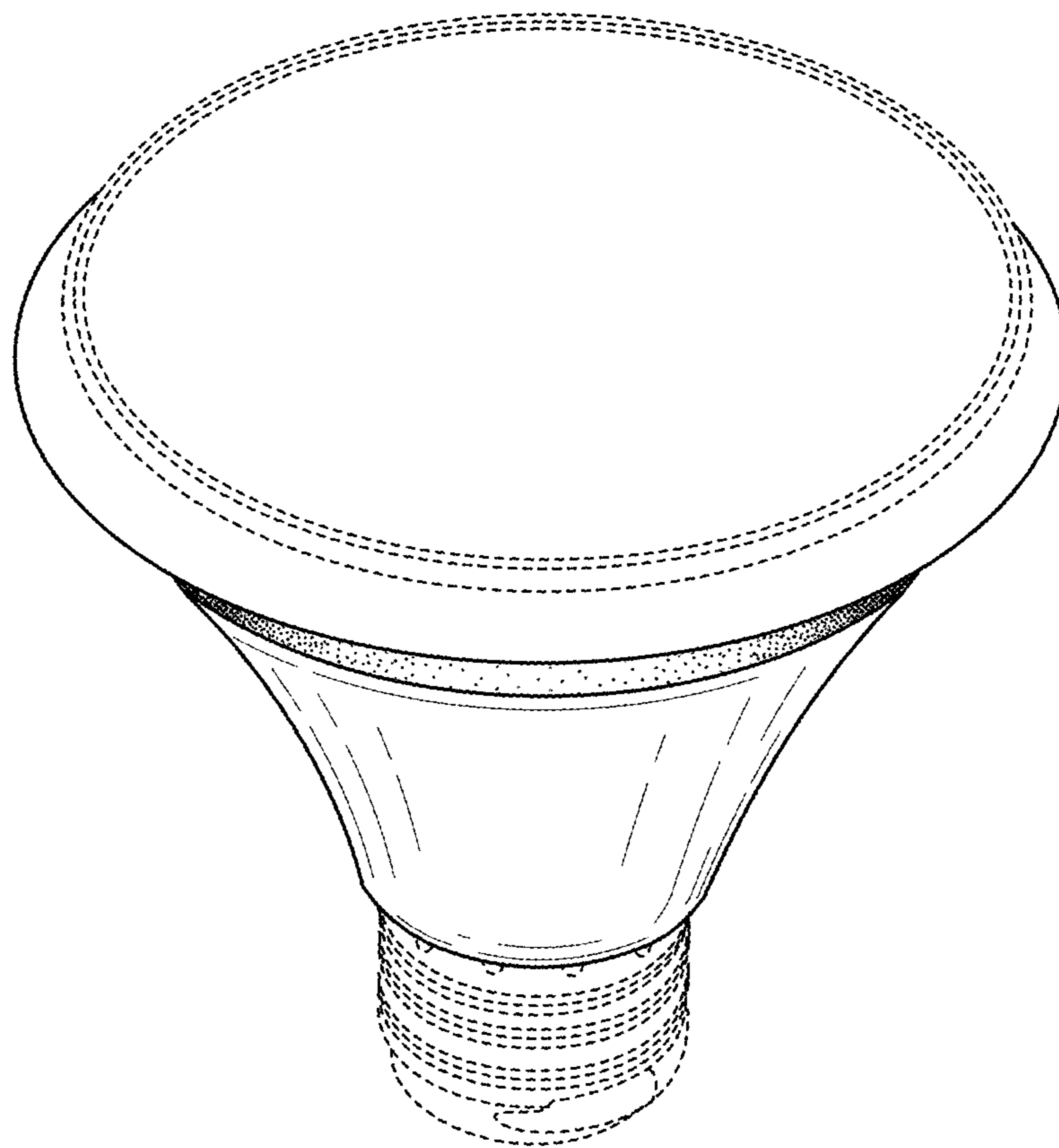
**FIG. 11**



**FIG. 12**



**FIG. 13**



**FIG. 14**



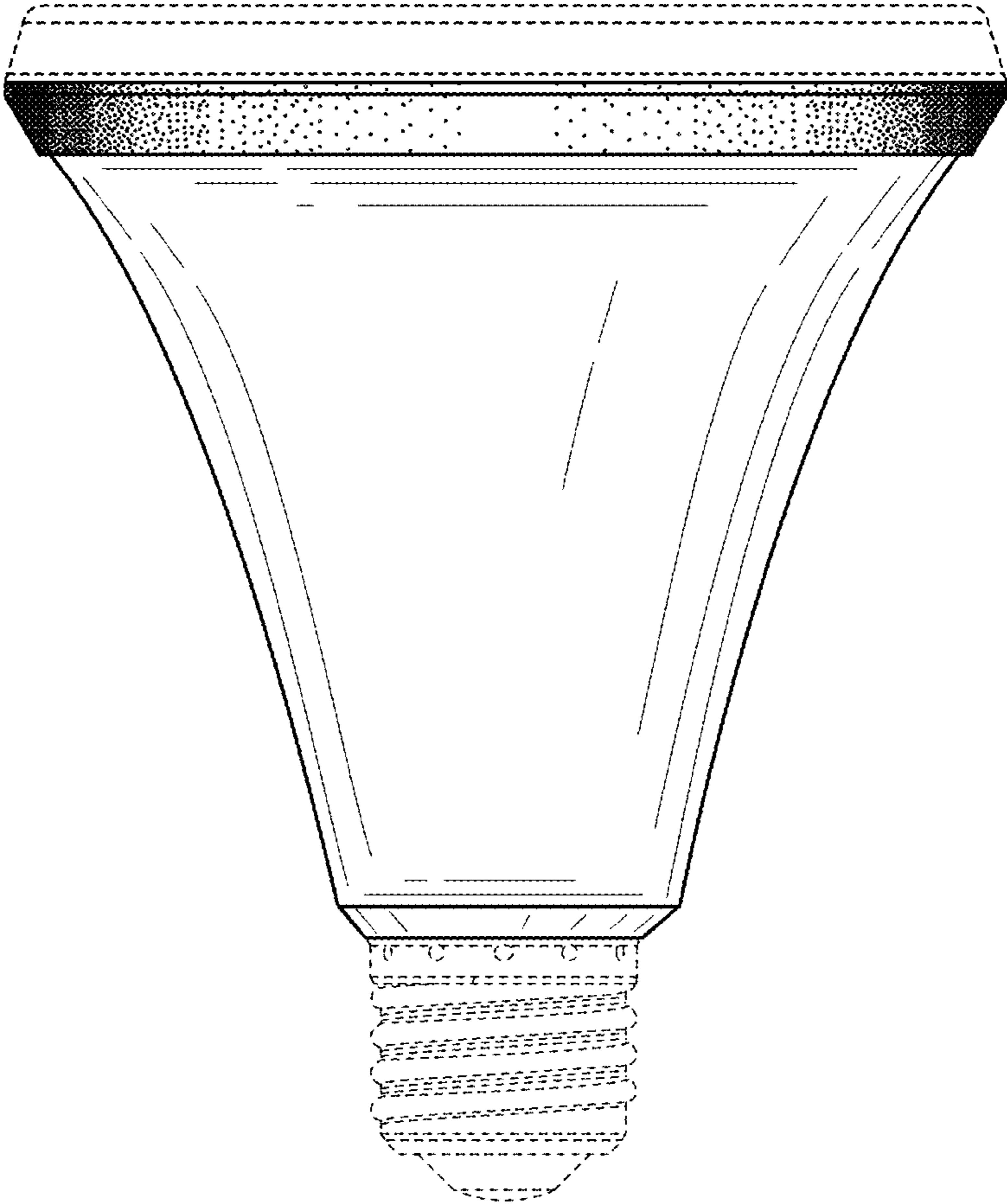
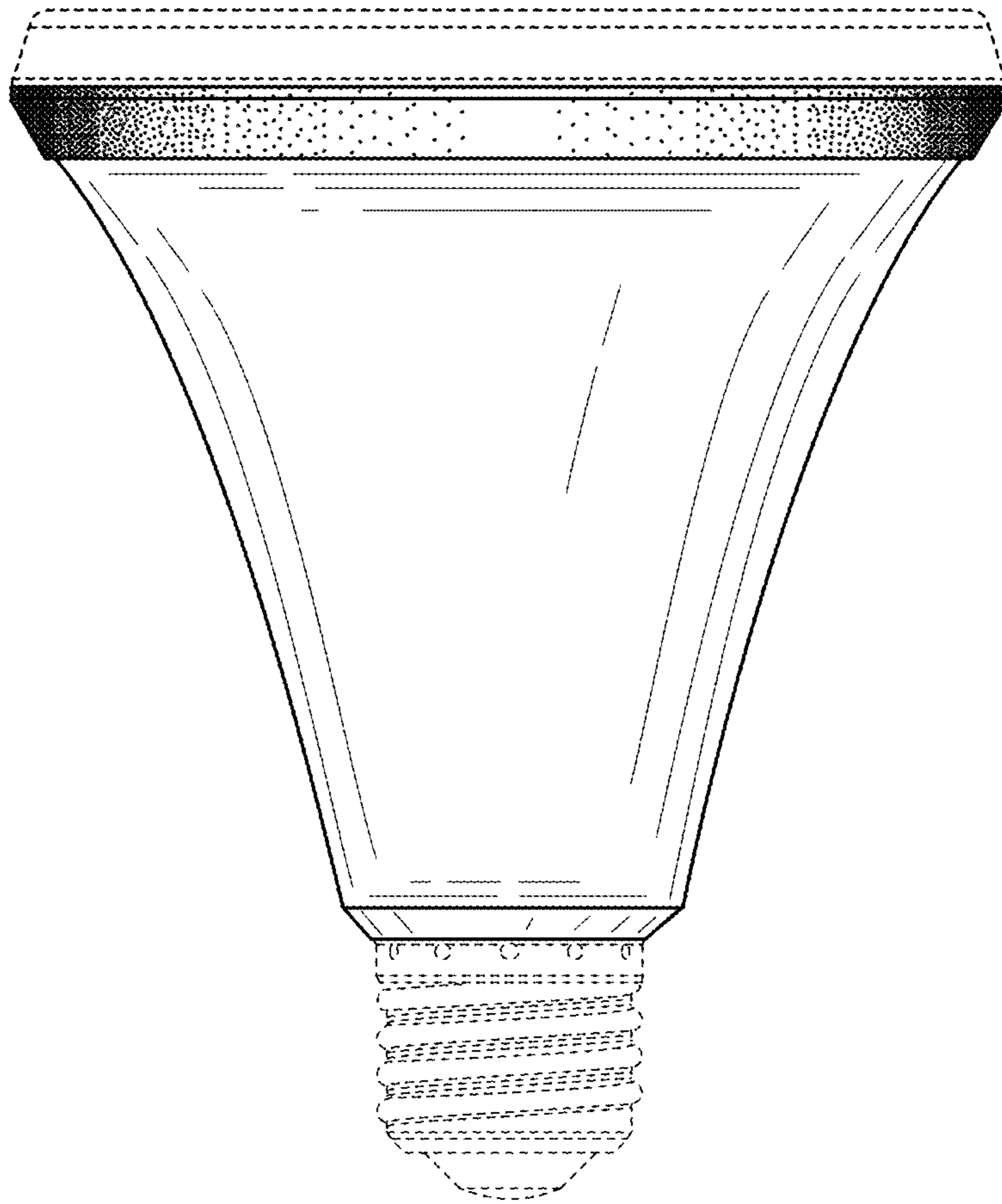


FIG. 15



**FIG. 16**

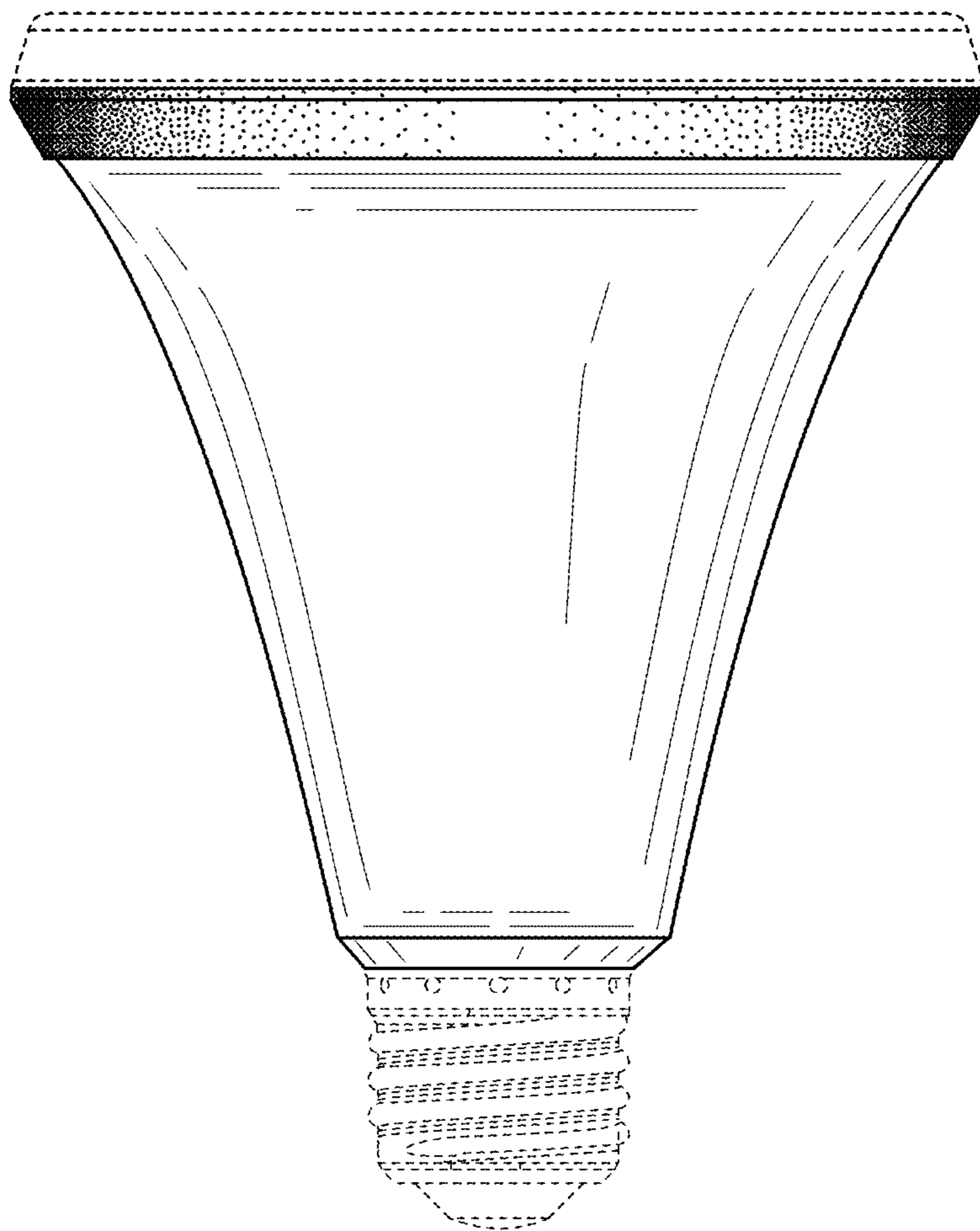
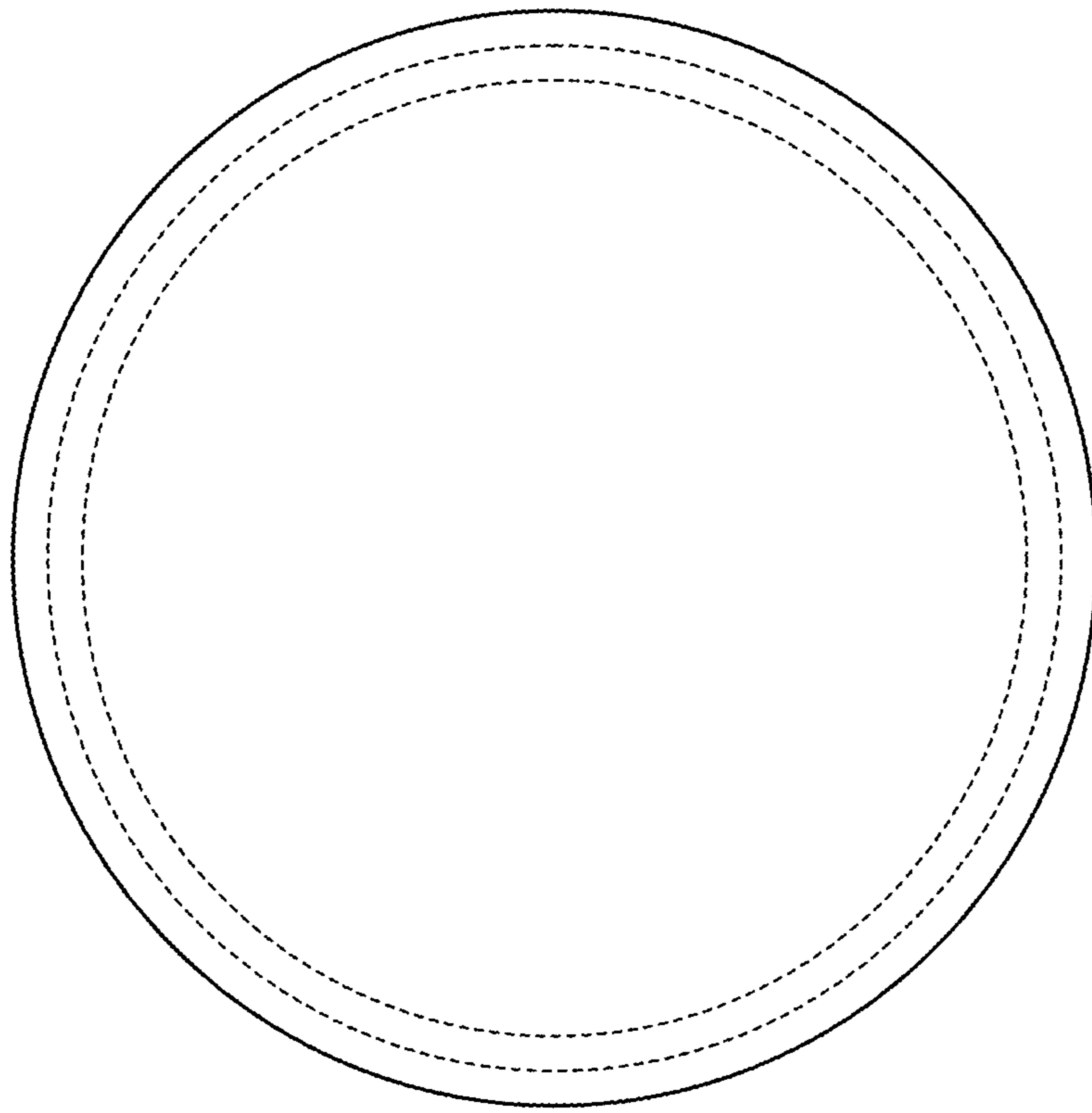
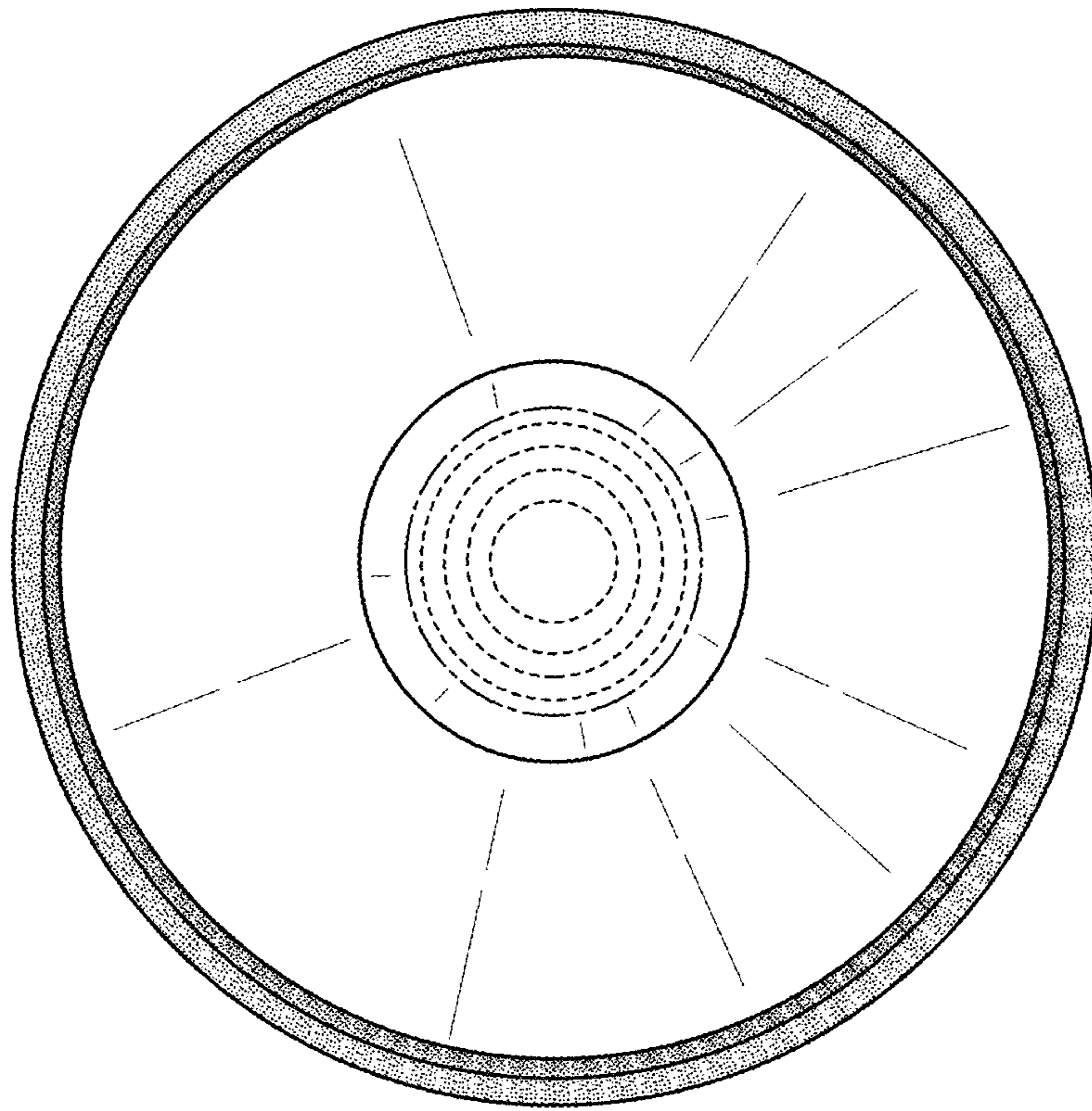


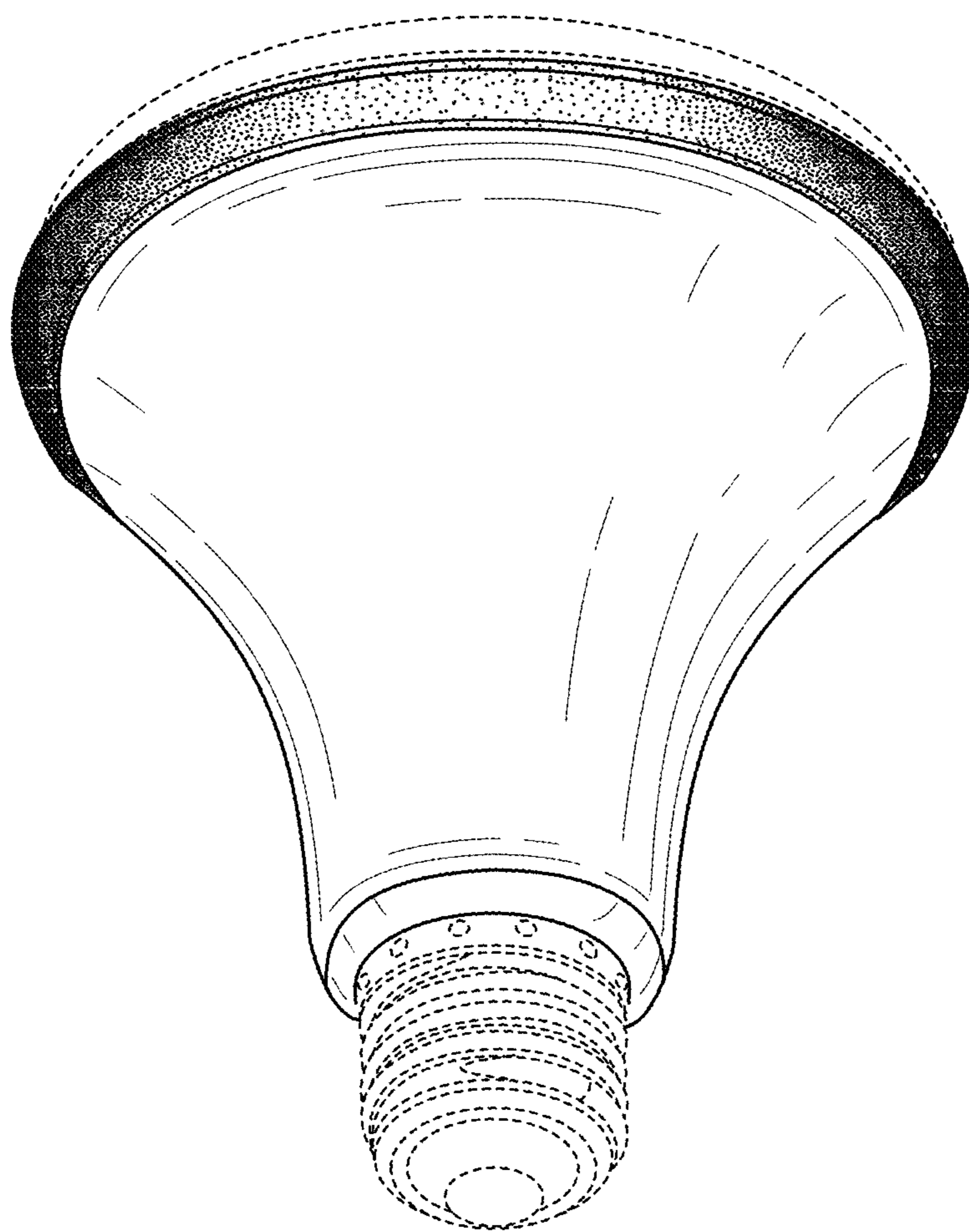
FIG. 17



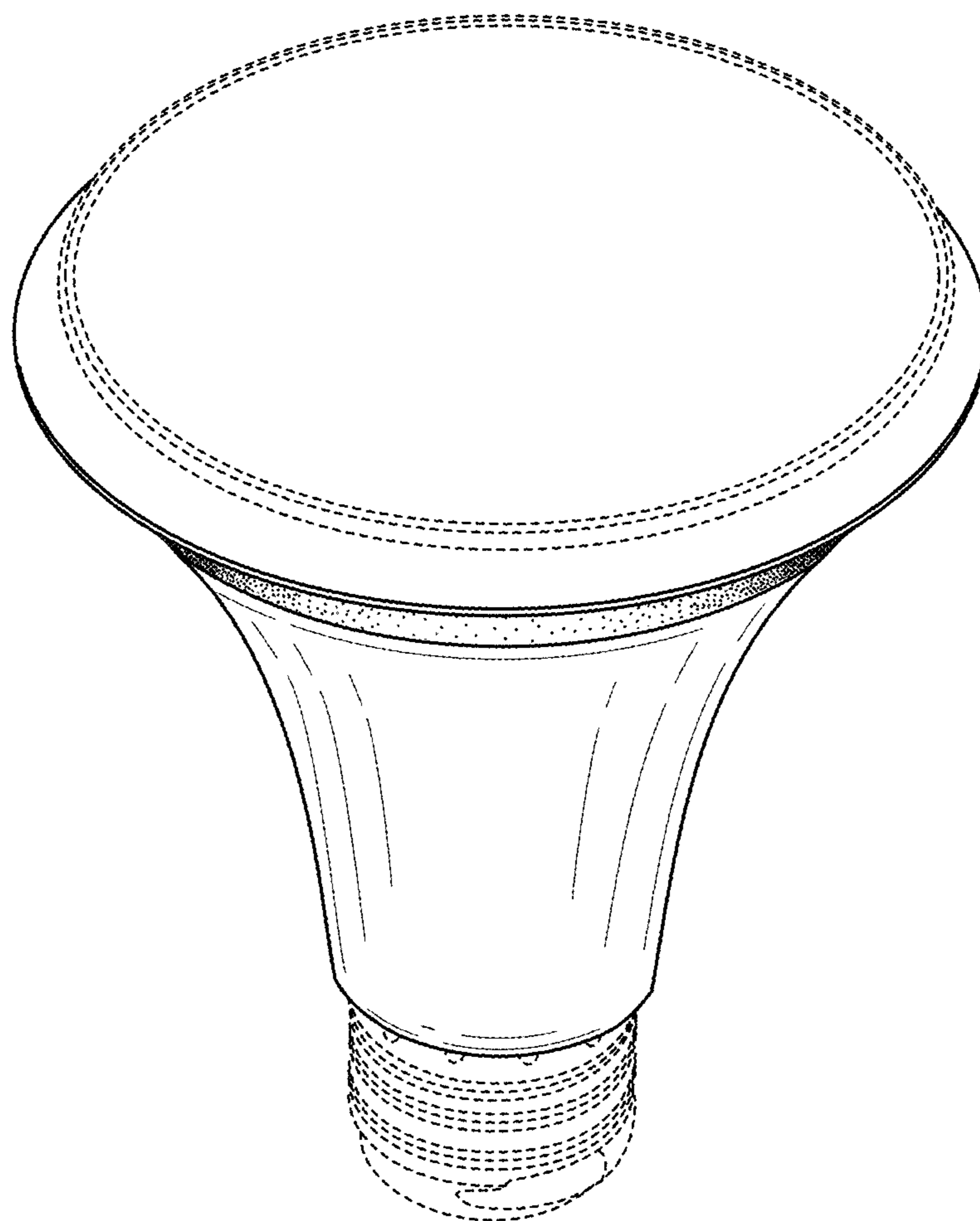
**FIG. 18**



**FIG. 19**



**FIG. 20**



**FIG. 21**

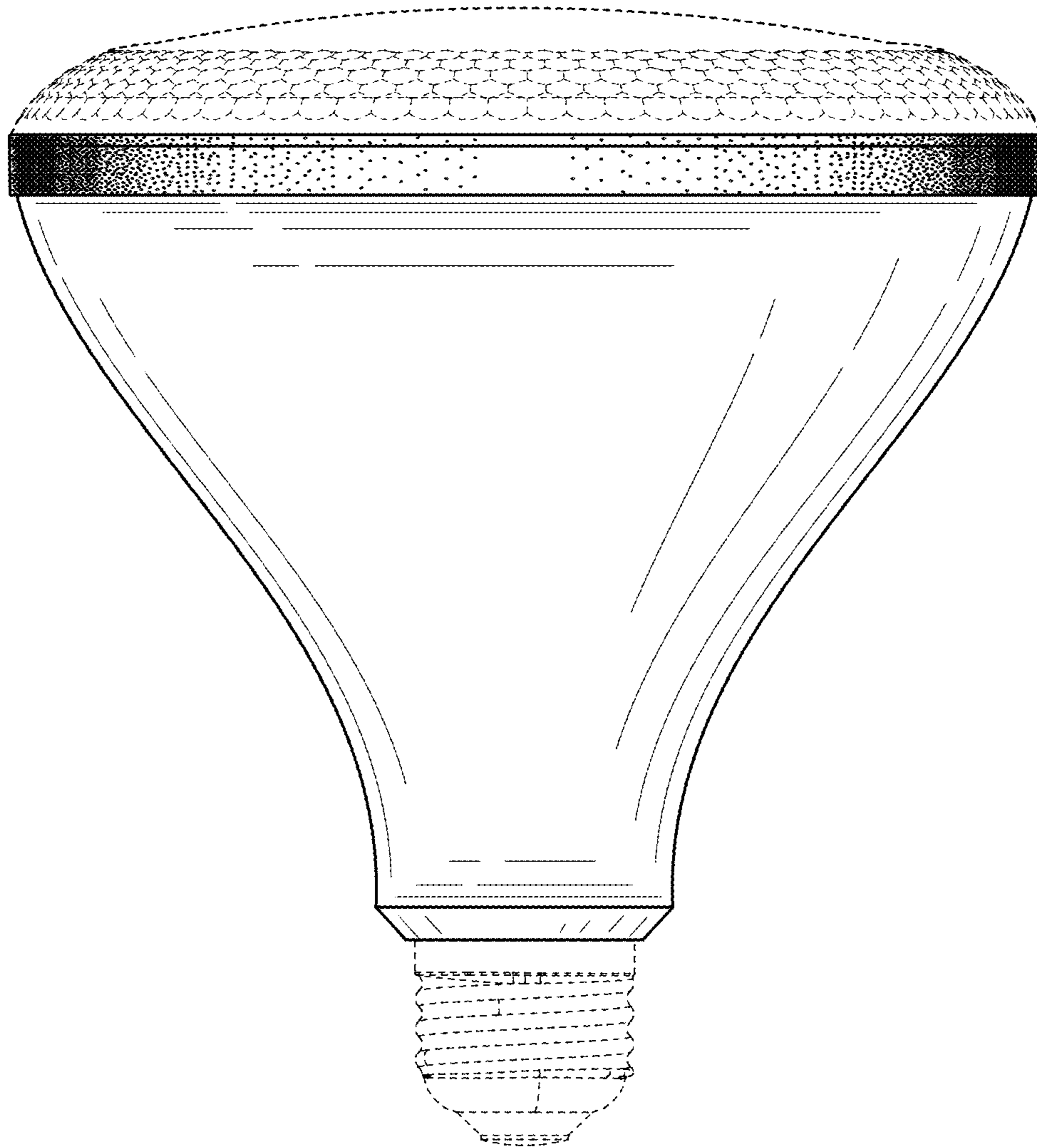
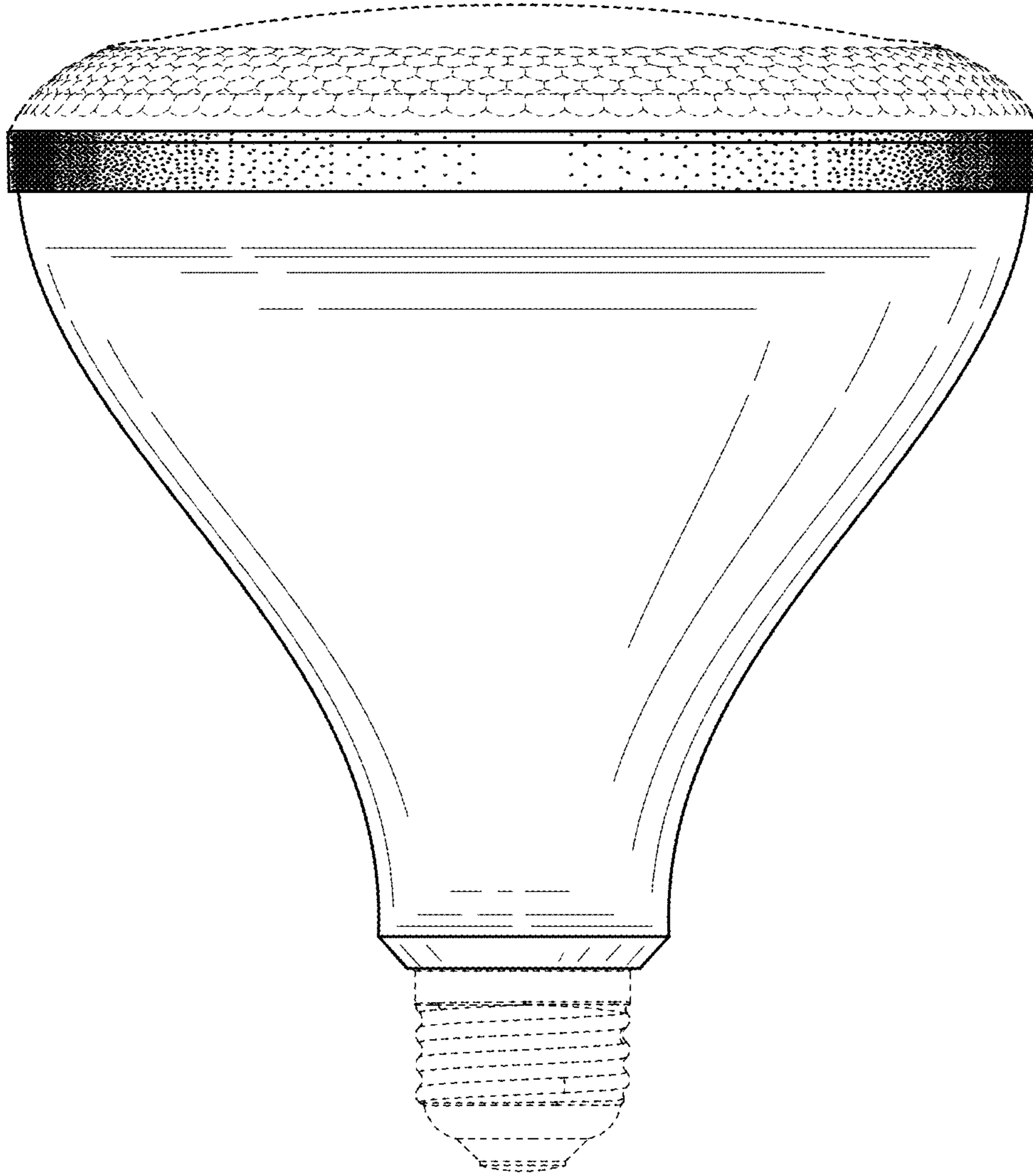


FIG. 22





**FIG. 23**

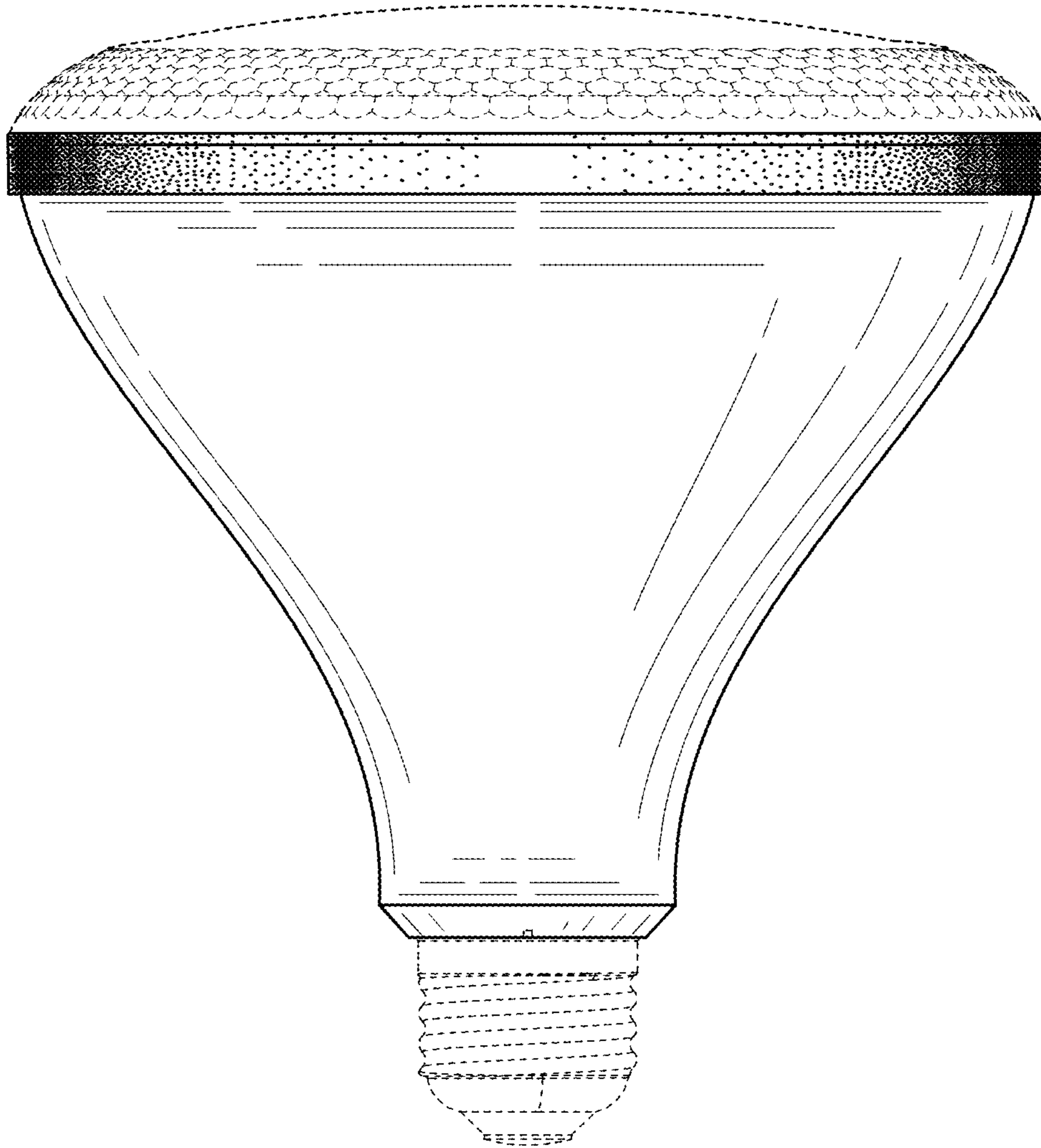
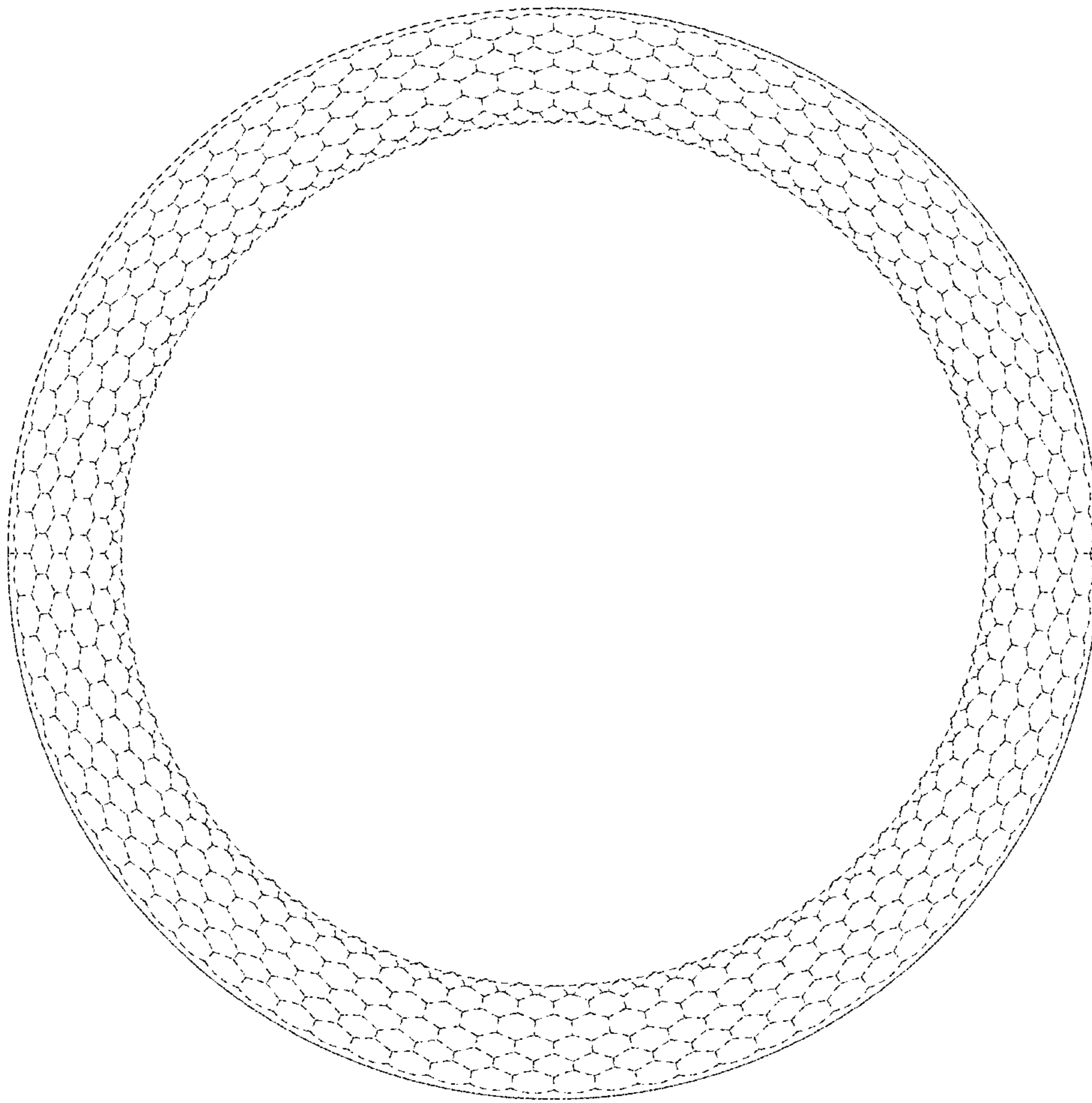
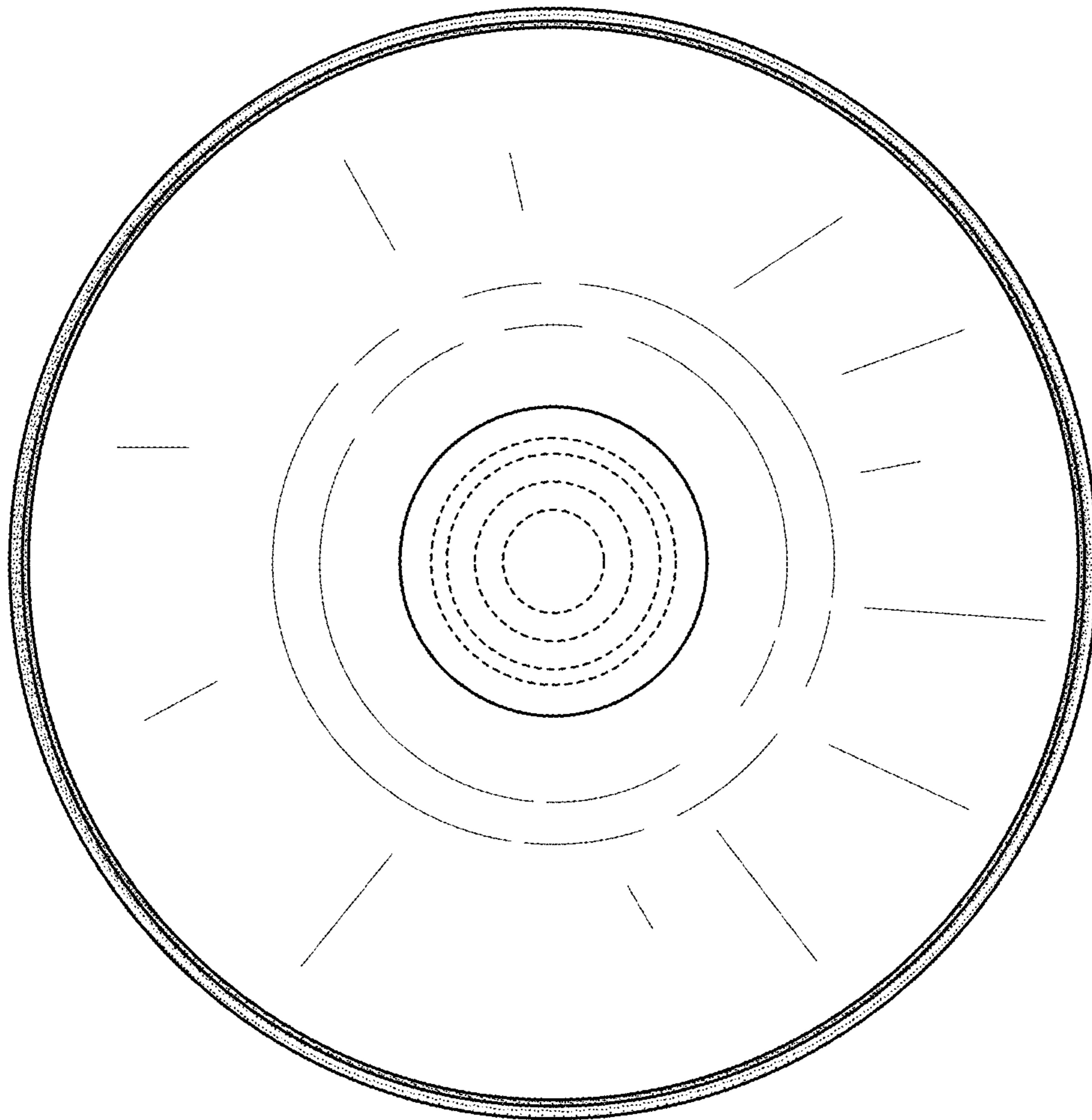


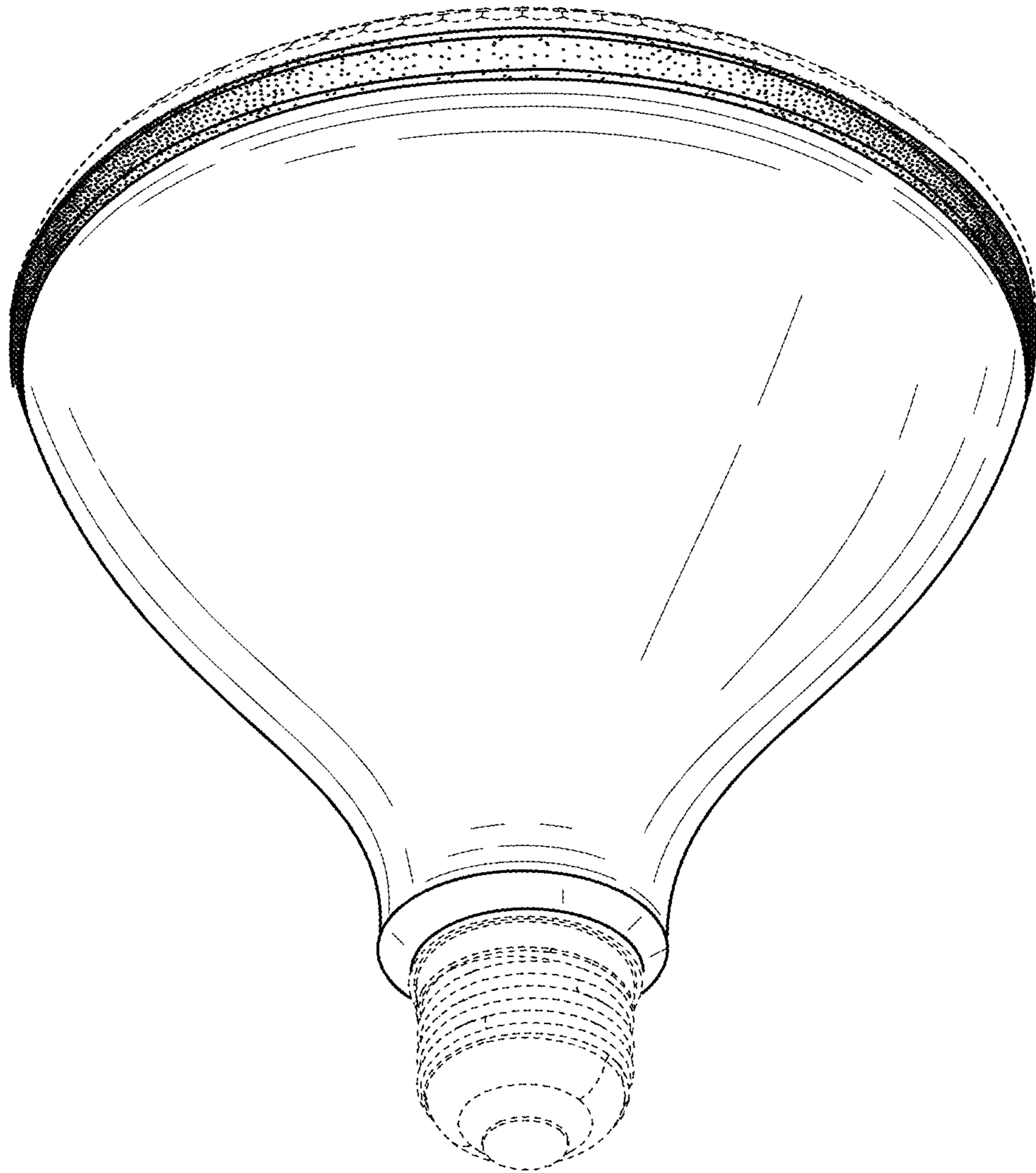
FIG. 24



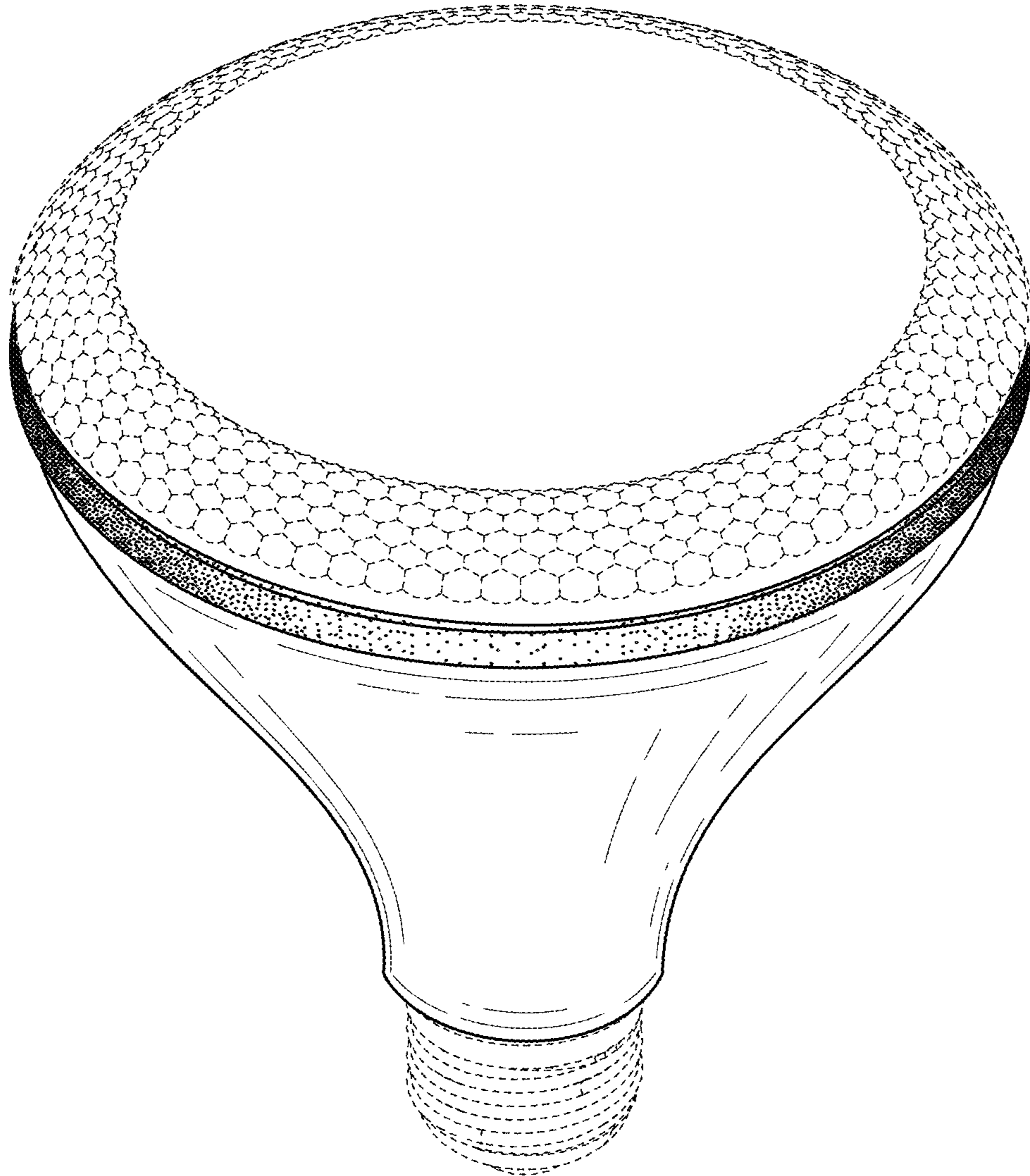
**FIG. 25**



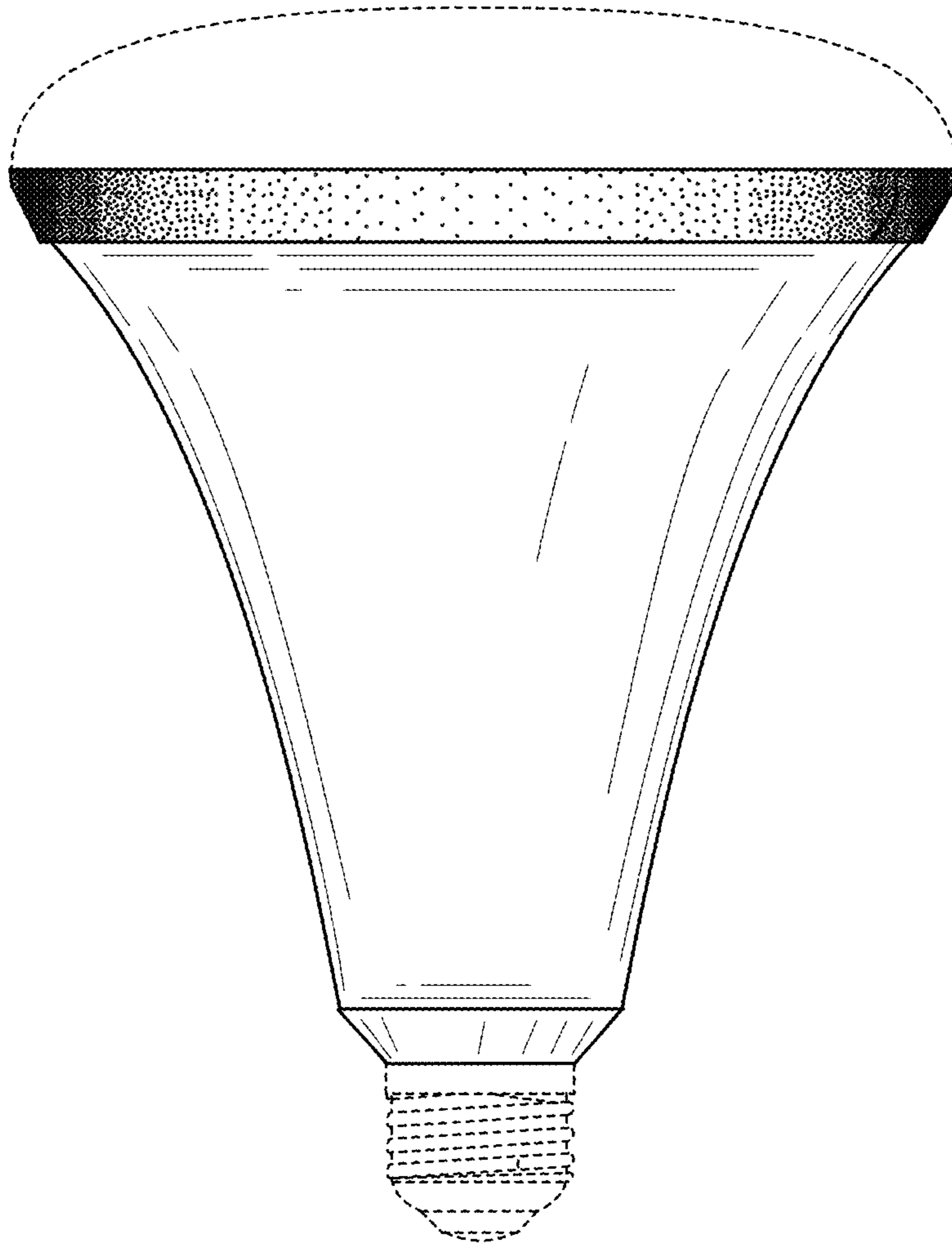
**FIG. 26**



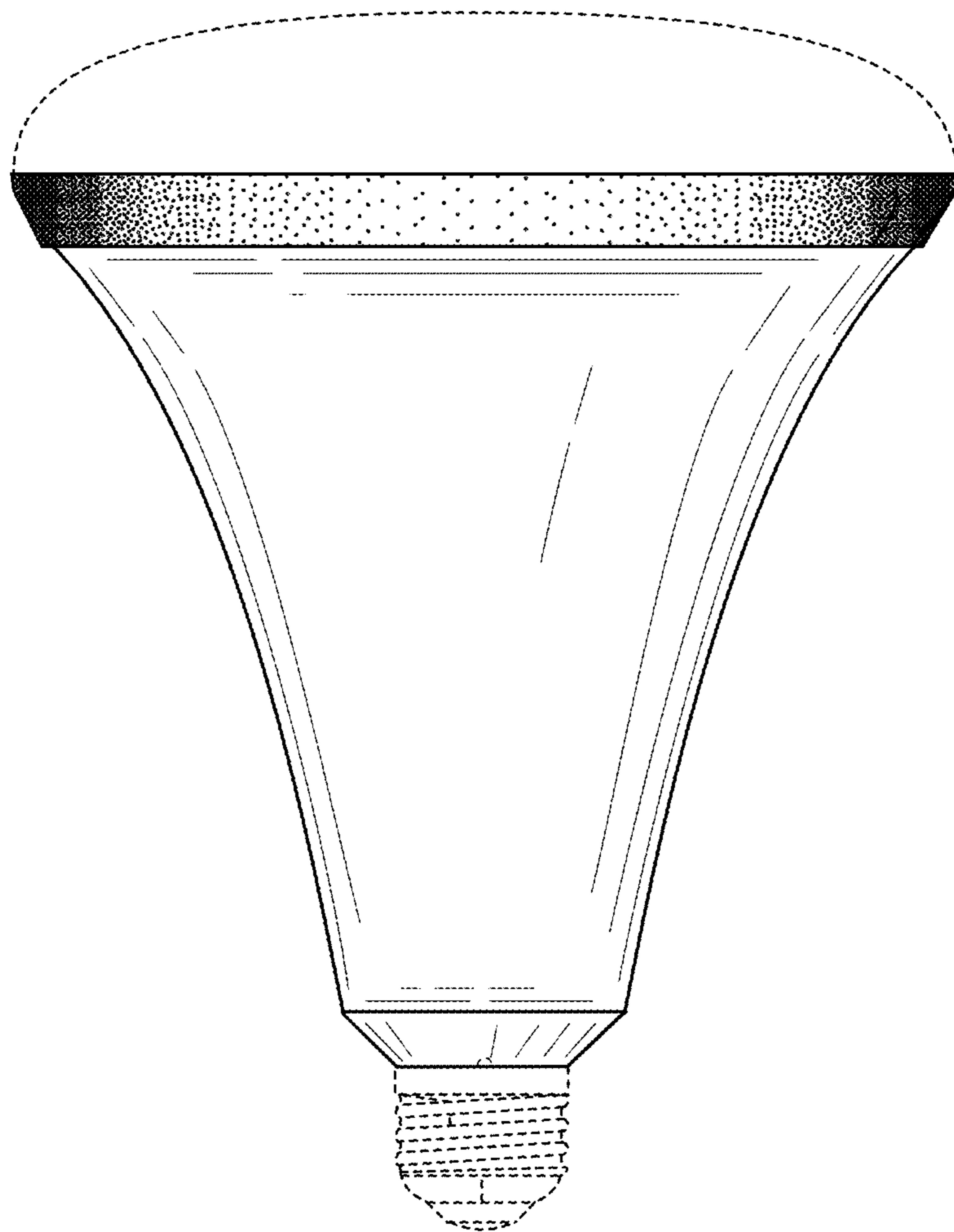
**FIG. 27**



**FIG. 28**

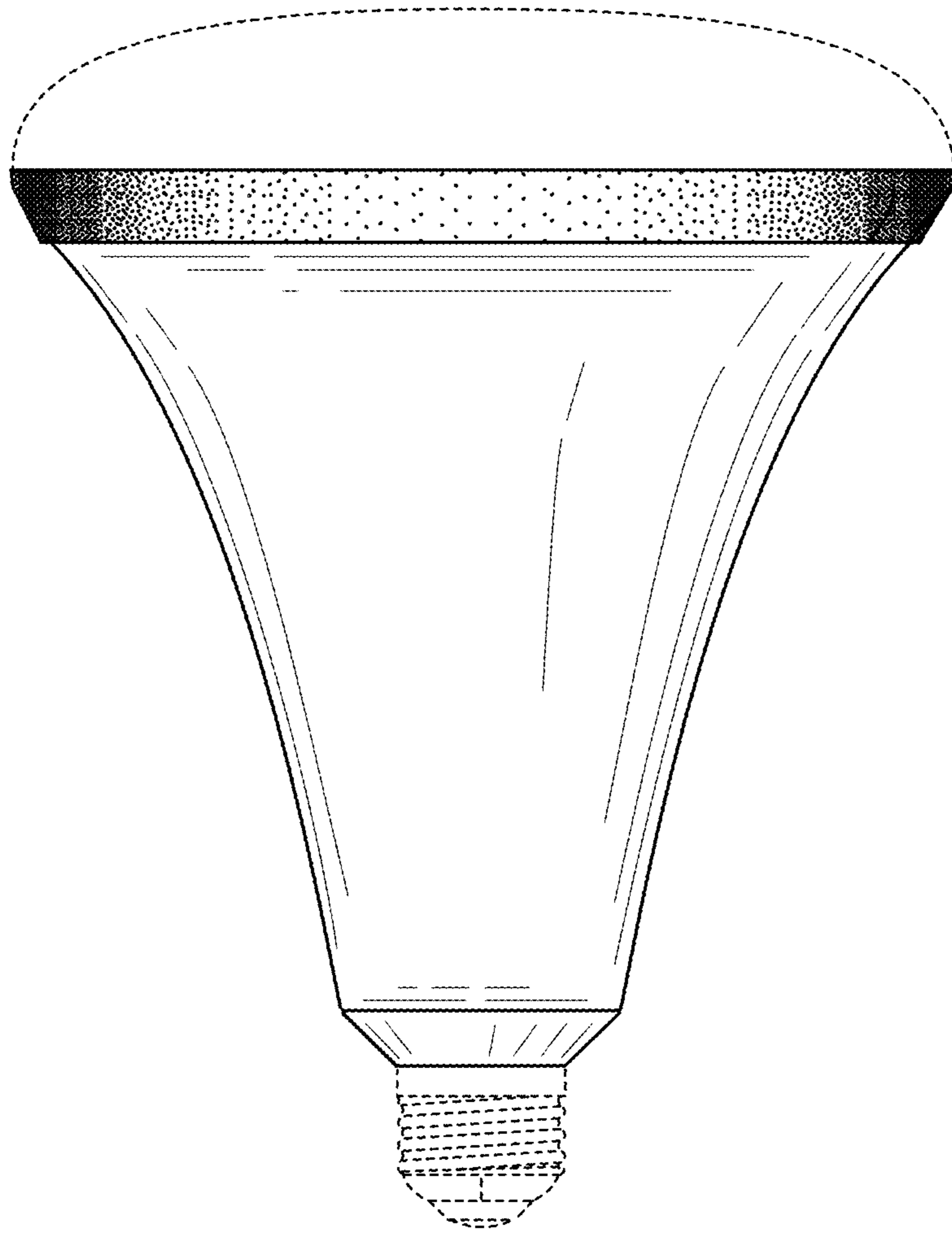


**FIG. 29**

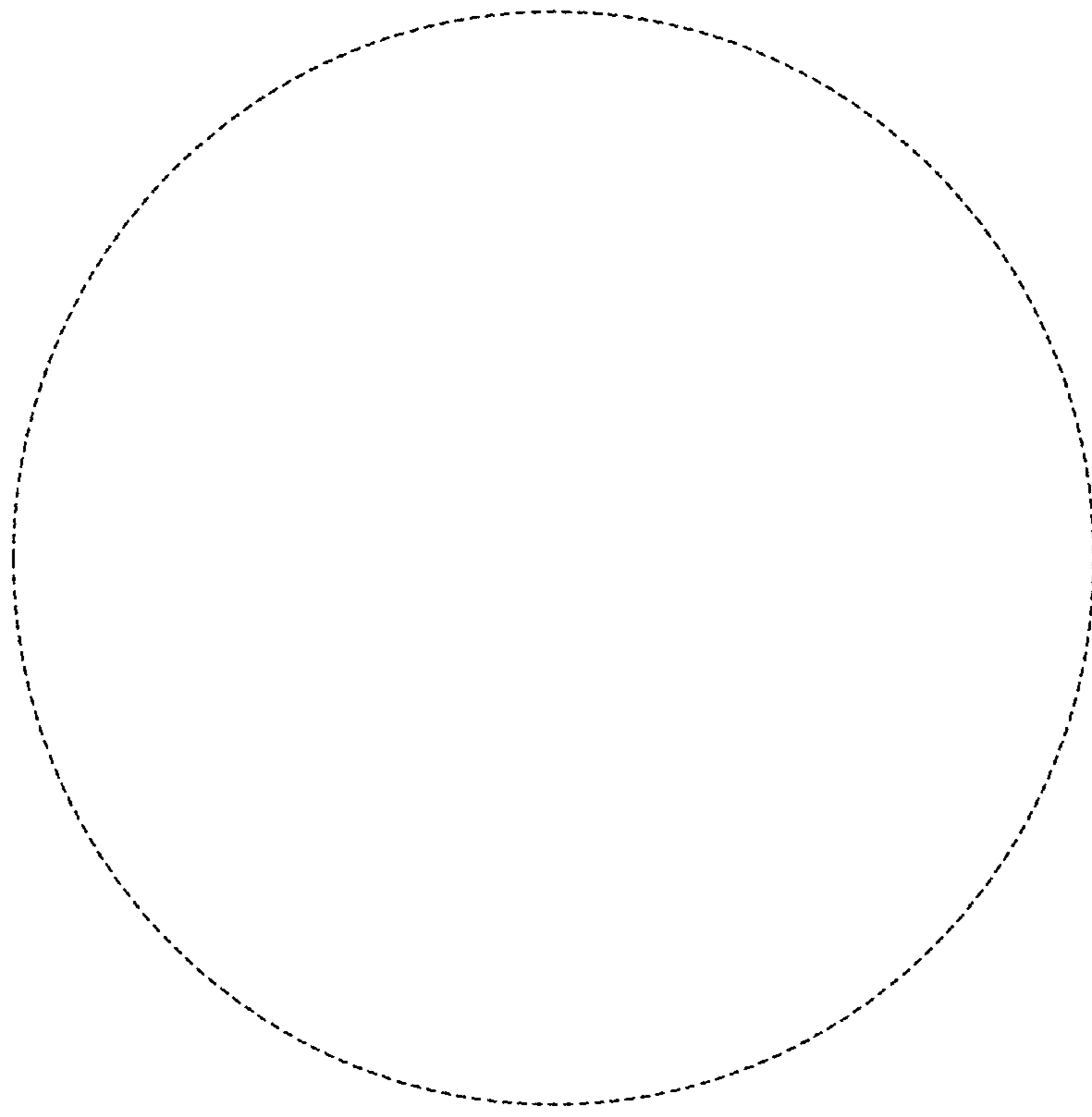


**FIG. 30**

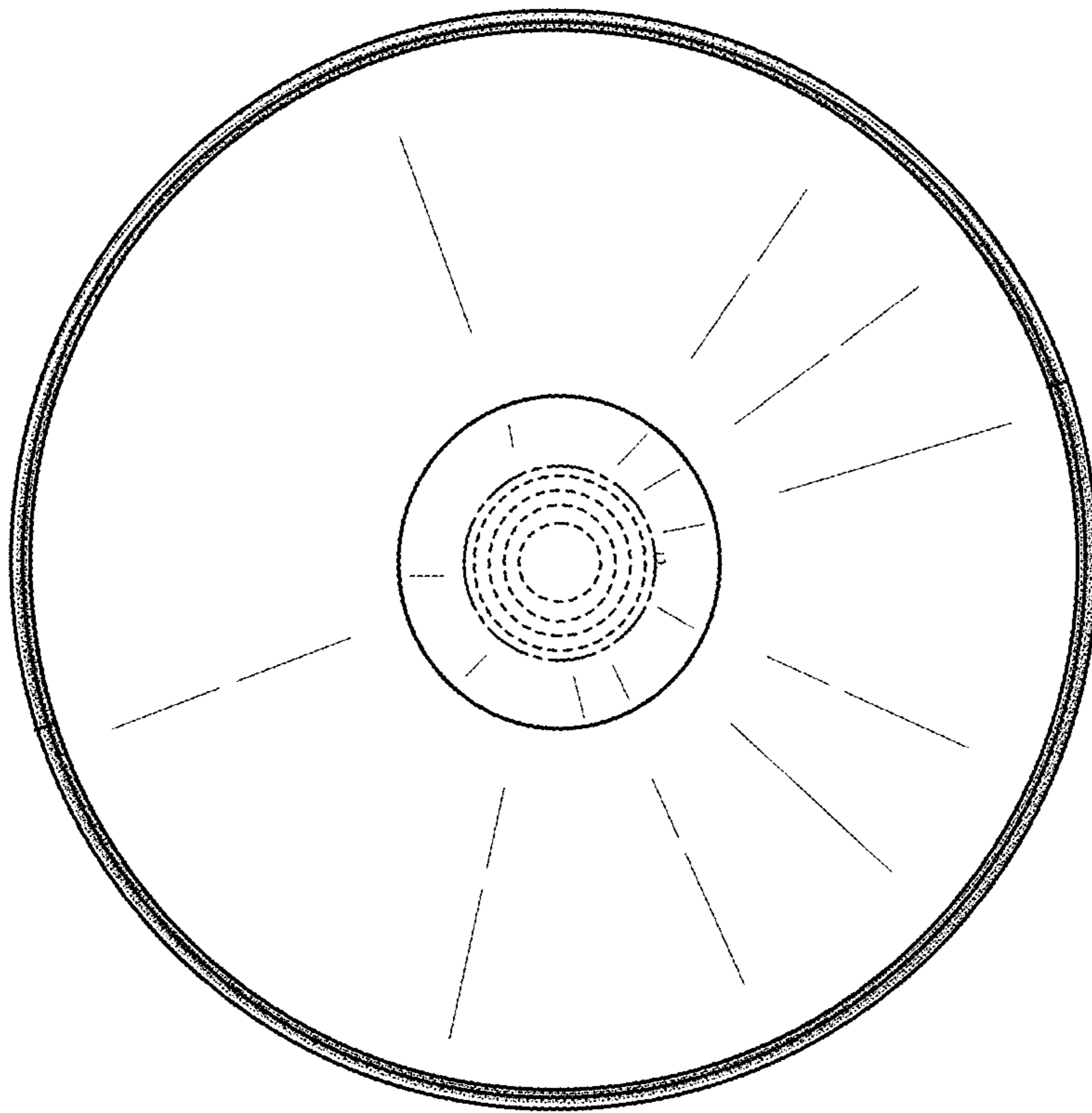




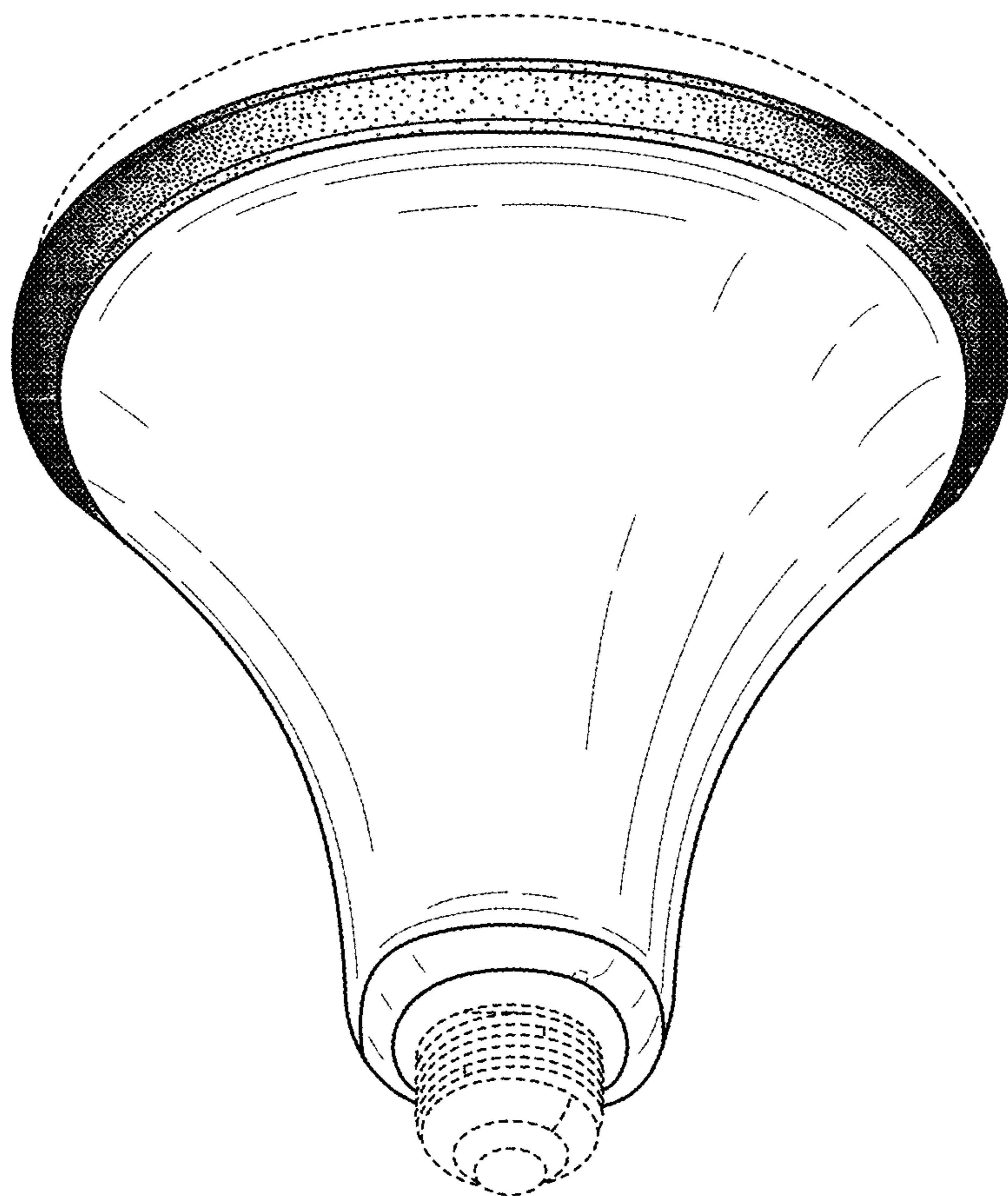
**FIG. 31**



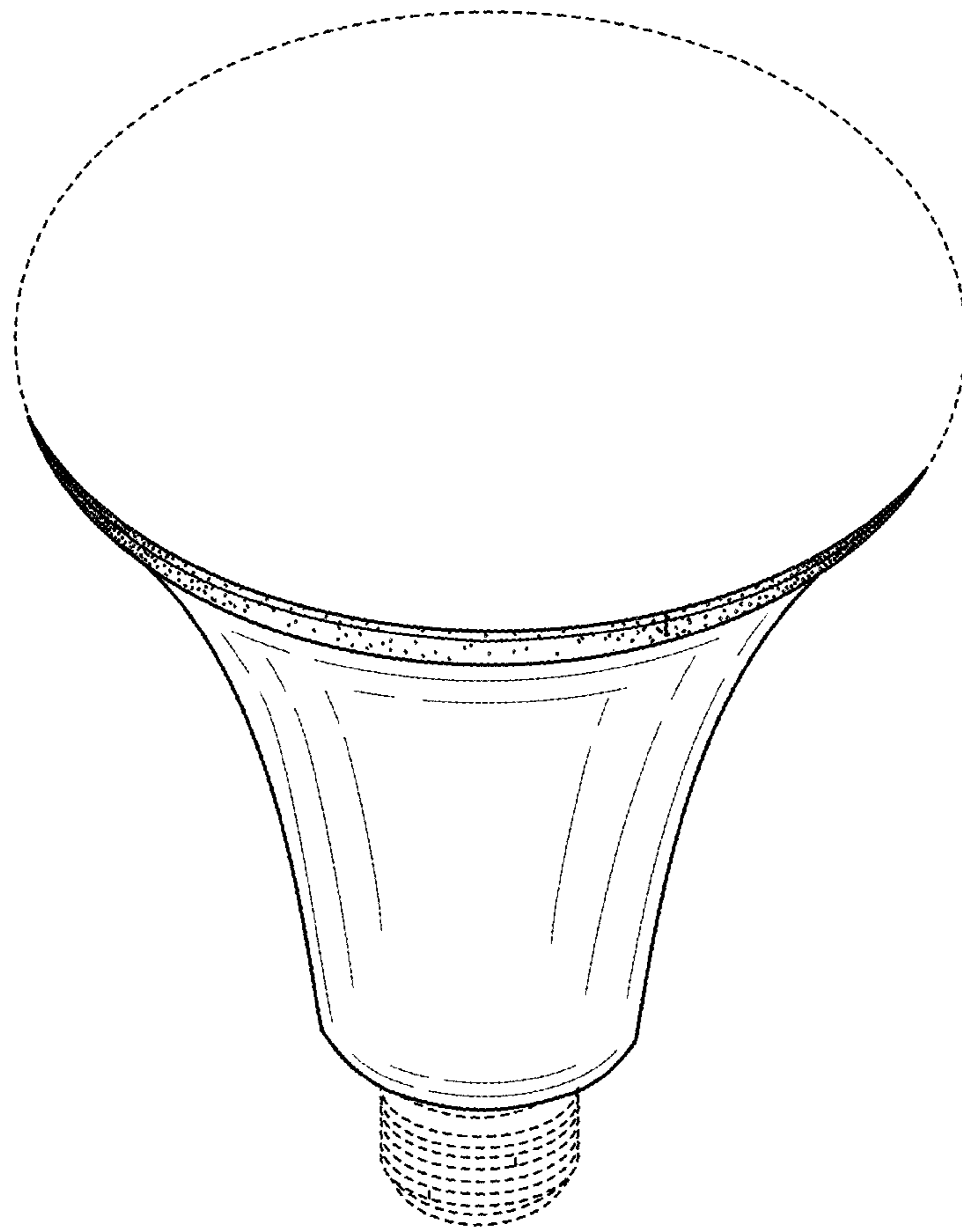
**FIG. 32**



**FIG. 33**



**FIG. 34**



**FIG. 35**