



US00D825782S

(12) **United States Design Patent** (10) **Patent No.:** **US D825,782 S**
Inzeo et al. (45) **Date of Patent:** **** Aug. 14, 2018**

(54) **FASCIA BASE BAR**
(71) Applicants: **Joseph A. Inzeo**, West Allis, WI (US);
Steven J. Goodman, Oconomowoc, WI (US)
(72) Inventors: **Joseph A. Inzeo**, West Allis, WI (US);
Steven J. Goodman, Oconomowoc, WI (US)
(73) Assignee: **METAL-ERA, INC.**, Waukesha, WI (US)

2001/2439; E04B 2001/2442; E04B 2001/2445; E04B 2001/2448; E04B 2001/2451; E04B 2001/2454; E04B 2001/2457; E04B 2001/246; E04B 2001/2463; E04C 3/00; E04C 3/005; E04C 3/02; E04C 3/04; E04C 3/12; E04C 3/20; E04C 3/28; E04C 3/30; E04F 19/02; E04F 19/022; E04F 19/026; E04F 19/028; E04F 19/04; E04F 19/0436; E04F 19/0481; E04F 19/0486; E04F 19/06; E04F 19/061; E04F

(Continued)

(**) Term: **15 Years**

(56) **References Cited**

(21) Appl. No.: **29/603,769**

U.S. PATENT DOCUMENTS

(22) Filed: **May 12, 2017**

3,703,061 A * 11/1972 Holland E06B 3/78

(51) **LOC (11) Cl.** **25-01**

D252,471 S * 7/1979 Broadbent D25/119

(52) **U.S. Cl.**

(Continued)

USPC **D25/119**

(58) **Field of Classification Search**

Primary Examiner — Cynthia Ramirez

USPC D25/35, 38.1, 41.1, 47.1, 48.2, 48.3, D25/48.4, 55, 119–137, 164, 199; D8/349, 353, 354, 355, 363, 373, 376, D8/380, 381, 382, 403; D6/324, 327, D6/648.1, 653.11, 654.11, 702, 712, D6/718.12, 512, 554, 556

Assistant Examiner — L. Martinez-Rivera

(74) *Attorney, Agent, or Firm* — Donald J. Ersler

CPC ... E06B 1/00; E06B 1/006; E06B 1/02; E06B 1/04; E06B 1/045; E06B 1/06; E06B 1/12; E06B 1/16; E06B 1/26; E06B 1/30; E06B 1/32; E06B 1/325; E06B 1/34; E06B 1/342; E06B 1/345; E06B 1/347; E06B 1/36; E06B 1/363; E06B 1/366; E06B 1/38; E06B 1/40; E06B 1/52; E06B 1/522; E06B 1/524; E06B 1/526; E06B 1/528; E06B 1/56; E06B 1/60; E06B 1/6092; E06B 1/62; E06B 1/70; E06B 1/702; E06B 1/705; E06B 1/707; E04B 2/00; E04B 2/74; E04B 2/76; E04B 2/761; E04B 2/762; E04B 2/763; E04B 2/764; E04B 2/765; E04B 2/7854; E04B 2/7863; E04B 2/7872; E04B 2/7881; E04B 2/789; E04B 2001/2436; E04B

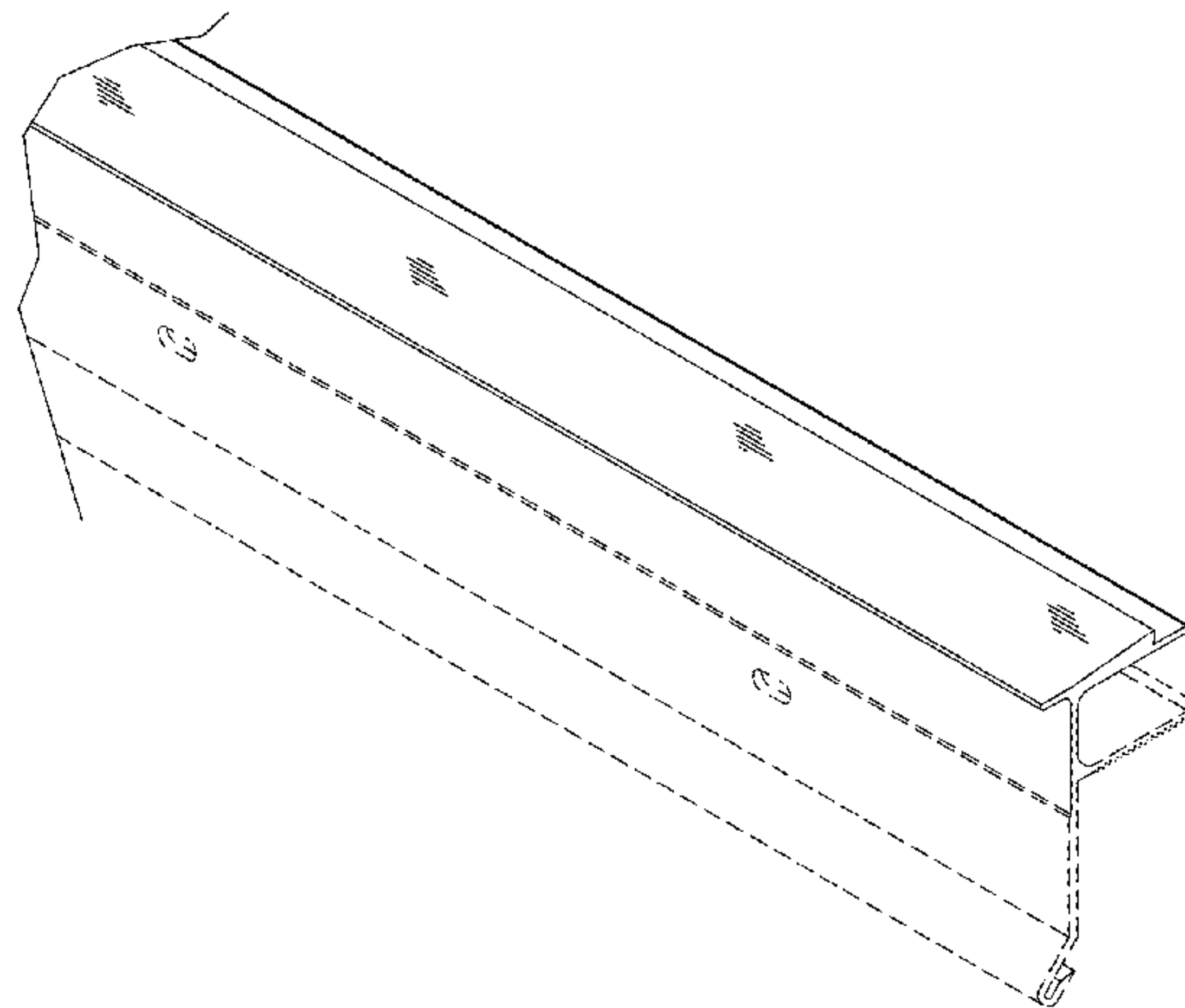
(57) **CLAIM**

The ornamental design for a fascia base bar, as shown and described.

DESCRIPTION

FIG. 1 is a top perspective view of a fascia base bar incorporating our new design;
FIG. 2 is a bottom perspective view thereof;
FIG. 3 is top plan view thereof;
FIG. 4 is a bottom plan view thereof.
FIG. 5 is a left end view thereof;
FIG. 6 is a front elevation view thereof; and,
FIG. 7 is a rear elevation view thereof.
The broken lines shown in the drawings illustrate portions of the fascia base bar that form no part of the claimed invention.

1 Claim, 6 Drawing Sheets



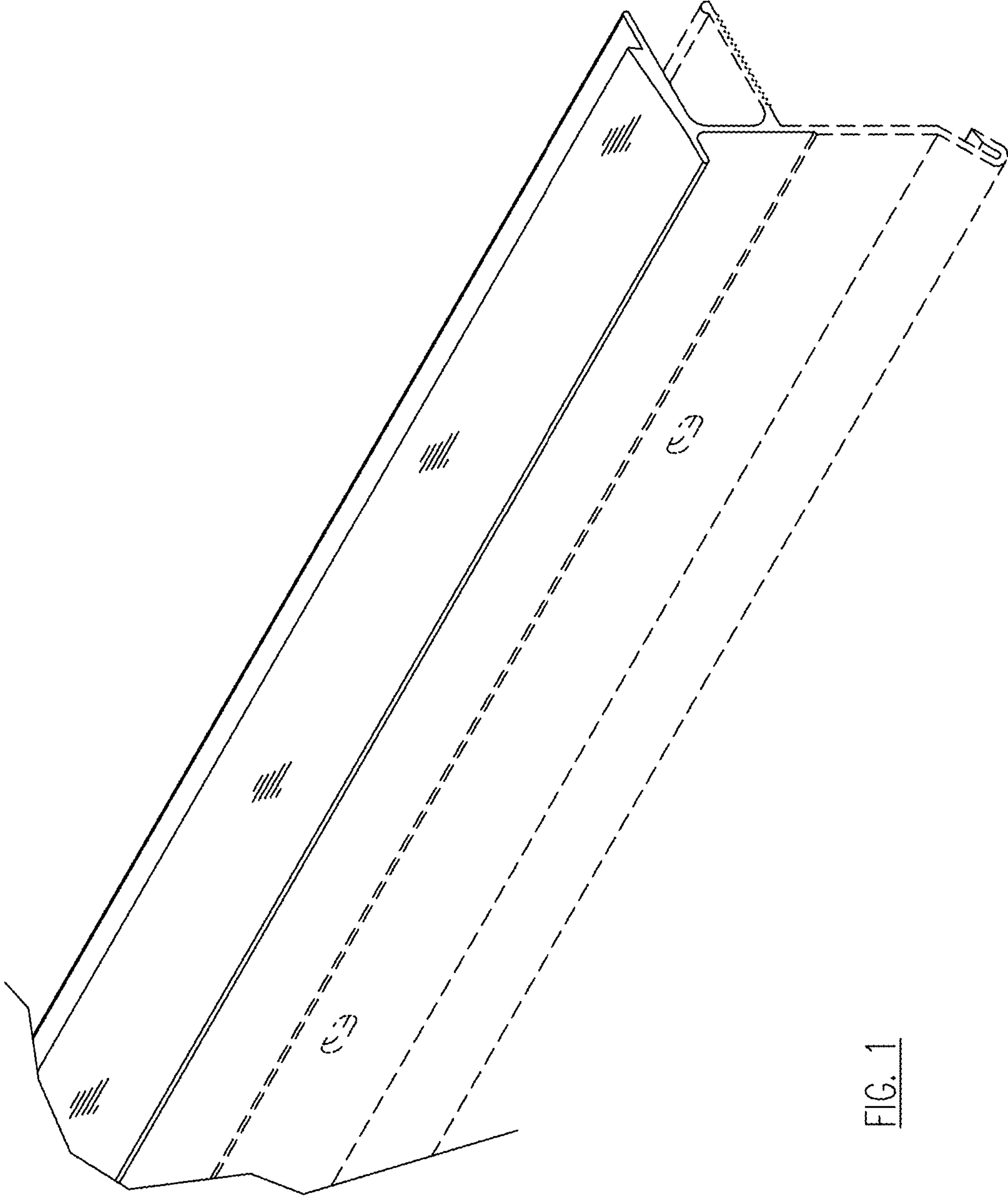


FIG. 1

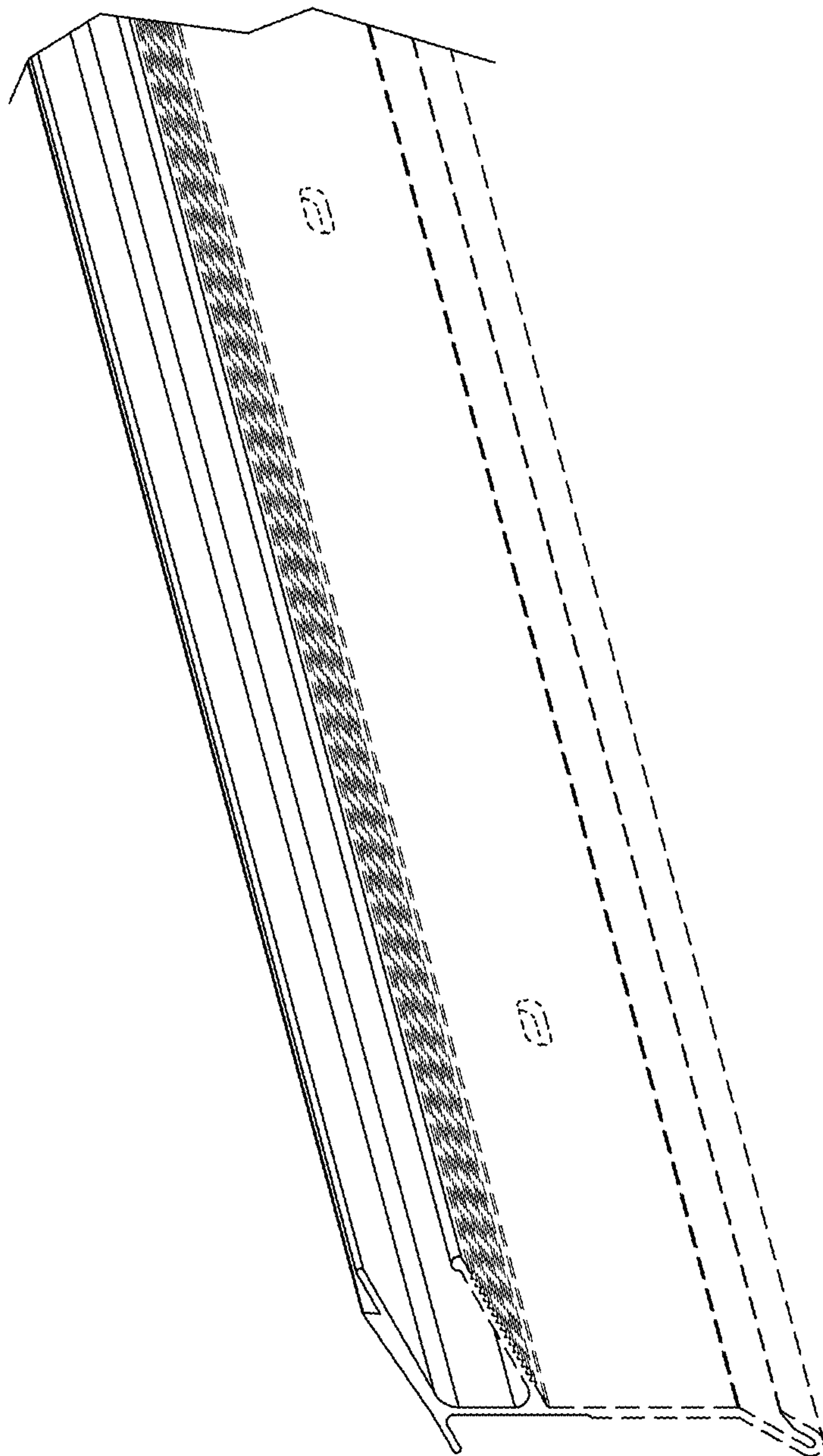


FIG. 2

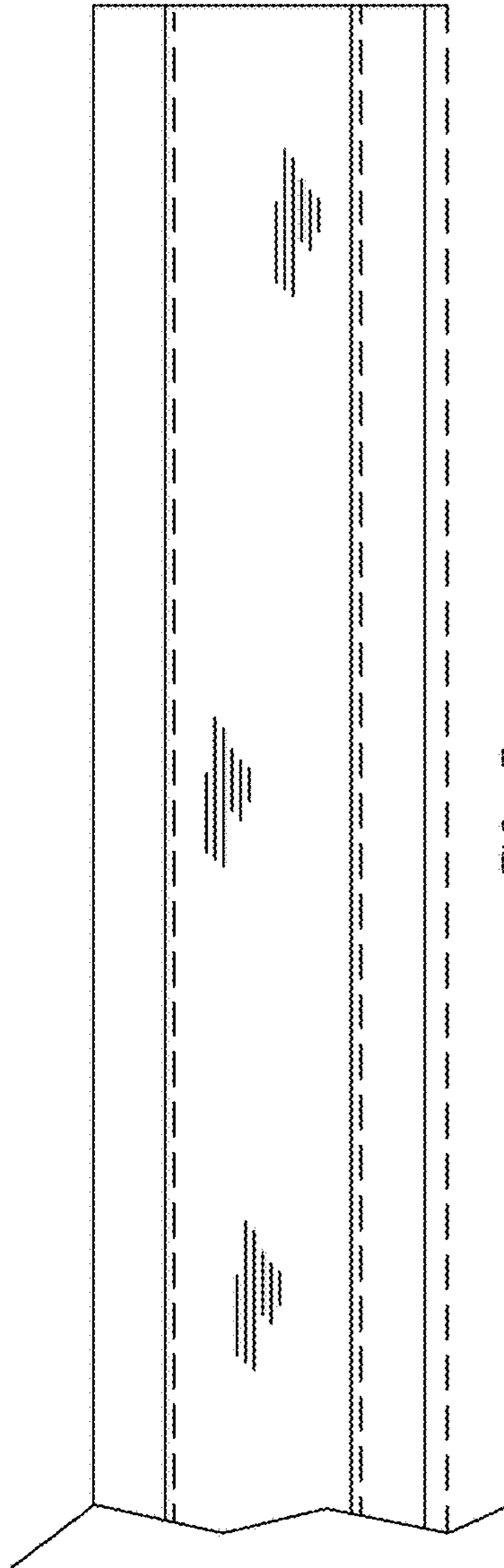


FIG. 3

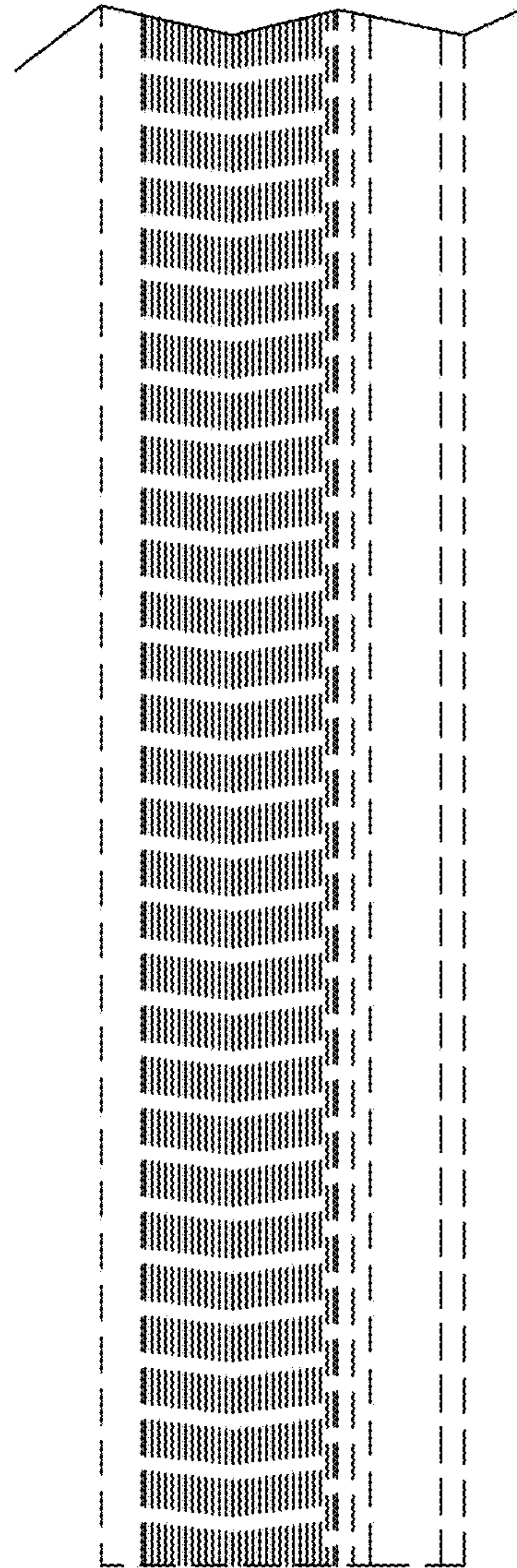


FIG. 4

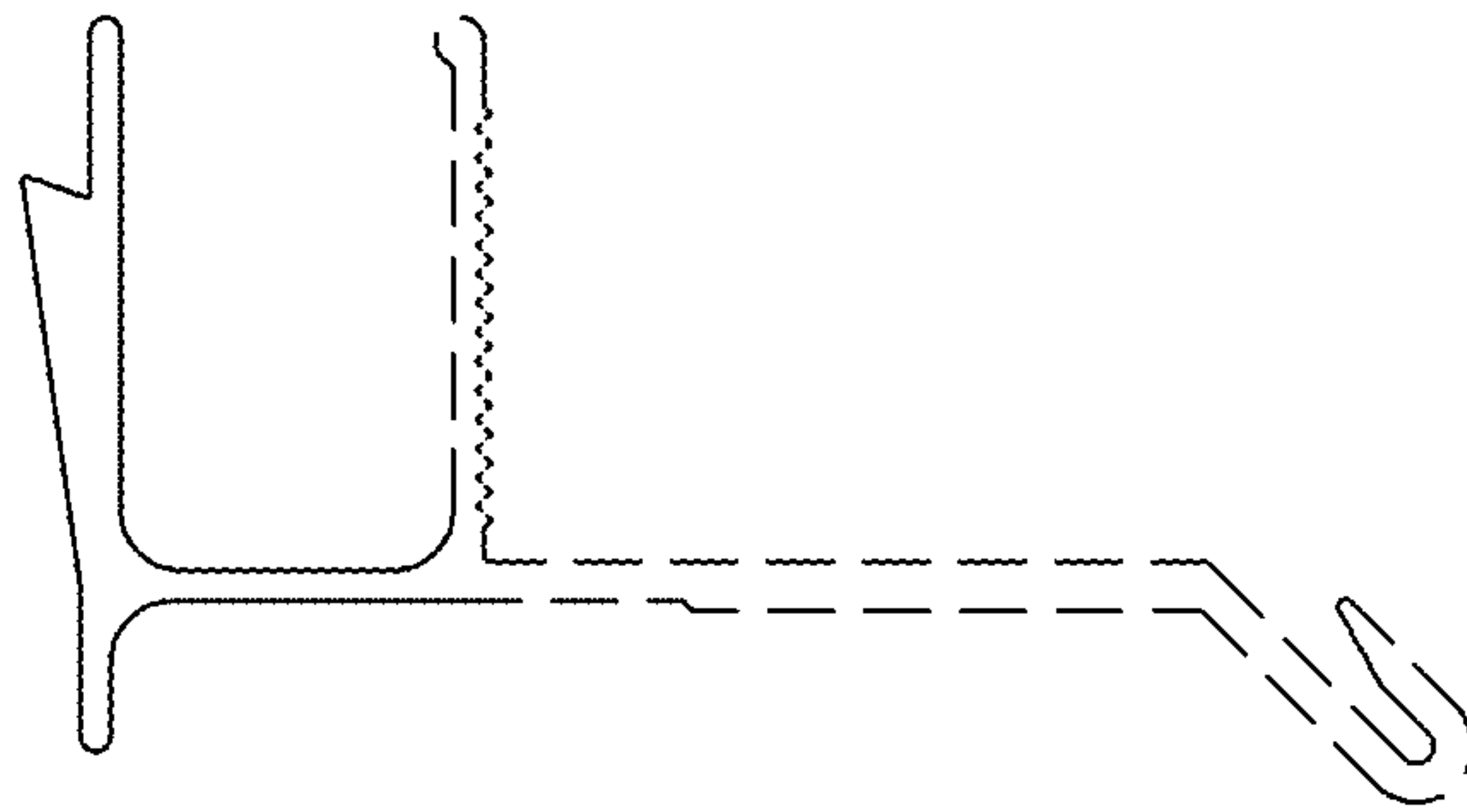


FIG. 5

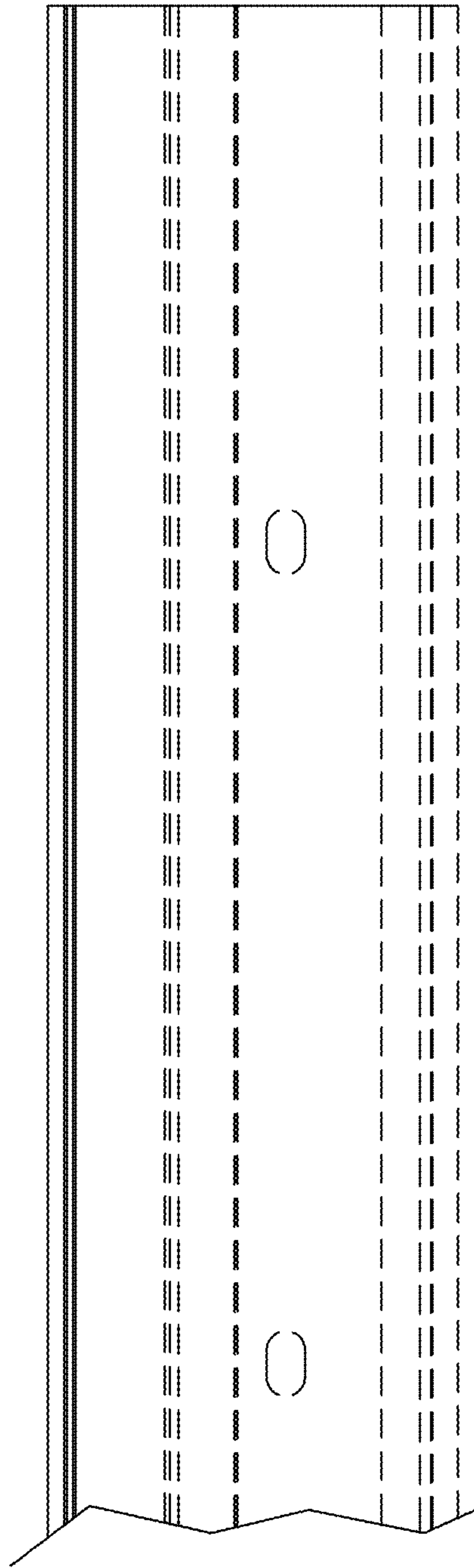


FIG. 6

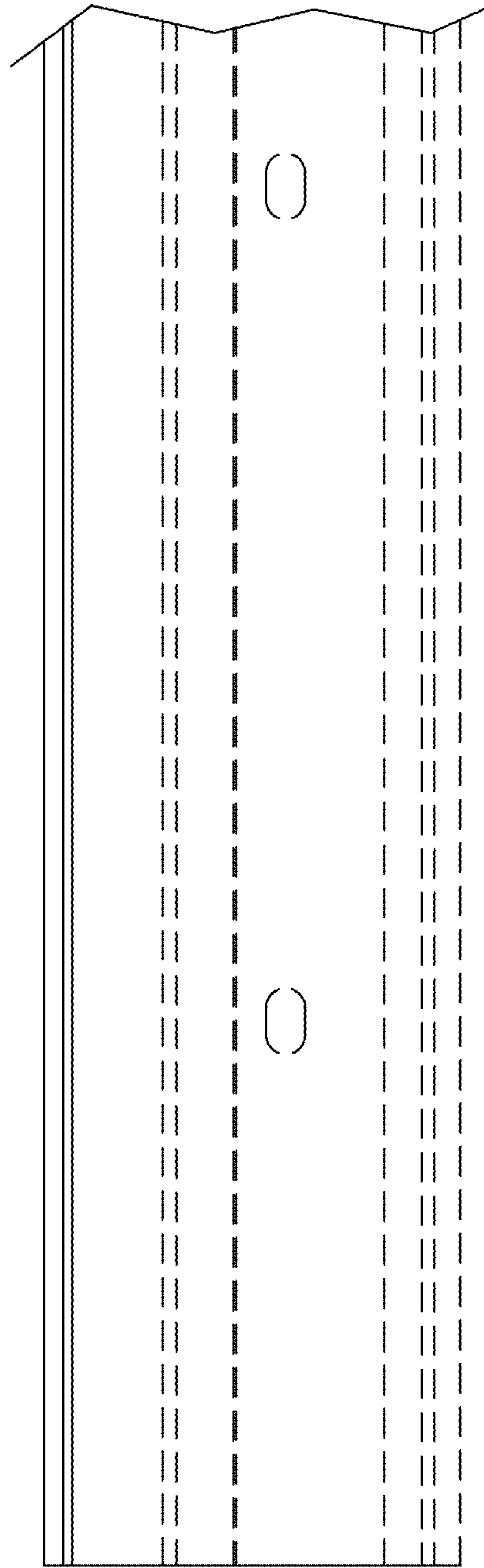


FIG. 7