



US00D825781S

(12) **United States Design Patent**
Behrooznia et al.

(10) **Patent No.:** **US D825,781 S**
(45) **Date of Patent:** **** Aug. 14, 2018**

(54) **ACCESS GATE WITH OPTICAL READER**

(71) Applicant: **Cubic Corporation**, San Diego, CA
(US)

(72) Inventors: **Rasheed Behrooznia**, San Diego, CA
(US); **Christina Nilles**, San Diego, CA
(US); **Michael Hilton**, Carlsbad, CA
(US)

(73) Assignee: **CUBIC CORPORATION**, San Diego,
CA (US)

(**) Term: **15 Years**

(21) Appl. No.: **29/566,670**

(22) Filed: **Jun. 1, 2016**

(51) **LOC (11) Cl.** **25-02**

(52) **U.S. Cl.**
USPC **D25/48.6**; D25/48.5; D14/420

(58) **Field of Classification Search**
USPC D14/420, 453; D25/48.6, 48.5, 39, 138;
D10/104.1; 235/382, 380, 375, 382.5,
235/384, 451, 492, 449; 382/140; 49/47,
49/35, 25, 49, 104, 68, 31, 34, 44, 93, 95,
49/139, 340, 70, 274, 381, 109; 70/101,
70/277, 278.1; 24/326; 340/5.2, 5.6,
340/5.64-5.66, 5.7, 5.8, 5.81, 5.82, 5.83,
340/5.24-5.28, 5.3, 5.4, 5.42, 5.86, 572.9,
340/574, 540, 541

CPC G07C 9/02; G07C 9/025; G07C 9/00158;
G07C 9/00119; G07C 9/00111; G07C
9/00103; G07C 9/00944; G07C 9/00087;
G07C 9/00007; G07C 9/00015; G07C
11/00; G07C 2009/00976; E06B 11/08;
E06B 11/085; G07B 15/00; G07B 15/04;
Y10T 70/5199; Y10T 70/7062; Y10T
70/7068; G06K 7/00; G06K 7/10128;
G06K 7/10425; G06K 7/10009; G06K
19/10; E05F 15/00; E05F 15/73; E05F
15/70; E05F 15/77; E05F 15/203; E05F

15/76; E05F 15/75; E05F 15/2092; E05F
15/2046; E05F 15/74; E05F 2015/765;
E05F 17/004; H04W 4/80; E05B
65/0071; E05B 65/08; E05G 5/003; E05G
5/02; E05Y 2800/426; G07F 17/0014;
G07F 17/14; G07F 17/145; G07F 7/10;
G07F 7/0893; G07F 7/00; G07F 7/005;
G07F 7/02; G07F 7/025; G07F 7/08;
G07F 7/086; G07F 7/1008; G07F 7/0873

See application file for complete search history.

(56) **References Cited**

U.S. PATENT DOCUMENTS

3,386,202 A * 6/1968 Crews G07F 17/145
49/264
D212,289 S * 9/1968 Ensign D25/48.6
3,606,698 A * 9/1971 Tanaka et al. G07C 9/025
340/5.3

(Continued)

Primary Examiner — Susan Moon Lee

(74) *Attorney, Agent, or Firm* — Kilpatrick Townsend &
Stockton, LLP

(57) **CLAIM**

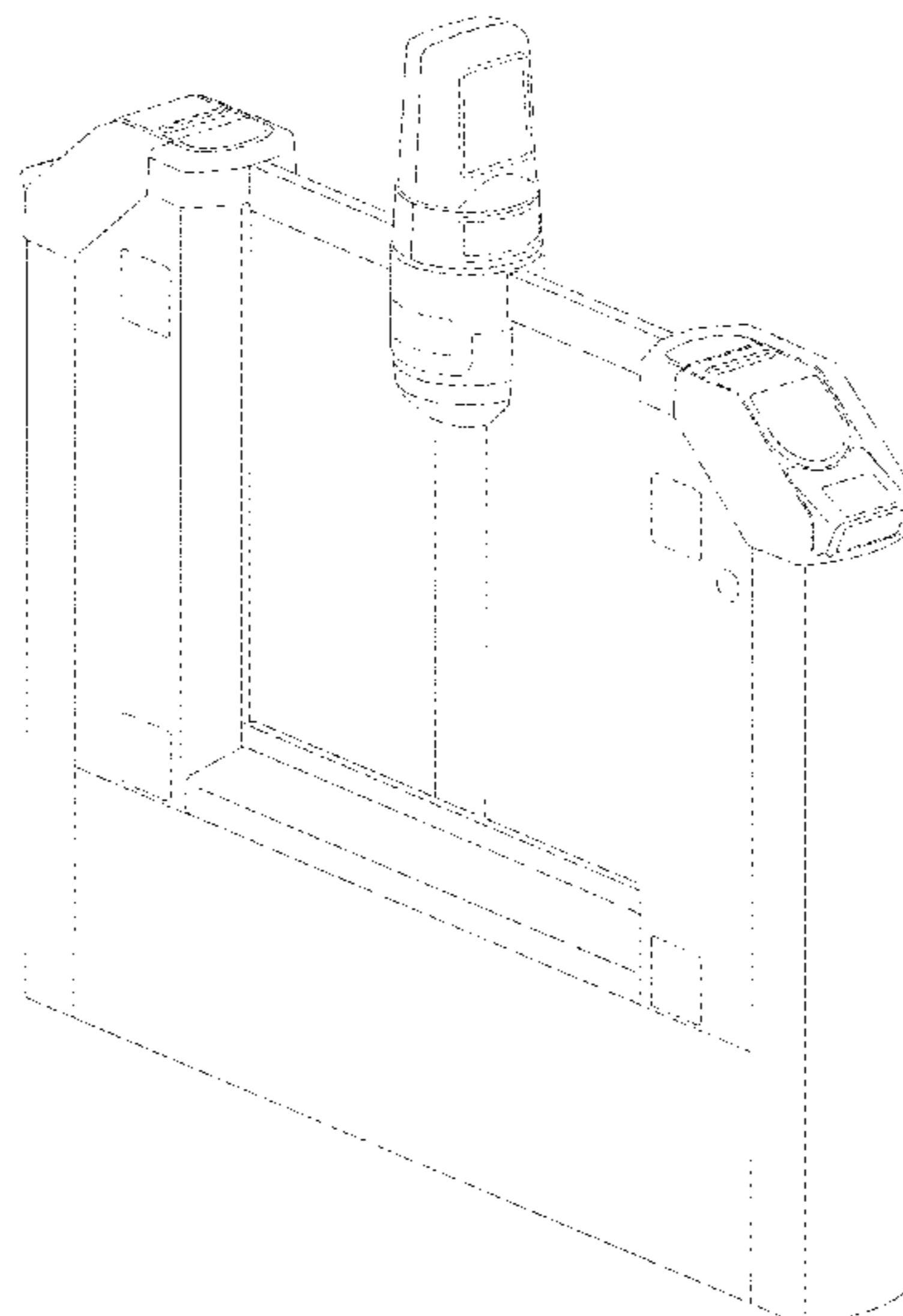
We claim the ornamental design for an access gate with
optical reader, as shown and described.

DESCRIPTION

FIG. 1 is a perspective view of an access gate with optical
reader, showing our new design;
FIG. 2 is a left and right side view thereof;
FIG. 3 is a front and back view thereof;
FIG. 4 is a top view thereof; and,
FIG. 5 is a bottom view thereof.

The broken lines depict exemplary unclaimed features of the
access gate with optical reader, shown for purposes of
illustration, and form no part of the claimed design.

1 Claim, 5 Drawing Sheets



(56)

References Cited

U.S. PATENT DOCUMENTS

3,742,647	A *	7/1973	Tomita	E06B 11/085 49/104	2001/0017317	A1 *	8/2001	Ishigame	G07B 11/00 235/384
D234,431	S *	3/1975	McGehee	D25/48.6	2001/0017585	A1 *	8/2001	Kobayashi	G07C 9/02 340/5.66
D275,797	S *	10/1984	Nishida	D25/48.6	2002/0070276	A1 *	6/2002	Kocznar	G06K 7/10693 235/462.13
D284,511	S *	7/1986	Smith	D25/48.6	2003/0111530	A1 *	6/2003	Iki	G07B 15/00 235/382
D284,512	S *	7/1986	Smith	D25/48.6	2005/0092831	A1 *	5/2005	Sandoval	G07B 15/04 235/382
4,918,298	A *	4/1990	Tanabe	B65H 29/64 235/382	2005/0224313	A1 *	10/2005	Hilton	G07C 9/025 194/211
5,390,444	A *	2/1995	Simonin	E06B 11/08 49/47	2006/0027649	A1 *	2/2006	Kocznar	G07C 9/00944 235/382
5,397,883	A *	3/1995	Miyashita	G06K 7/087 235/380	2006/0101716	A1 *	5/2006	Vandyck	G07C 9/02 49/35
5,414,249	A *	5/1995	Matsumoto	G07C 9/00111 235/380	2006/0278704	A1 *	12/2006	Saunders	G06Q 20/10 235/382
5,424,523	A *	6/1995	Ohno	G06K 7/084 235/449	2007/0205279	A1 *	9/2007	Bistany	G01N 1/2214 235/384
5,740,369	A *	4/1998	Yokozawa	G06F 1/1626 235/382	2007/0222554	A1 *	9/2007	Hart	G07C 9/00071 340/5.6
D401,571	S *	11/1998	Butts	D14/385	2007/0271846	A1 *	11/2007	Miller	E06B 11/085 49/49
5,877,484	A *	3/1999	Hirose	G06K 19/0723 235/375	2009/0032585	A1 *	2/2009	Kocznar	E06B 11/085 235/382
5,969,332	A *	10/1999	Ueda	G06Q 20/045 235/492	2009/0307976	A1 *	12/2009	Burgin	E06B 11/08 49/47
5,995,018	A *	11/1999	Hane	G06K 19/0723 235/375	2011/0277518	A1 *	11/2011	Lais	G07C 9/00087 70/101
6,450,404	B1 *	9/2002	Imazuka	G06Q 10/02 235/380	2013/0135438	A1 *	5/2013	Lee	H04N 13/0271 348/46
6,556,126	B1 *	4/2003	Imazuka	G07B 15/063 235/382	2013/0259325	A1 *	10/2013	Tsou	G06K 9/00302 382/118
6,595,569	B1 *	7/2003	McKinney	B60P 1/26 160/201	2013/0277639	A1 *	10/2013	BrightSky	H01L 27/2454 257/5
D502,551	S *	3/2005	Hotaling	D25/48.5	2016/0042333	A1 *	2/2016	Ho	G06Q 20/18 705/41
7,061,383	B2 *	6/2006	Davis	G06Q 10/02 340/5.81	2016/0055697	A1 *	2/2016	Raina	G07C 9/00111 340/5.7
D556,344	S *	11/2007	Robinson	D25/48.5	2016/0060944	A1 *	3/2016	Perkins	E06B 11/08 49/14
7,455,228	B2 *	11/2008	Ponert	E06B 11/08 235/382.5	2016/0371893	A1 *	12/2016	Busch- Sorensen	G06K 7/10128
D612,952	S *	3/2010	Balastik	D25/48.6	2017/0020410	A1 *	1/2017	Pavoni	A61N 1/403
8,127,492	B1 *	3/2012	Hellman, Sr.	E06B 11/085 49/49	2017/0124773	A1 *	5/2017	Busch-Sorensen ...	G07B 15/00
8,413,380	B1 *	4/2013	Bredl	E05D 7/02 49/236	2017/0243415	A1 *	8/2017	Huff	G07C 9/00071
D696,792	S *	12/2013	Cheong	D25/48.5	2018/0075667	A1 *	3/2018	Busch-Sorensen	G06K 7/10425
8,994,096	B2 *	3/2015	Golubovic	H01L 27/11568 257/326					
9,189,674	B2 *	11/2015	Leitner	G06K 7/1417					
9,215,004	B2 *	12/2015	Ogura	H04B 7/26					
D748,506	S *	2/2016	Stecker	D10/70					
D750,513	S *	3/2016	King	D10/70					
D768,013	S *	10/2016	Stecker	D10/70					
D782,700	S *	3/2017	Rauta	D25/48.5					

* cited by examiner

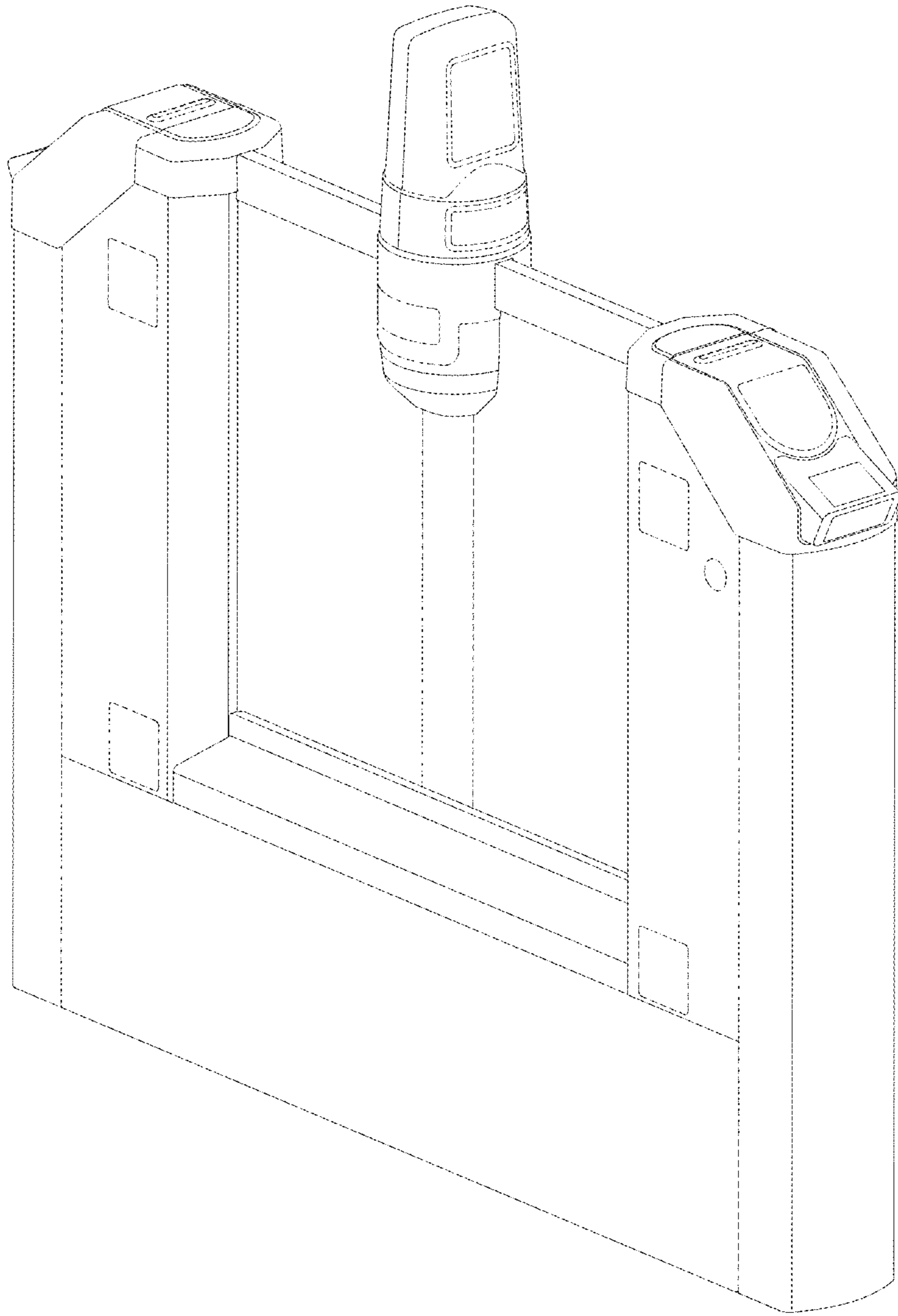


FIG.1

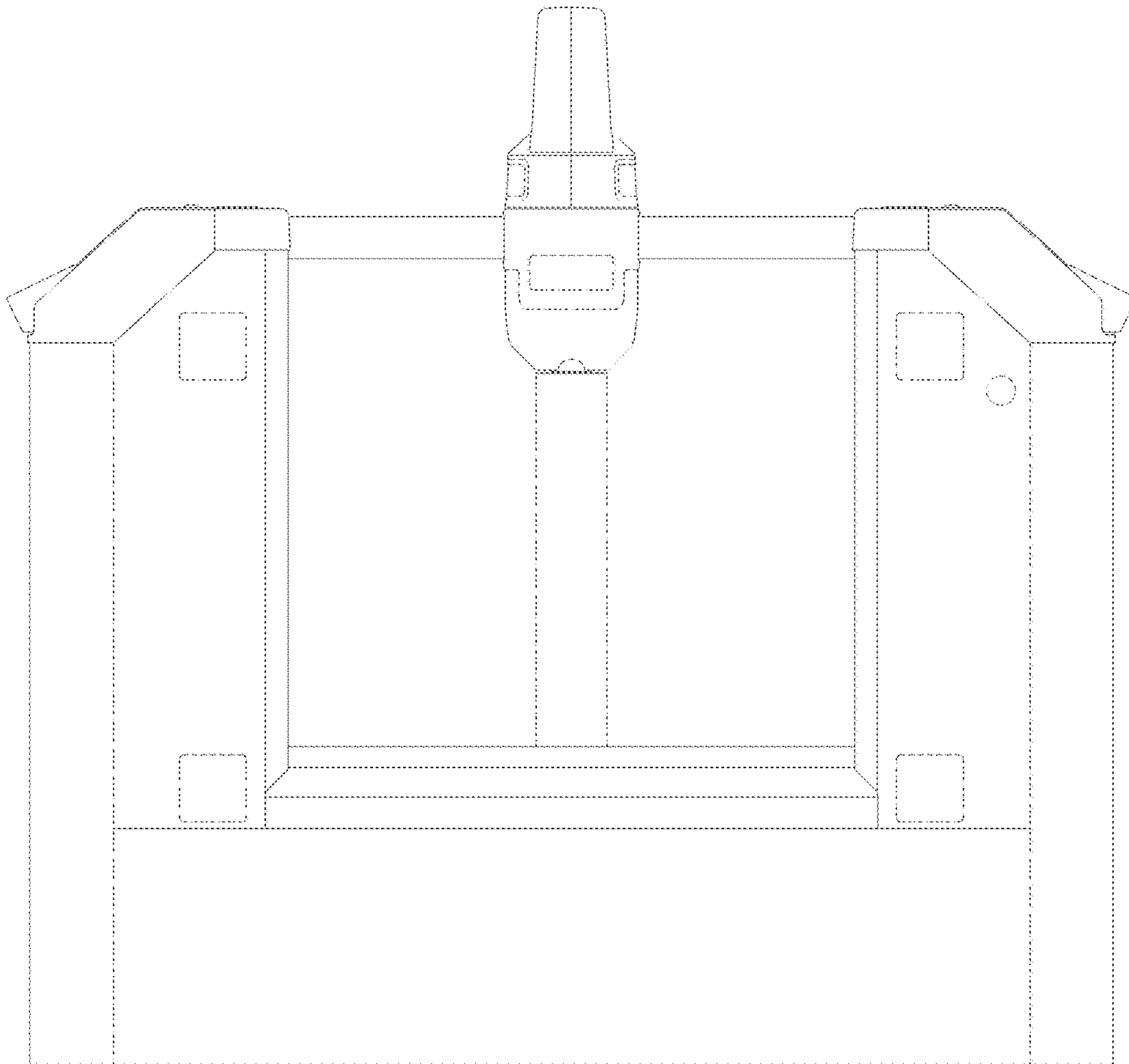


FIG. 2

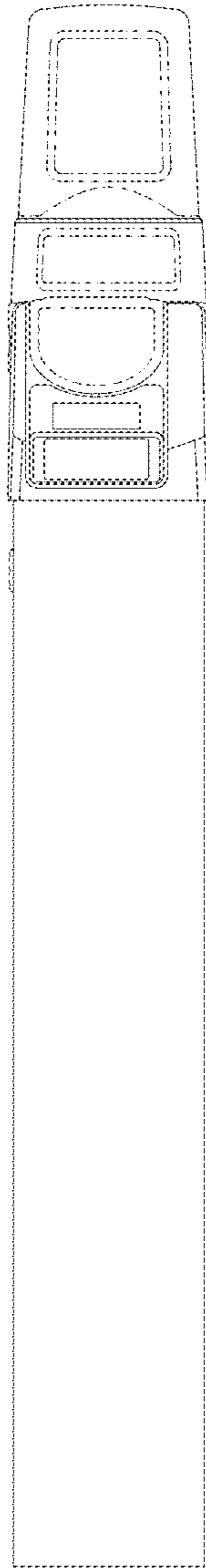


FIG.3

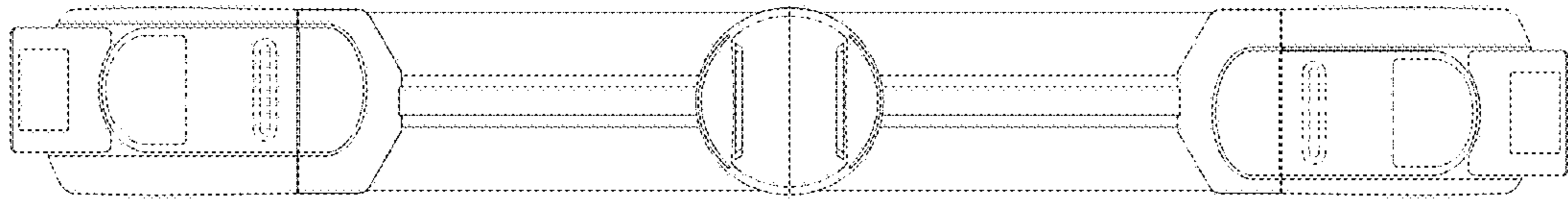


FIG.4

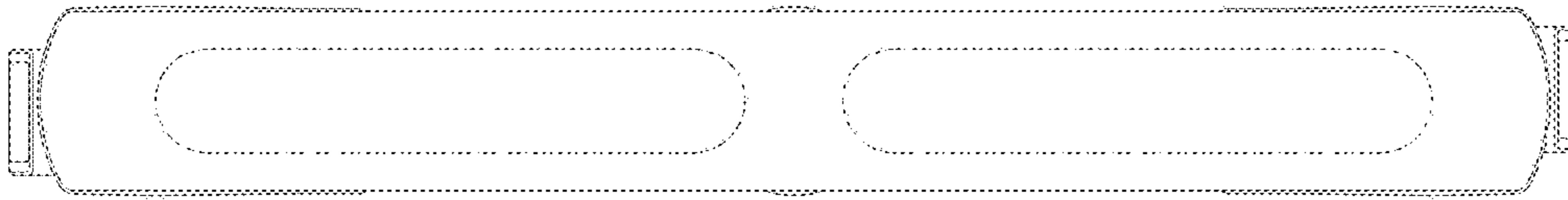


FIG.5