



US00D825778S

(12) **United States Design Patent** (10) **Patent No.:** **US D825,778 S**
Brenner et al. (45) **Date of Patent:** **** Aug. 14, 2018**

(54) **VIAL HEATING DEVICE**
(71) Applicant: **MedCision, Inc.**, San Rafael, CA (US)
(72) Inventors: **Jaime Brenner**, San Francisco, CA (US); **Brian Schryver**, San Rafael, CA (US); **Eric Kunkel**, San Mateo, CA (US); **Scott Comiso**, Menlo Park, CA (US); **Marc Mendoza**, Santa Clara, CA (US); **Alex Dzigurski**, Mountain View, CA (US); **Tark Abed**, Mountain View, CA (US)

(73) Assignee: **Medcison, LLC**, San Rafael, CA (US)

(**) Term: **15 Years**

(21) Appl. No.: **29/602,234**

(22) Filed: **Apr. 28, 2017**

(51) **LOC (11) Cl.** **24-01**

(52) **U.S. Cl.**
USPC **D24/232**

(58) **Field of Classification Search**
USPC D24/107, 169, 185, 186, 216–219, D24/231–234; D10/81
CPC G01N 21/6428; G01N 21/645; G01N 2201/068; C12Q 1/686; B01L 7/52; B01L 2200/16; B01L 2200/18; B01L 2300/0809; B01L 2300/1805
See application file for complete search history.

(56) **References Cited**

U.S. PATENT DOCUMENTS

D459,481 S * 6/2002 Levin D24/232
D561,349 S * 2/2008 Levin D24/232
D645,975 S * 9/2011 Barkey D24/232
D658,307 S * 4/2012 Recchi D24/216
D719,673 S * 12/2014 Leyva D24/217

2006/0088931 A1* 4/2006 Ririe B01L 3/505
435/304.1
2009/0098593 A1* 4/2009 Ehrhardt B01L 7/00
435/29
2013/0091890 A1* 4/2013 Schryver B01L 7/50
62/440
2015/0334774 A1* 11/2015 Schryver B01L 7/00
219/439
2017/0282184 A1* 10/2017 Li C12Q 1/68

* cited by examiner

Primary Examiner — Anhdao Doan

(74) *Attorney, Agent, or Firm* — Kilpatrick Townsend & Stockton LLP

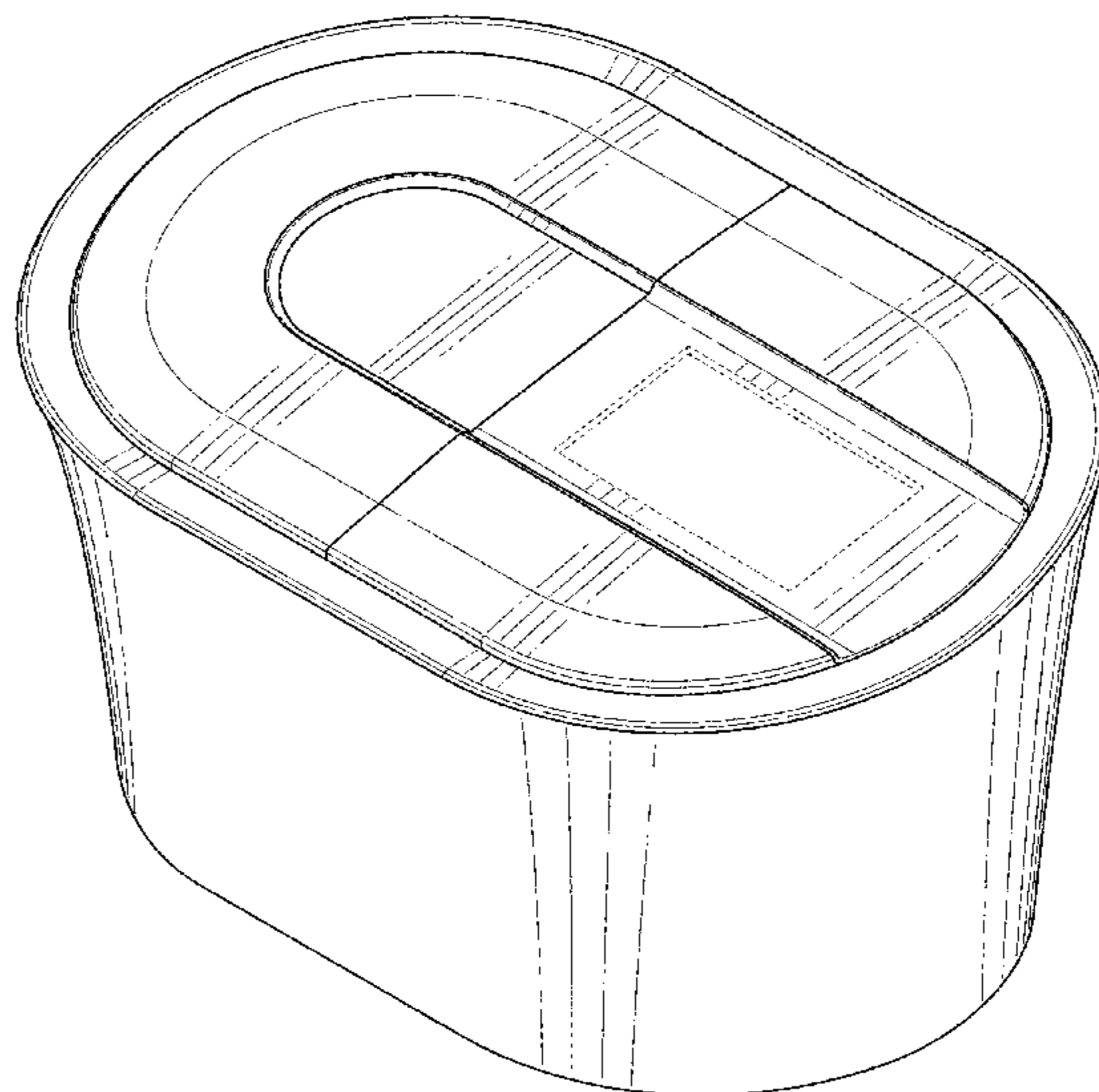
(57) **CLAIM**

The ornamental design for a vial heating device, as shown and described.

DESCRIPTION

FIG. 1 is a top-front perspective view of a vial heating device showing our new design;
FIG. 2 is a bottom-rear perspective view thereof;
FIG. 3 is a front elevational view thereof;
FIG. 4 is a rear elevational view thereof;
FIG. 5 is a right side elevational view thereof;
FIG. 6 is a left side elevational view thereof;
FIG. 7 is a top plan view thereof;
FIG. 8 is a bottom plan view thereof;
FIG. 9 is a top-front perspective view of the vial heating device in a secondary configuration; and,
FIG. 10 is a top-rear perspective view of the vial heating device in the secondary configuration.
The broken lines immediately adjacent the shaded areas represent the bounds of the claim, while all other broken lines are directed to environment and are for illustrative purposes only; the broken lines form no part of the claimed design.

1 Claim, 10 Drawing Sheets



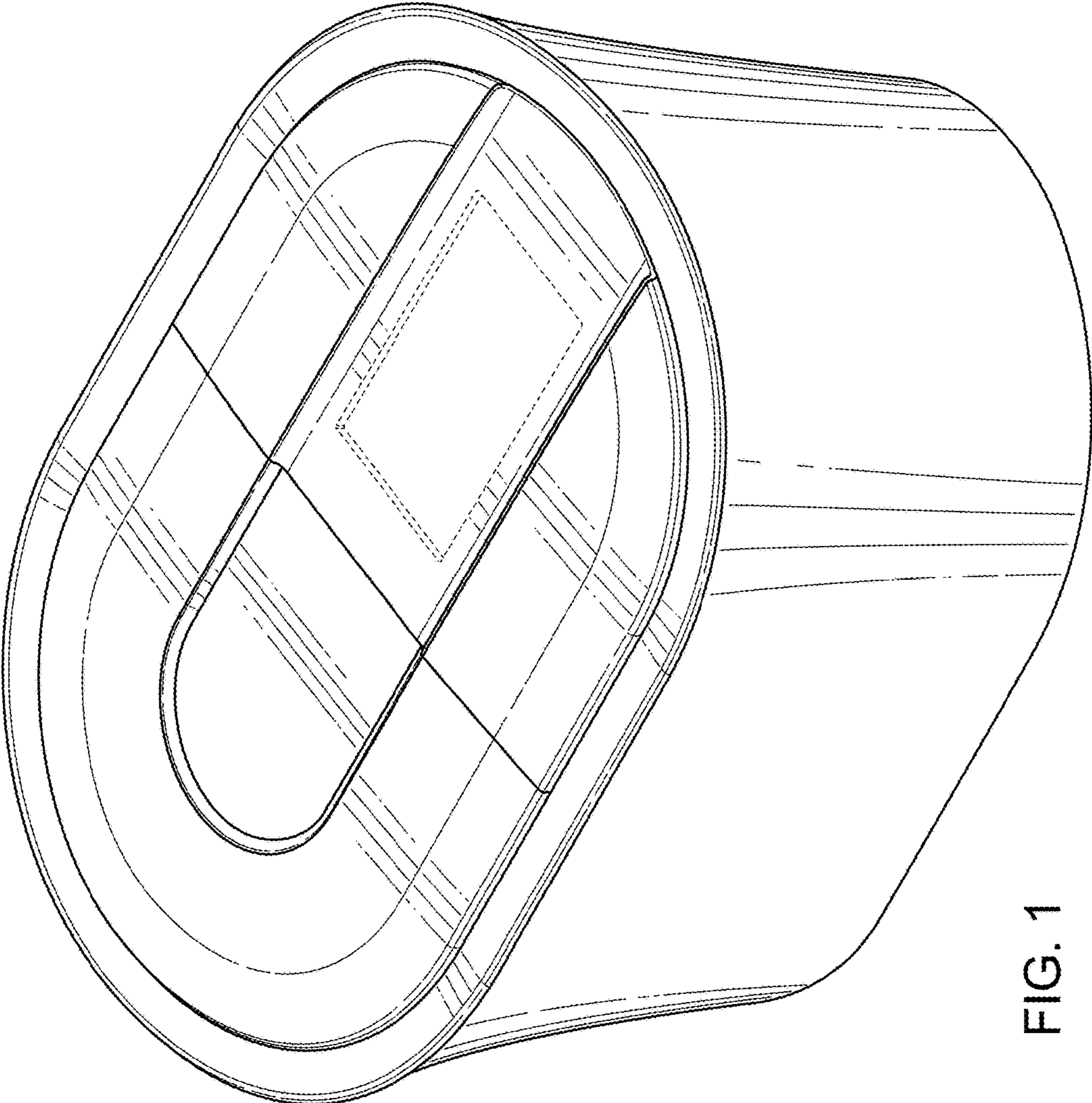


FIG. 1

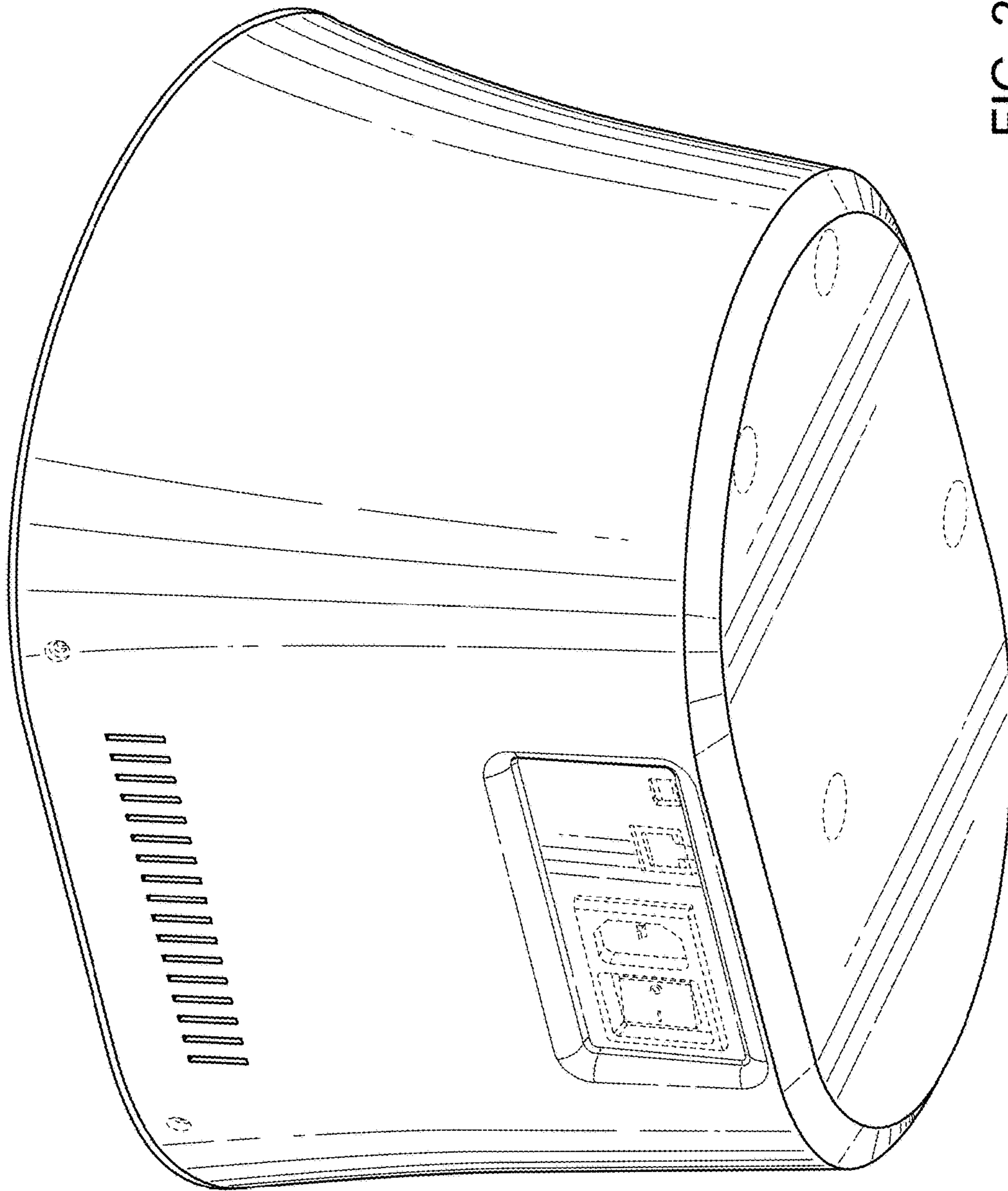


FIG. 2

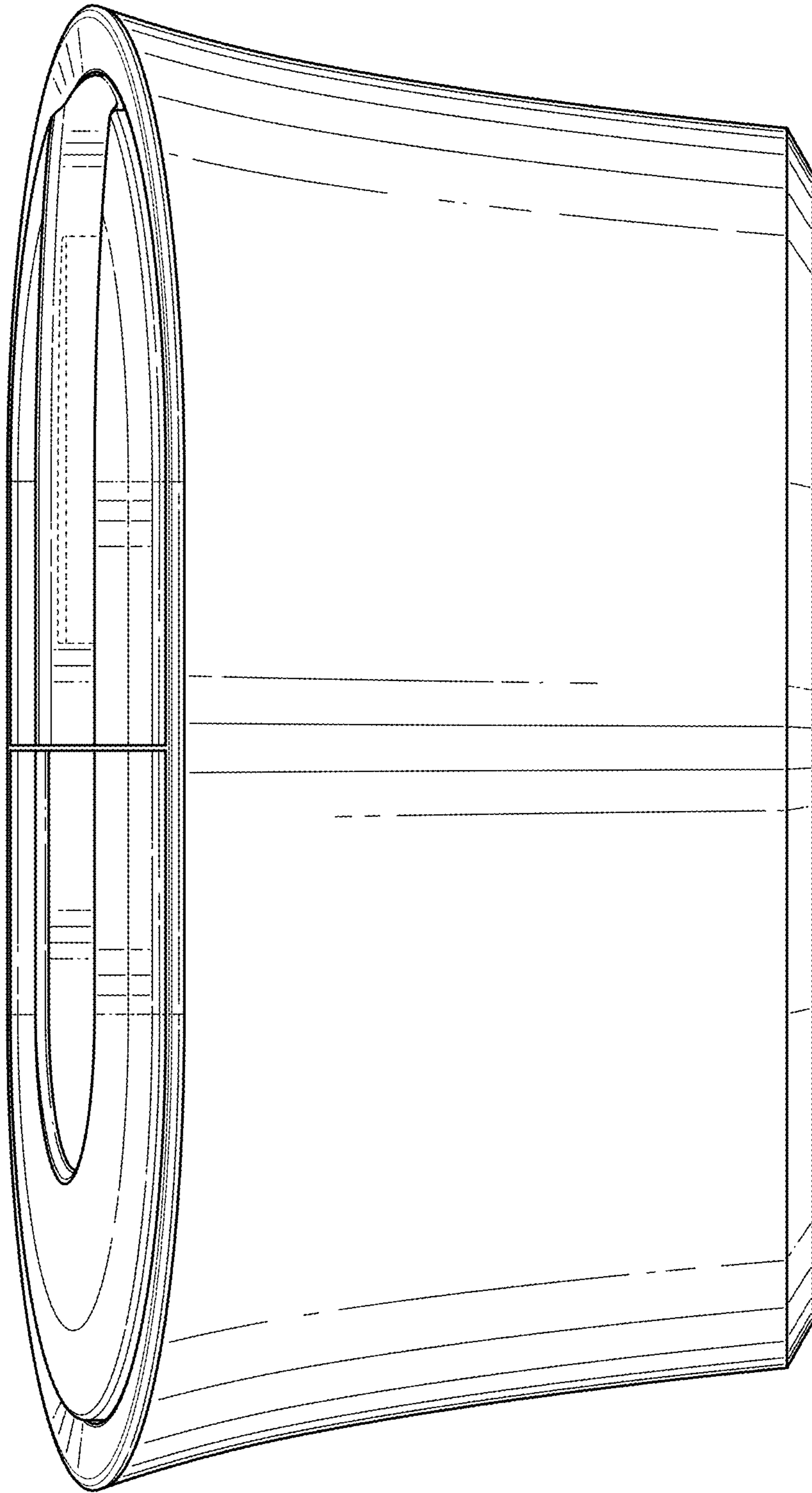


FIG. 3

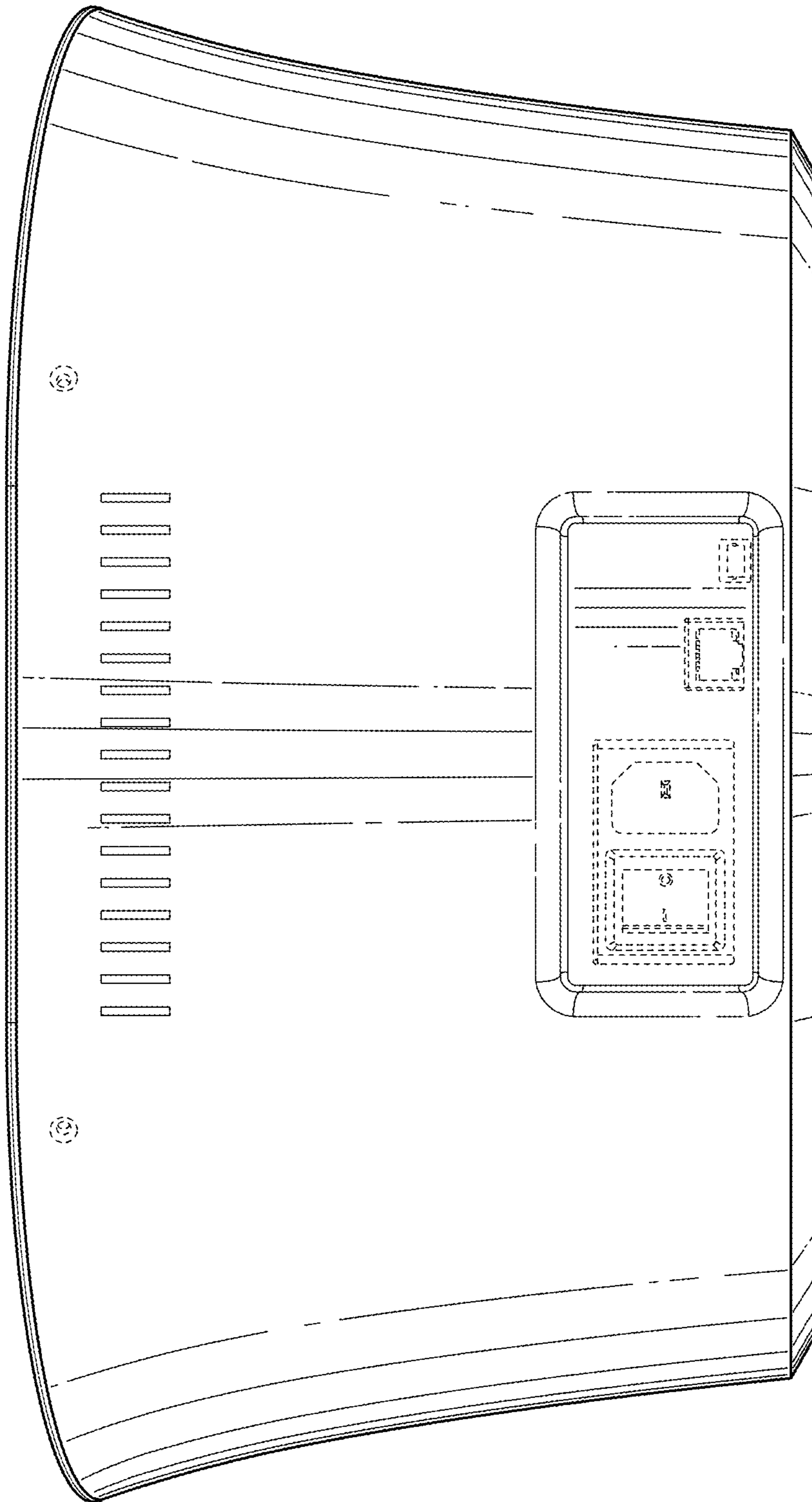


FIG. 4

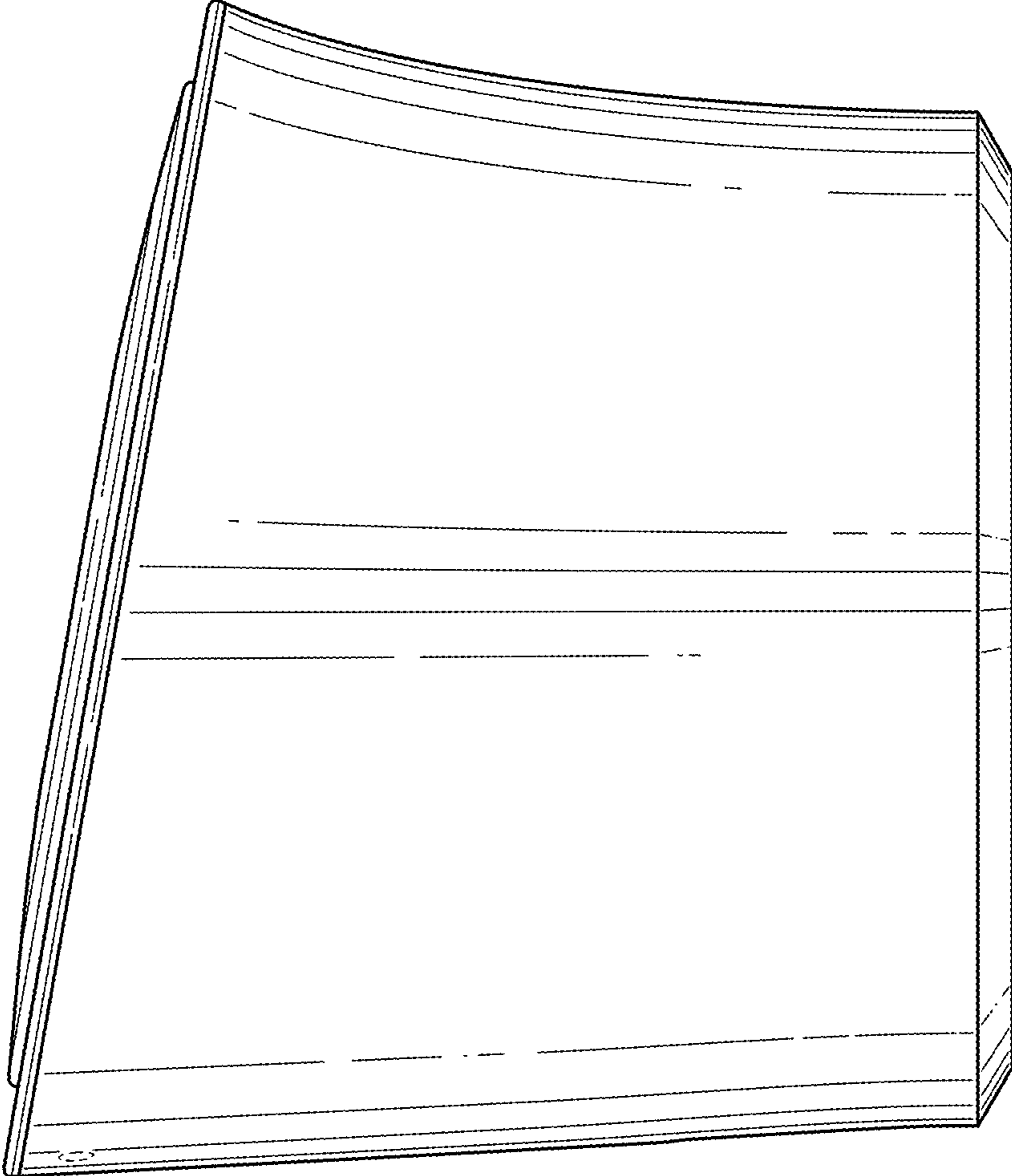


FIG. 5

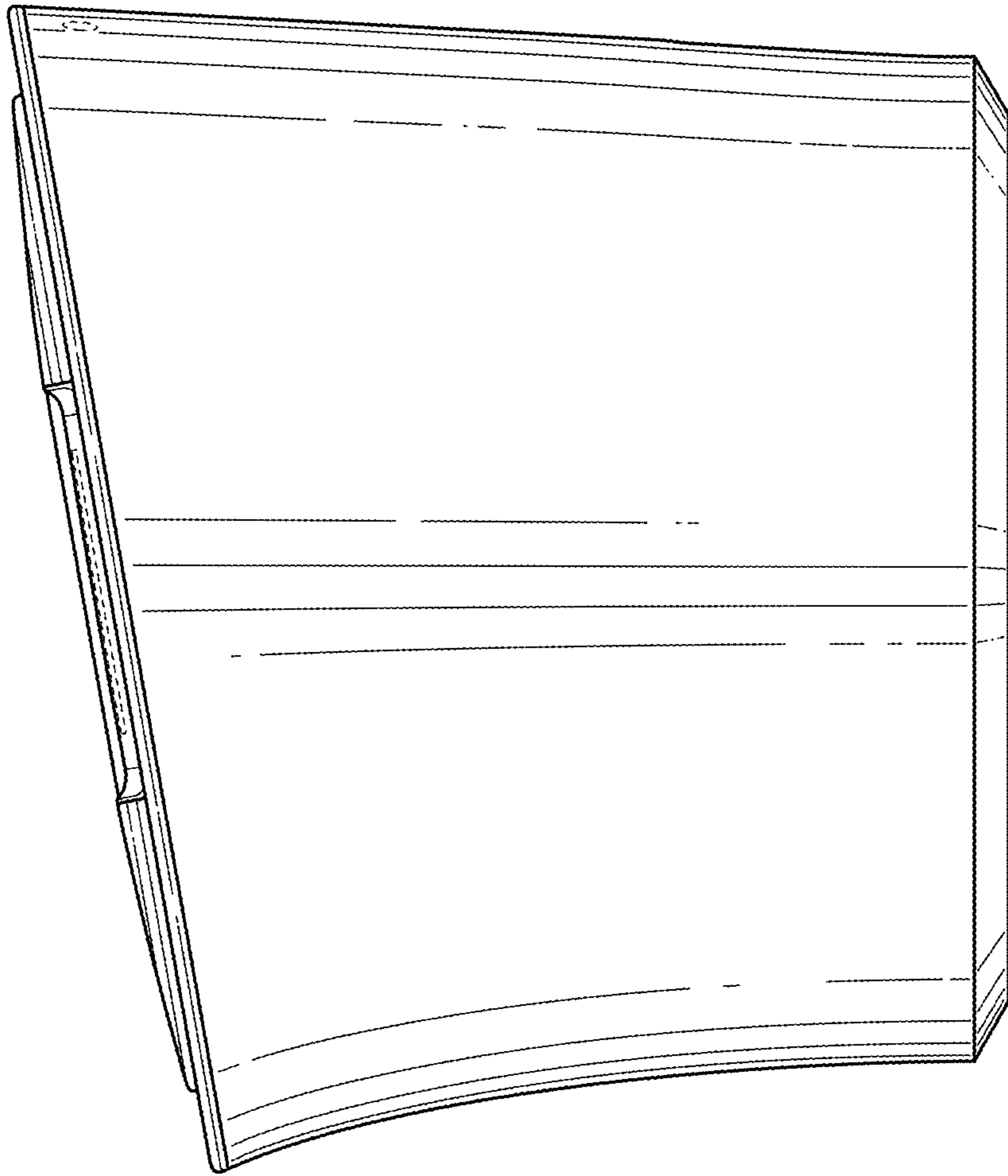


FIG. 6

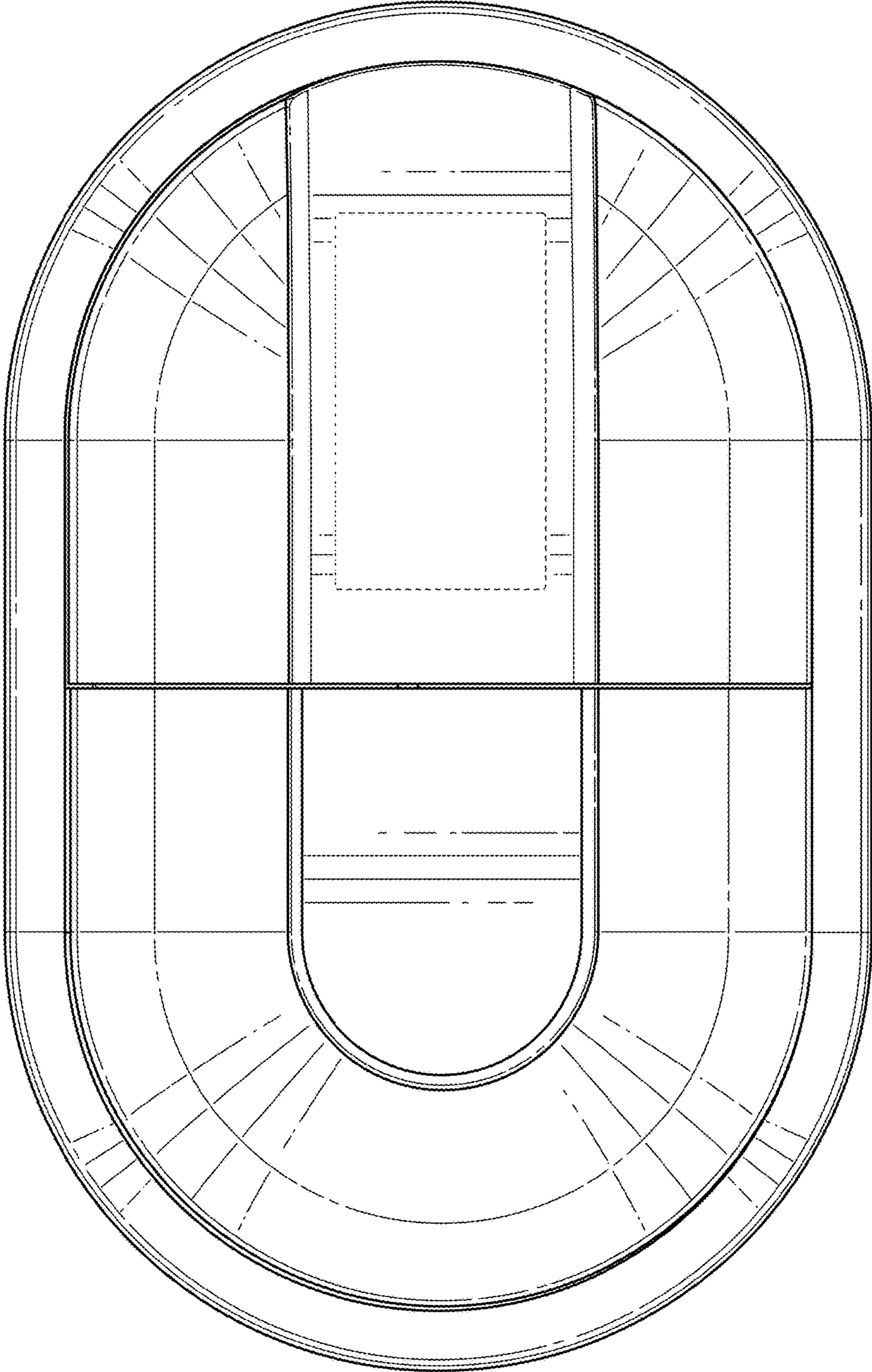


FIG. 7

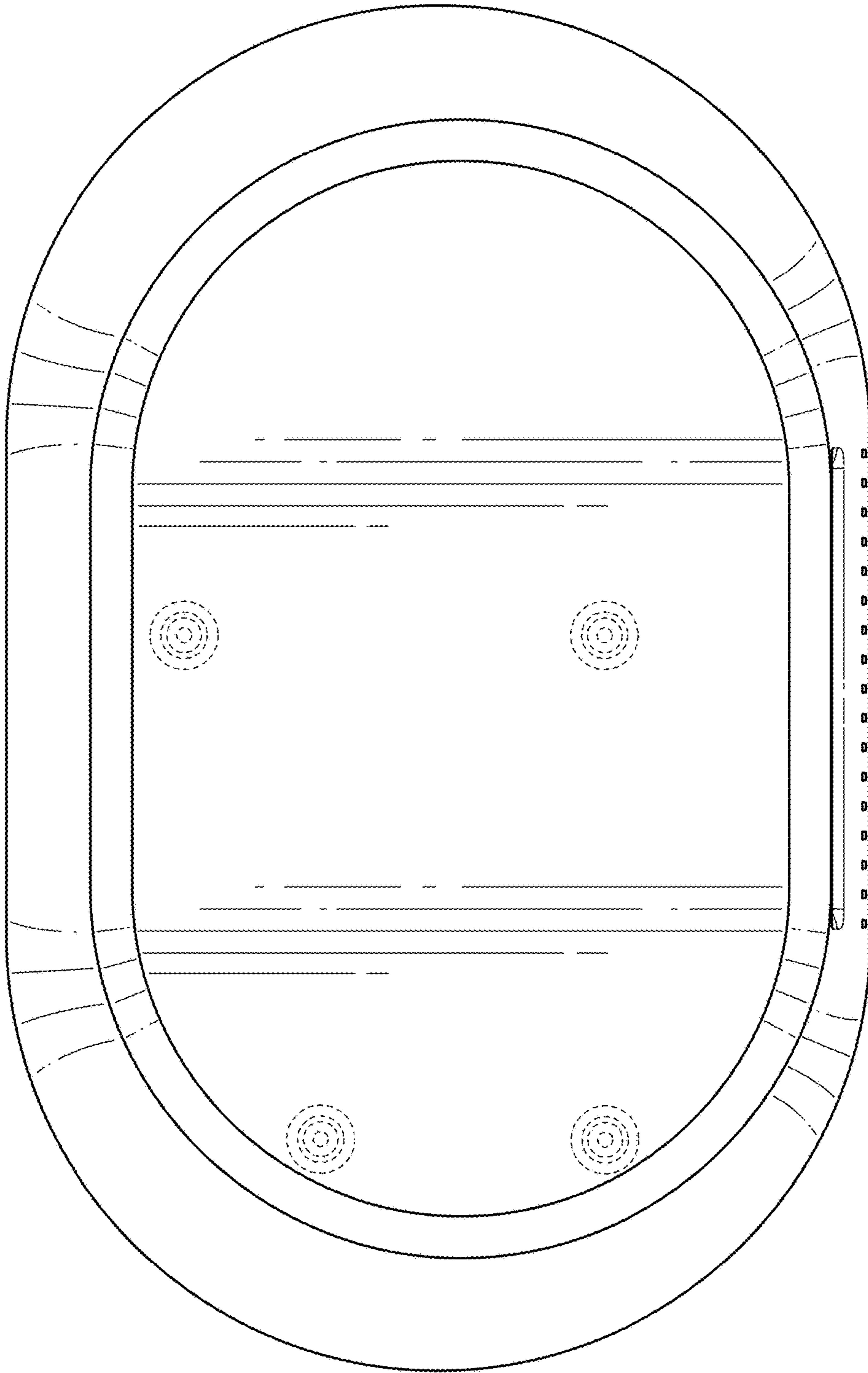


FIG. 8

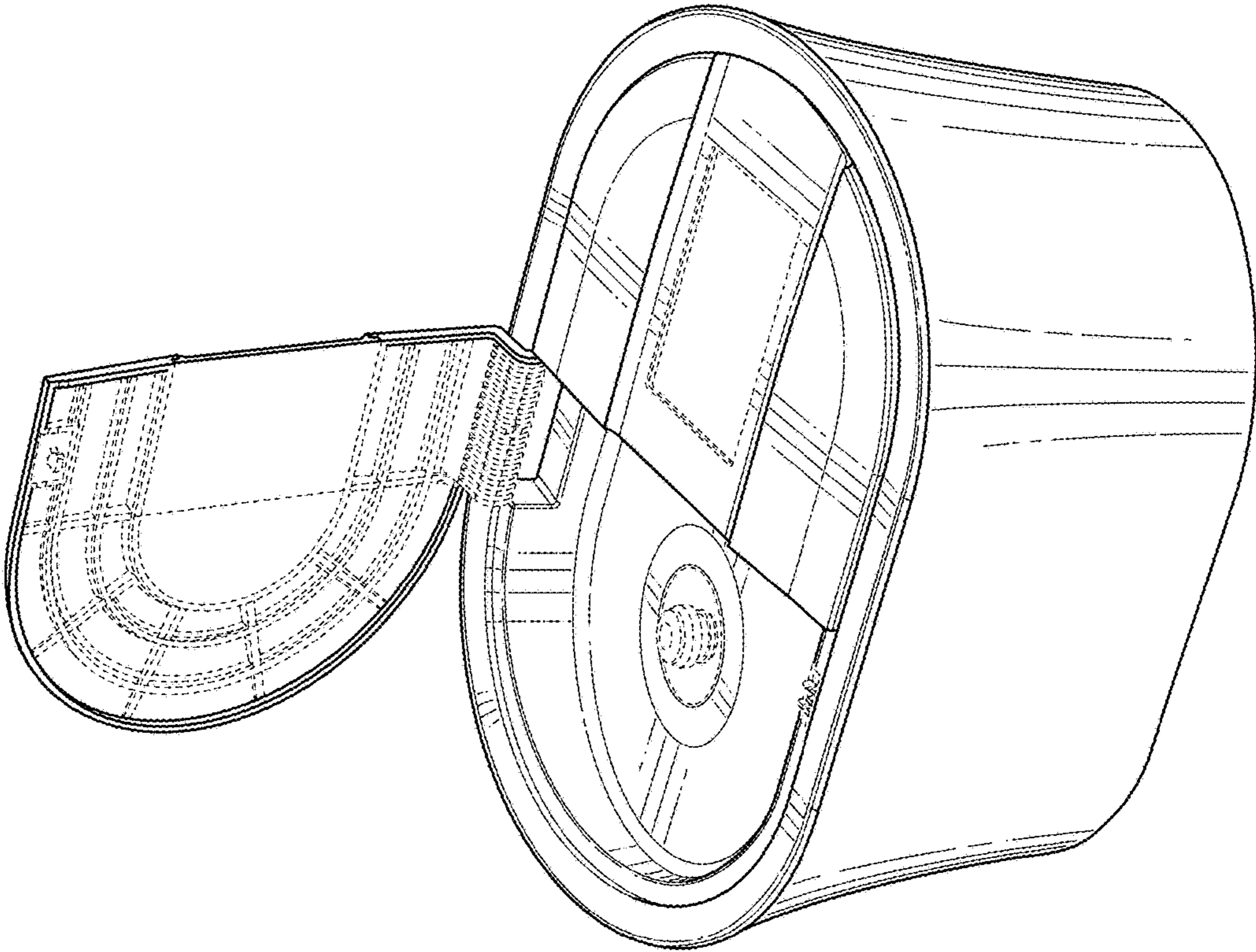


FIG. 9

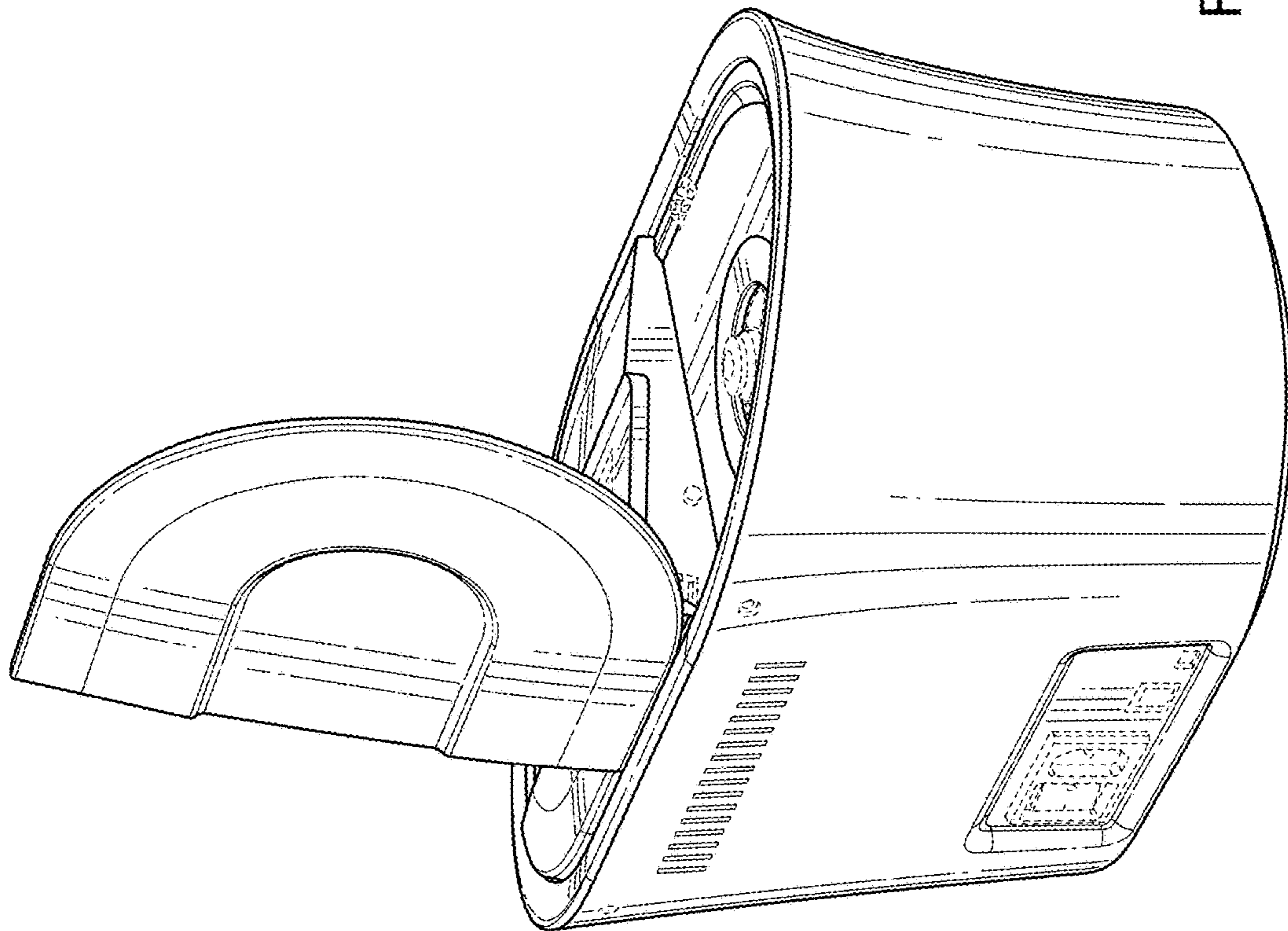


FIG. 10