



US00D825776S

(12) **United States Design Patent** (10) **Patent No.:** **US D825,776 S**
Quick et al. (45) **Date of Patent:** **** Aug. 14, 2018**

- (54) **VIAL PROCESSOR**
- (71) Applicant: **HOLOGIC, INC.**, Marlborough, MA (US)
- (72) Inventors: **Michael D. Quick**, Lunenburg, MA (US); **Suzanne M. Werneke**, Northborough, MA (US)
- (73) Assignee: **HOLOGIC, INC.**, Marlborough, MA (US)
- (**) Term: **15 Years**
- (21) Appl. No.: **29/583,396**
- (22) Filed: **Nov. 4, 2016**
- (51) **LOC (11) Cl.** **24-01**
- (52) **U.S. Cl.**
USPC **D24/232**
- (58) **Field of Classification Search**
USPC D24/107, 169, 185, 186, 216-219, D24/231-234; D10/81
CPC G01N 21/0483; G01N 21/0303; G01N 35/00029; G01N 35/00019; G01N 2035/00326; G01N 2030/027; G01N 2035/00306; G01N 2035/00336
See application file for complete search history.

- D698,038 S * 1/2014 Davis D24/234
- D782,690 S * 3/2017 Kurihara D24/216
- 2016/0061714 A1* 3/2016 Matsuura G01N 35/04 29/402.08

OTHER PUBLICATIONS

ThinPrep 2000 Processor image from ThinPrep 2000 Operator's Manual, copyright 2014.
Design application specification and drawings for U.S. Appl. No. 29/601,578, filed Apr. 24, 2017, entitled "Vial Processor", inventors Michael D. Quick and Suzanne M. Werneke, 8 pages.

* cited by examiner

Primary Examiner — Anhdao Doan
(74) *Attorney, Agent, or Firm* — Vista IP Law Group LLP

(57) **CLAIM**

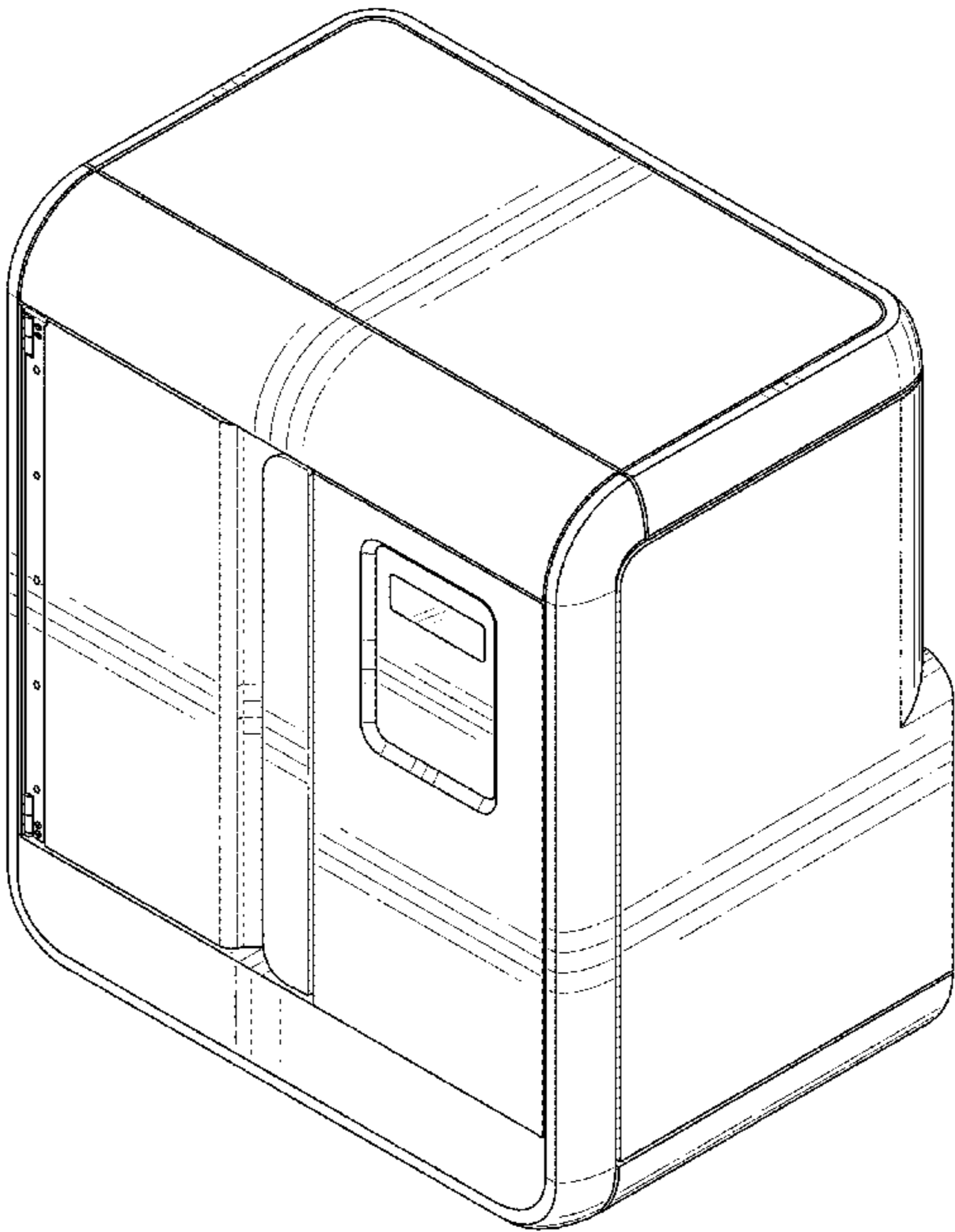
The ornamental design for a vial processor, as shown and described.

DESCRIPTION

FIG. 1 is a perspective view of the vial processor, showing our new design;
FIG. 2 is a front elevation view thereof;
FIG. 3 is a rear elevation view thereof;
FIG. 4 is a right side elevation view thereof;
FIG. 5 is a left side elevation view thereof;
FIG. 6 is a top plan view thereof; and,
FIG. 7 is a bottom plan view thereof.
The broken lines immediately adjacent the shaded areas represent the bounds of the claim, while all other broken lines are directed to environment and are for illustrative purposes only; the broken lines form no part of the claimed design.

1 Claim, 7 Drawing Sheets

- (56) **References Cited**
U.S. PATENT DOCUMENTS
- D491,272 S * 6/2004 Alden D24/216
- D508,999 S * 8/2005 Fanning D24/232
- D591,864 S * 5/2009 Schmidt D24/216
- D599,234 S * 9/2009 Ito D10/81
- D653,764 S * 2/2012 Macemon D24/216
- D687,561 S * 8/2013 Iseki D24/216
- D691,732 S * 10/2013 Shibata D24/216



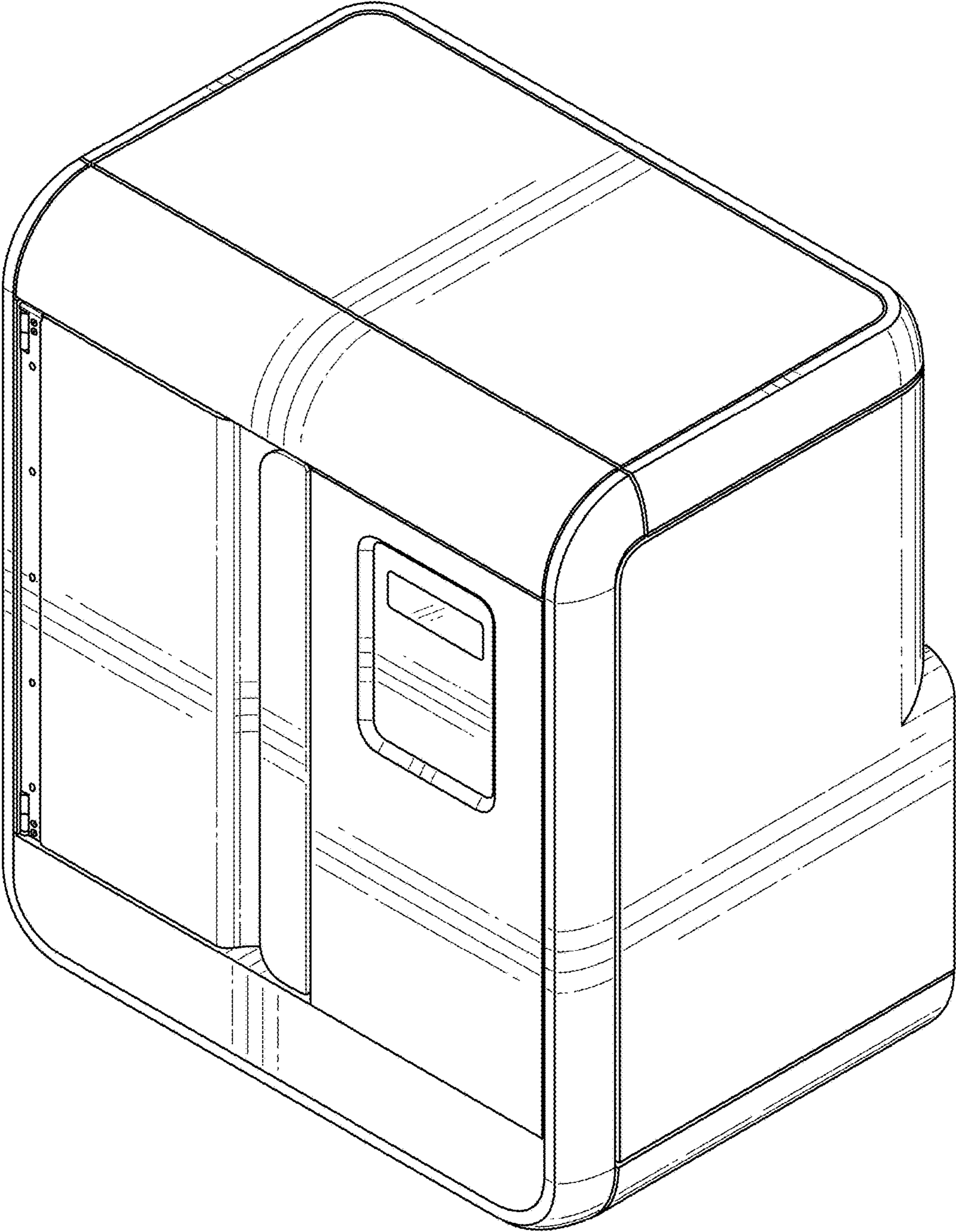


FIG. 1

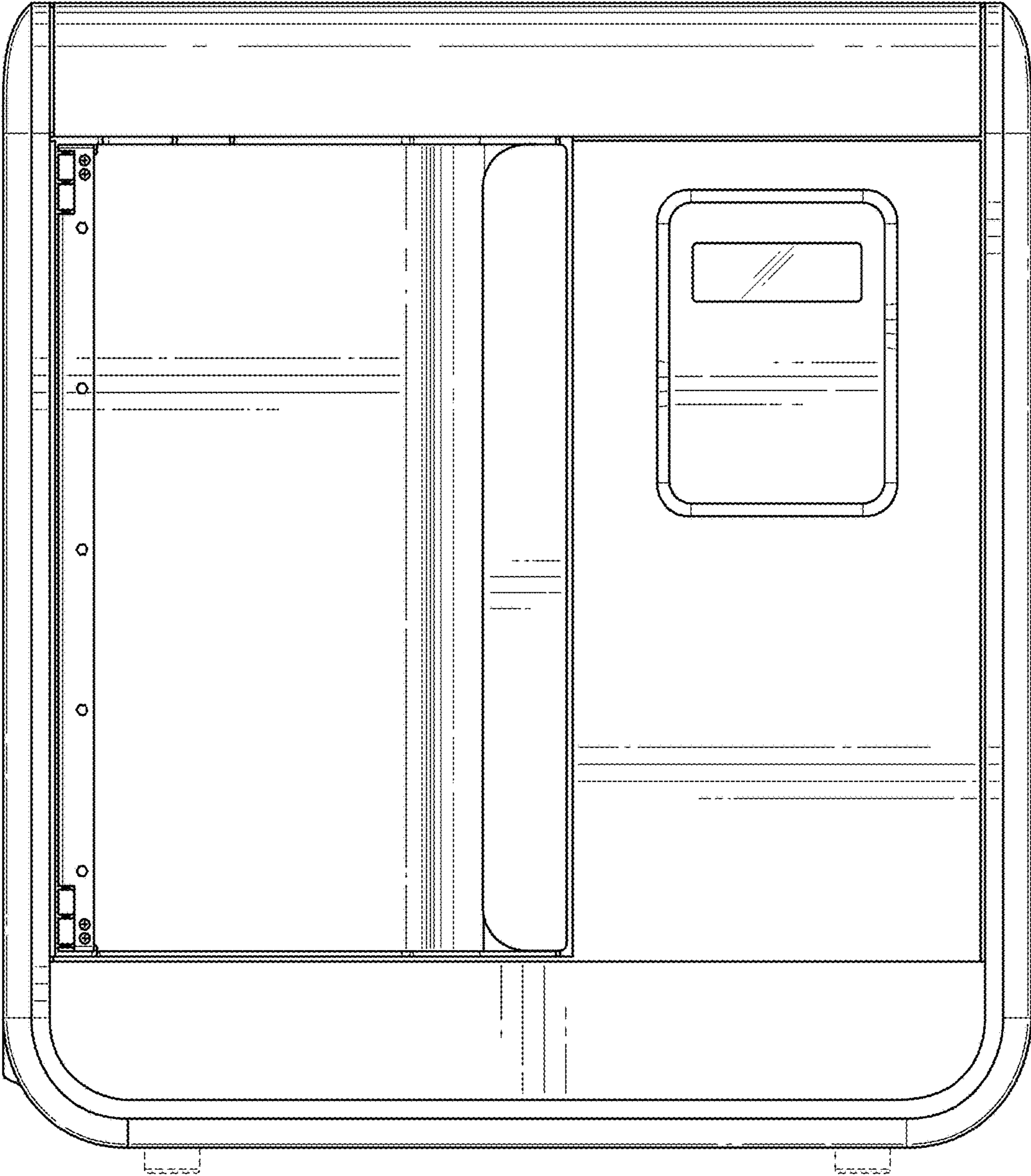


FIG. 2

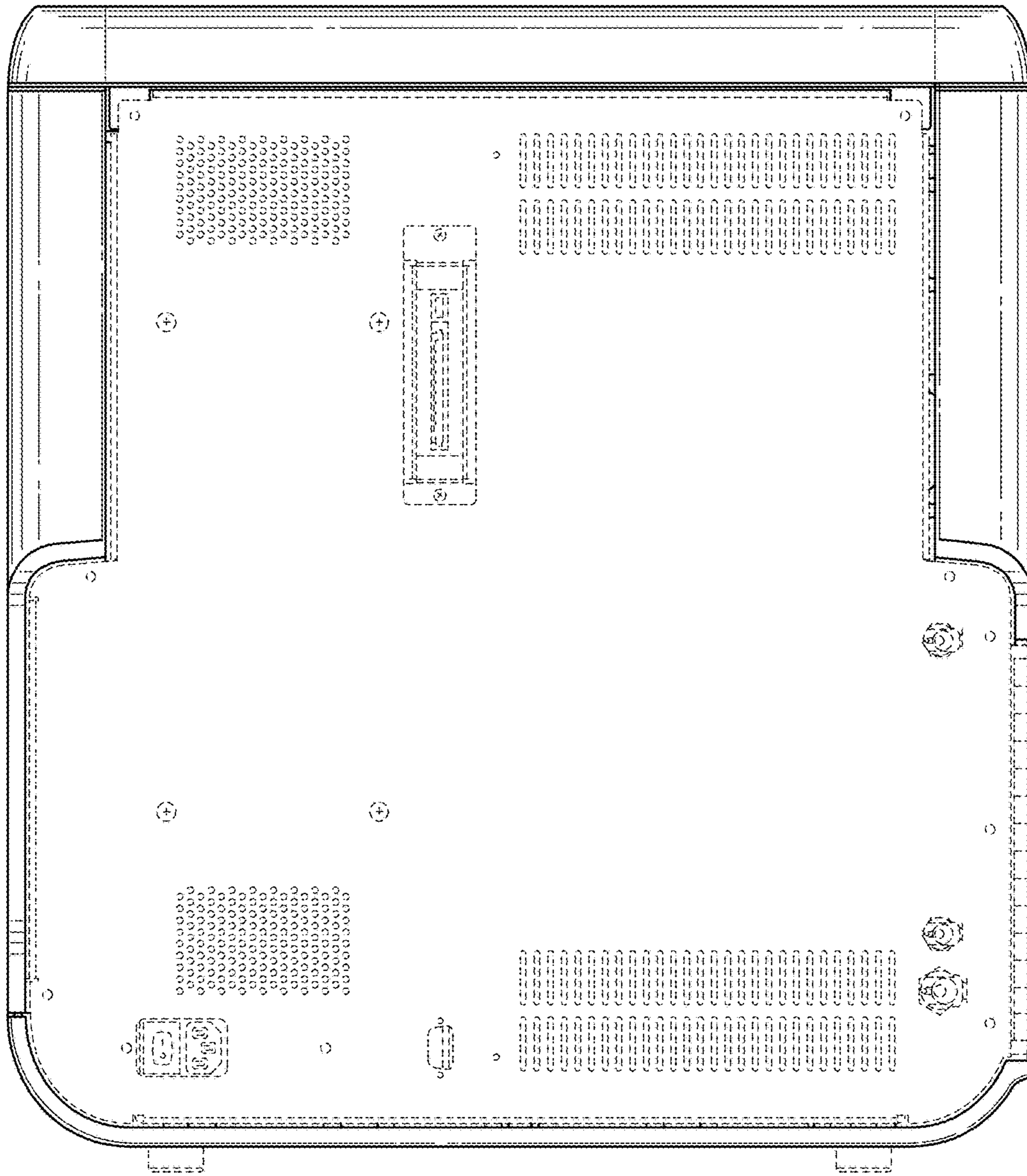


FIG. 3

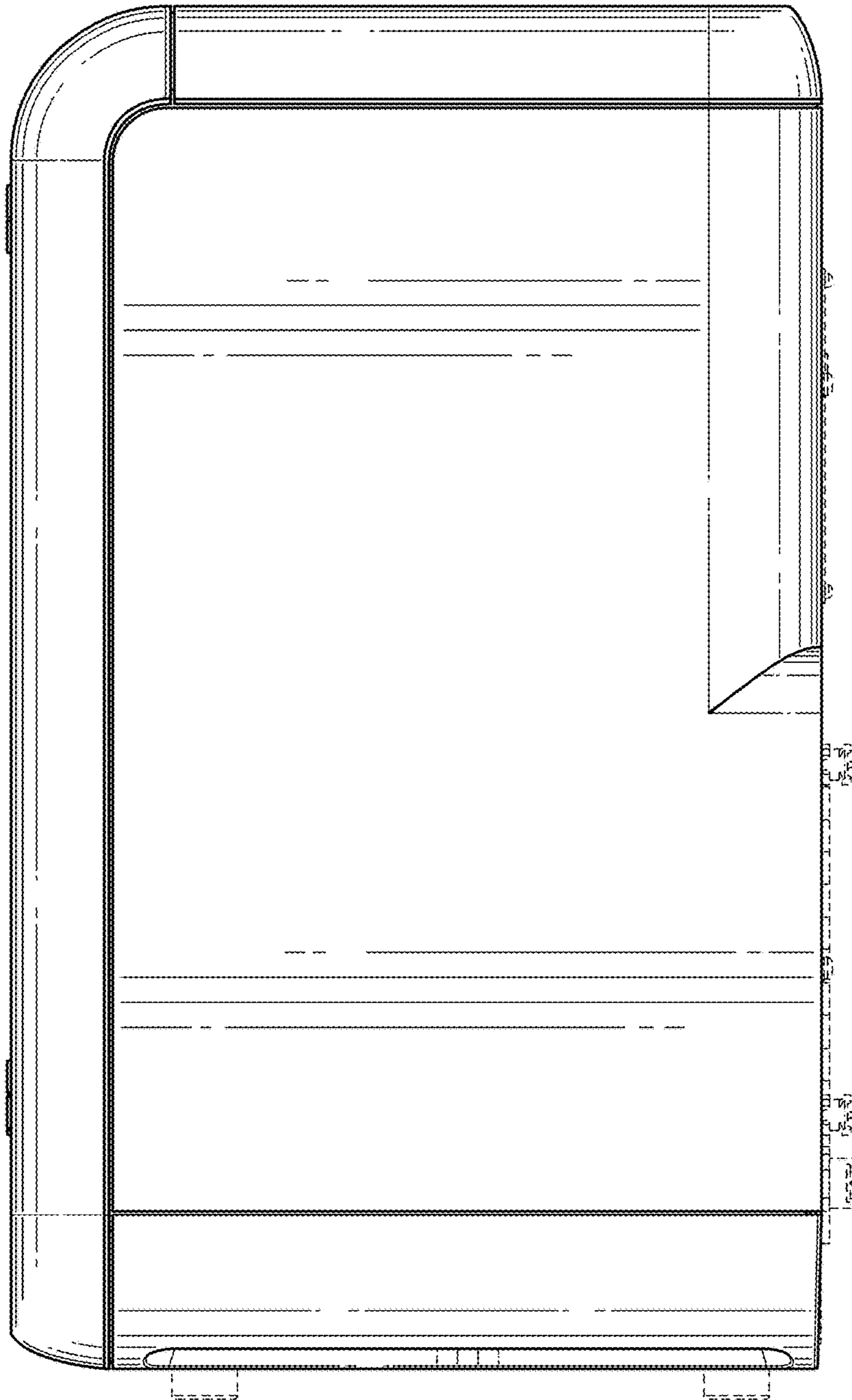


FIG. 4

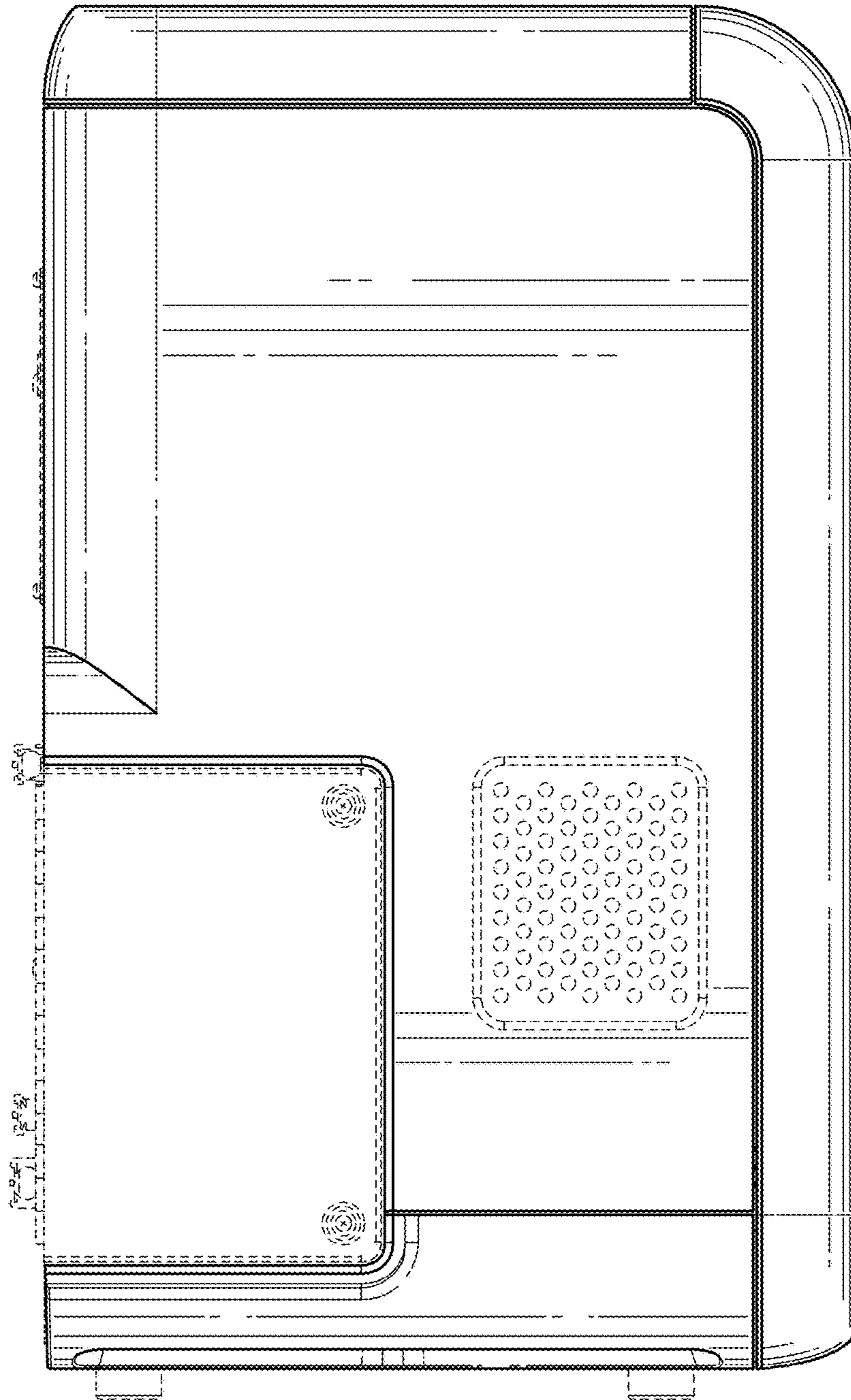


FIG. 5

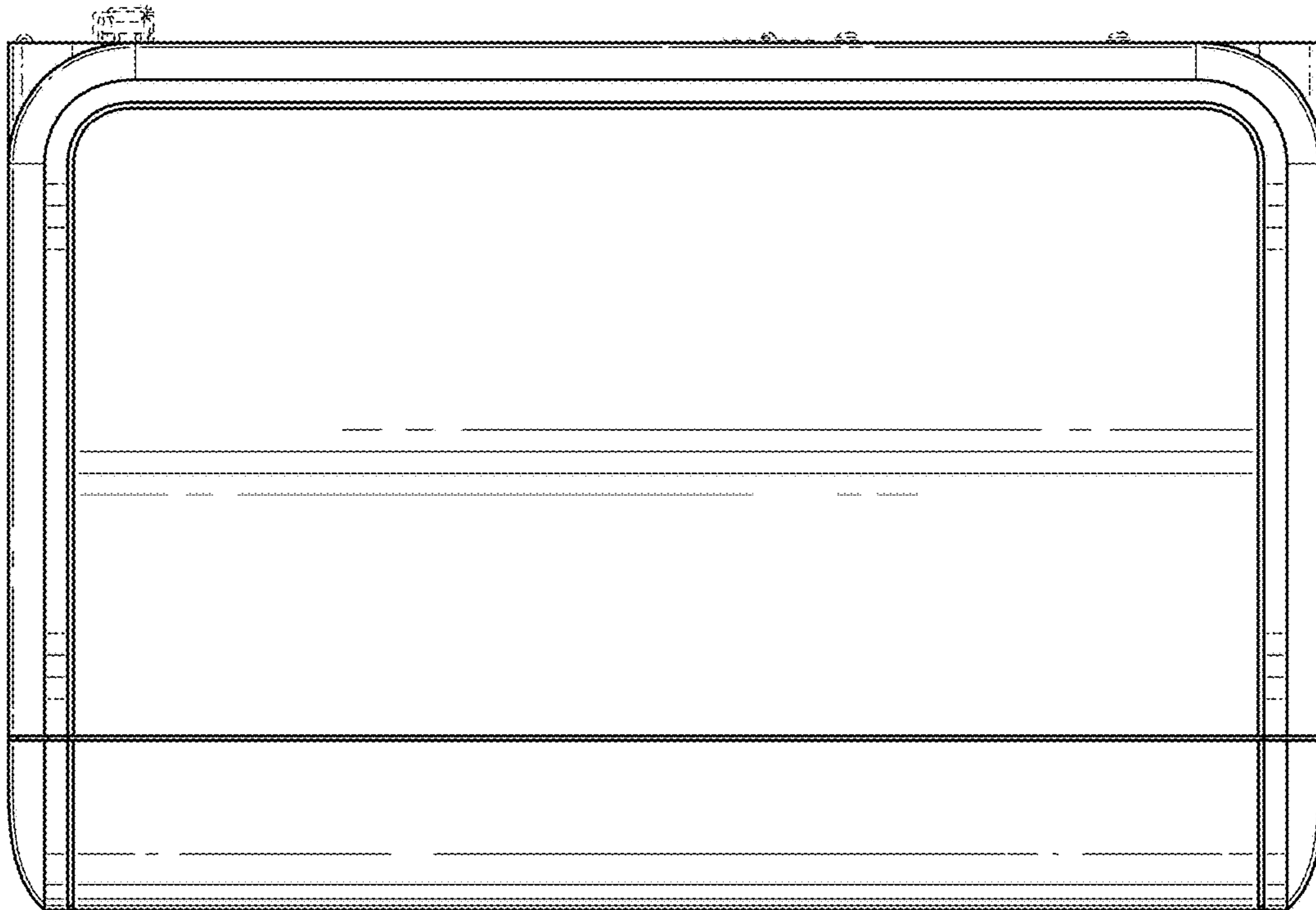


FIG. 6

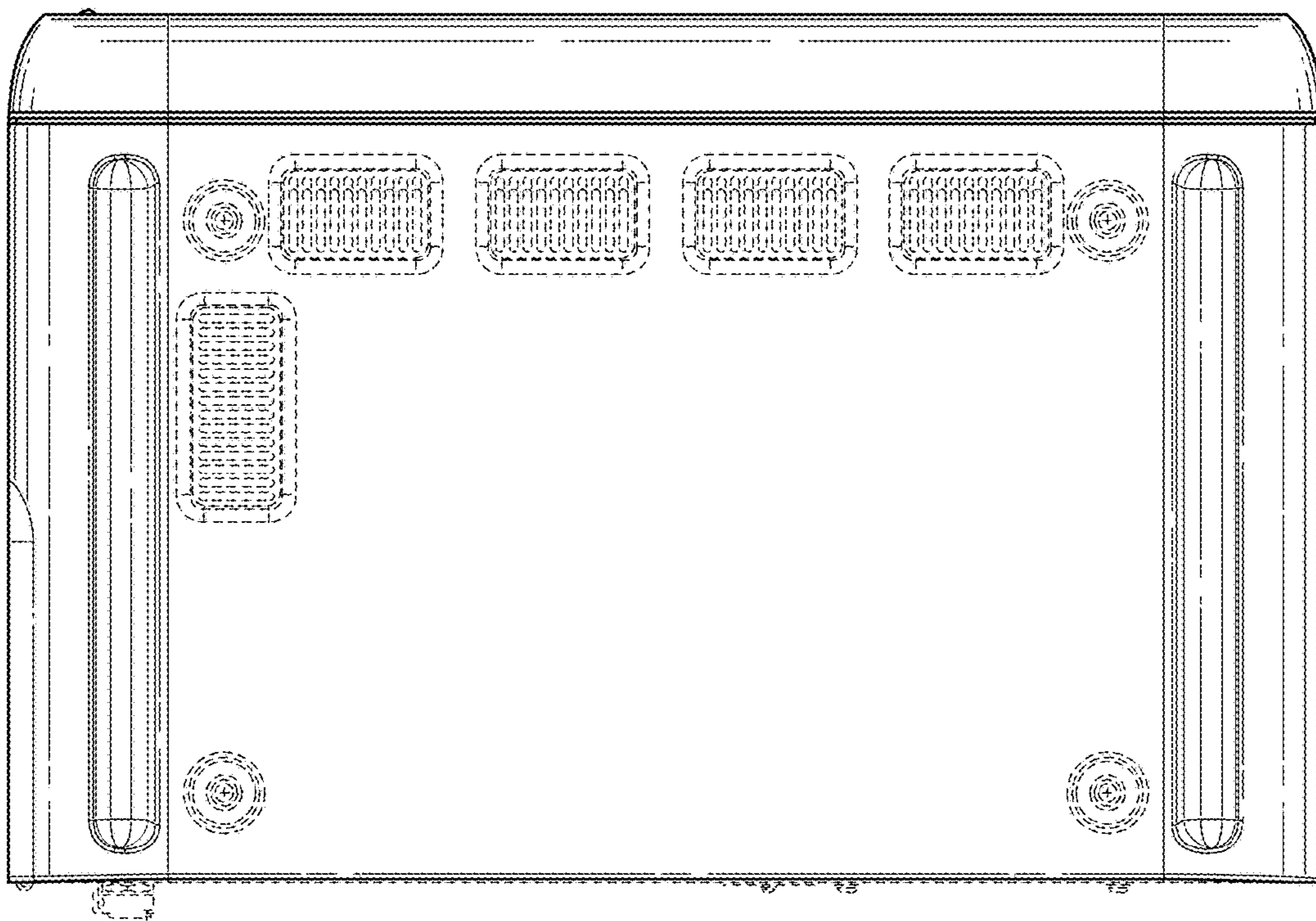


FIG. 7