

US00D825774S

(12) **United States Design Patent** (10) **Patent No.:** **US D825,774 S**
Self et al. (45) **Date of Patent:** **** Aug. 14, 2018**

(54) **PROCESS PLATE** 8,728,415 B2 * 5/2014 Seippel B01L 3/5085
422/553
(71) Applicant: **Becton, Dickinson and Company,** D710,024 S * 7/2014 Guo D24/230
Franklin Lakes, NJ (US) D718,465 S * 11/2014 Tajima D24/224
D729,942 S * 5/2015 Keizer D24/226
(72) Inventors: **Brian A. Self,** Monkton, MD (US); 9,180,456 B2 * 11/2015 Malinoski C08L 67/02
Dwight Livingston, Fallston, MD (US) D778,459 S * 2/2017 Tajima D24/224
D792,981 S * 7/2017 Tajima D24/224
D793,573 S * 8/2017 Karmeniemi D24/226
(73) Assignee: **Becton, Dickinson and Company,**
Franklin Lakes, NJ (US)

FOREIGN PATENT DOCUMENTS

(**) Term: **15 Years** AU 201614442 C1 11/2016
* cited by examiner

(21) Appl. No.: **29/564,484**

(22) Filed: **May 13, 2016**

(51) **LOC (11) Cl.** **24-02**

(52) **U.S. Cl.**
USPC **D24/224**

(58) **Field of Classification Search**
USPC D24/224
CPC B01L 3/5085; A61B 10/0096; A61B
10/0038; A61B 10/02

See application file for complete search history.

(56) **References Cited**

U.S. PATENT DOCUMENTS

6,601,725 B2 * 8/2003 Lafond B01L 3/50853
220/23.4
D574,506 S * 8/2008 Monks D24/224
D608,013 S * 1/2010 Coulling D24/224
D618,820 S * 6/2010 Wilson D24/227
D624,194 S * 9/2010 Pack D24/224
D673,294 S * 12/2012 Motadel D24/227
D690,027 S * 9/2013 Motadel D24/227
D699,371 S * 2/2014 Williams D24/230

Primary Examiner — Susan Bennett Hattan
Assistant Examiner — Rebecca Tsehaye
(74) *Attorney, Agent, or Firm* — Lerner, David,
Littenberg, Krumholz & Mentlik, LLP

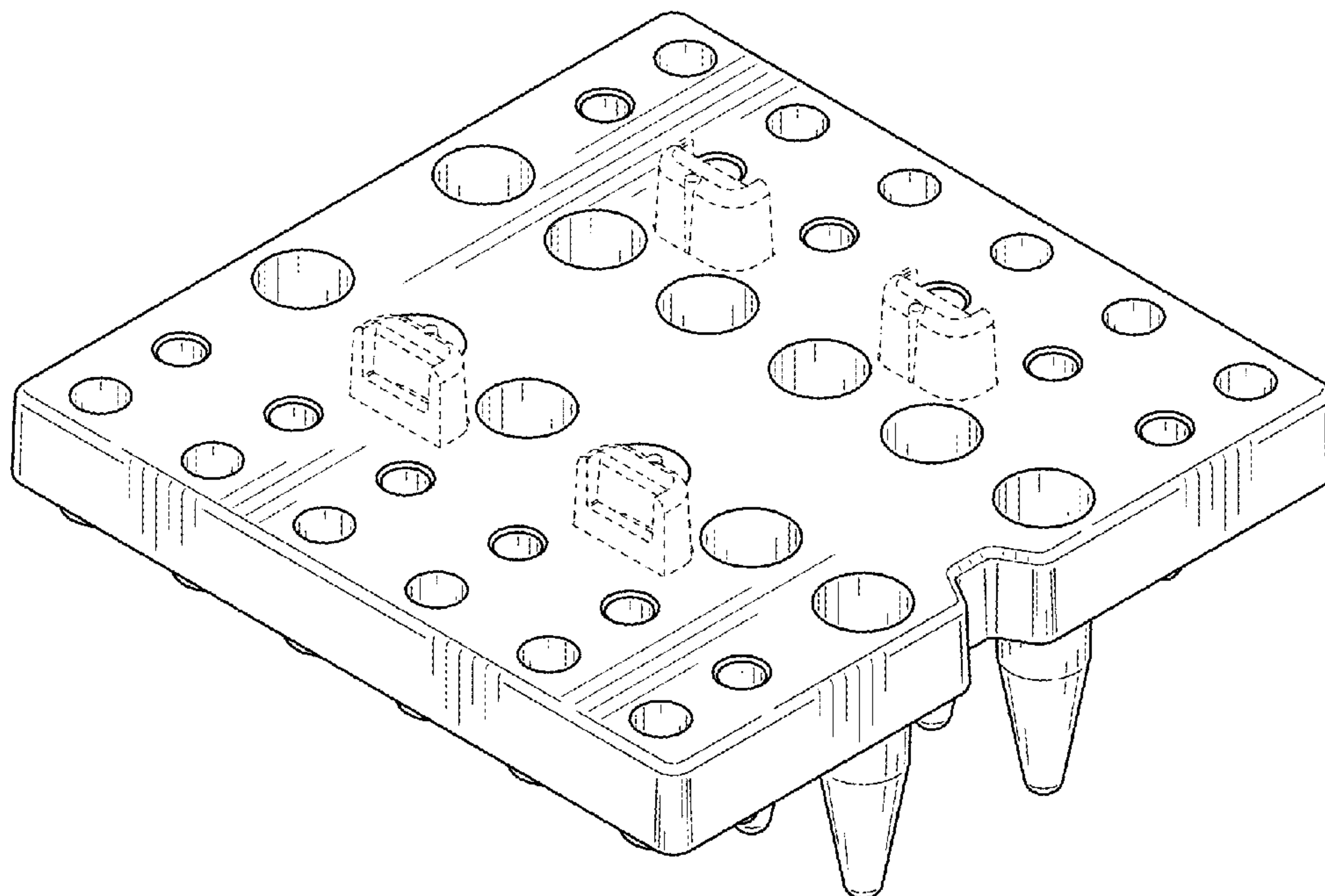
(57) **CLAIM**

The ornamental design for a process plate, as shown and described.

DESCRIPTION

FIG. 1 is a front perspective view of a process plate according to our design;
FIG. 2 is a front elevational view thereof;
FIG. 3 is a rear elevational view thereof;
FIG. 4 is a right side elevational view thereof;
FIG. 5 is a left side elevational view thereof;
FIG. 6 is a top plan view thereof; and,
FIG. 7 is a bottom plan view thereof.
The broken lines illustrate unclaimed environmental structure and form no part of the claimed design.

1 Claim, 4 Drawing Sheets



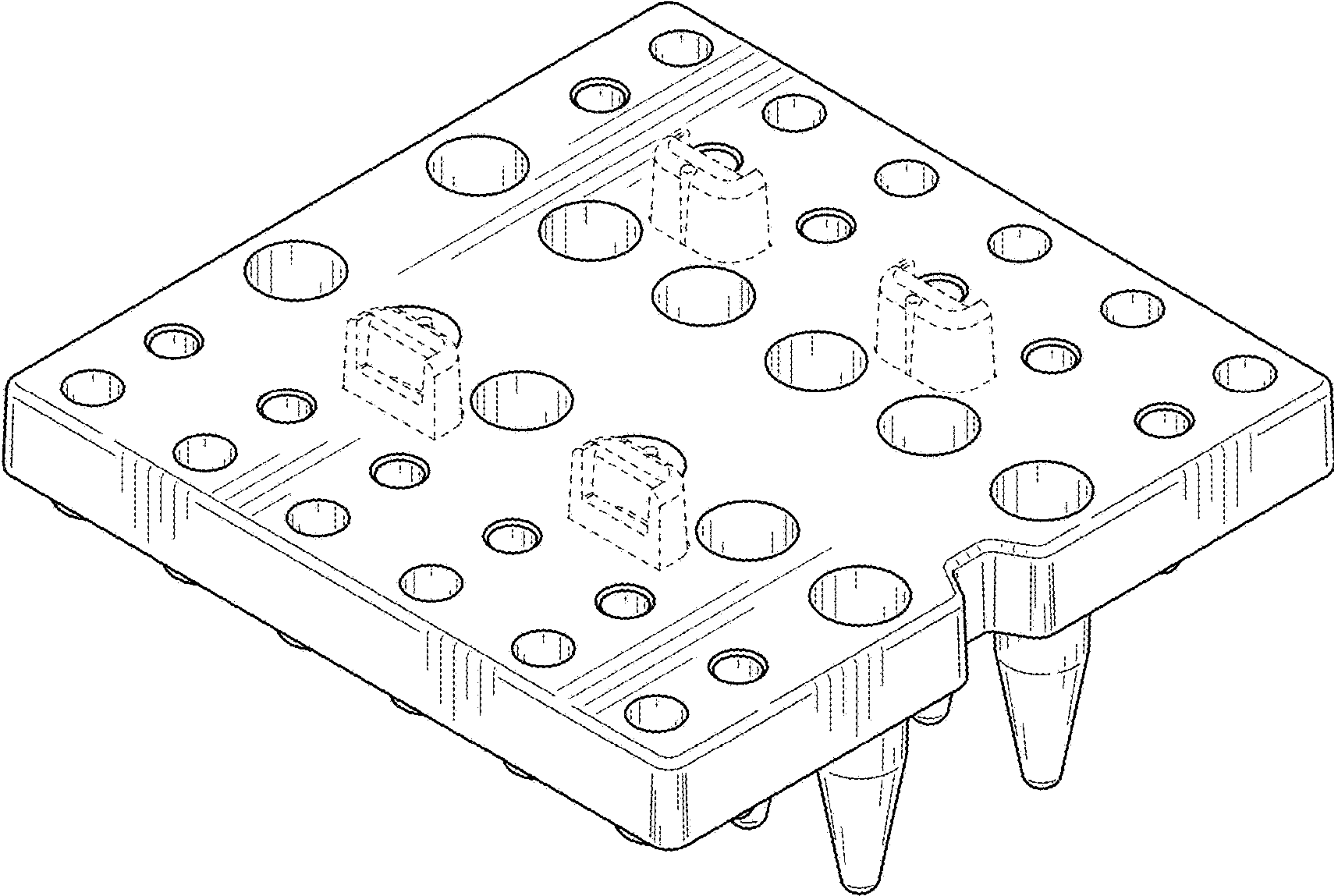


FIG. 1

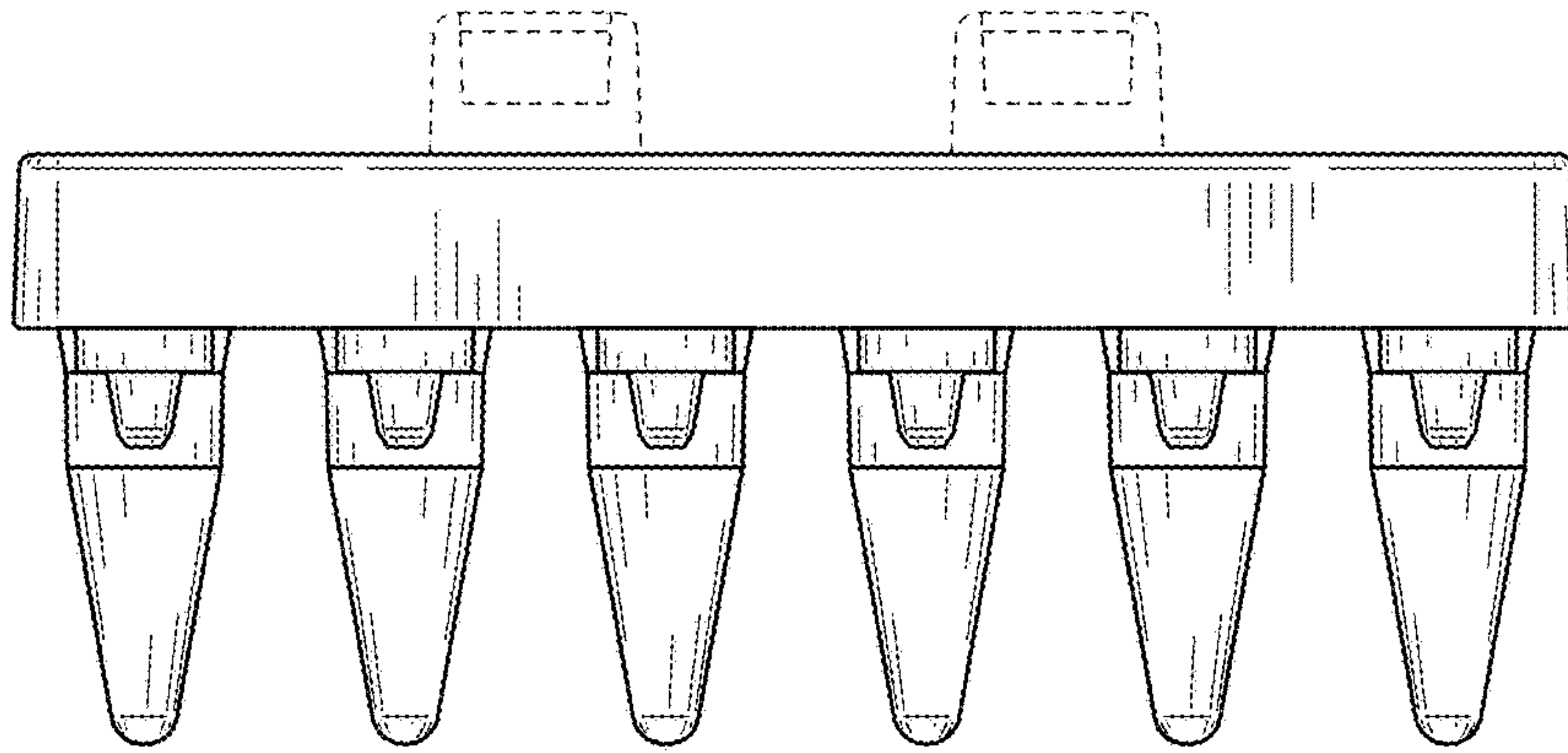


FIG. 2

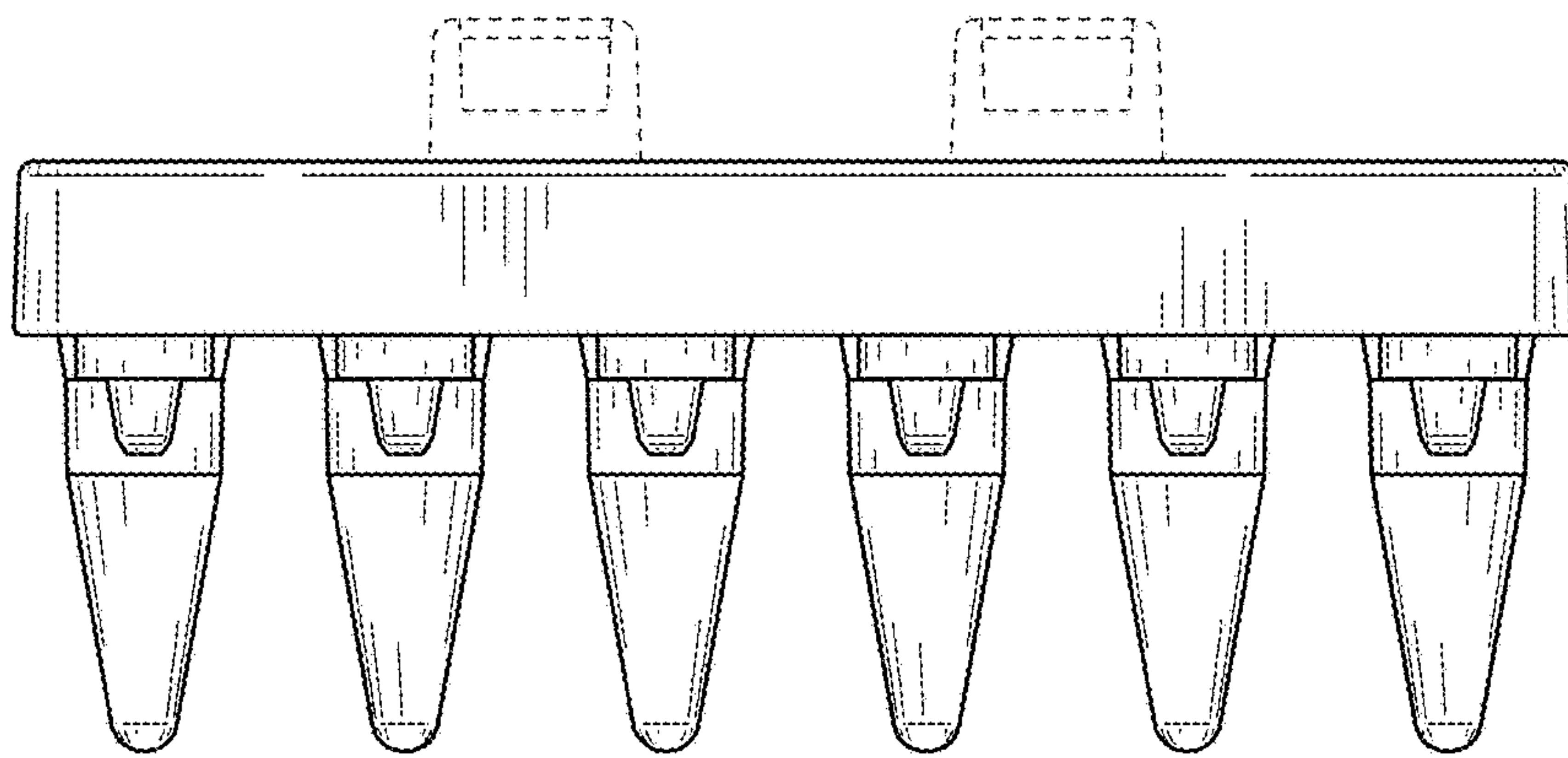


FIG. 3

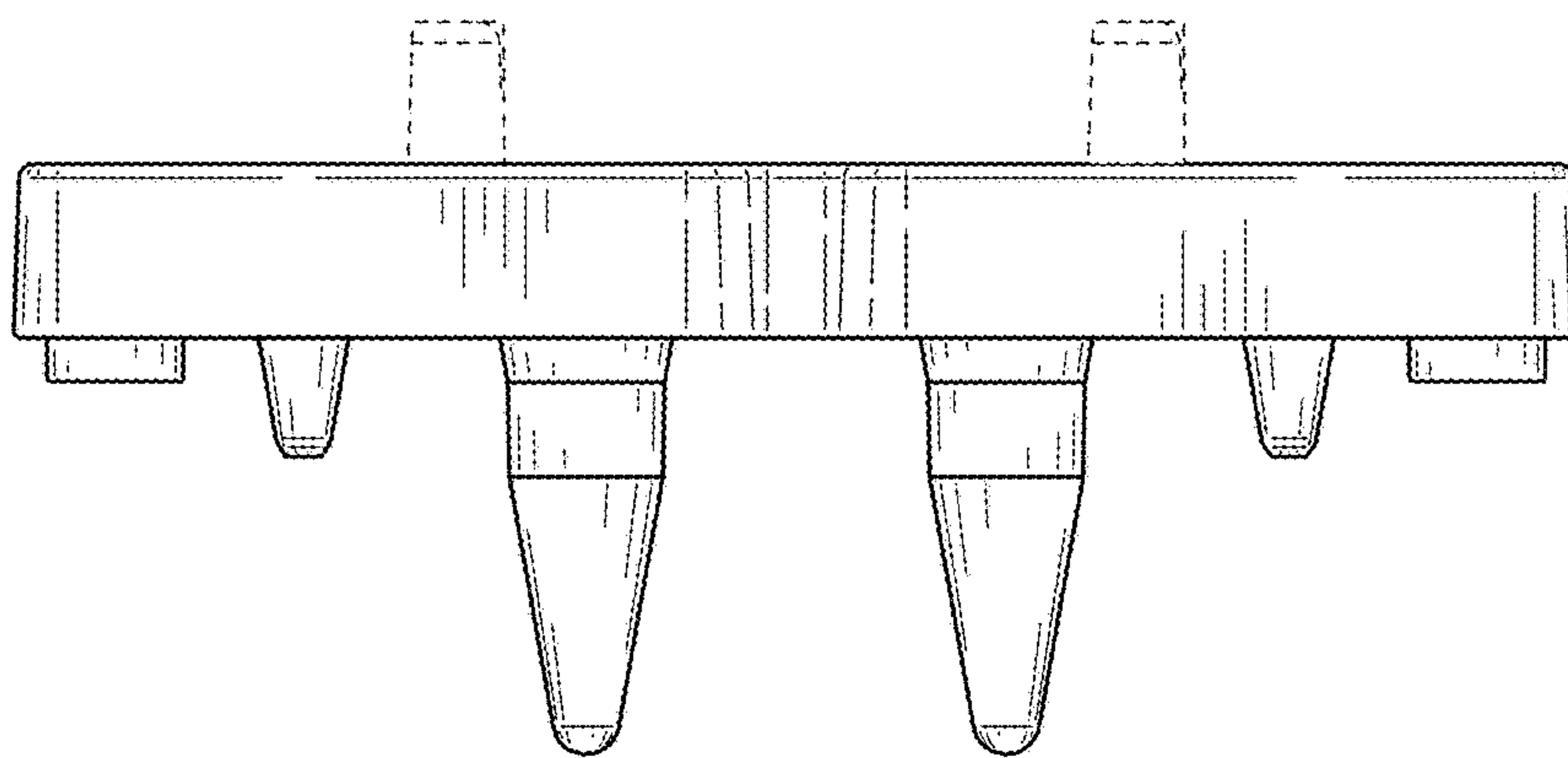


FIG. 4

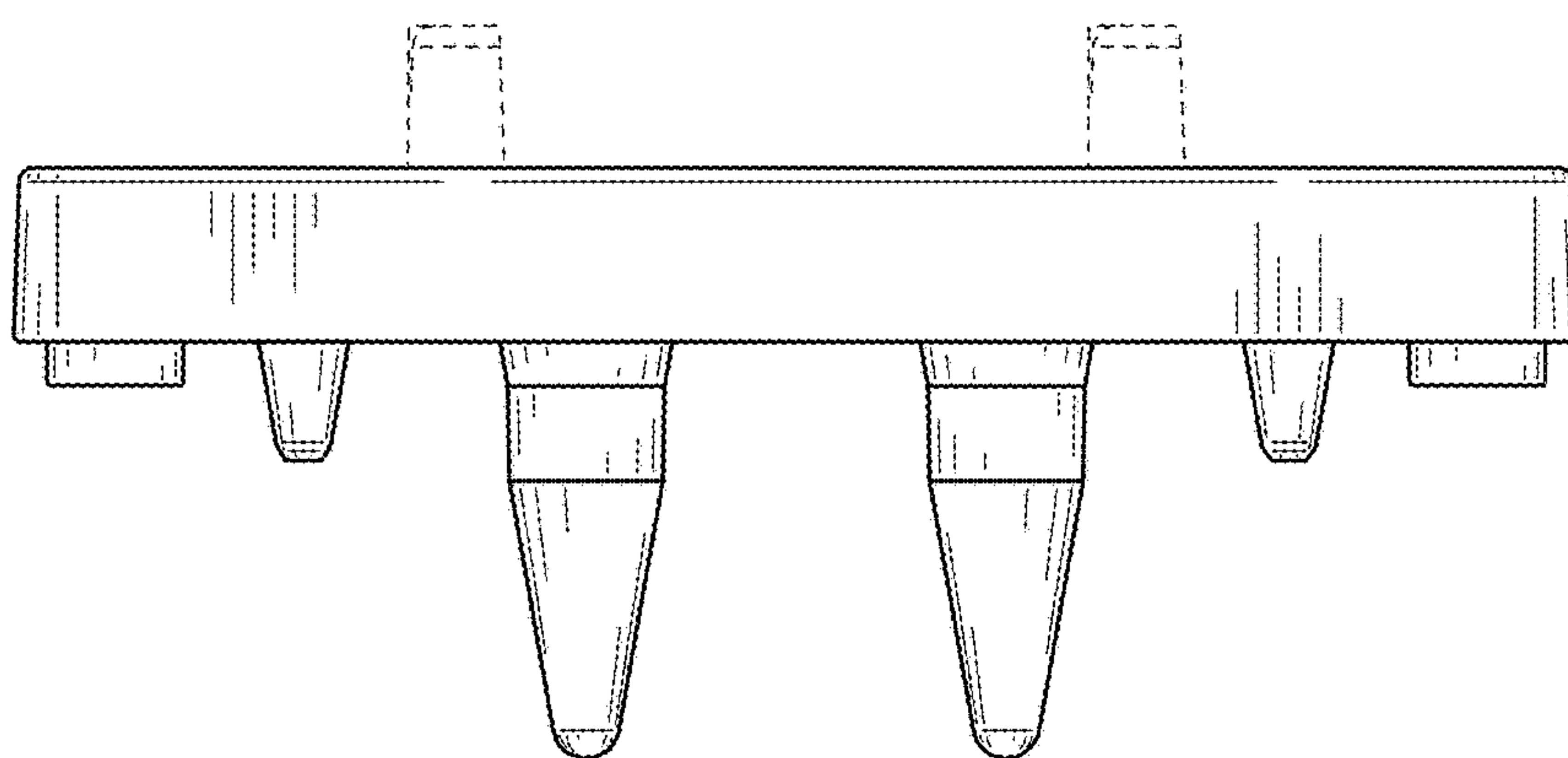


FIG. 5

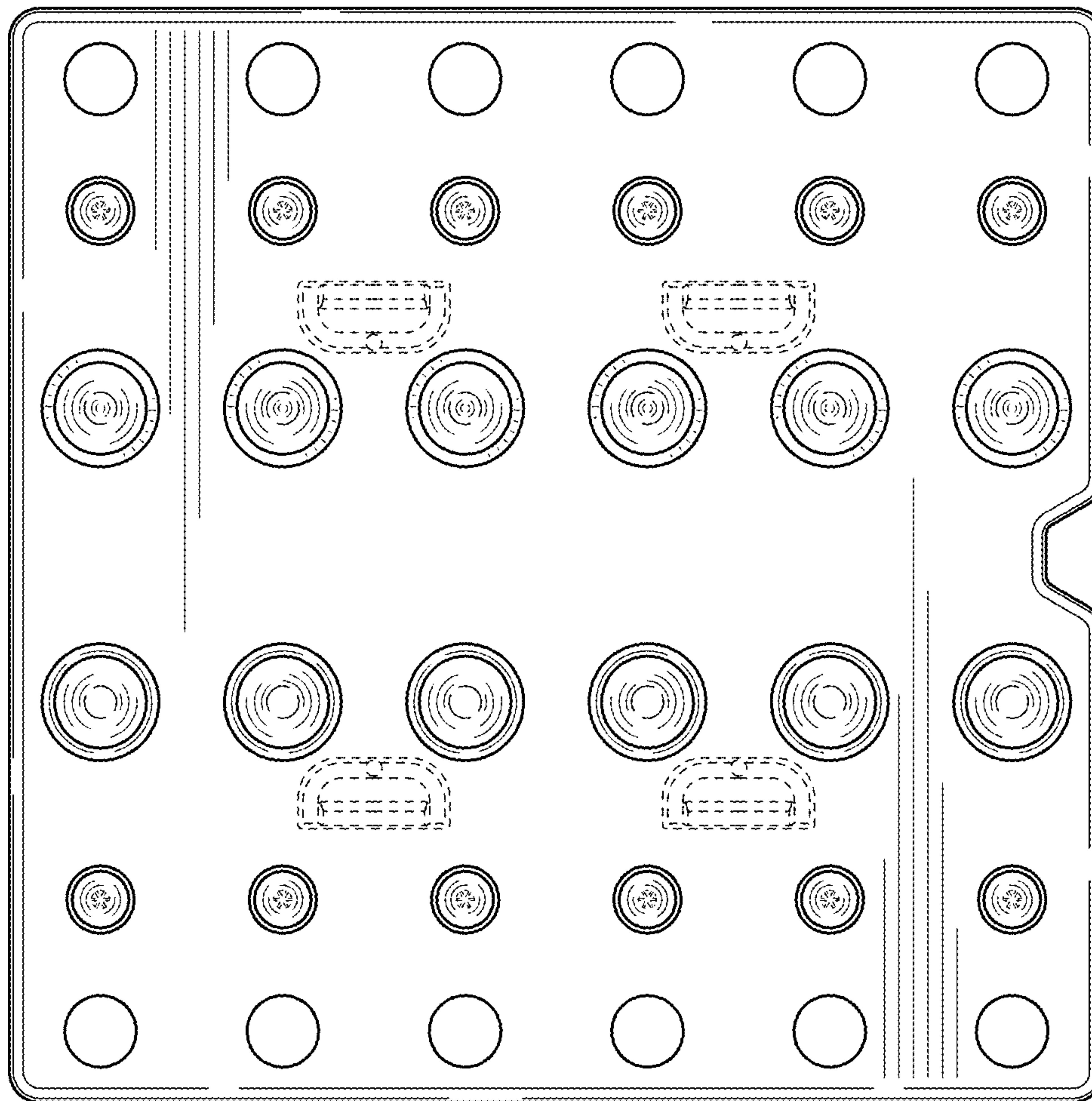


FIG. 6

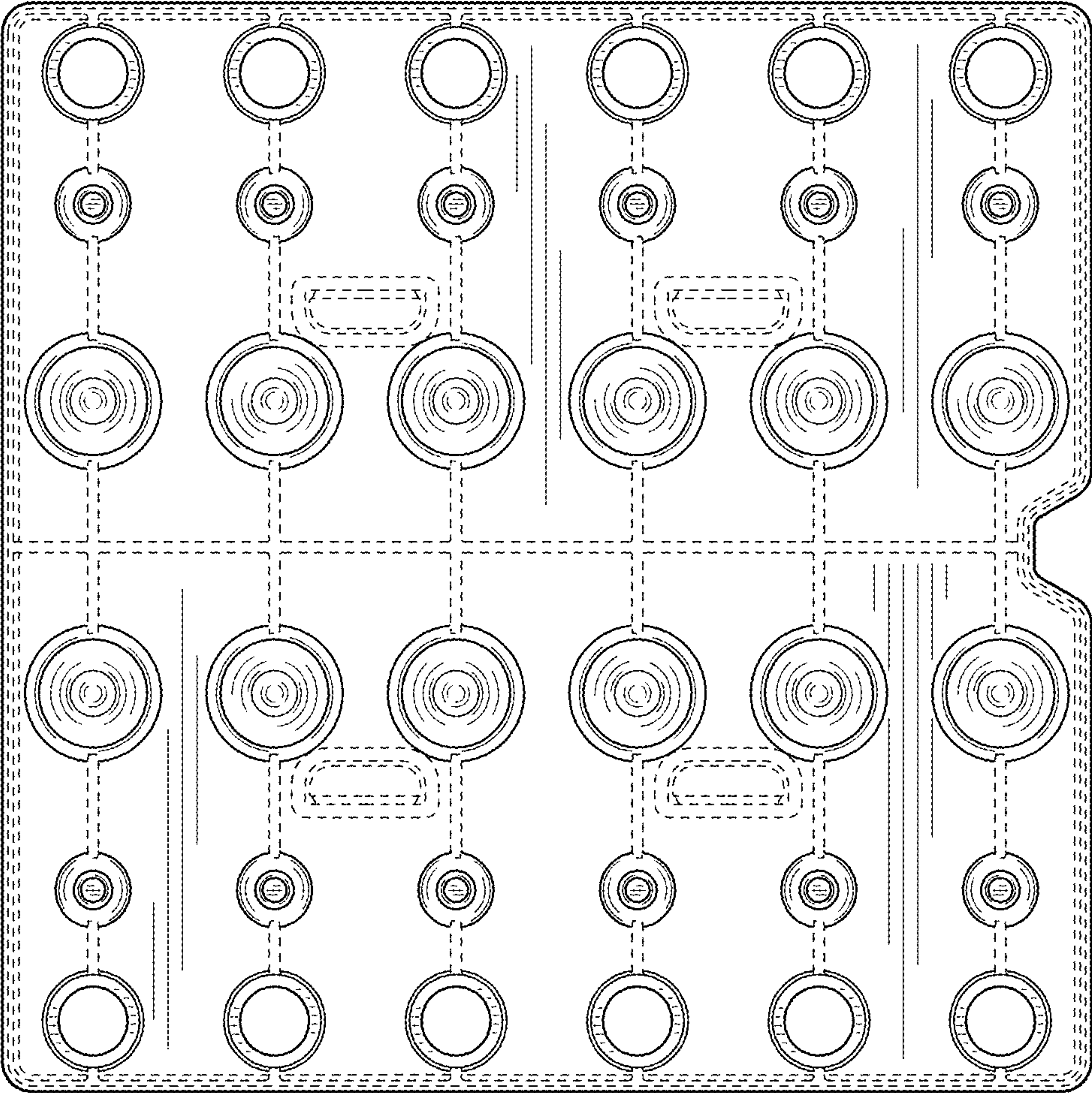


FIG. 7