



US00D825773S

(12) **United States Design Patent** (10) **Patent No.:** **US D825,773 S**
Wan (45) **Date of Patent:** **** Aug. 14, 2018**

(54) **FECAL OCCULT BLOOD DETECTOR**
(71) Applicant: **W.H.P.M. BIORESEARCH AND TECHNOLOGY CO., LTD.**, Beijing (CN)
(72) Inventor: **John Wan**, Beijing (CN)
(73) Assignee: **W. H. P. M. BIORESEARCH AND TECHNOLOGY CO., LTD.**, Beijing (CN)

(**) Term: **15 Years**
(21) Appl. No.: **29/611,974**
(22) Filed: **Jul. 27, 2017**

(30) **Foreign Application Priority Data**
Mar. 31, 2017 (CN) 2017 3 0102162
(51) **LOC (11) Cl.** **24-01**
(52) **U.S. Cl.**
USPC **D24/216**
(58) **Field of Classification Search**
USPC D24/107, 169, 185, 186, 216-219, D24/231-234; D10/81
CPC G01N 21/0483; G01N 21/0303; G01N 35/00029; G01N 35/00019; G01N 2035/00326; G01N 21/6428; G01N 21/6486; G01N 2201/061; G01N 33/5091
See application file for complete search history.

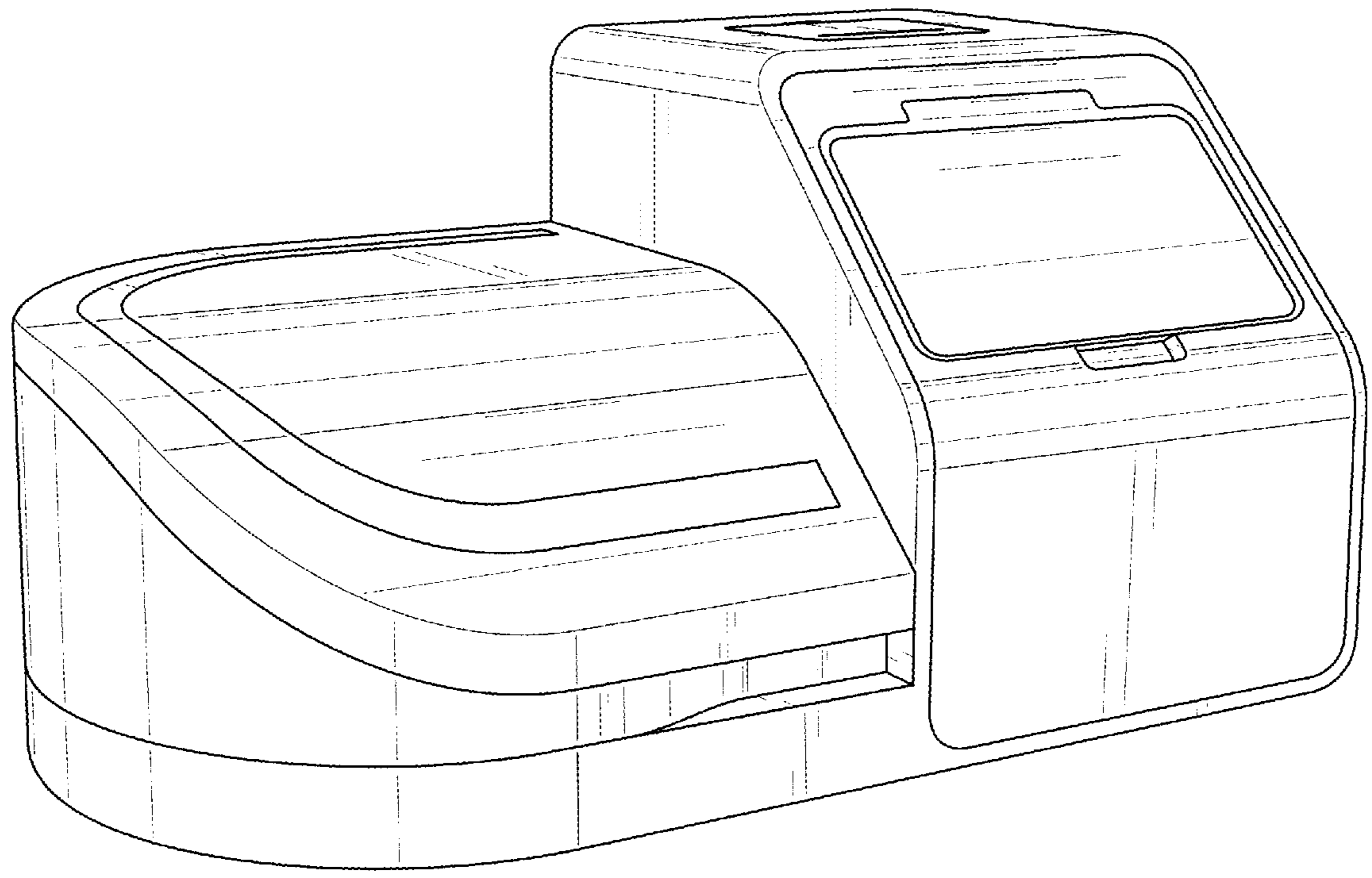
(56) **References Cited**
U.S. PATENT DOCUMENTS
D381,756 S * 7/1997 Ohnuma D24/232
6,002,474 A * 12/1999 Thomas B04B 5/0407
356/244
D687,963 S * 8/2013 Perpeet D24/216
D693,477 S * 11/2013 Isozaki D24/216
D719,276 S * 12/2014 Ryan D24/216
D776,290 S * 1/2017 Wan D24/216
D782,058 S * 3/2017 Wan D24/216
D782,690 S * 3/2017 Kurihara D24/216

* cited by examiner
Primary Examiner — Anhdao Doan
(74) *Attorney, Agent, or Firm* — Scully Scott Murphy & Presser

(57) **CLAIM**
The ornamental design for a fecal occult blood detector, as shown and described.

DESCRIPTION
FIG. 1 is a perspective view of a fecal occult blood detector, showing my new design;
FIG. 2 is a front elevation view thereof;
FIG. 3 is a rear elevation view thereof;
FIG. 4 is a side elevation view thereof;
FIG. 5 is an opposite side elevation view thereof;
FIG. 6 is a top plan view thereof; and,
FIG. 7 is a bottom plan view thereof.
The broken lines depict portions of the fecal occult blood detector that form no part of the claimed design.

1 Claim, 7 Drawing Sheets



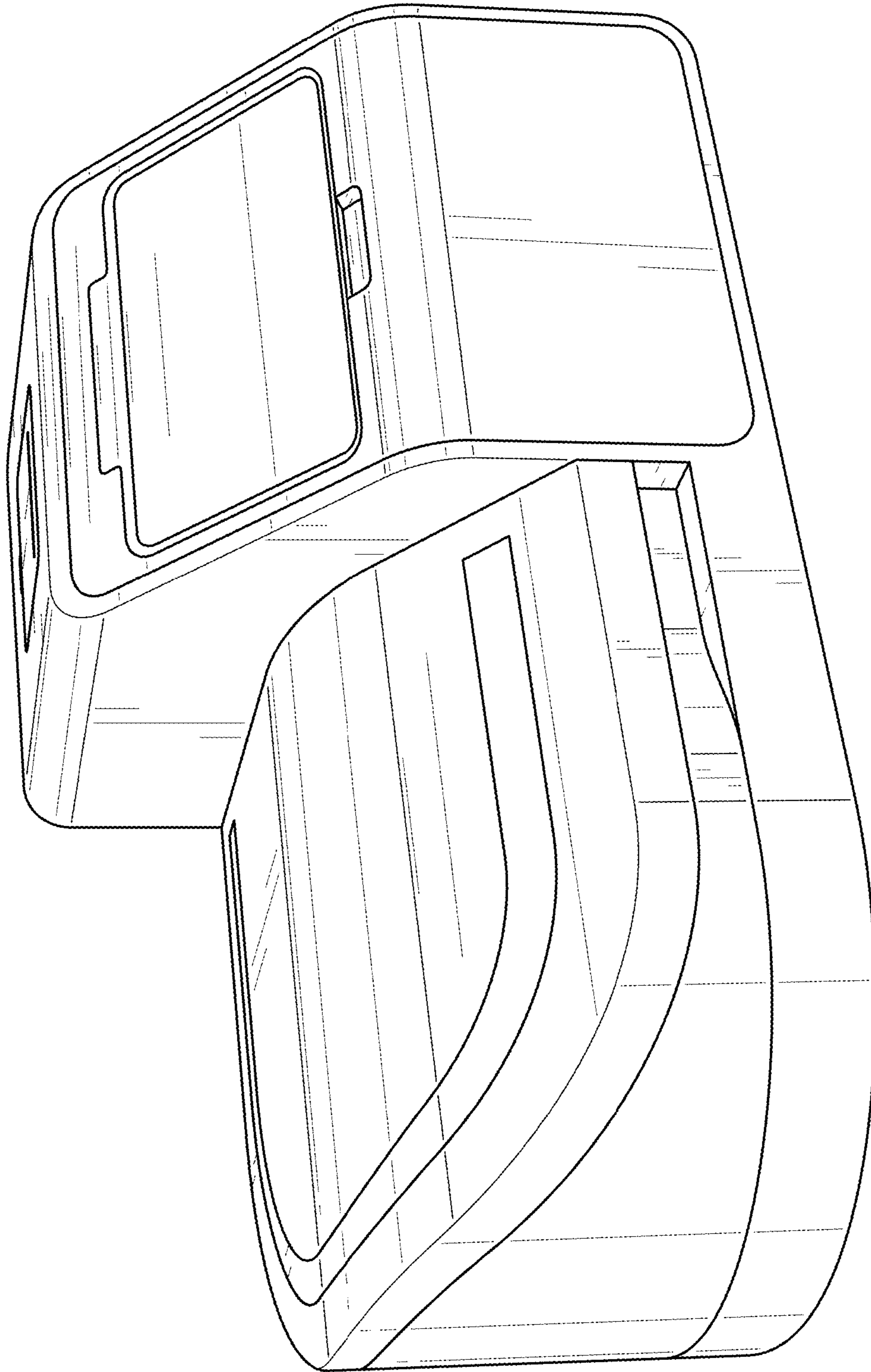


FIG. 1

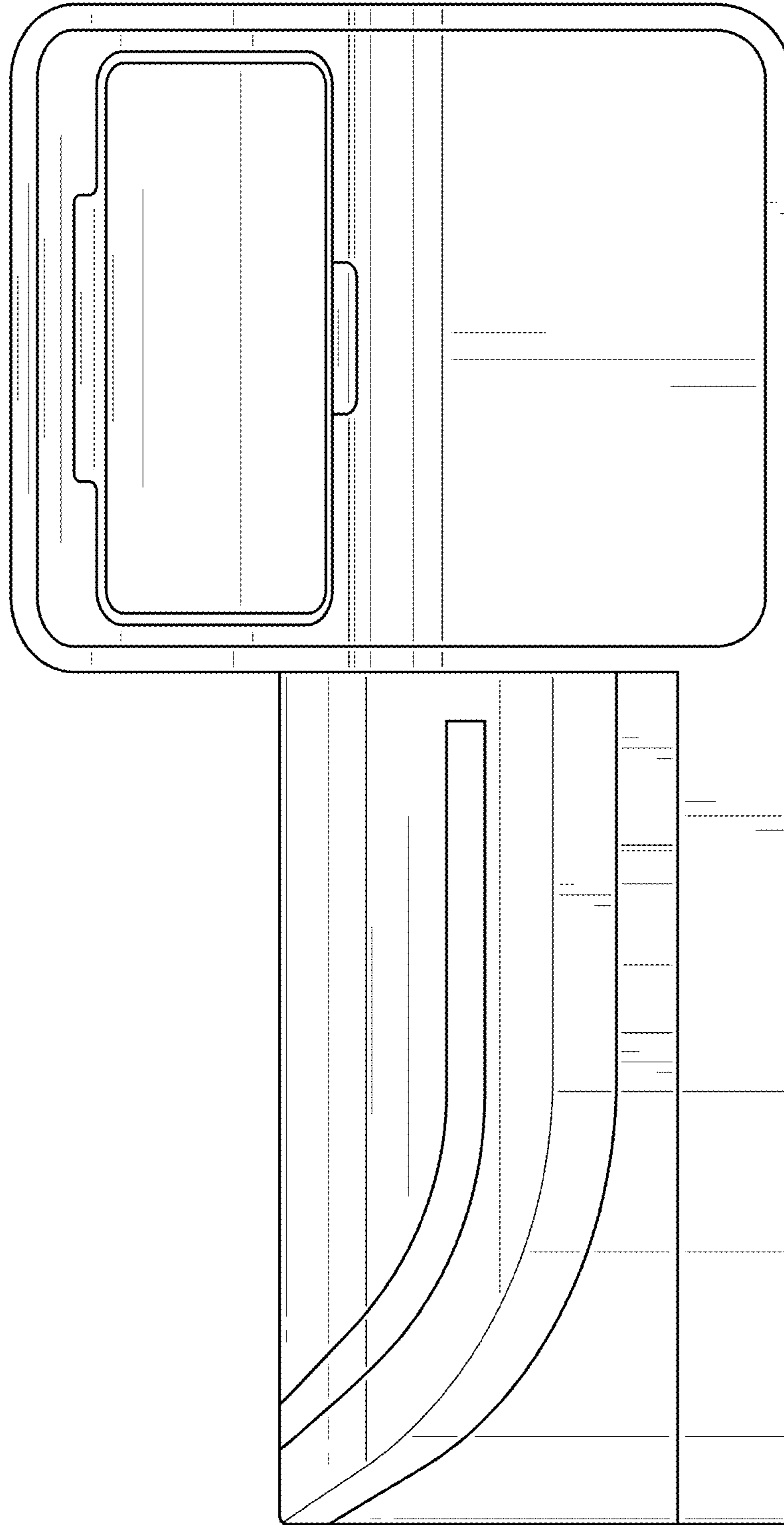


FIG. 2

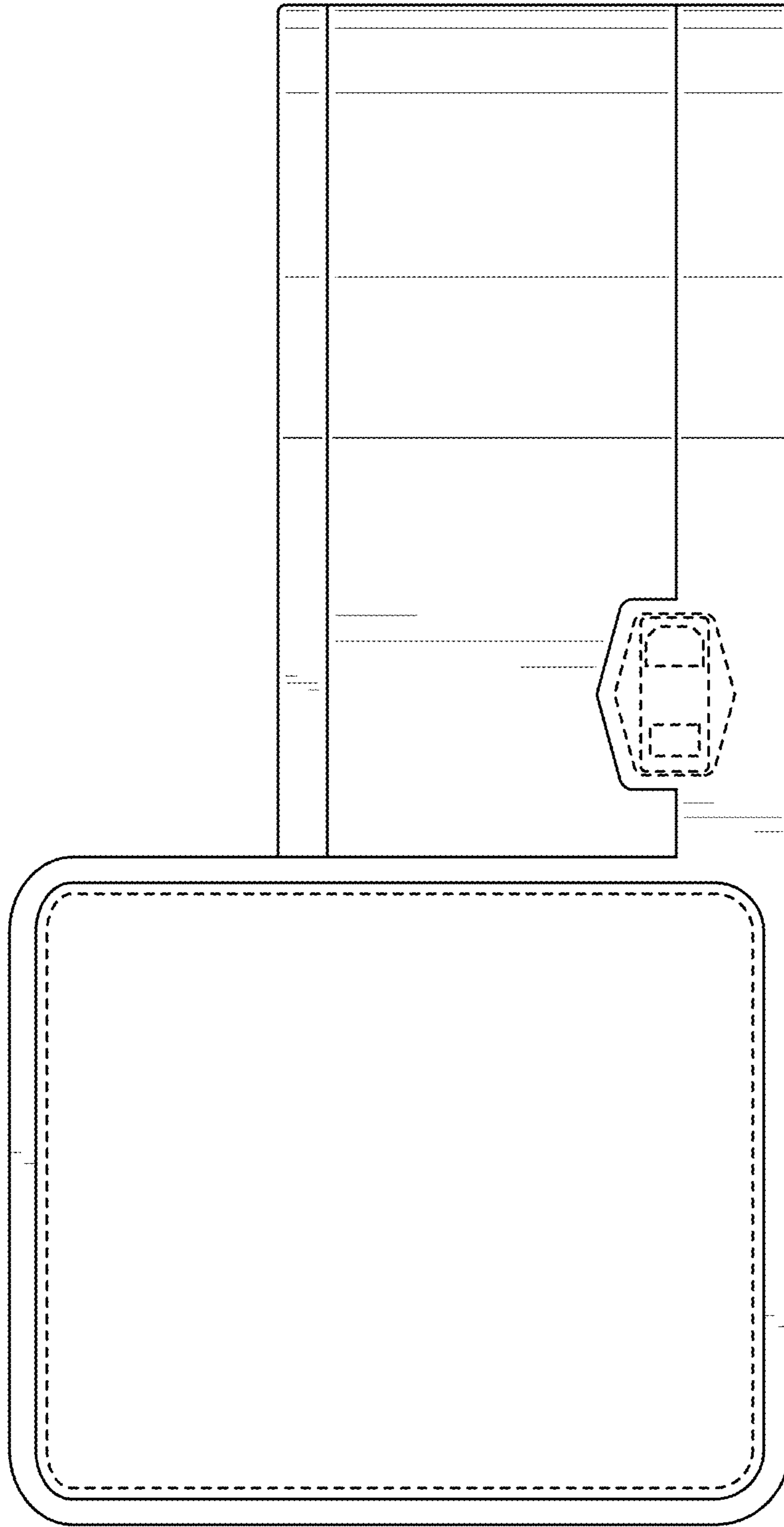


FIG. 3

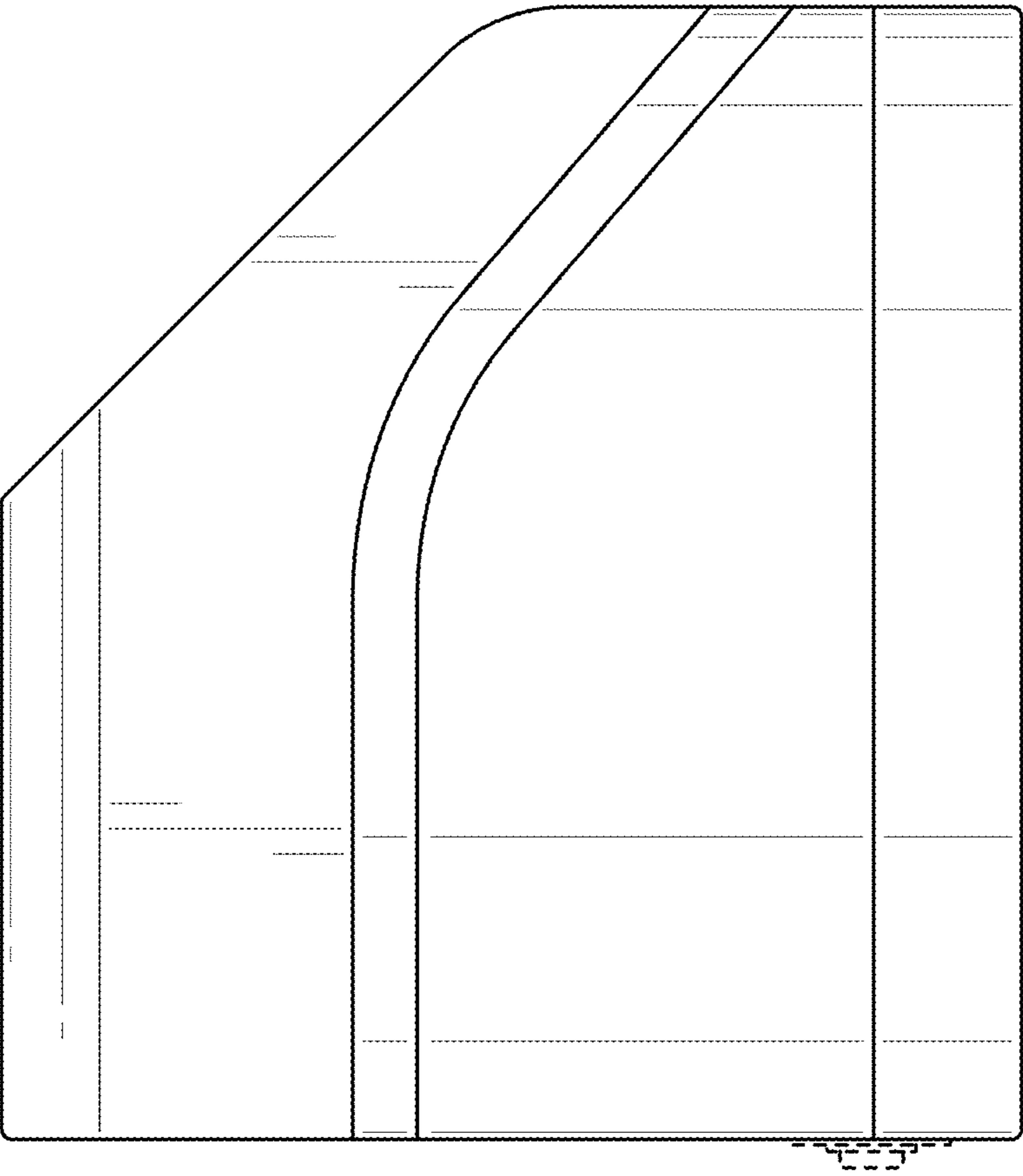


FIG. 4

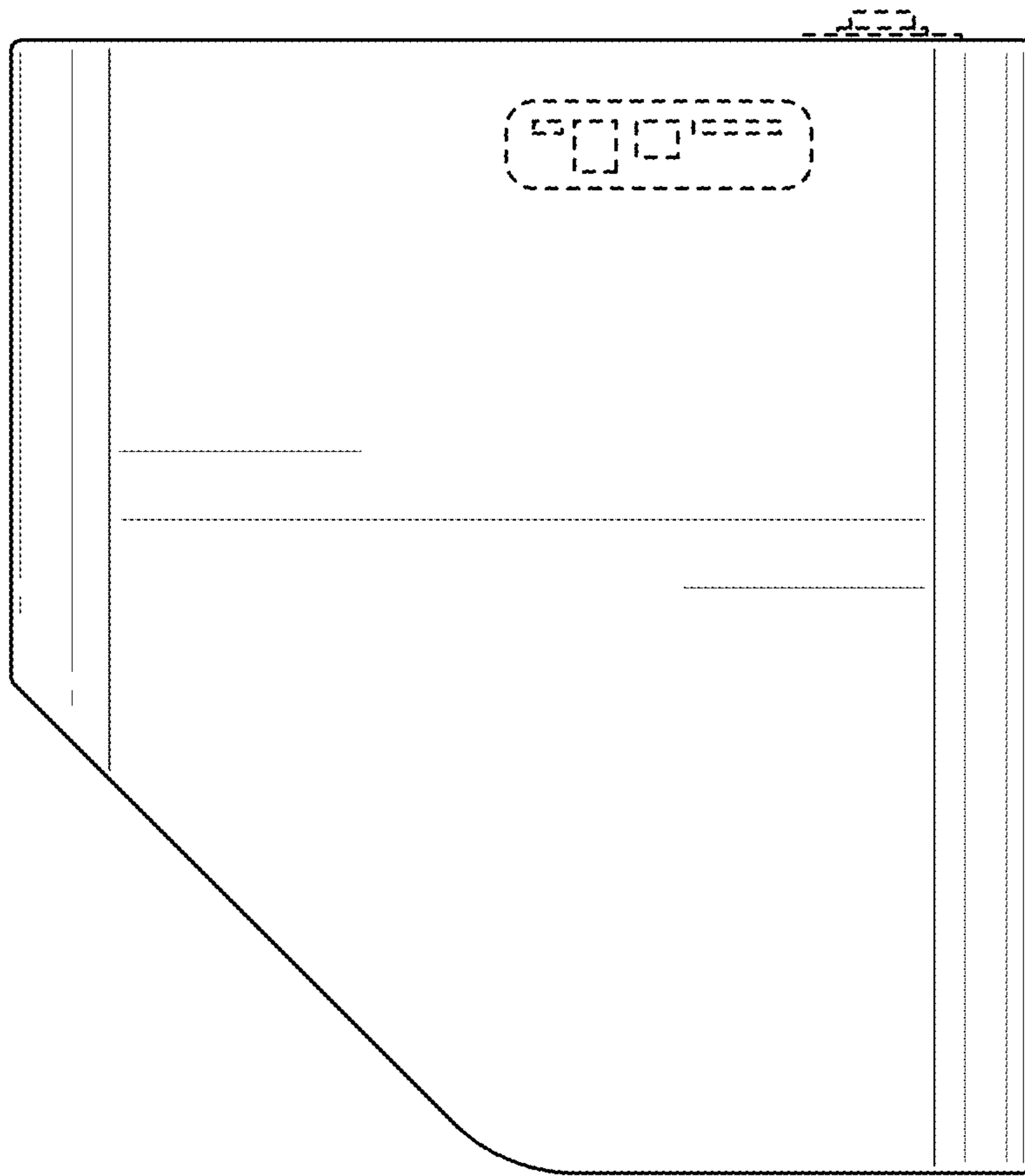


FIG. 5

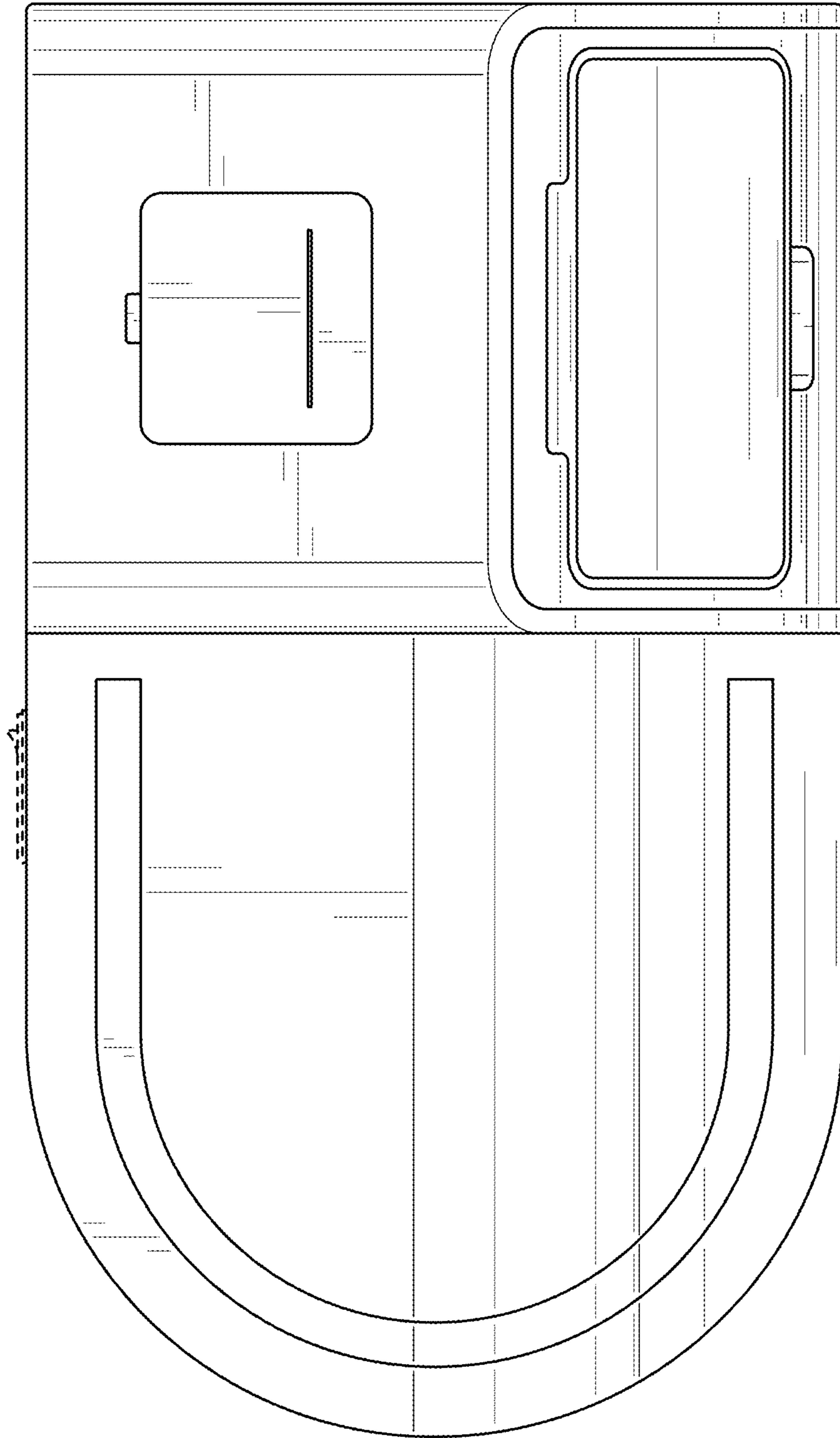


FIG. 6

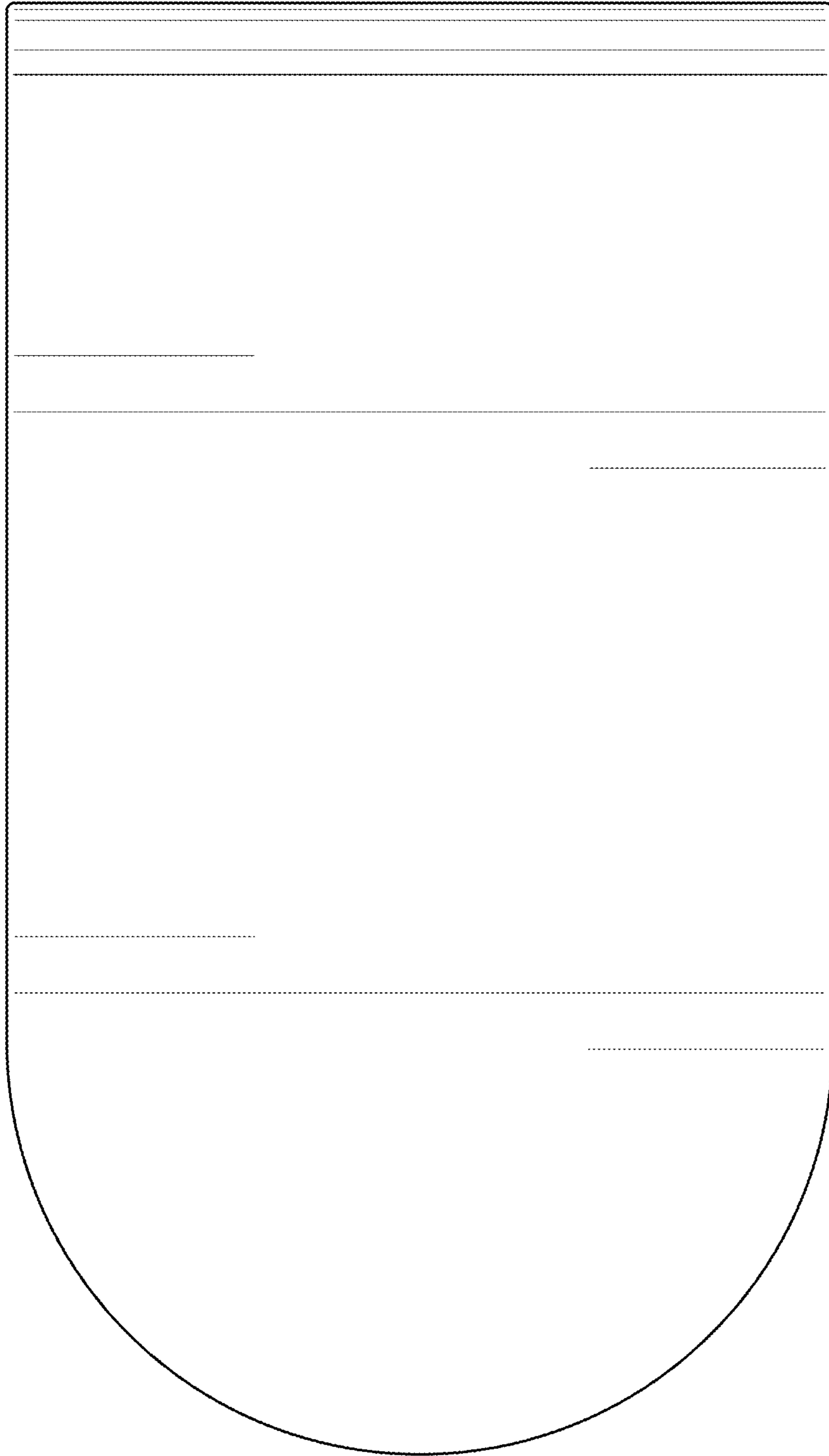


FIG. 7