



US00D825772S

(12) **United States Design Patent** (10) **Patent No.:** **US D825,772 S**
Sever et al. (45) **Date of Patent:** **** Aug. 14, 2018**

(54) **SAMPLE COLLECTION DEVICE OF AN ANALYTE DETECTION SYSTEM**

(71) Applicant: **CUE INC.**, San Diego, CA (US)

(72) Inventors: **Clinton Sever**, San Diego, CA (US);
Paul Nelson, San Diego, CA (US);
Ayub Khattak, San Diego, CA (US)

(73) Assignee: **CUE HEALTH INC.**, San Diego, CA (US)

(**) Term: **15 Years**

(21) Appl. No.: **29/591,165**

(22) Filed: **Jan. 17, 2017**

Related U.S. Application Data

(63) Continuation of application No. 29/584,030, filed on Nov. 10, 2016, which is a continuation of application No. PCT/US2016/042688, filed on Jul. 16, 2016.

(51) **LOC (11) Cl.** **24-01**

(52) **U.S. Cl.**
USPC **D24/216**

(58) **Field of Classification Search**

USPC D24/216-232, 107, 108, 119, 121, 162,
D24/169, 186, 201, 233, 234; D10/81;
422/553; 435/297.5, 305.3

CPC G01N 2035/00306; G01N 2035/00326;
G01N 2035/00336; G01N 2035/00029;
G01N 2035/0401; G01N 2035/0403;
G01N 2035/0405; G01N 2035/00019;
G01N 2030/027; G01N 35/08; G01N
35/02; G01N 35/021; G01N 35/026;
G01N 35/028; G01N 35/04; G01N 1/22;
G01N 1/2205; G01N 1/2273; G01N
33/497; G01N 33/4977;

(Continued)

(56) **References Cited**

U.S. PATENT DOCUMENTS

D115,326 S * 6/1939 Chott D24/149
D249,062 S * 8/1978 Crafoord 433/141

(Continued)

FOREIGN PATENT DOCUMENTS

EP 1183102 B2 12/2003
JP 2009-226404 A 10/2009

(Continued)

OTHER PUBLICATIONS

U.S. Notice of Allowance on U.S. Appl. No. 15/336,739 dated Feb. 26, 2018.

(Continued)

Primary Examiner — Anhdao Doan

Assistant Examiner — Mary Shannon Malley

(74) *Attorney, Agent, or Firm* — Foley & Lardner LLP;
Antoinette F. Konski; Marshall J. Brown

(57) **CLAIM**

We claim the ornamental design for a sample collection device of an analyte detection system, as shown and described.

DESCRIPTION

FIG. 1 is a top, front, right side perspective view of a sample collection device of an analyte detection system according to an exemplary embodiment;

FIG. 2 is a right side elevation view thereof;

FIG. 3 is a left side elevation view thereof;

FIG. 4 is a top plan view thereof;

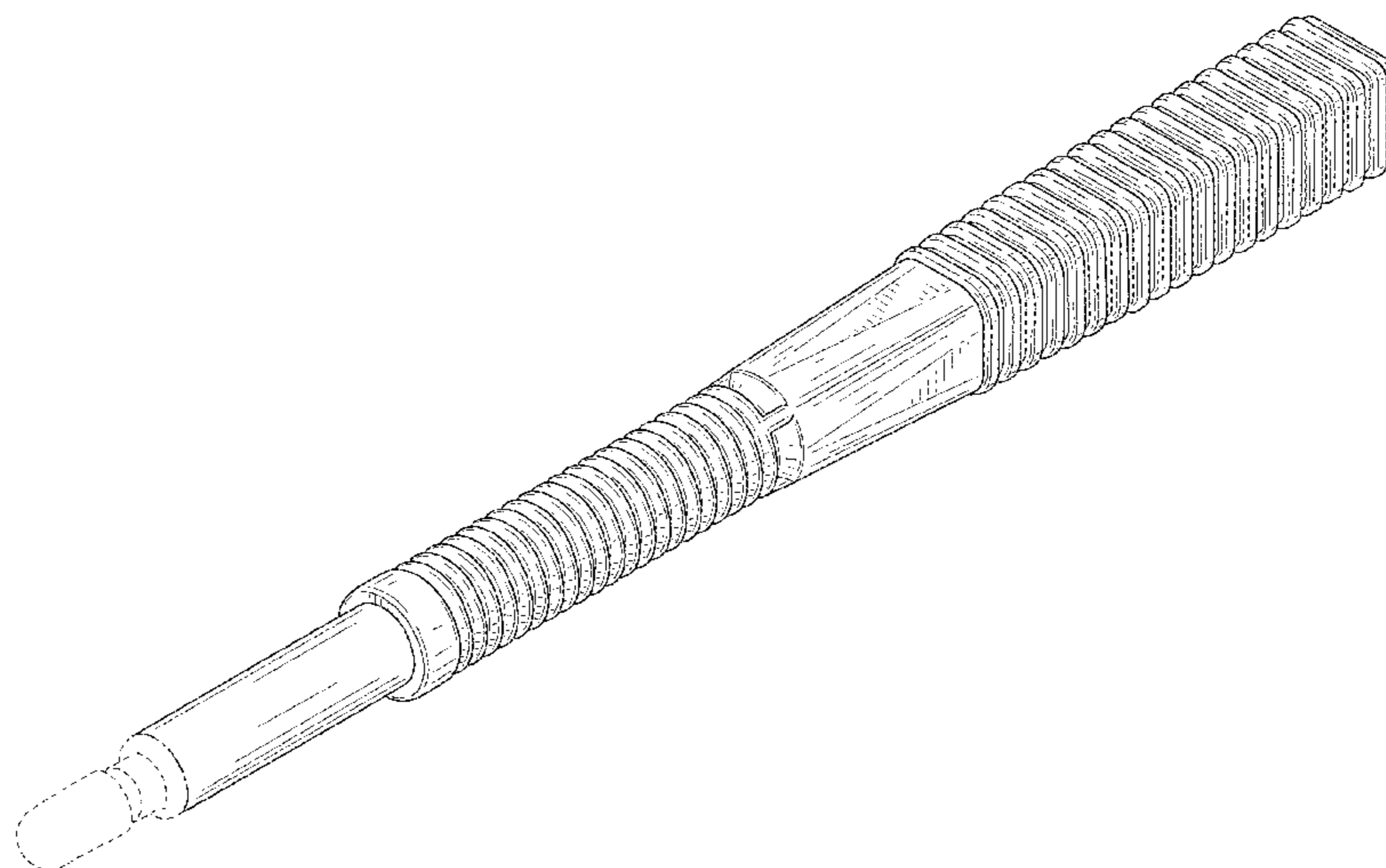
FIG. 5 is a bottom plan view thereof;

FIG. 6 is a front elevation view thereof; and,

FIG. 7 is a rear elevation view thereof.

The dash-dash broken lines represent portions of the sample collection device of an analyte detection system that form no part of the claimed design. The dash-dot lines define the boundaries of the claimed design.

1 Claim, 4 Drawing Sheets



(58) **Field of Classification Search**
 CPC B01L 2300/0809; B01L 2300/0816; B01L
 2300/0822; B01L 2300/0832; B01L
 2300/0806; B01L 2300/0861; B01L
 2300/0829; B01L 3/5085; B01L 3/50853
 See application file for complete search history.

| | | | |
|----|----------------|----|---------|
| JP | 2012-173181 | A | 9/2012 |
| JP | 2012-521558 | | 9/2012 |
| WO | WO-2006/121510 | A1 | 11/2006 |
| WO | WO-2010/003212 | A1 | 1/2010 |
| WO | WO-2010/109392 | A1 | 9/2010 |
| WO | WO-2012/025729 | A1 | 3/2012 |
| WO | WO-2012/032294 | A1 | 3/2012 |

(56) **References Cited**

U.S. PATENT DOCUMENTS

| | | | | | |
|--------------|------|---------|-------------------|---------------------|----------|
| D303,288 | S * | 9/1989 | Harboe | | D24/111 |
| D306,067 | S * | 2/1990 | Bogdanoff | | D24/149 |
| D343,679 | S * | 1/1994 | Wong | | D24/119 |
| 5,498,392 | A | 3/1996 | Wilding et al. | | |
| D379,230 | S * | 5/1997 | Mark | | D24/152 |
| D402,753 | S * | 12/1998 | White | | D24/108 |
| 6,146,590 | A * | 11/2000 | Mazurek | G01N 33/54386 | 422/401 |
| D458,456 | S * | 6/2002 | Dragan | | D24/119 |
| 6,514,415 | B2 | 2/2003 | Hatch et al. | | |
| D518,597 | S * | 4/2006 | Sommers | | D24/119 |
| 7,723,099 | B2 | 5/2010 | Miller et al. | | |
| D698,036 | S * | 1/2014 | Dickinson | | D24/223 |
| 8,724,833 | B1 | 5/2014 | Shain et al. | | |
| 8,802,445 | B2 | 8/2014 | Linder et al. | | |
| 8,883,518 | B2 | 11/2014 | Roy et al. | | |
| 9,028,773 | B2 | 5/2015 | Ganesan | | |
| 9,176,126 | B2 | 11/2015 | Holmes et al. | | |
| 9,310,231 | B2 | 4/2016 | Bloss et al. | | |
| 9,435,793 | B2 | 9/2016 | Burd et al. | | |
| 9,636,676 | B2 * | 5/2017 | Sever | B01L 3/502738 | |
| 9,718,058 | B2 * | 8/2017 | Khattak | B01L 3/508 | |
| 9,724,691 | B2 * | 8/2017 | Khattak | B01L 3/508 | |
| 2002/0123048 | A1 | 9/2002 | Gau, Jr. | | |
| 2004/0082878 | A1 | 4/2004 | Baldwin et al. | | |
| 2004/0214200 | A1 * | 10/2004 | Brown | B01L 3/5029 | 435/6.18 |
| 2005/0171528 | A1 | 8/2005 | Sartor et al. | | |
| 2005/0200643 | A1 | 9/2005 | Falcon | | |
| 2006/0160205 | A1 | 7/2006 | Blackburn et al. | | |
| 2007/0060815 | A1 | 3/2007 | Martin et al. | | |
| 2007/0299364 | A1 * | 12/2007 | Sangha | A61F 13/38 | 600/572 |
| 2009/0130777 | A1 | 5/2009 | Arinaga et al. | | |
| 2010/0274155 | A1 | 10/2010 | Battrell et al. | | |
| 2010/0280146 | A1 | 11/2010 | Vanderlaan et al. | | |
| 2011/0212440 | A1 | 9/2011 | Viovy et al. | | |
| 2011/0233073 | A1 | 9/2011 | Laczka et al. | | |
| 2011/0272294 | A1 | 11/2011 | Fujiwara | | |
| 2012/0014836 | A1 | 1/2012 | Dittmer | | |
| 2012/0095316 | A1 | 4/2012 | Lewis et al. | | |
| 2012/0255860 | A1 | 10/2012 | Briman et al. | | |
| 2013/0145591 | A1 * | 6/2013 | Chen | B25B 27/06 | 29/256 |
| 2014/0242622 | A1 | 8/2014 | Petrich et al. | | |
| 2017/0043336 | A1 * | 2/2017 | Khattak | B01L 3/5027 | |
| 2017/0045508 | A1 * | 2/2017 | Khattak | G01N 33/54366 | |
| 2017/0080421 | A1 | 3/2017 | Khattak et al. | | |
| 2017/0216842 | A1 | 8/2017 | Khattak et al. | | |
| 2017/0241845 | A1 * | 8/2017 | Hwang | F16C 29/00 | |
| 2017/0248622 | A1 | 8/2017 | Khattak et al. | | |
| 2017/0266657 | A1 | 9/2017 | Khattak et al. | | |

FOREIGN PATENT DOCUMENTS

| | | | |
|----|-------------|---|--------|
| JP | 2011-013043 | A | 1/2011 |
| JP | 2012-127978 | A | 7/2012 |

OTHER PUBLICATIONS

U.S. Notice of Allowance on U.S. Appl. No. 15/487,956 dated Jan. 31, 2018.
 U.S. Notice of Allowance on U.S. Appl. No. 29/584,030 dated Feb. 22, 2018.
 U.S. Notice of Allowance on U.S. Appl. No. 29/584,715 dated Feb. 20, 2018.
 U.S. Office Action on U.S. Appl. No. 15/336,502 dated Feb. 21, 2018.
 U.S. Office Action on U.S. Appl. No. 29/584,030 dated Nov. 29, 2017.
 U.S. Appl. No. 29/584,715, filed Nov. 16, 2016, Khattak et al. Notice of Allowance in U.S. Appl. No. 29/574,538 dated Feb. 17, 2017.
 U.S. Final Office Action dated Jul. 14, 2017 in U.S. Appl. No. 15/336,502.
 U.S. Final Office Action dated Jul. 21, 2017 in U.S. Appl. No. 15/336,739.
 U.S. Non-Final Office Action dated Feb. 9, 2017 in U.S. Appl. No. 15/336,715.
 U.S. Non-Final Office Action dated Jan. 27, 2017 in U.S. Appl. No. 15/336,502.
 U.S. Non-Final Office Action dated Jan. 30, 2017 in U.S. Appl. No. 15/336,487.
 U.S. Non-Final Office Action dated Mar. 16, 2017 in U.S. Appl. No. 15/336,712.
 U.S. Non-Final Office Action dated Mar. 21, 2017 in U.S. Appl. No. 15/336,739.
 U.S. Notice of Allowability in U.S. Appl. No. 15/336,735, dated Feb. 13, 2017.
 U.S. Notice of Allowance in U.S. Appl. No. 15/336,712, dated Sep. 20, 2017.
 U.S. Notice of Allowance in U.S. Appl. No. 14/205,146, dated Jun. 23, 2017, 11 pages.
 U.S. Notice of Allowance in U.S. Appl. No. 15/172,077, dated Feb. 10, 2017.
 U.S. Notice of Allowance in U.S. Appl. No. 15/336,487, dated Jun. 6, 2017, 26 pages.
 U.S. Notice of Allowance in U.S. Appl. No. 15/336,712, dated Jul. 12, 2017, 9 pages.
 U.S. Notice of Allowance in U.S. Appl. No. 15/336,715, dated May 17, 2017, 17 pages.
 U.S. Notice of Allowance in U.S. Appl. No. 15/336,715, dated Jun. 29, 2017, 3 pages.
 U.S. Office Action in U.S. Appl. No. 15/487,956, dated Oct. 18, 2017.
 U.S. Supplemental Notice of Allowability in U.S. Appl. No. 15/172,077 dated Mar. 7, 2017.
 PCT International Search Report and Written Opinion for Application No. PCT/US2018/015111 dated Apr. 13, 2018. (11 pages).

* cited by examiner

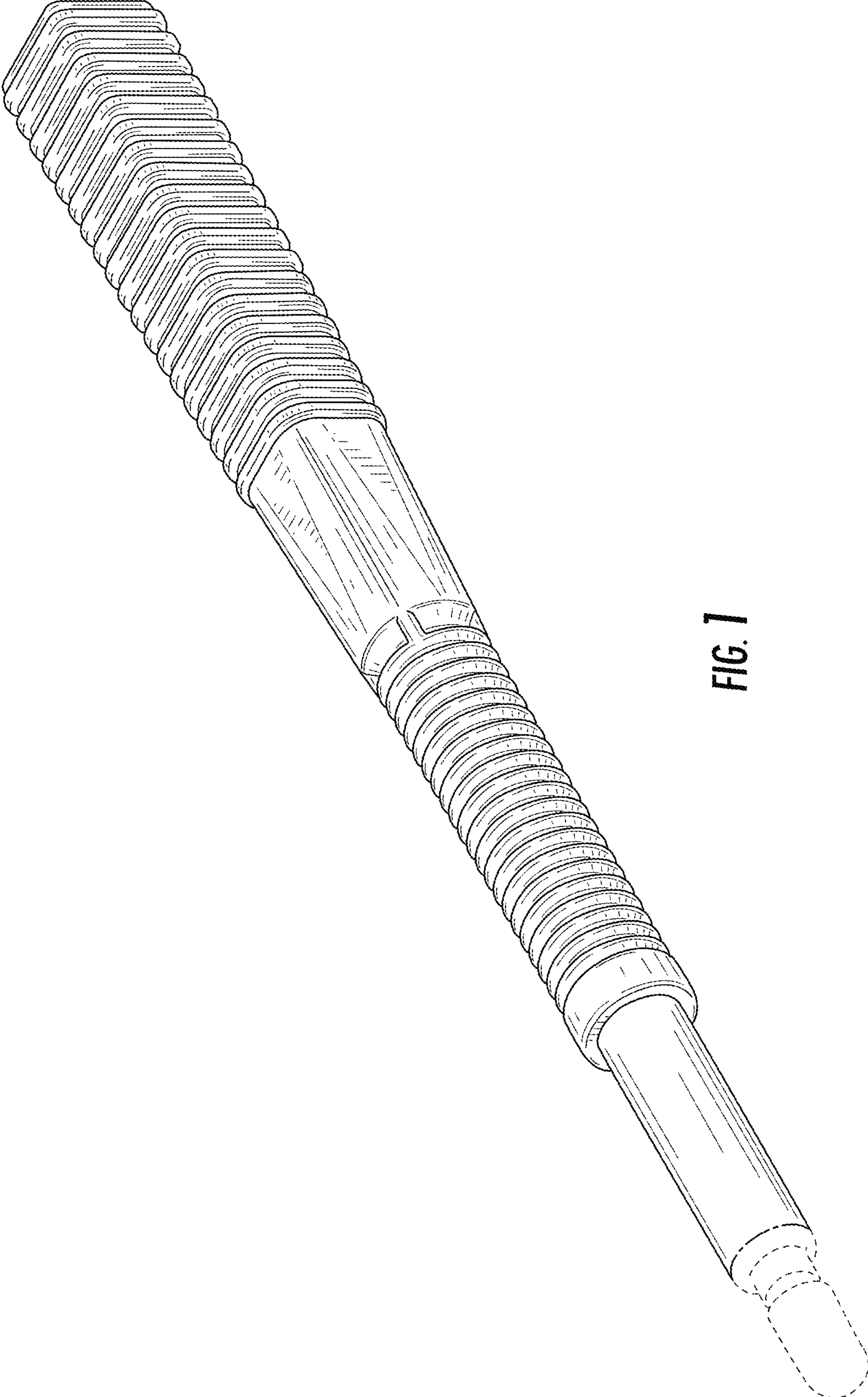


FIG. 1

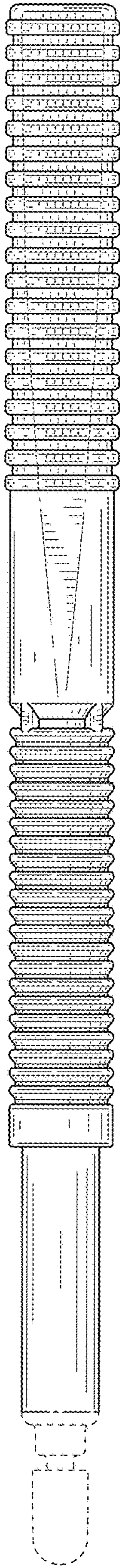


FIG. 2

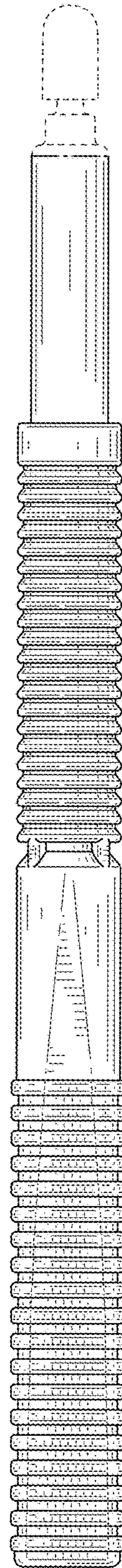


FIG. 3

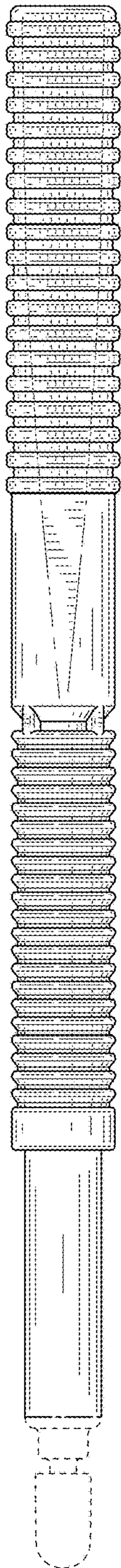


FIG. 4

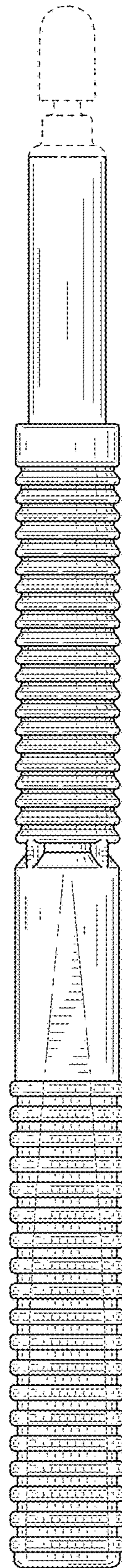


FIG. 5

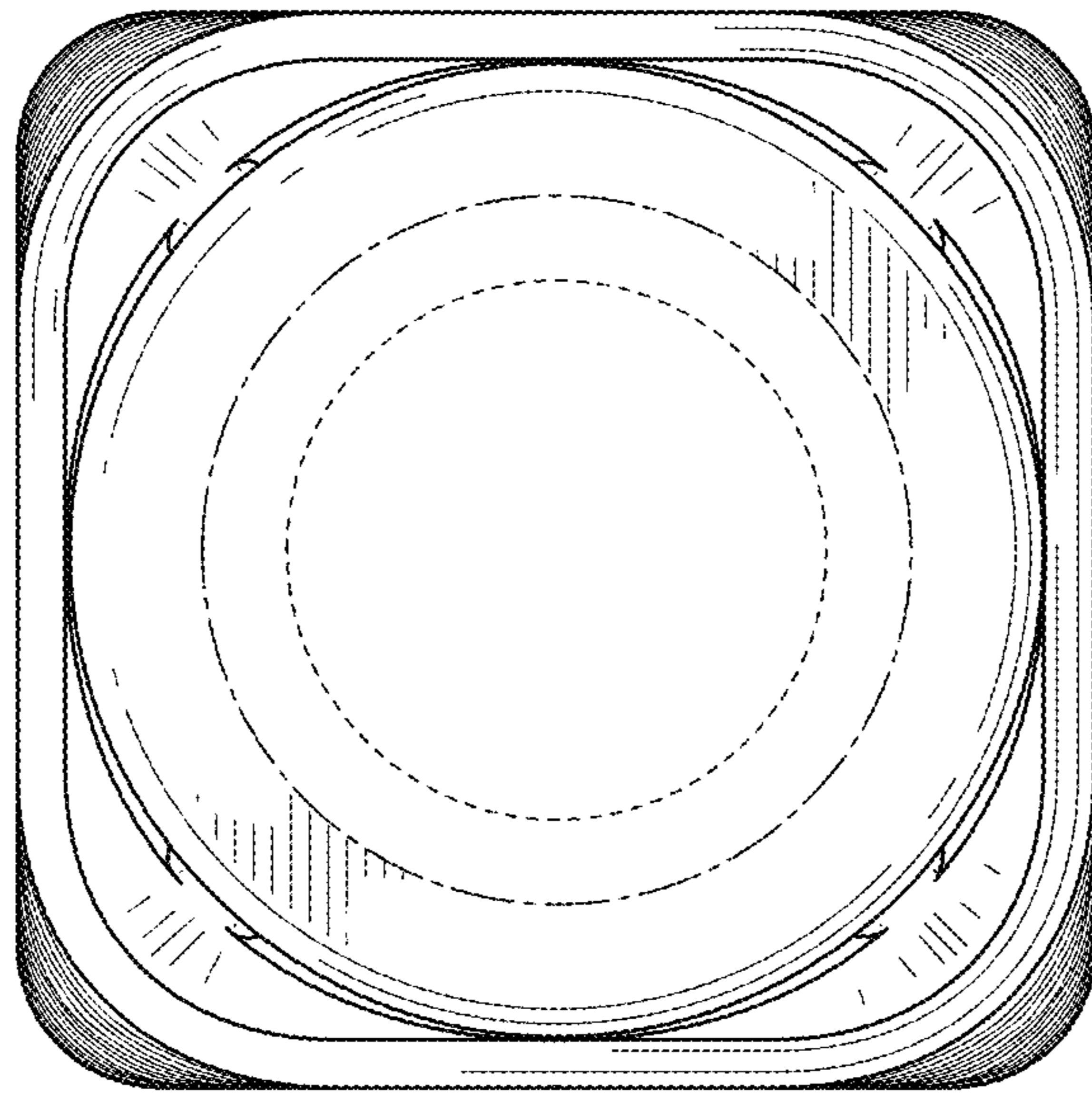


FIG. 6

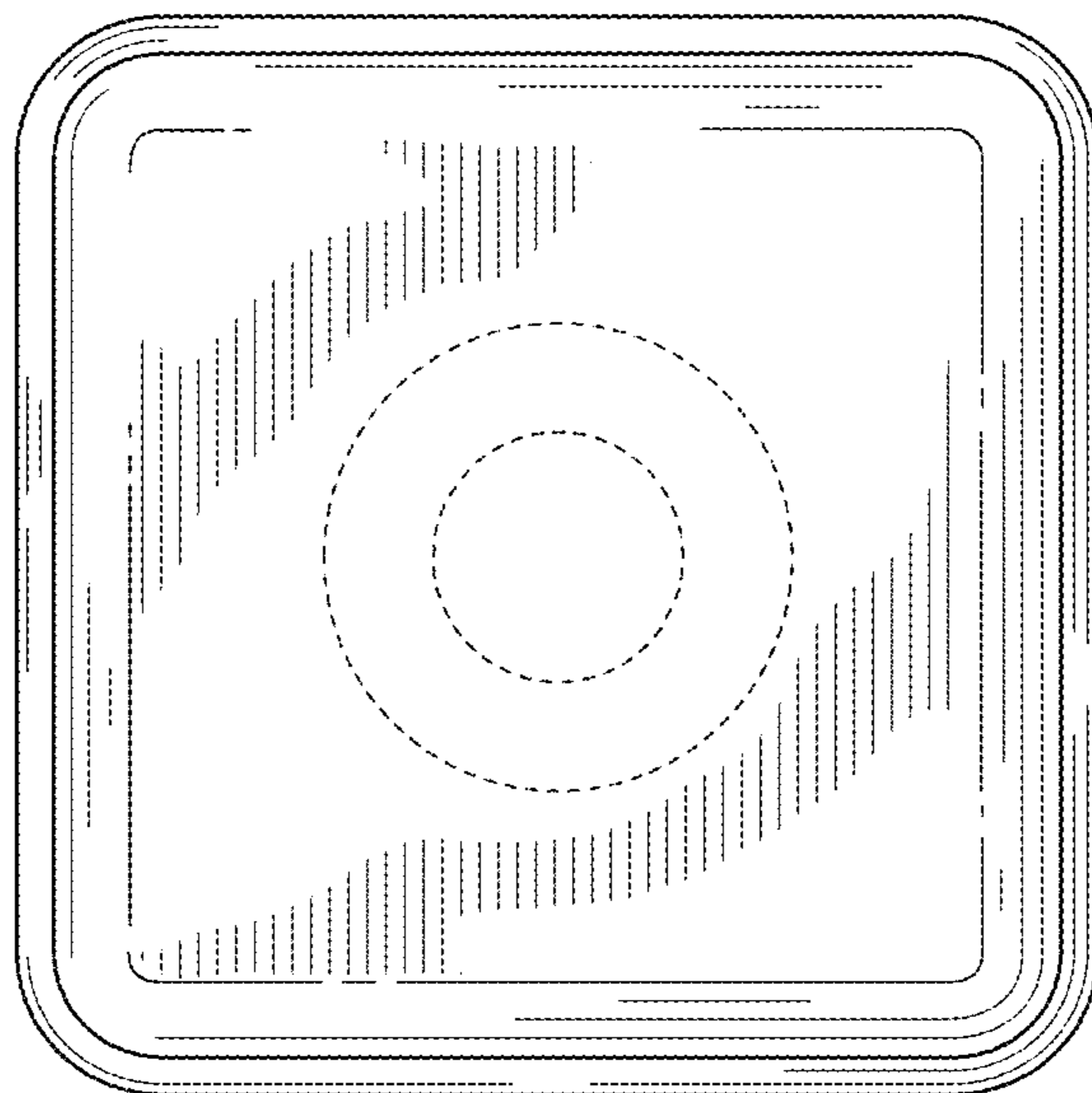


FIG. 7