



US00D825771S

(12) **United States Design Patent** (10) **Patent No.:** **US D825,771 S**  
**Park** (45) **Date of Patent:** **\*\* Aug. 14, 2018**

(54) **SCALP MASSAGER**  
(71) Applicant: **Doo Heon Park**, Daejeon (KR)  
(72) Inventor: **Doo Heon Park**, Daejeon (KR)  
(\*\*) Term: **15 Years**

D587,380 S \* 2/2009 Nan ..... D24/215  
D599,029 S \* 8/2009 Ferber ..... D24/214  
D631,972 S \* 2/2011 Imboden ..... D24/215  
D633,217 S \* 2/2011 Robertson ..... D24/215  
D633,218 S \* 2/2011 Robertson ..... D24/215  
D667,560 S \* 9/2012 Caggiano ..... D24/215

(21) Appl. No.: **35/502,793**  
(22) Filed: **Oct. 13, 2016**

**FOREIGN PATENT DOCUMENTS**

CN 201630121830.X 4/2016  
\* cited by examiner

(80) **Hague Agreement Data**  
Int. Filing Date: **Oct. 13, 2016**  
Int. Reg. No.: **DM/094611**  
Int. Reg. Date: **Oct. 13, 2016**  
Int. Reg. Pub. Date: **Apr. 14, 2017**

*Primary Examiner* — Manpreet S Matharu  
*Assistant Examiner* — Eliza Z Bennett-Hattan

(30) **Foreign Application Priority Data**

Apr. 13, 2016 (CN) ..... 2016 3 0121830

(51) **LOC (11) Cl.** ..... **28-03**  
(52) **U.S. Cl.**  
USPC ..... **D24/215**

(57) **CLAIM**

The ornamental design for a scalp massager, as shown and described.

(58) **Field of Classification Search**  
USPC ..... D24/200, 211, 214, 215; D25/38.1, 41.1, D25/135, 48.8; D8/380; D6/556; D28/18  
CPC .... A61H 7/003; A61H 39/04; A61H 15/0092; A61H 2201/0153; A61H 7/001; A61H 2201/1253; A61H 7/00  
See application file for complete search history.

**DESCRIPTION**

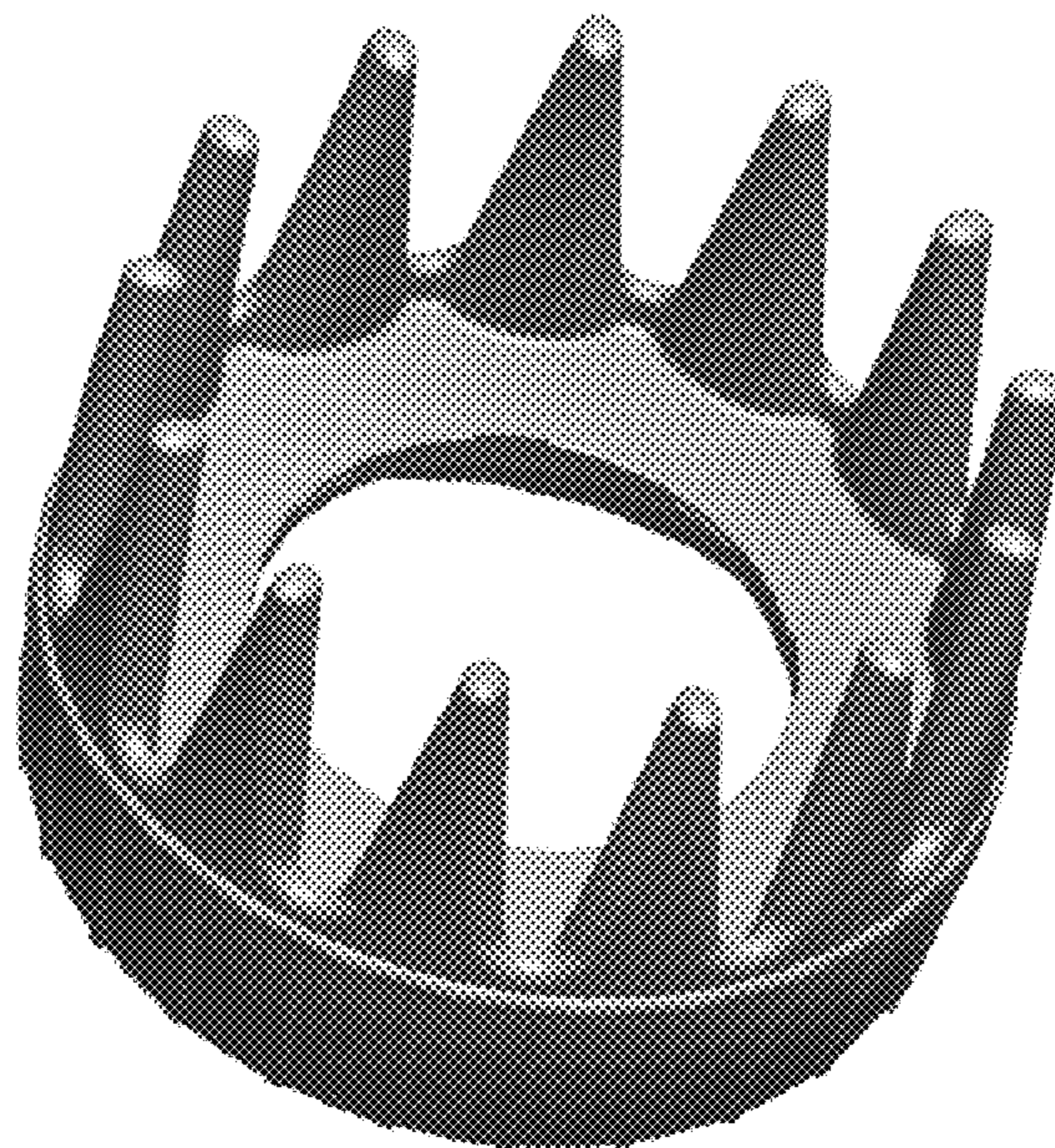
- 1. Scalp massager
- 1.1 : Front
- 1.2 : Back
- 1.3 : Left
- 1.4 : Right
- 1.5 : Top
- 1.6 : Bottom
- 1.7 : Perspective
- 1.8 : Perspective

The title of the design is a scalp massager; it's designed for massaging scalp; the key point of the design is in the shape of the product; fig. 1.7 is a perspective view that shows the characteristics of the design most.

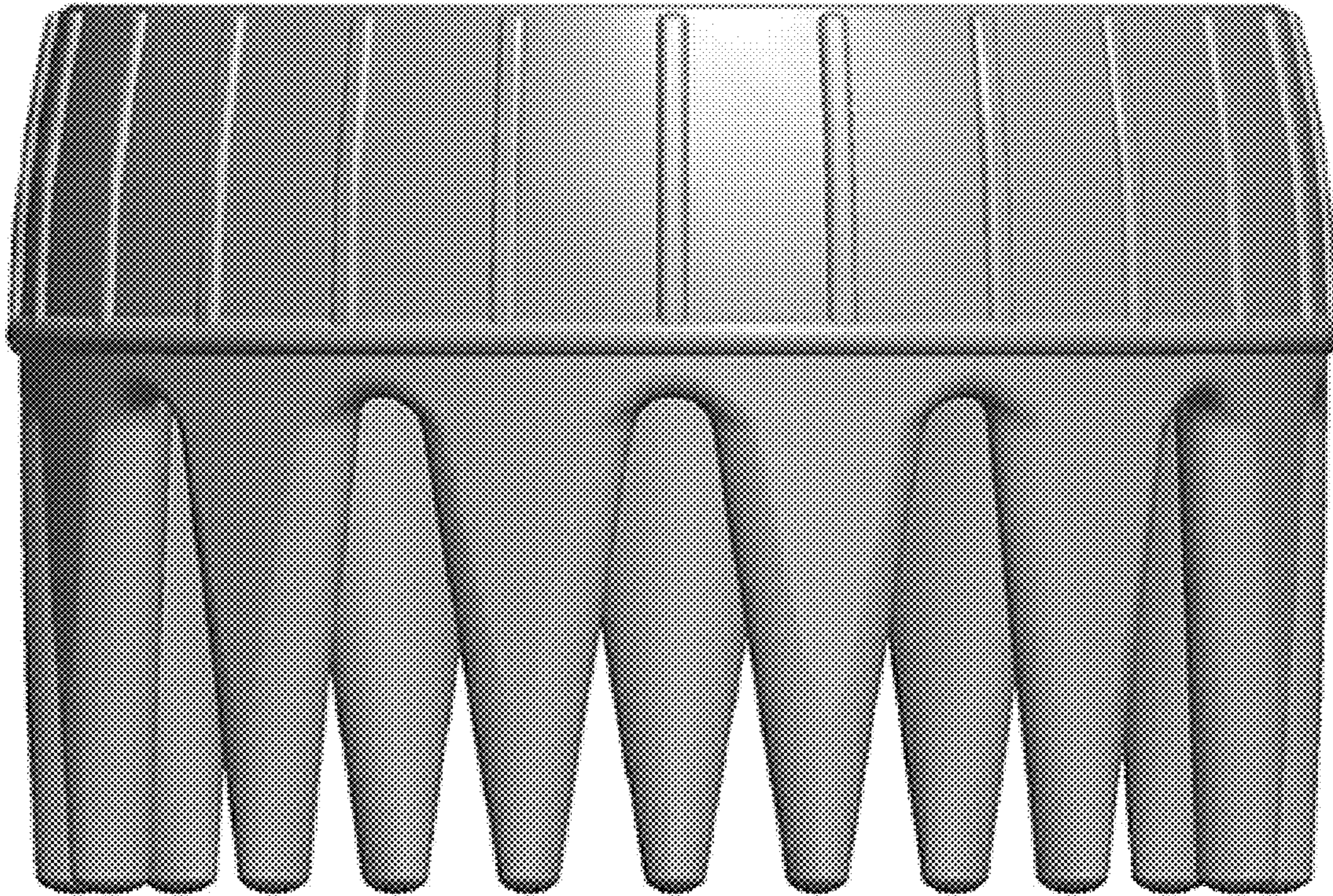
(56) **References Cited**  
**U.S. PATENT DOCUMENTS**

D479,336 S \* 9/2003 La Bianco ..... D24/215  
D504,954 S \* 5/2005 Park ..... D24/200

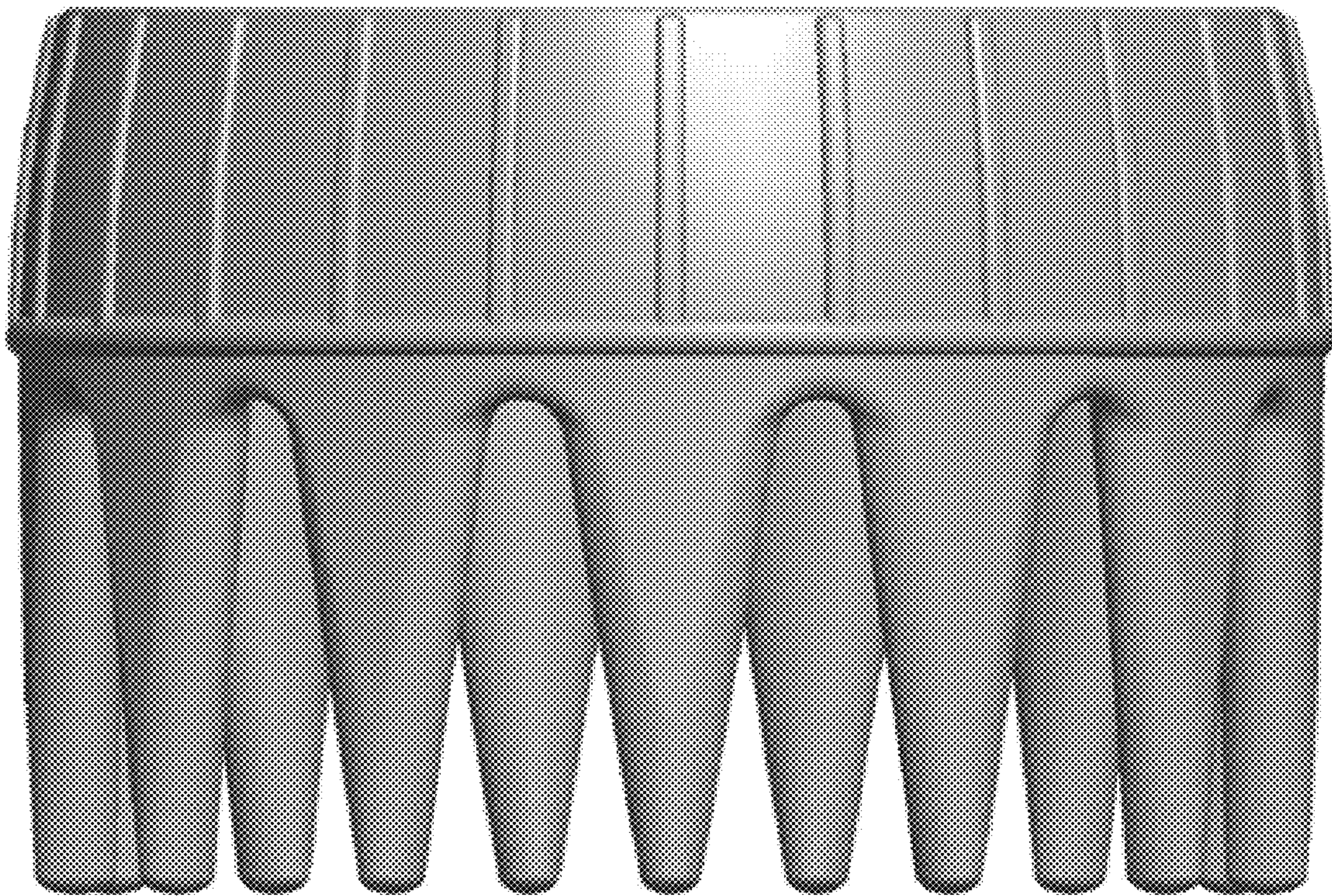
**1 Claim, 8 Drawing Sheets**



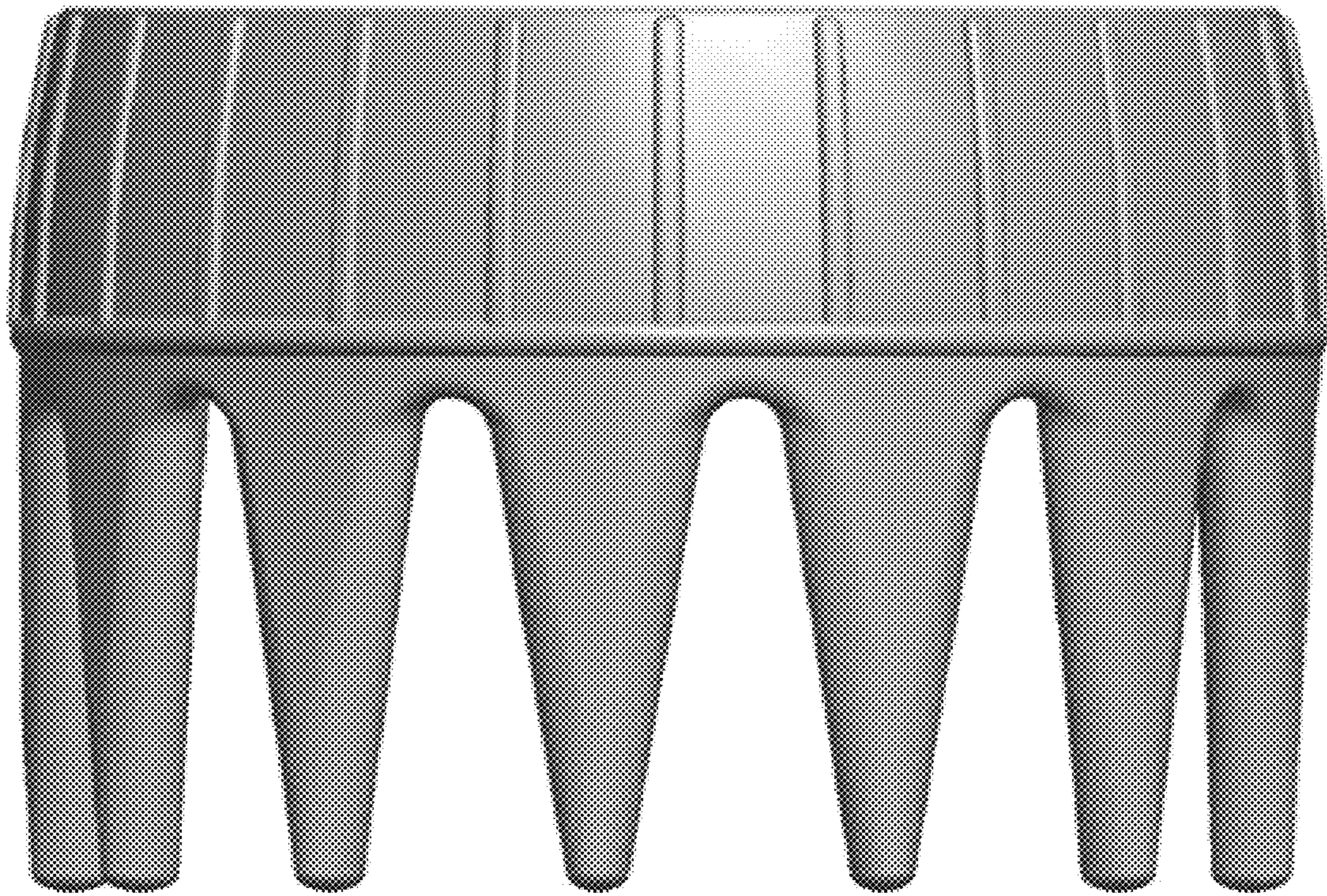
**1.1**



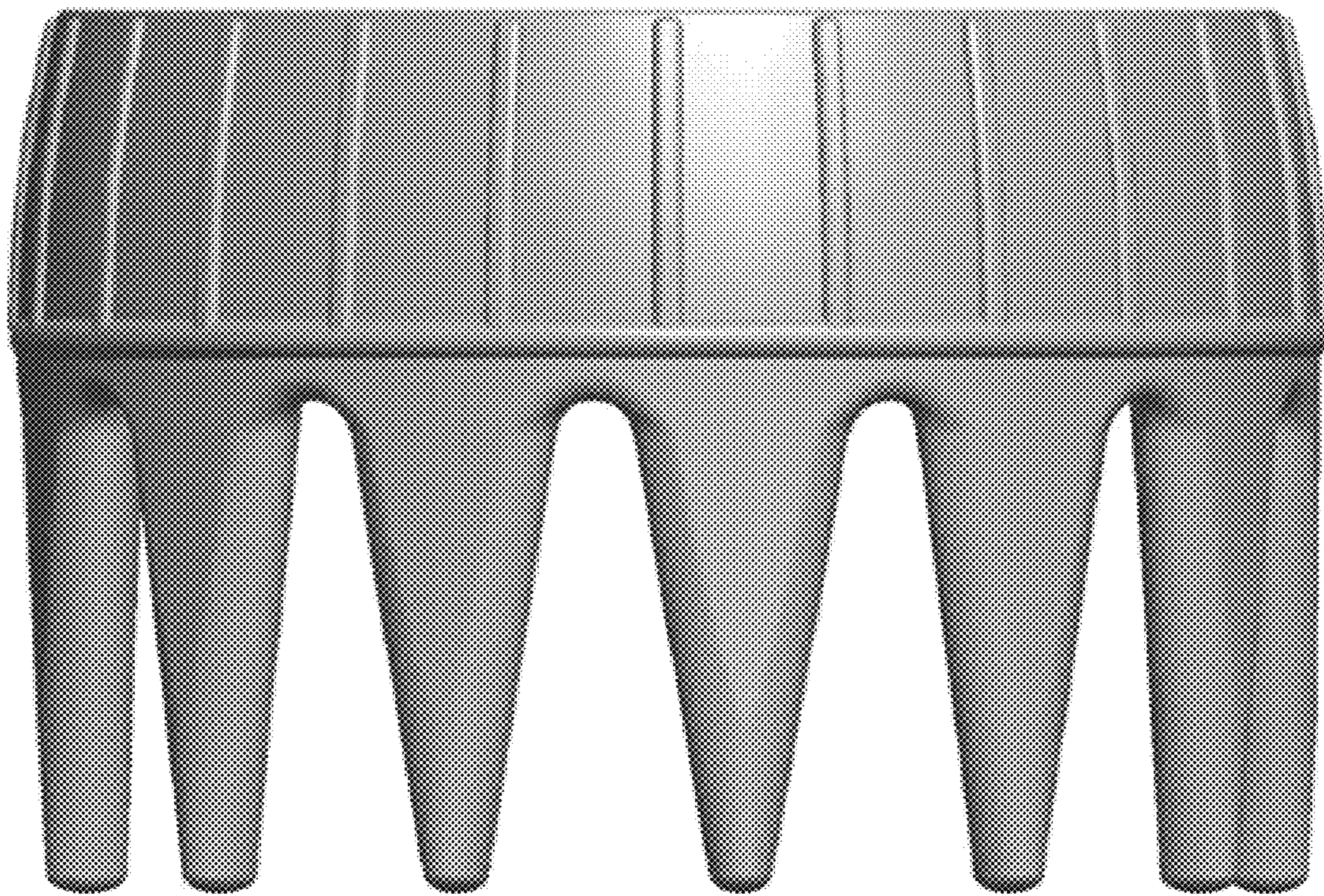
**1.2**



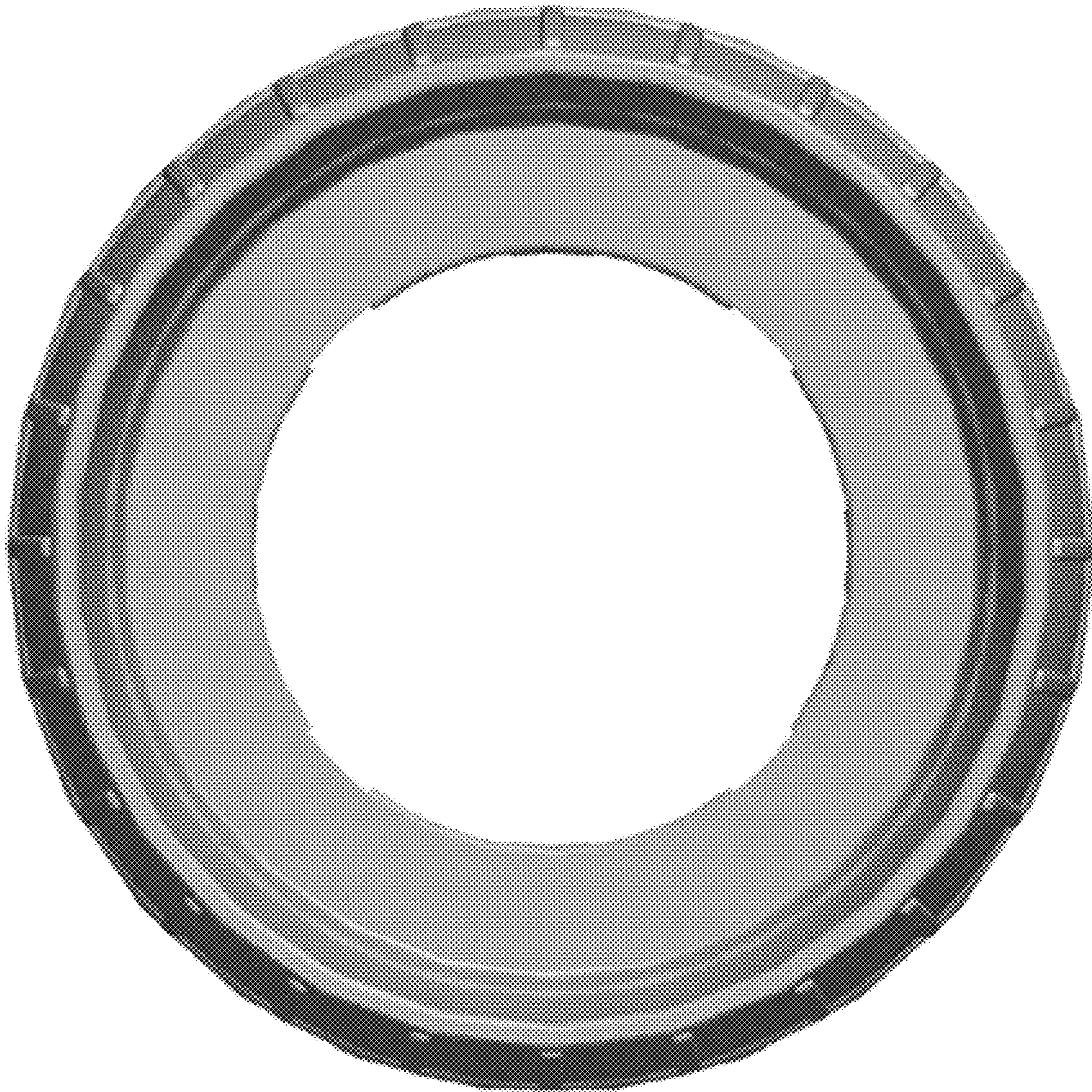
**1.3**



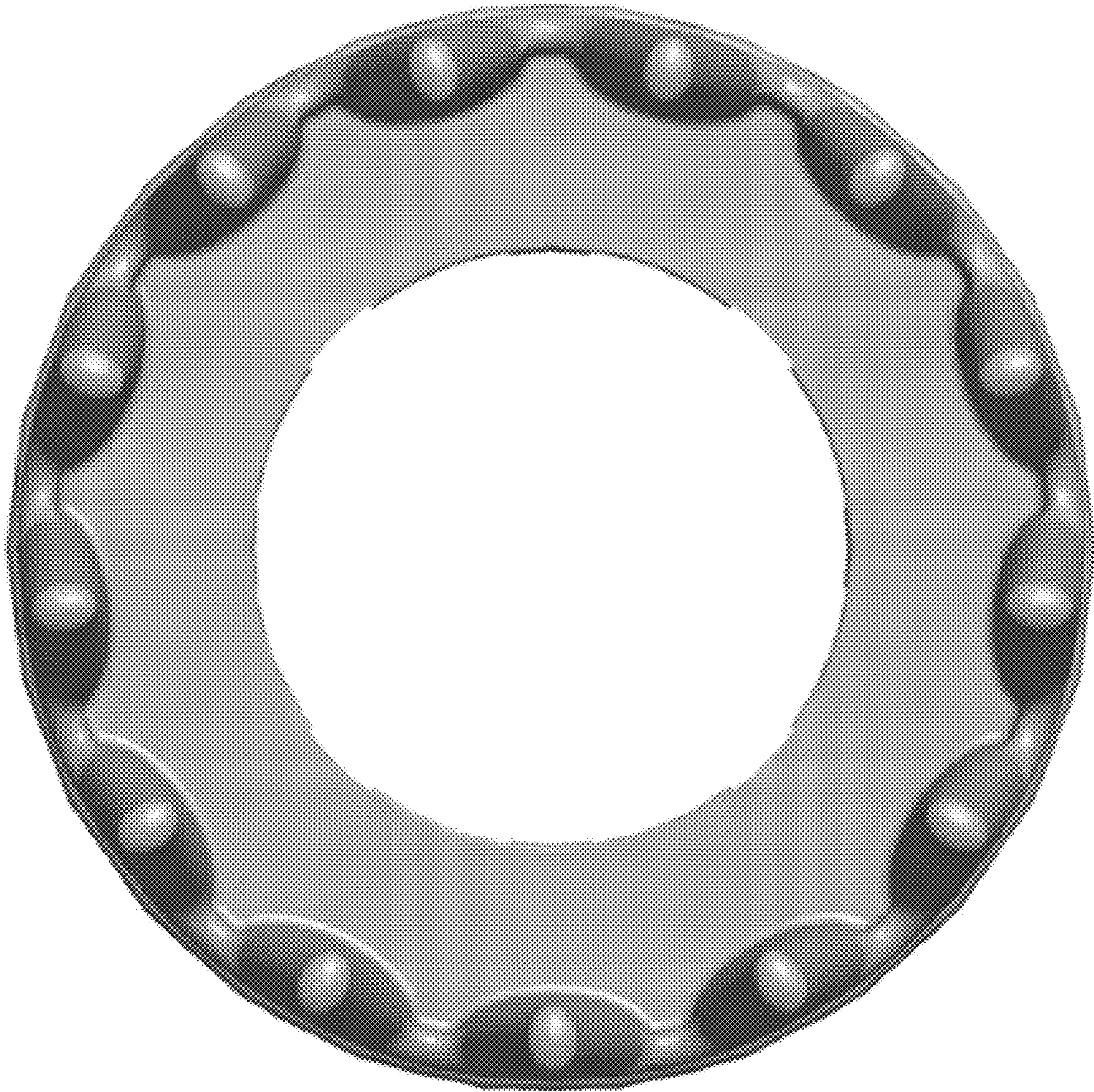
**1.4**



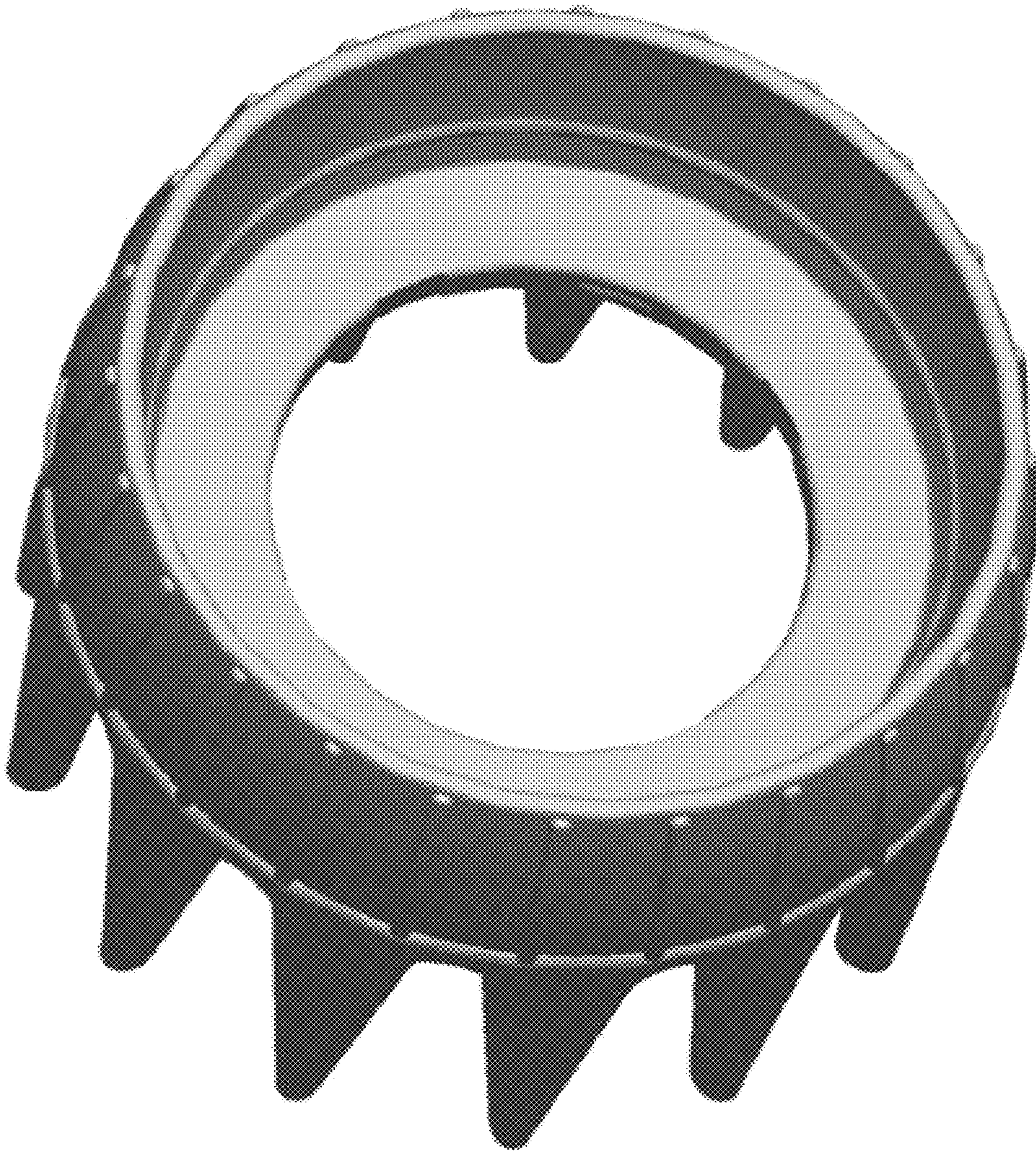
**1.5**



**1.6**



**1.7**





**1.8**

