



US00D825770S

(12) **United States Design Patent**  
**Siemer**

(10) **Patent No.:** **US D825,770 S**

(45) **Date of Patent:** **\*\* Aug. 14, 2018**

(54) **BACK PRESSURE POINT MASSAGE  
DEVICE**

(71) Applicant: **Douglas J. Siemer**, Jurupa Valley, CA  
(US)

(72) Inventor: **Douglas J. Siemer**, Jurupa Valley, CA  
(US)

(\*\*) Term: **15 Years**

(21) Appl. No.: **29/612,309**

(22) Filed: **Jul. 31, 2017**

(51) **LOC (11) Cl.** ..... **28-03**

(52) **U.S. Cl.**  
USPC ..... **D24/211**

(58) **Field of Classification Search**  
USPC ..... D24/200, 211, 212, 213, 214, 215;  
601/19, 22, 27-32, 46, 52, 99, 112, 113,  
601/118, 125, 143, DIG. 12, DIG. 14,  
601/DIG. 15, DIG. 16, DIG. 17; D8/367,  
D8/368, 369, 370  
CPC ..... A61H 1/0266; A61H 2015/0007; A61H  
2015/0014; A61H 2015/0042; A61H  
2015/0035; A61H 15/00; A61H 7/003;  
A61H 7/005; A61H 7/00; A61H  
2001/027; A61H 11/00; A61H 19/00;  
A61H 19/30; A61H 19/32; A61H 19/34;  
A61H 19/40; A61H 19/44; A61H 19/50;  
A61H 21/00

See application file for complete search history.

(56) **References Cited**

**U.S. PATENT DOCUMENTS**

2,836,175 A \* 5/1958 Nakayama ..... A61H 7/003  
601/135  
3,625,204 A \* 12/1971 Sekiguchi ..... A61H 7/003  
601/134  
3,645,257 A \* 2/1972 Nakayama ..... A61H 7/003  
601/135

3,831,592 A \* 8/1974 Lancellotti ..... A61H 39/04  
601/135  
4,210,134 A \* 7/1980 Okazaki ..... A61H 39/04  
5/421  
4,233,966 A \* 11/1980 Takahashi ..... A61H 39/04  
601/134  
D262,908 S \* 2/1982 Pesco ..... D24/211  
4,421,110 A \* 12/1983 DeLisle ..... A61H 7/001  
601/134  
D286,182 S \* 10/1986 Hilman ..... D24/211  
4,944,747 A \* 7/1990 Newth ..... A61H 7/001  
601/135  
5,056,507 A \* 10/1991 Yum ..... A61H 7/001  
601/136  
5,080,090 A \* 1/1992 Liao ..... A61H 7/001  
601/134  
5,096,188 A \* 3/1992 Shen ..... A61H 7/001  
482/51

D326,721 S 6/1992 Ujifusa et al.  
(Continued)

*Primary Examiner* — Sandra Snapp

(74) *Attorney, Agent, or Firm* — Kirk A. Buhler; Buhler  
& Associates

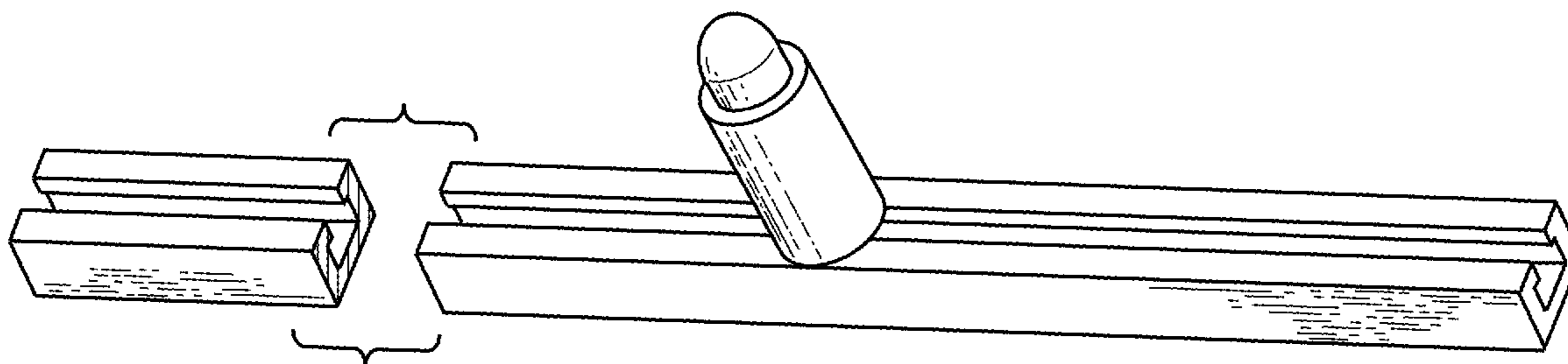
(57) **CLAIM**

The ornamental design for a back pressure point massage  
device, as shown and described.

**DESCRIPTION**

FIG. 1 is a top perspective view of a back pressure point  
massage device showing my new design;  
FIG. 2 is a front elevation view thereof;  
FIG. 3 is a top plan view thereof;  
FIG. 4 is a rear elevation view thereof;  
FIG. 5 is a bottom plan thereof;  
FIG. 6 is a left side elevation view thereof; and,  
FIG. 7 is a right side exploded elevation view thereof.  
The claimed design is shown with a symbolic break in its  
length, the appearance of any portion of the article between  
the break lines forms no part of the claimed design.

**1 Claim, 4 Drawing Sheets**



(56)

References Cited

U.S. PATENT DOCUMENTS

D346,866 S	5/1994	Lotuaco		D447,810 S	9/2001	Hannah	
5,405,311 A *	4/1995	Pecora .....	A61H 7/001	D463,029 S *	9/2002	Collins .....	D24/211
			601/133	6,632,187 B2 *	10/2003	Bak .....	A61H 7/001
D359,358 S *	6/1995	Pecora .....	D24/211				601/134
5,820,573 A *	10/1998	Ramos .....	A61H 7/001	6,821,260 B2 *	11/2004	Fors .....	A61H 7/00
			601/134				601/115
D402,764 S	12/1998	Chatfield		7,320,668 B1 *	1/2008	Warder .....	A61H 7/001
5,843,005 A *	12/1998	Chubinsky .....	A61H 7/003				601/136
			601/15	7,458,945 B2 *	12/2008	Zemont .....	A61H 15/0092
5,899,868 A *	5/1999	VandeBerg .....	A61H 33/6089				601/131
			601/134	D586,470 S *	2/2009	Warder .....	D24/211
5,935,090 A *	8/1999	Kennon .....	A61H 15/0092	7,762,966 B1 *	7/2010	Gaines .....	A61H 15/0078
			601/118				601/128
D413,985 S *	9/1999	Martin .....	D24/211	D701,613 S *	3/2014	Twiggs .....	D24/215
6,013,042 A *	1/2000	Sakai .....	A61H 7/001	8,808,208 B2 *	8/2014	Mouatt .....	A61H 7/001
			5/648				482/131
6,217,121 B1 *	4/2001	Mollet .....	A47C 23/002	2002/0049469 A1 *	4/2002	Chang .....	A43B 7/146
			297/452.21				606/204

\* cited by examiner

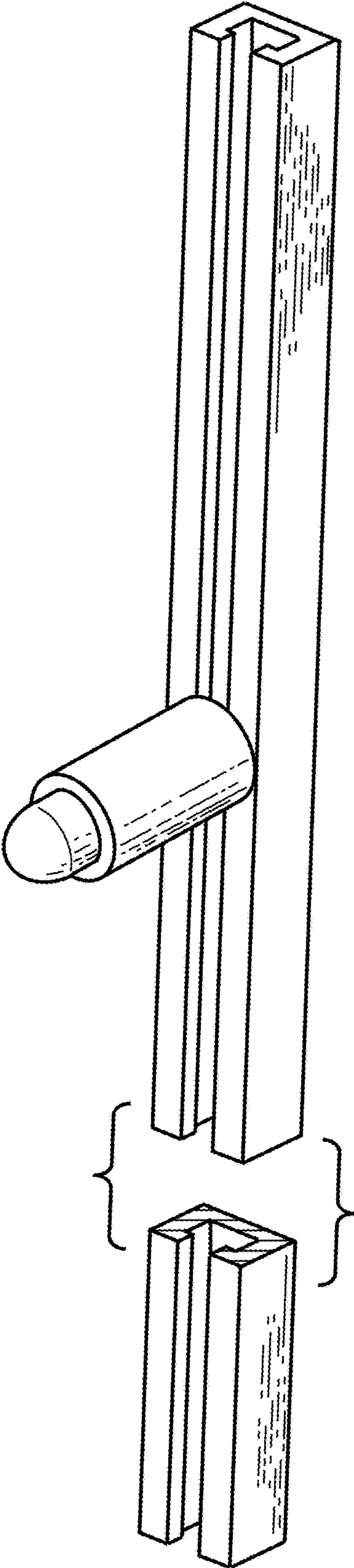
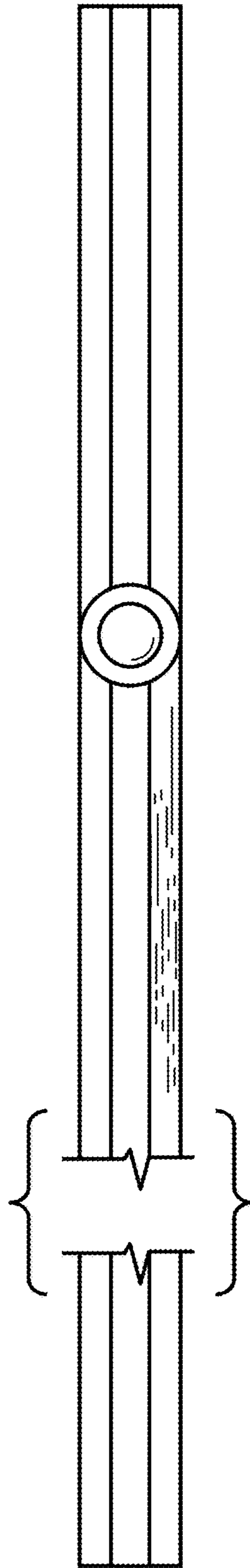
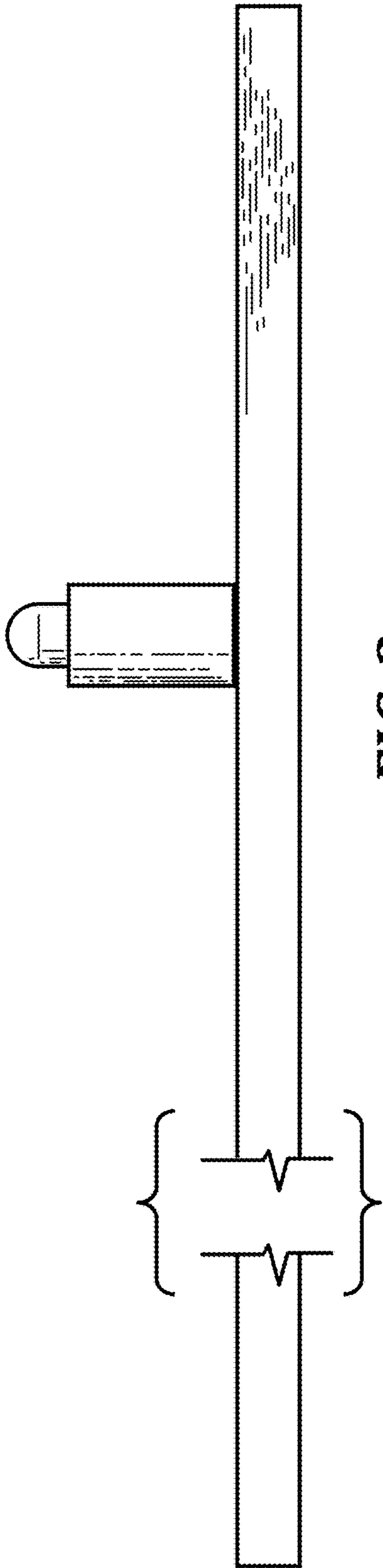


FIG 1



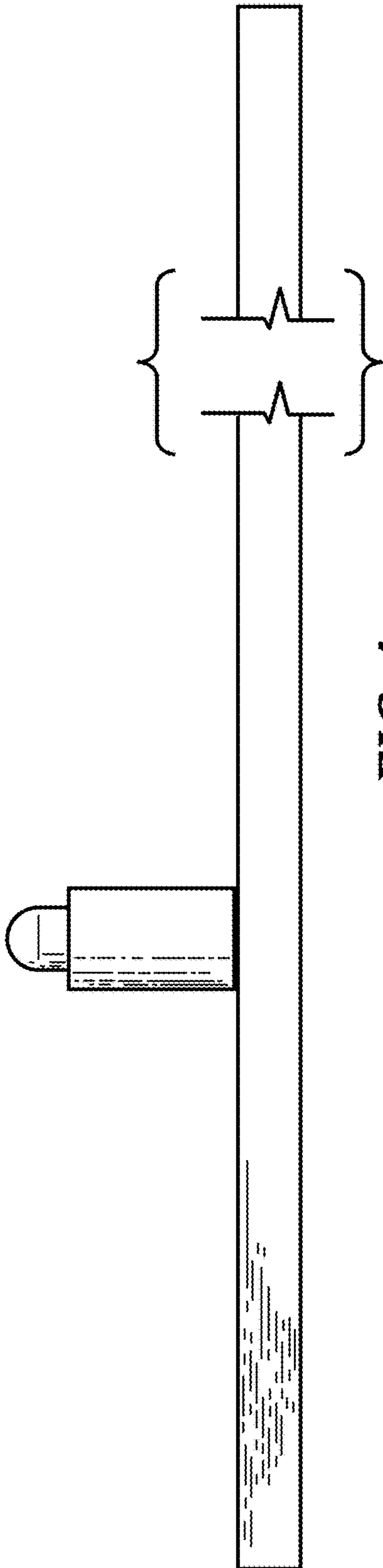


FIG 4

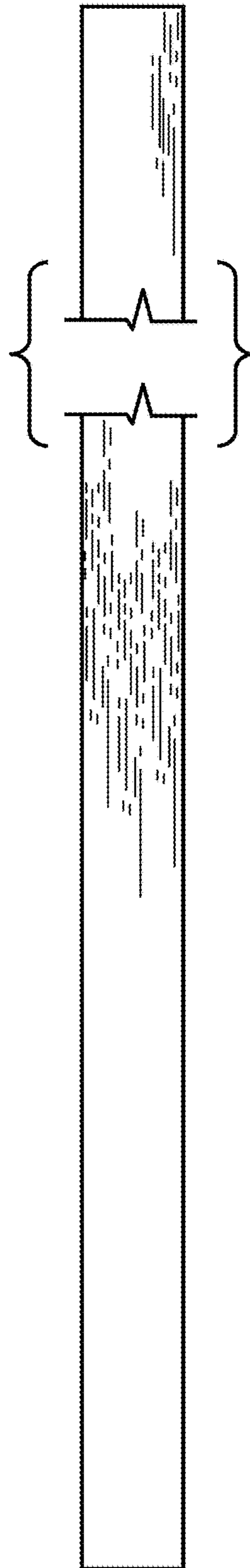
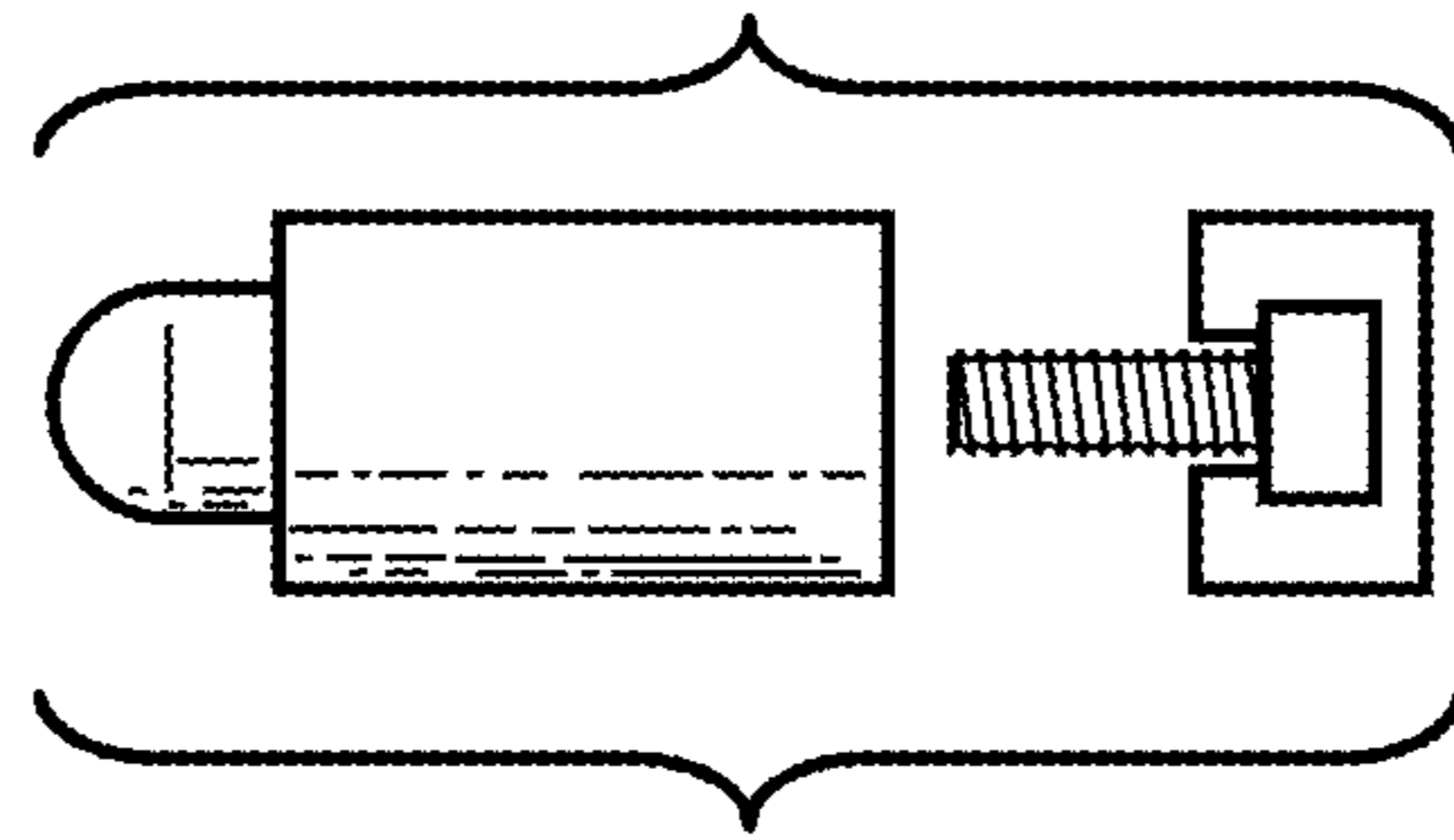
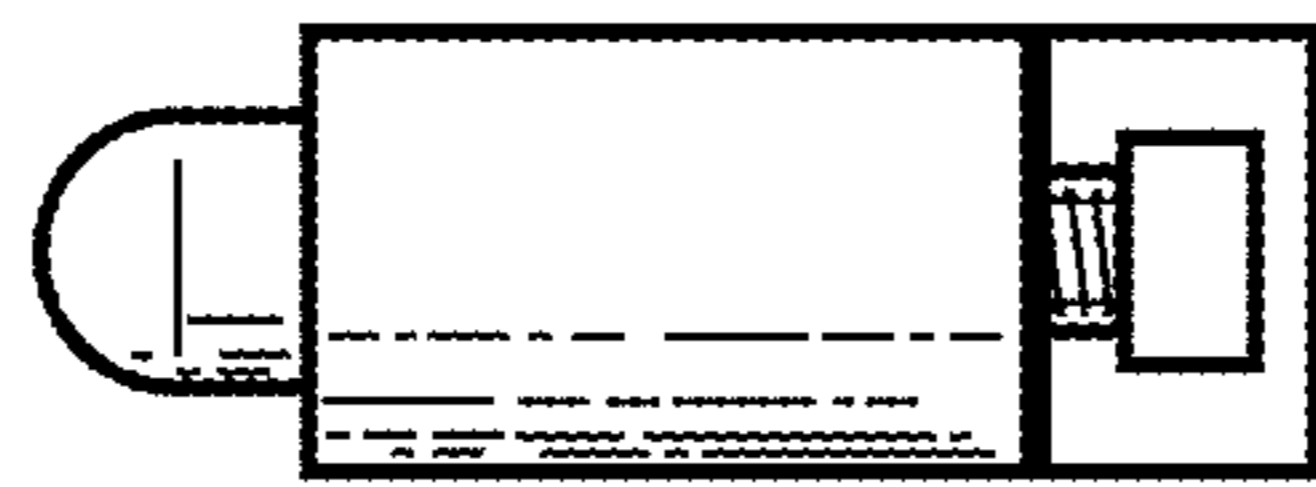


FIG 5



**FIG 7**



**FIG 6**