



US00D825767S

(12) **United States Design Patent**
Kruchem

(10) **Patent No.:** **US D825,767 S**

(45) **Date of Patent:** **** Aug. 14, 2018**

(54) **ORTHOSIS**

(71) Applicant: **OTTO BOCK HEALTHCARE GMBH**, Duderstadt (DE)

(72) Inventor: **Tim Kruchem**, Gottingen (DE)

(73) Assignee: **OTTO BOCK HEALTHCARE GMBH**, Duderstadt (DE)

(**) Term: **15 Years**

(21) Appl. No.: **29/582,872**

(22) Filed: **Oct. 31, 2016**

(30) **Foreign Application Priority Data**

Apr. 29, 2016 (EM) 003101500

(51) **LOC (11) Cl.** **24-02**

(52) **U.S. Cl.**
USPC **D24/192**

(58) **Field of Classification Search**

USPC D24/189, 190, 191, 192; 602/7, 16, 23,
602/27, 28, 56, 60, 61, 62, 65, 66;

D29/120.1, 121.2

CPC A61F 5/0106; A61F 5/0118; A61F 5/0104;
A61F 5/0109; A61F 5/0111; A61F

5/0102; A61F 5/0123; A61F 5/05841;
A61F 2005/0146; A61F 2005/0165; A61F

5/0127

See application file for complete search history.

(56) **References Cited**

U.S. PATENT DOCUMENTS

D457,639 S * 5/2002 McCoy D24/192

D583,062 S * 12/2008 Nace D24/192

D732,176 S * 6/2015 Wagner D24/192
D735,872 S * 8/2015 Ljubimir D24/192
D779,078 S * 2/2017 Drewitz D24/192
D787,076 S * 5/2017 Siddiqui D24/190
D801,540 S * 10/2017 Yang D24/190
2006/0264795 A1* 11/2006 Christensen A61F 5/0111
602/27
2008/0300525 A1* 12/2008 Shlomovitz A61F 5/0111
602/28
2009/0198166 A1* 8/2009 Shlomovitz A61F 5/0111
602/28

* cited by examiner

Primary Examiner — Cathron C Brooks

Assistant Examiner — Samantha Q. Lawrence

(74) *Attorney, Agent, or Firm* — Holland & Hart

(57) **CLAIM**

The ornamental design for an orthosis, as shown and described.

DESCRIPTION

FIG. 1 is a perspective view of an orthosis according to the present invention;

FIG. 2 is a right side view thereof;

FIG. 3 is a left side view thereof;

FIG. 4 is a front view thereof;

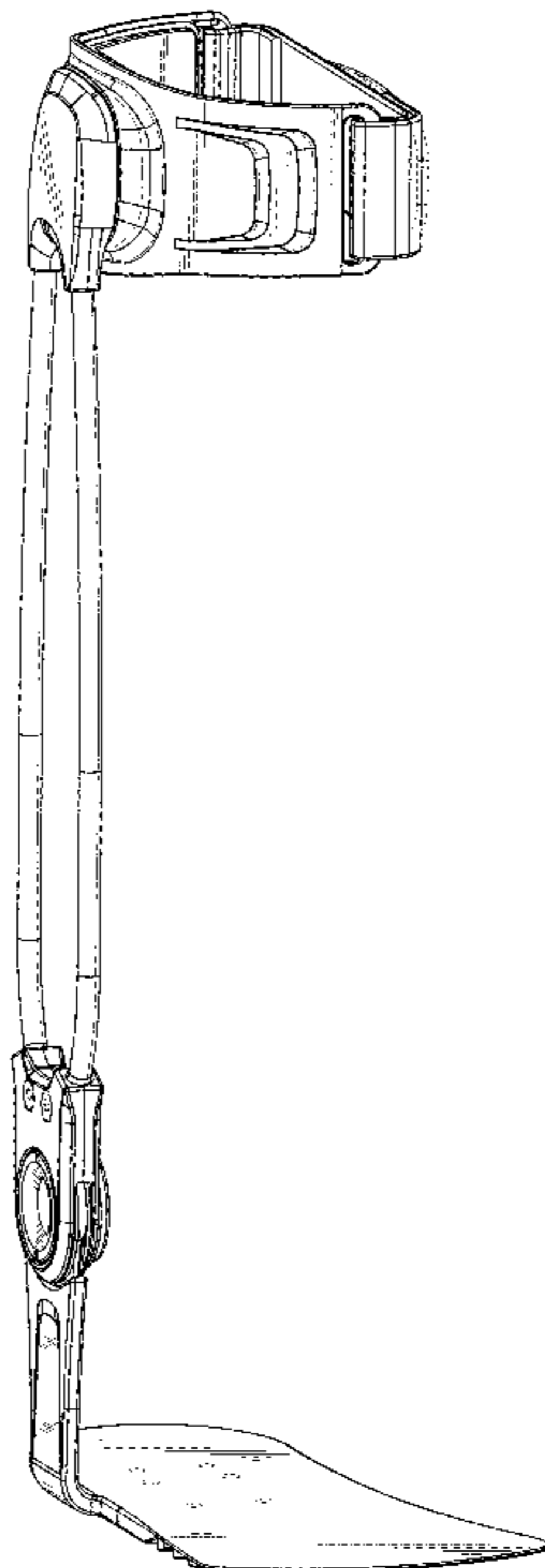
FIG. 5 is a rear view thereof;

FIG. 6 is a top view thereof; and,

FIG. 7 is a bottom view thereof.

The broken lines shown in FIGS. 1, 3, 6, and 7 illustrate portions of the orthosis that form no part of the claimed design.

1 Claim, 7 Drawing Sheets



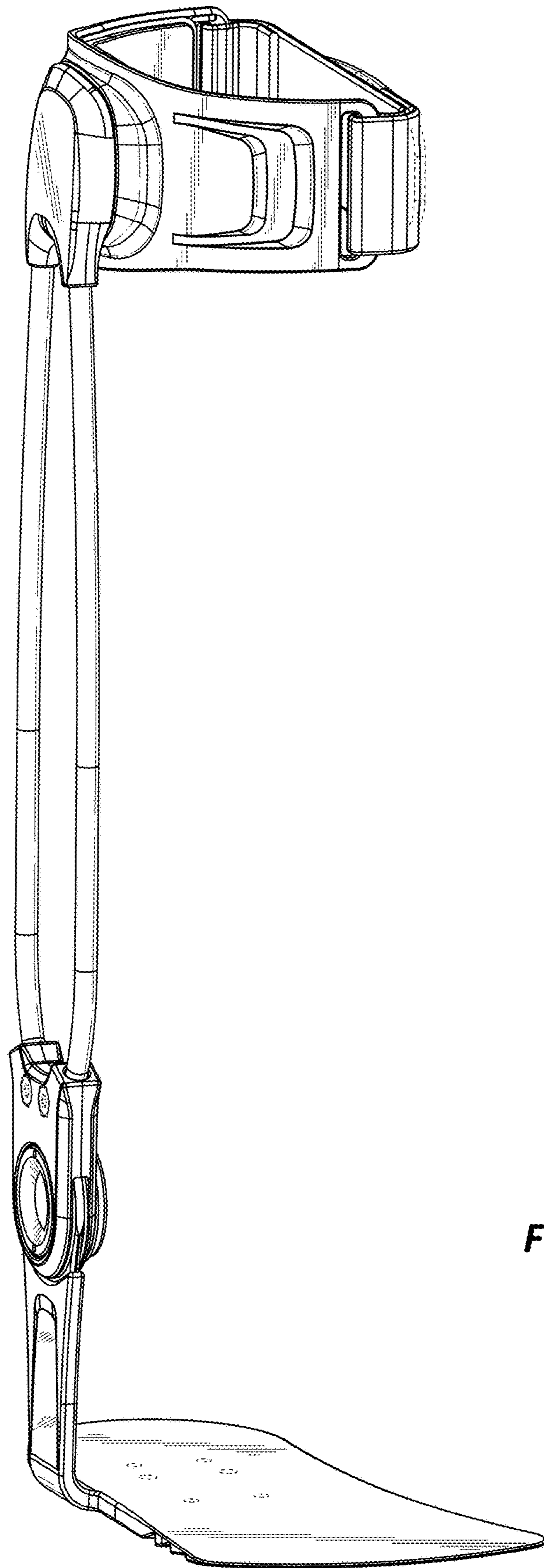


FIG. 1

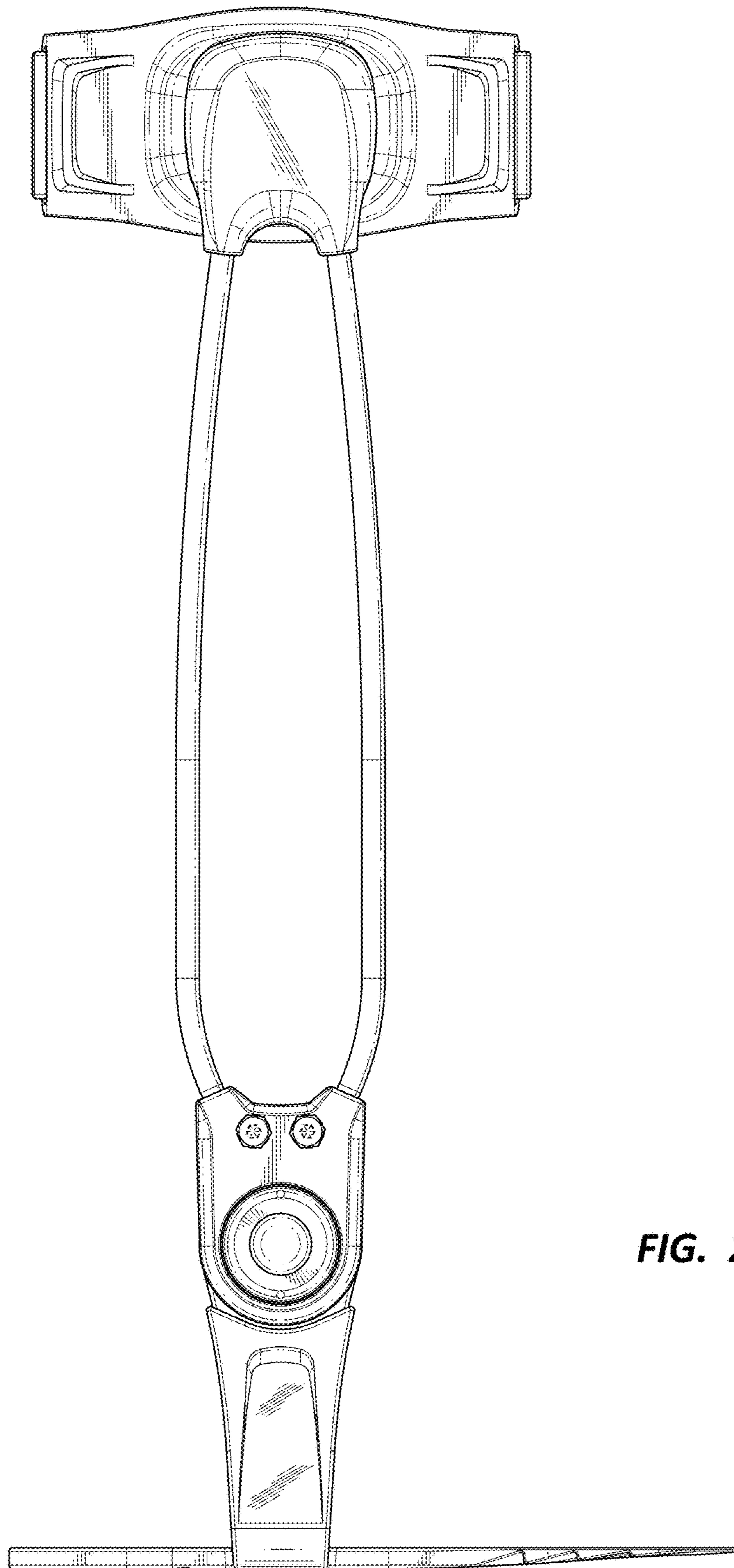


FIG. 2

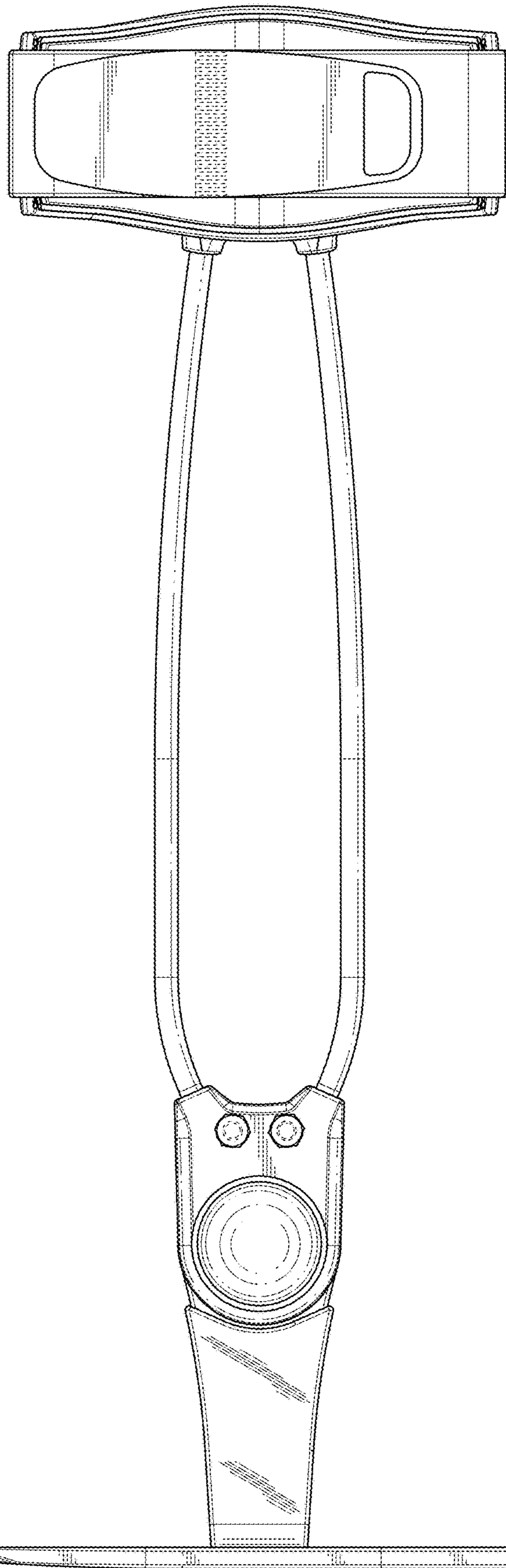


FIG. 3

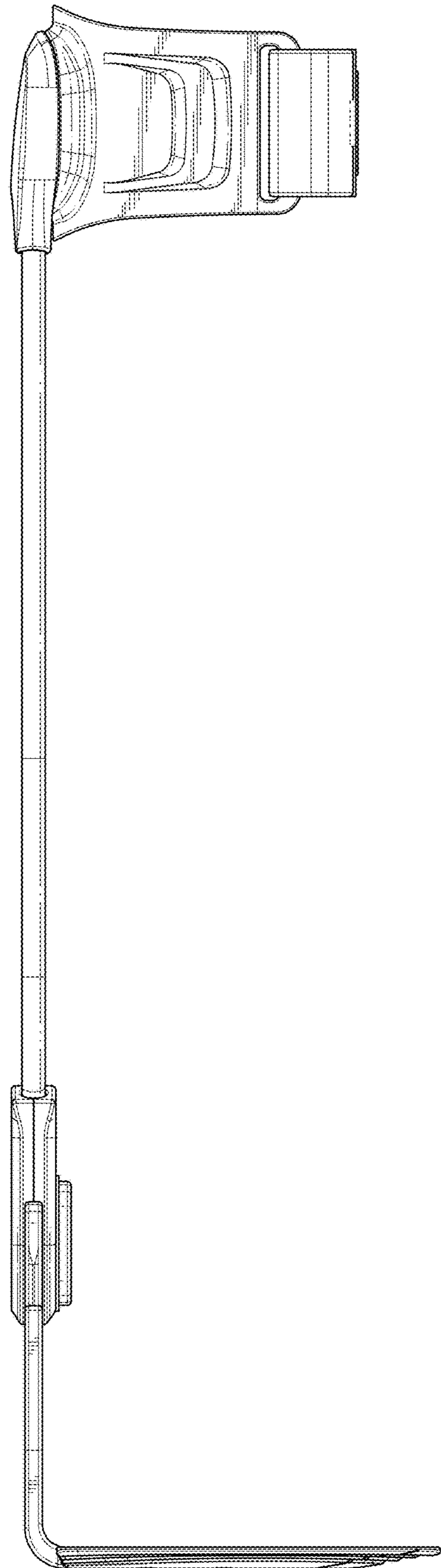


FIG. 4

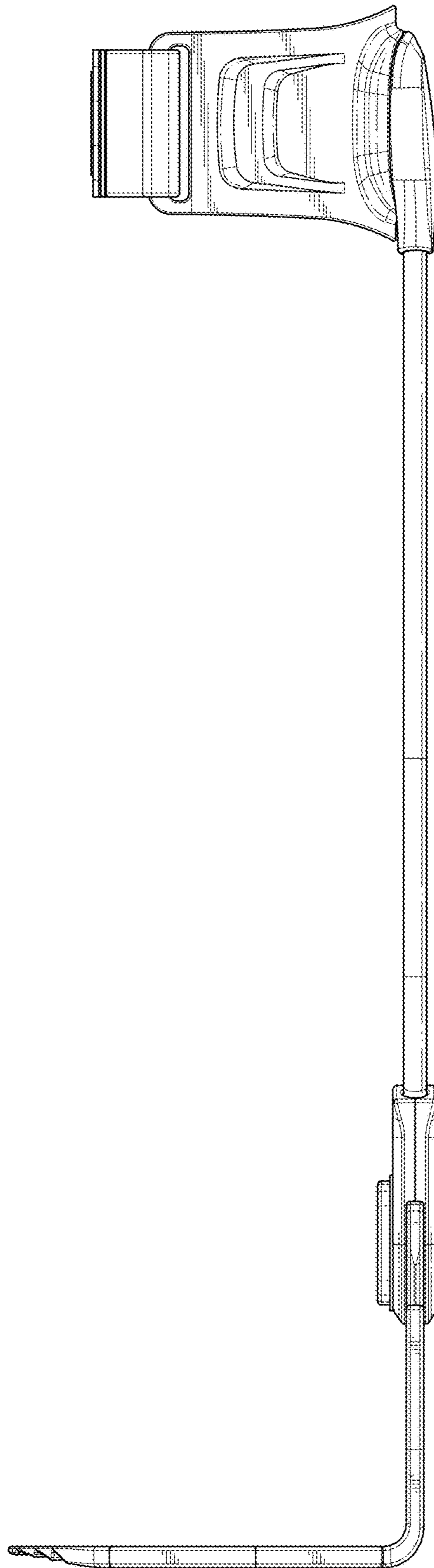


FIG. 5

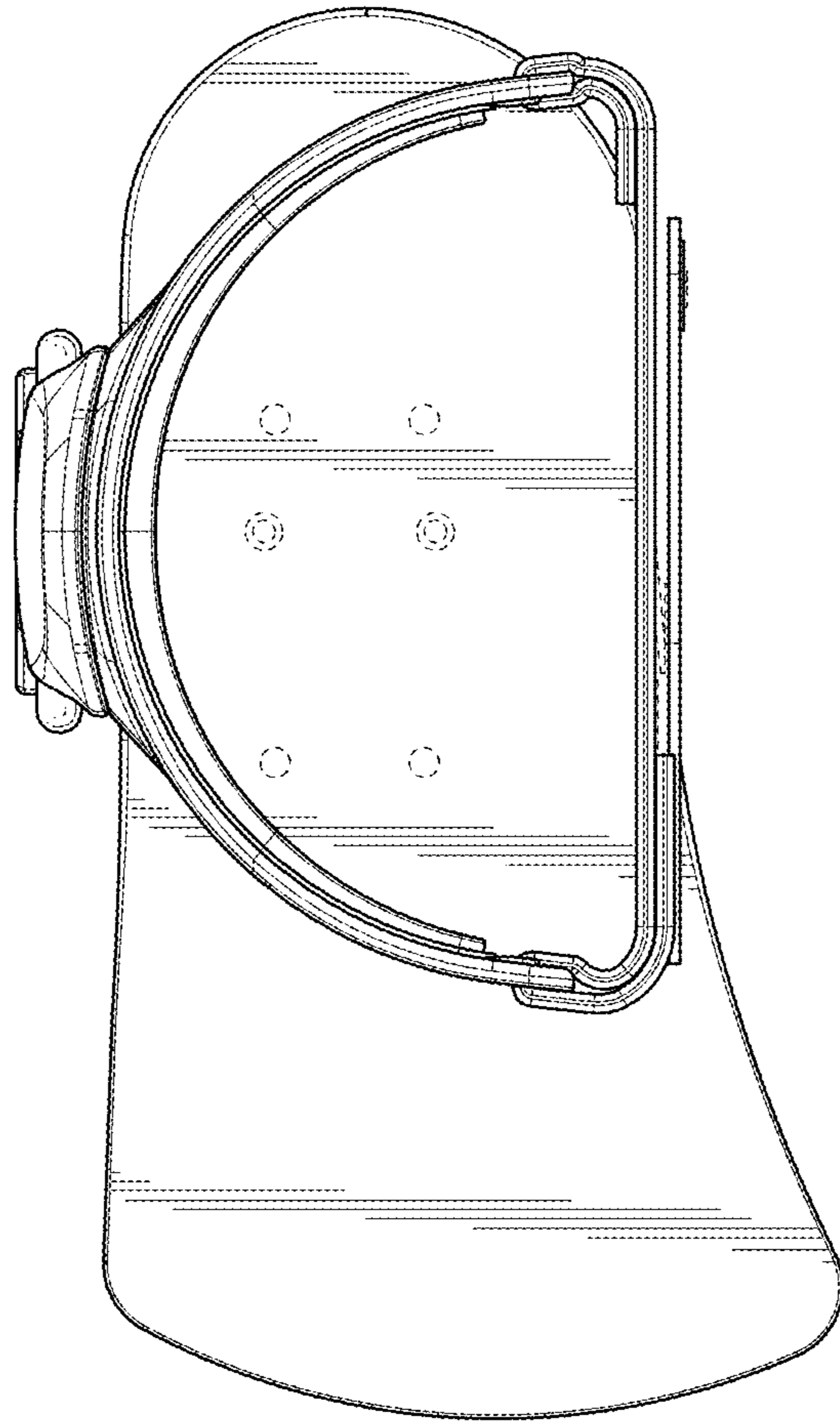


FIG. 6

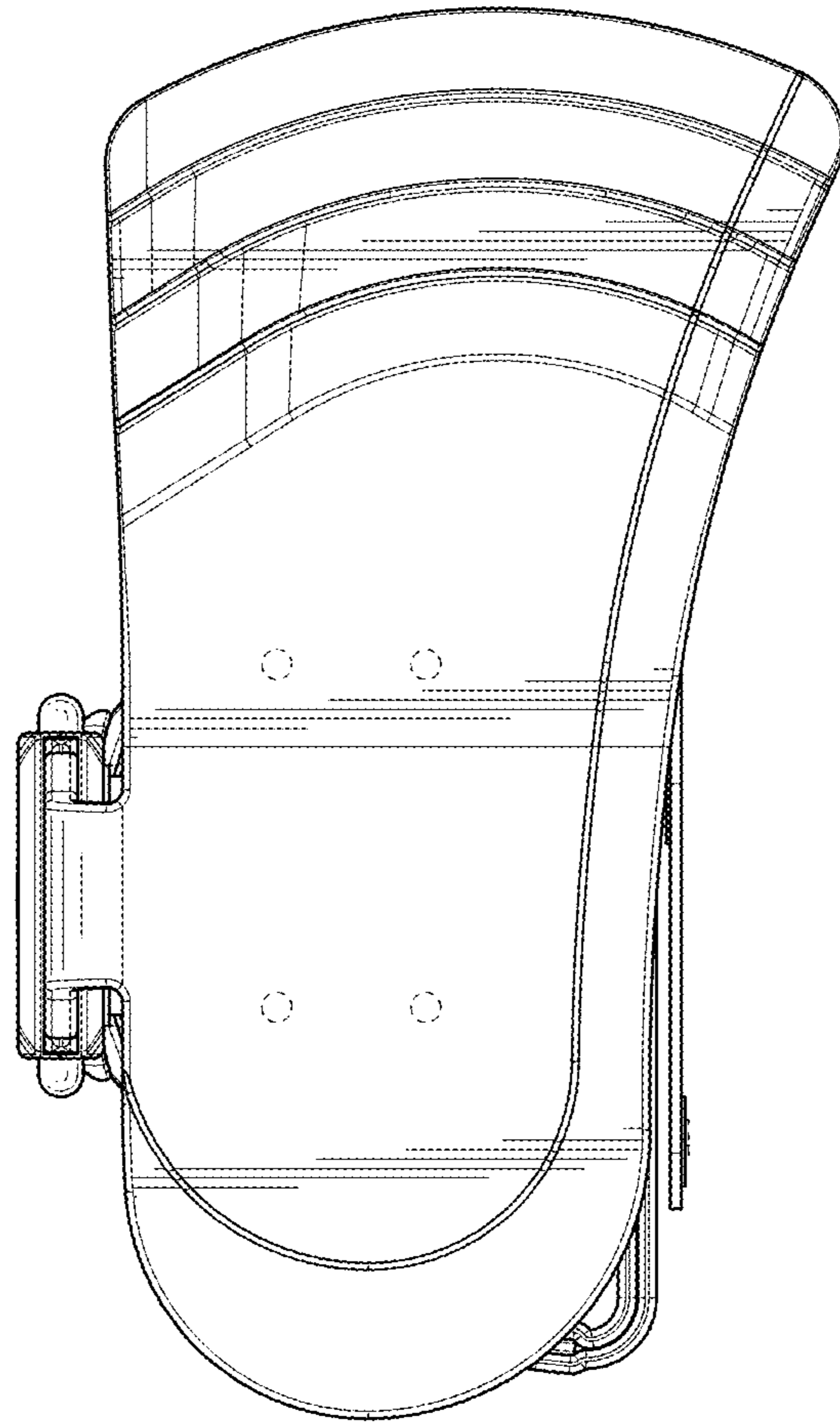


FIG. 7