



US00D825763S

(12) **United States Design Patent**  
**Lim et al.**

(10) **Patent No.:** **US D825,763 S**  
(45) **Date of Patent:** **\*\* Aug. 14, 2018**

(54) **ULTRASOUND DIAGNOSTIC UNIT**

(71) Applicant: **SAMSUNG MEDISON CO., LTD.**,  
Hongcheon-gun (KR)

(72) Inventors: **Sungwon Lim**, Pajusi (KR);  
**Cheonseop Shin**, Sungnamsi (KR);  
**Junpil Moon**, Seoul (KR); **Ui Kim**,  
Seoul (KR)

(73) Assignee: **SAMSUNG MEDISON CO., LTD.**,  
Hongcheon-gun (KR)

(\*\*) Term: **15 Years**

(21) Appl. No.: **29/589,581**

(22) Filed: **Jan. 3, 2017**

(30) **Foreign Application Priority Data**

Nov. 22, 2016 (KR) ..... 30-2016-0056113

(51) **LOC (11) Cl.** ..... **24-01**

(52) **U.S. Cl.**  
USPC ..... **D24/160**

(58) **Field of Classification Search**  
USPC ..... D24/107, 158-160, 185, 186, 231  
CPC ... A61B 6/4405; A61B 6/4411; A61B 6/4435;  
A61B 6/4441; A61B 6/4447; A61B  
8/4405; A61B 8/4411; A61B 8/4427;  
A61B 8/462; A61B 8/0437; A61B 8/0883  
See application file for complete search history.

(56) **References Cited**

**U.S. PATENT DOCUMENTS**

D558,350 S \* 12/2007 Kitayama ..... D24/186  
D560,807 S \* 1/2008 Kitayama ..... D24/158

D662,208 S \* 6/2012 Otoha ..... D24/185  
D707,359 S \* 6/2014 Kim ..... D24/185  
D707,360 S \* 6/2014 Kim ..... D24/185  
D711,539 S \* 8/2014 Hunt ..... D24/158  
D743,558 S \* 11/2015 Kim ..... D24/158  
2007/0232907 A1\* 10/2007 Pelissier ..... A61B 8/00  
600/437  
2010/0191122 A1\* 7/2010 Asai ..... A61B 8/14  
600/459  
2013/0165790 A1\* 6/2013 Kim ..... A61B 8/4411  
600/443  
2016/0135916 A1\* 5/2016 Rakic ..... A61B 8/4218  
601/2

\* cited by examiner

*Primary Examiner* — Anhdao Doan

(74) *Attorney, Agent, or Firm* — Ladas & Parry LLP

(57) **CLAIM**

We claim the ornamental design for an ultrasound diagnostic unit, as shown and described.

**DESCRIPTION**

FIG. 1 is the front perspective view of an ultrasound diagnostic unit showing our new design;  
FIG. 2 is the front view thereof;  
FIG. 3 is the rear view thereof;  
FIG. 4 is the left-side view thereof;  
FIG. 5 is the right-side view thereof;  
FIG. 6 is the top view thereof; and,  
FIG. 7 is the bottom view thereof.  
The broken lines depict portions of an ultrasound diagnostic unit that form no part of the claimed design.

**1 Claim, 7 Drawing Sheets**

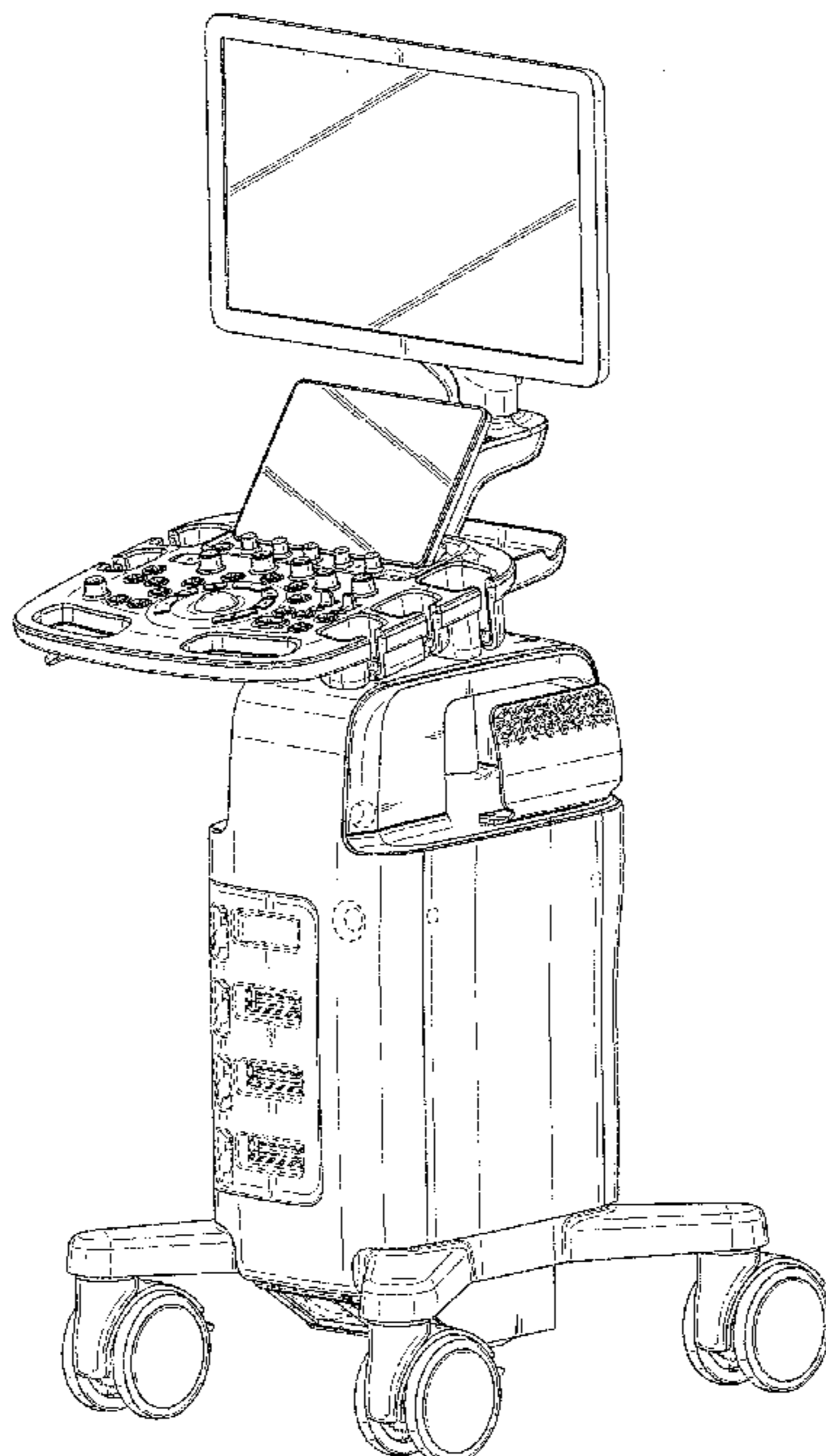


FIG. 1

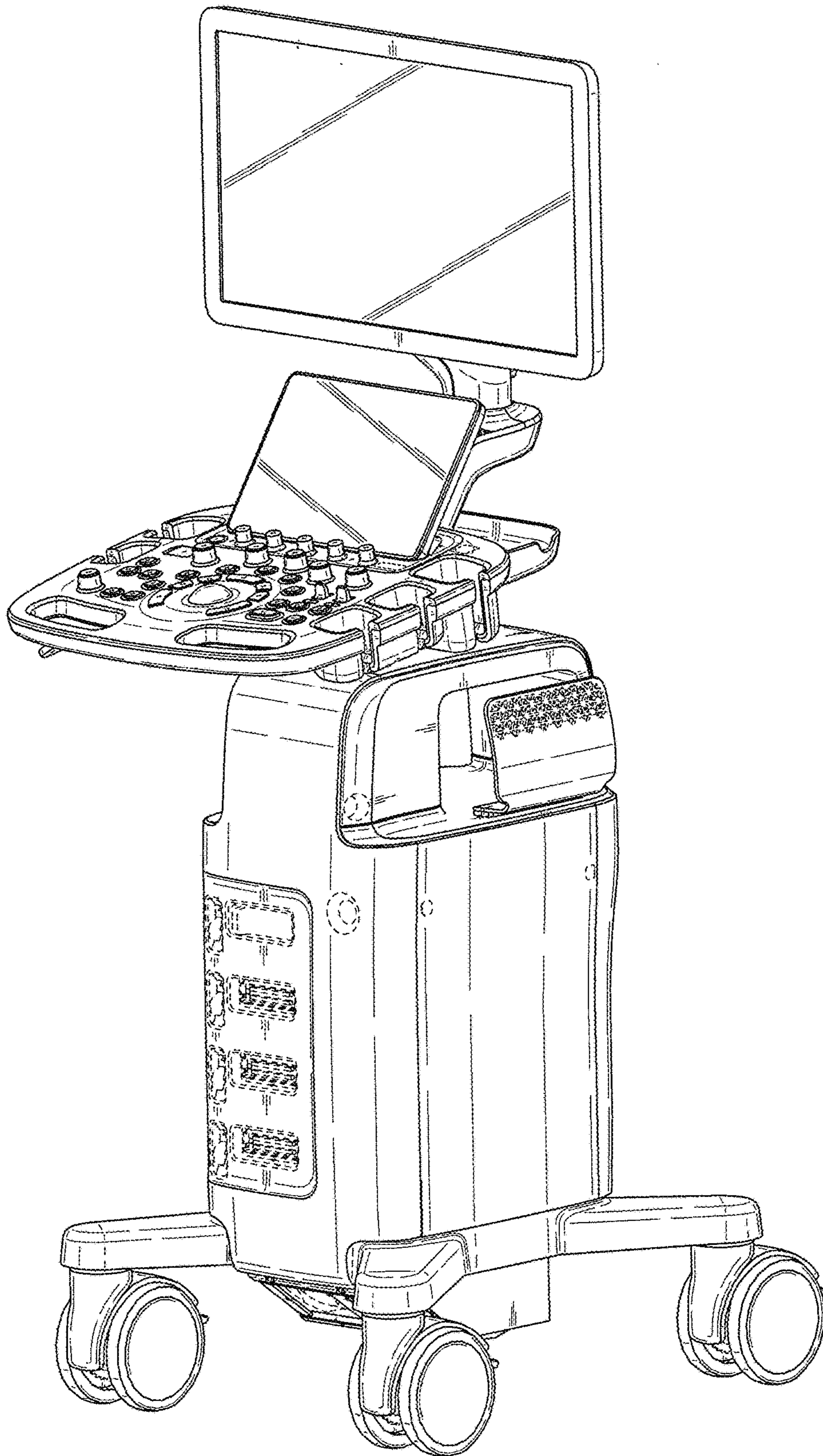


FIG. 2

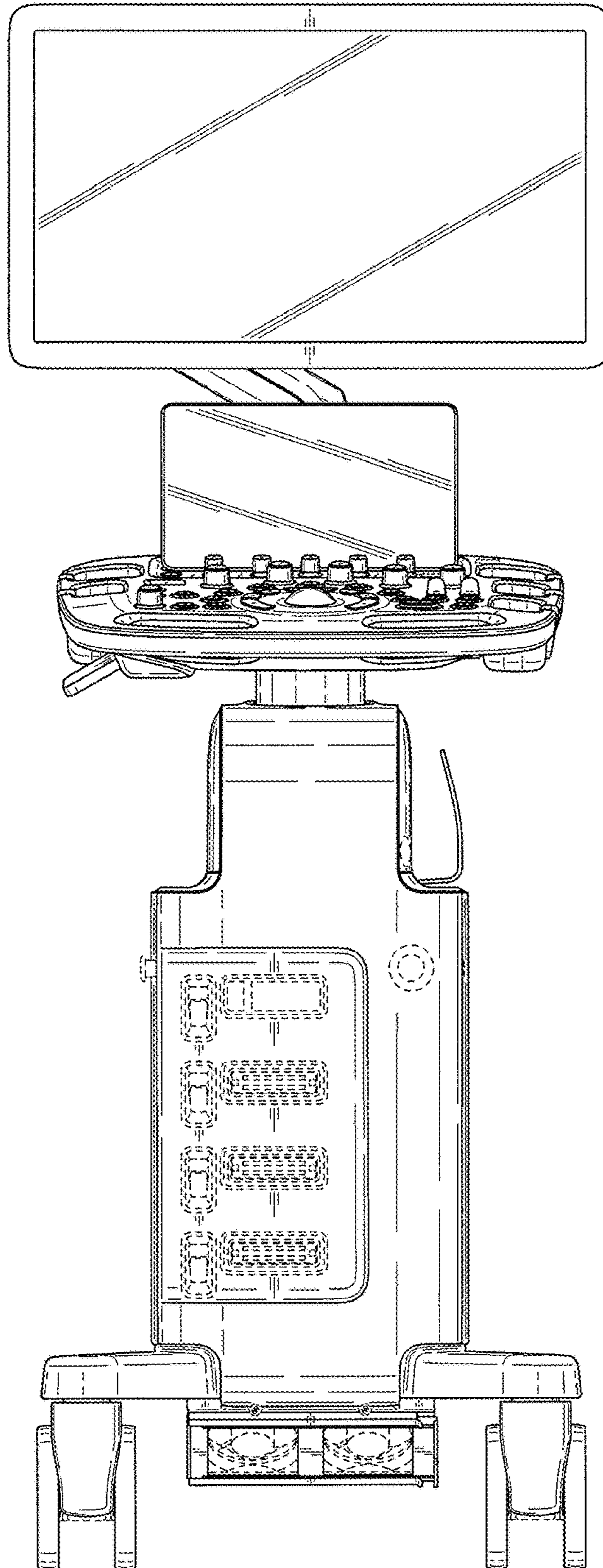


FIG. 3

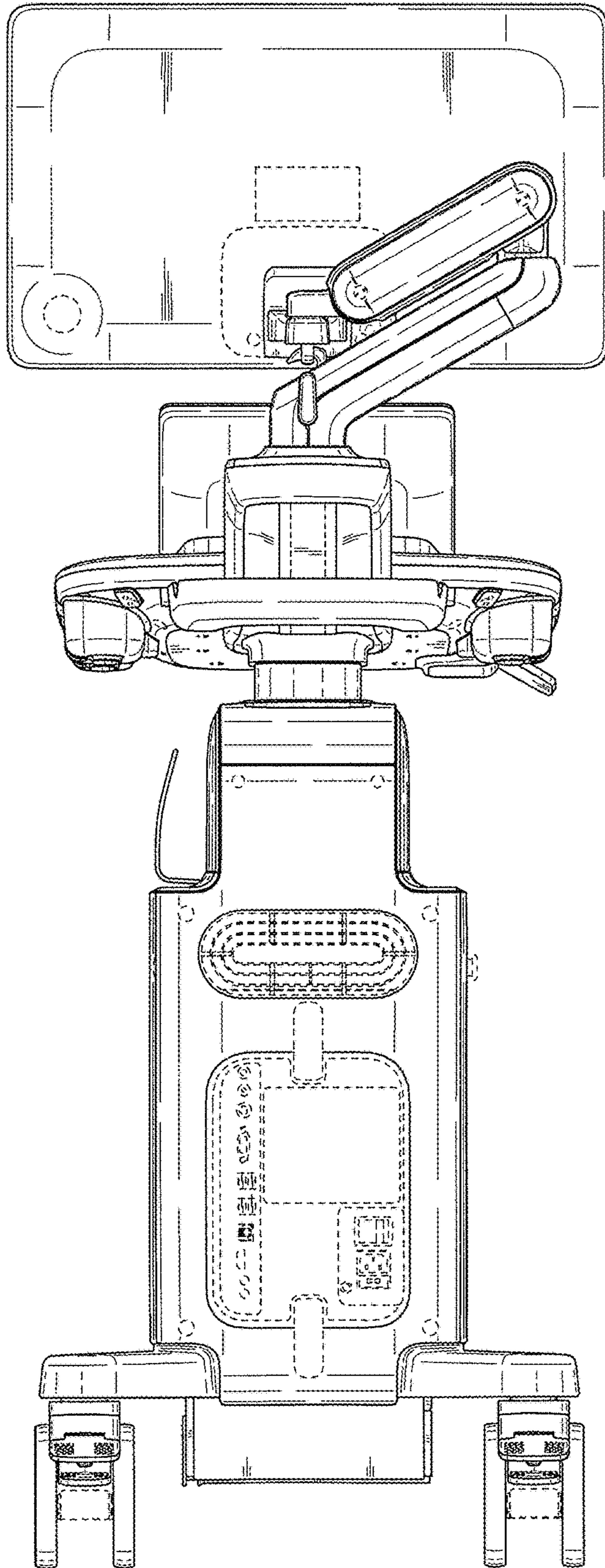


FIG. 4

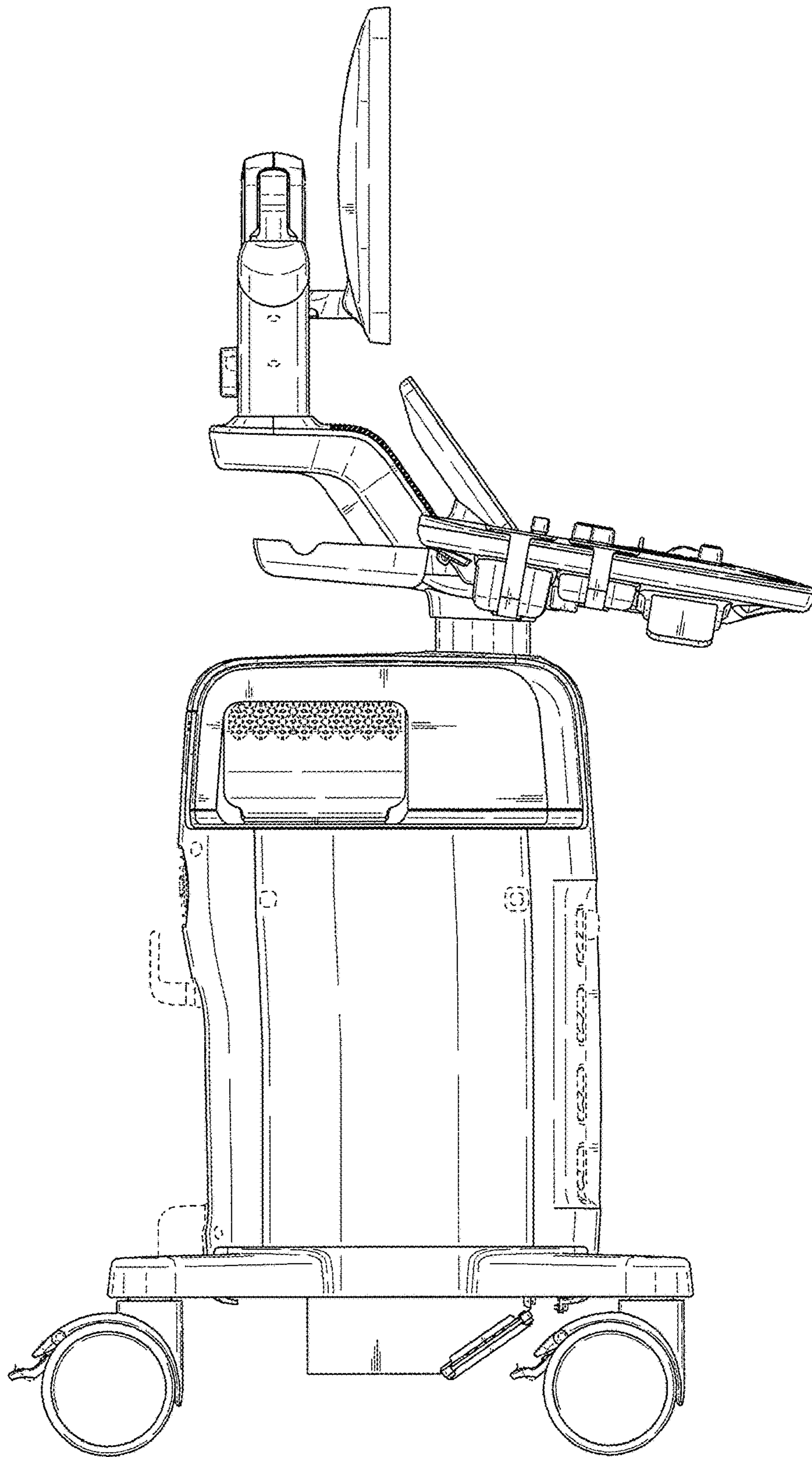


FIG. 5

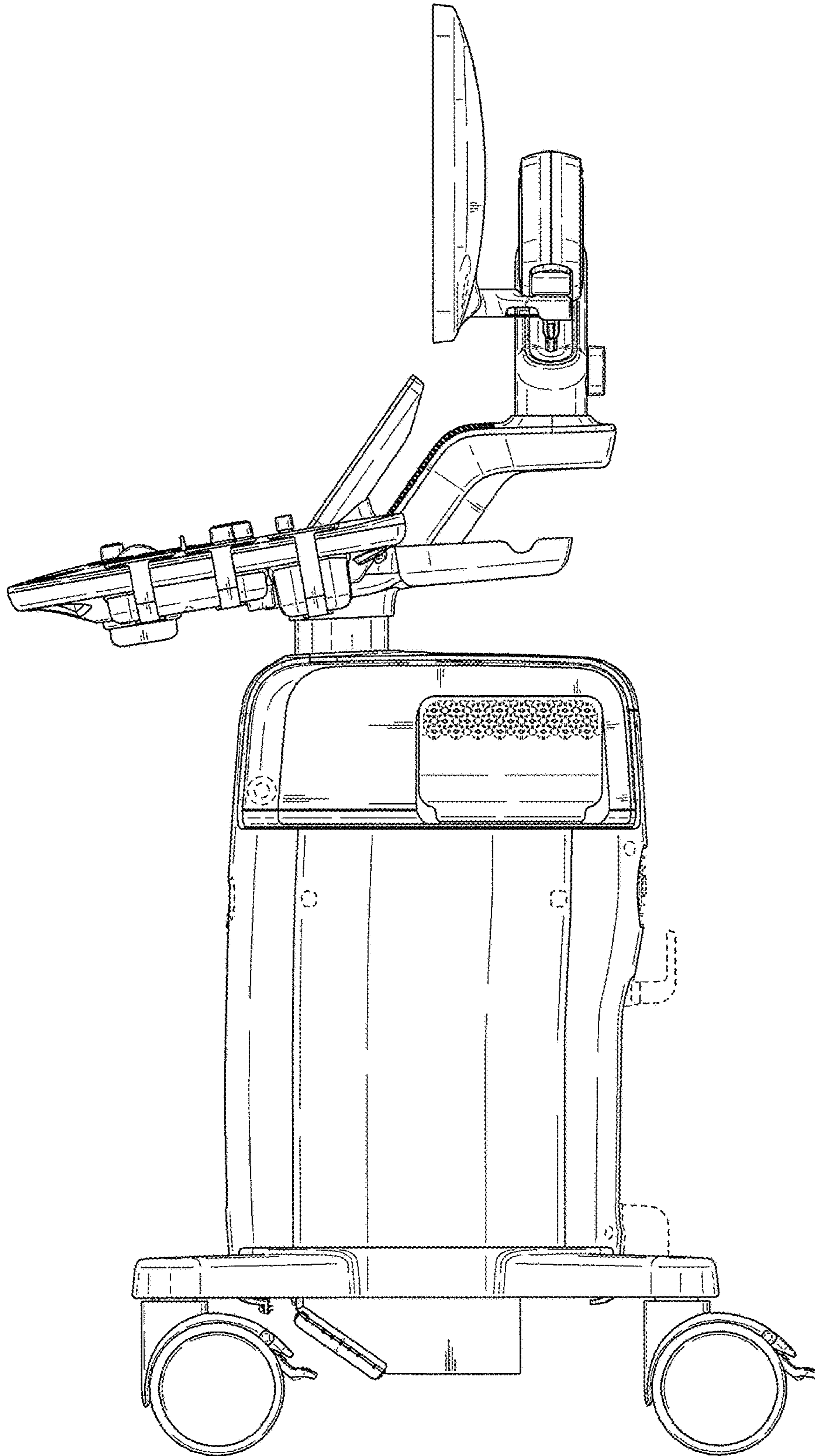


FIG. 6

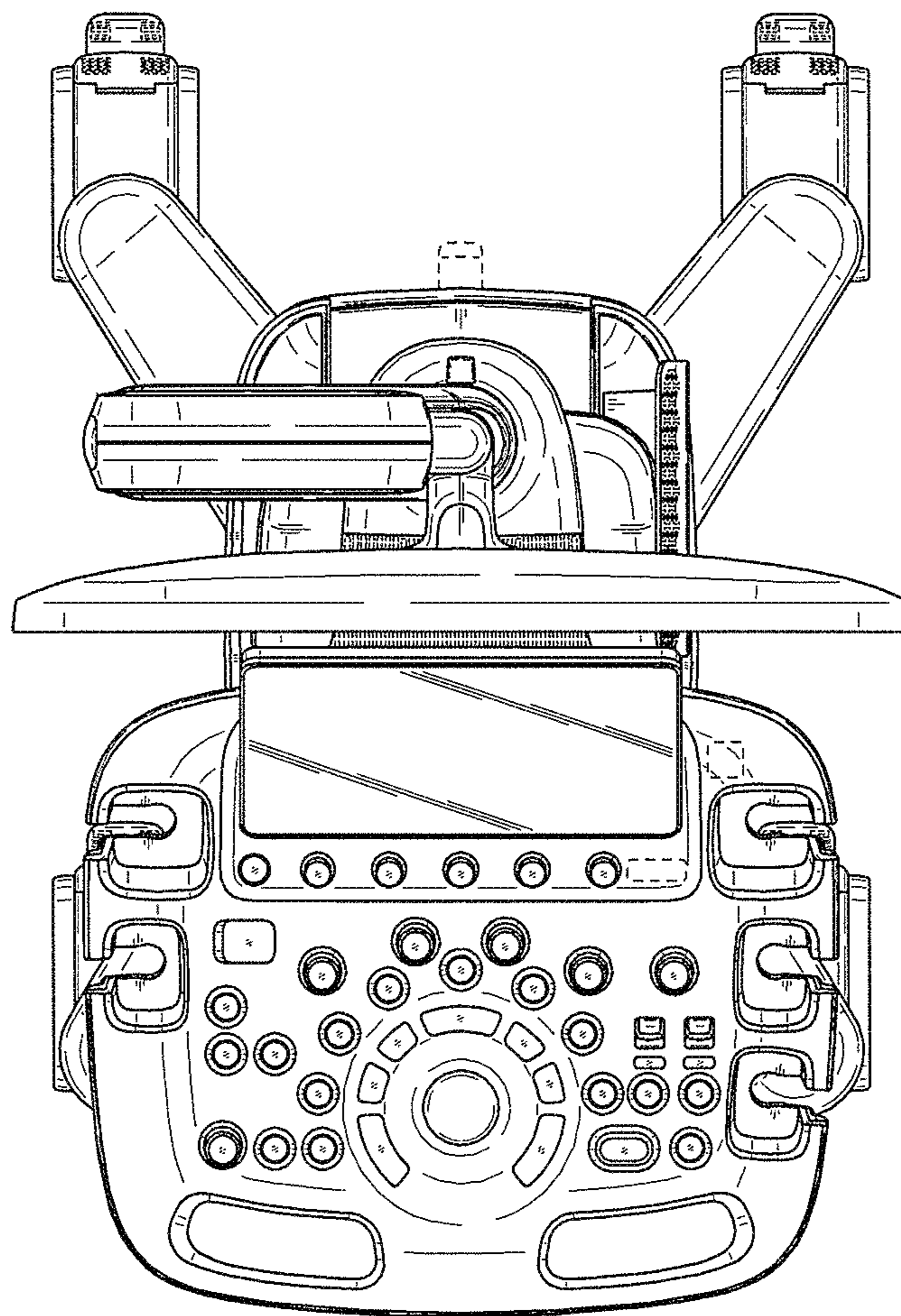


FIG. 7

