



US00D825762S

(12) **United States Design Patent** (10) **Patent No.:** **US D825,762 S**
Ballsieper (45) **Date of Patent:** **** Aug. 14, 2018**

- (54) **X-RAY SHIELD**
- (71) Applicant: **Mavig GmbH**, München (DE)
- (72) Inventor: **Barbara Ballsieper**, München (DE)
- (73) Assignee: **Mavig GmbH**, München (DE)
- (**) Term: **15 Years**

D300,945 S	5/1989	Fleming et al.
4,923,162 A	5/1990	Fleming
D310,905 S	10/1990	Marchione
D349,577 S	8/1994	Sayles
D424,198 S	5/2000	Shepherd et al.
6,703,632 B1	3/2004	Macklis
6,779,767 B2 *	8/2004	Kuhn F16M 11/08
		248/276.1

(Continued)

- (21) Appl. No.: **29/628,919**
- (22) Filed: **Dec. 8, 2017**

FOREIGN PATENT DOCUMENTS

CN	201375521 Y	1/2010
JP	2000-166916 A	6/2000
KR	10-2012-0084574 A	7/2012

Related U.S. Application Data

- (62) Division of application No. 29/561,676, filed on Apr. 19, 2016, now Pat. No. Des. 810,943.
- (51) **LOC (11) Cl.** **24-01**
- (52) **U.S. Cl.**
USPC **D24/158**
- (58) **Field of Classification Search**
USPC D24/107, 158-161, 185, 186, 187, 231;
D29/100, 104-107
CPC .. A61B 6/107; G21F 3/00; G21F 3/02; G21Y
2002/501; A61N 2005/1094
See application file for complete search history.

OTHER PUBLICATIONS

Radiation Protection Shields & Drapes of the company Radpad, USA (www.radpad.com), 3 pages.

(Continued)

Primary Examiner — Anhdao Doan
(74) *Attorney, Agent, or Firm* — Nixon & Vanderhye P.C.

(57) **CLAIM**

The ornamental design for an X-ray shield, as shown and described.

(56) **References Cited**

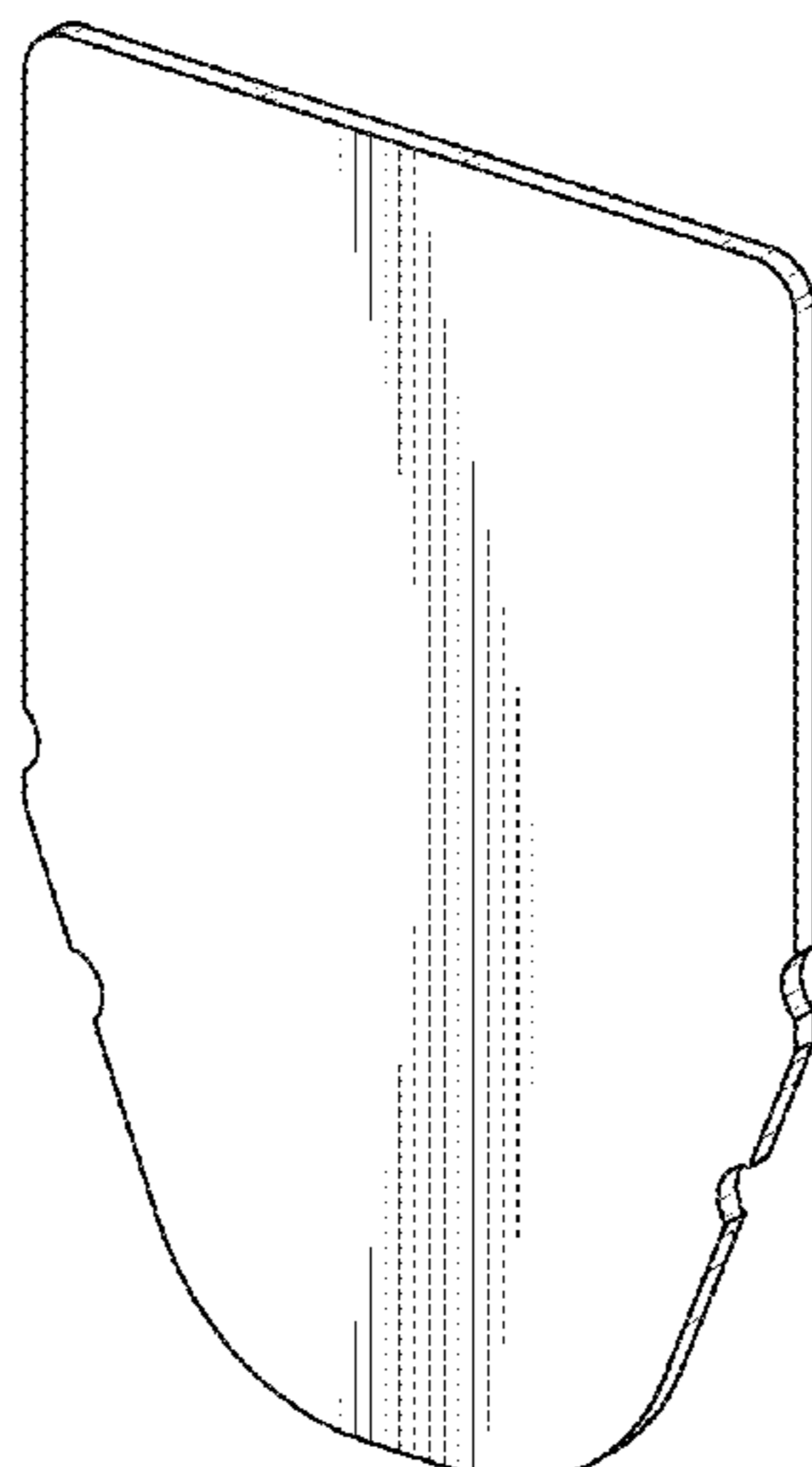
U.S. PATENT DOCUMENTS

1,636,419 A	7/1927	Hollander	
2,105,028 A	1/1938	Dickhoff	
2,239,223 A	4/1941	Gilman	
2,316,055 A *	4/1943	Davey	F41H 5/08
			2/2.5
2,794,128 A	5/1957	Shasky	
D238,615 S	1/1976	Maier	
D241,378 S	9/1976	Burger	
D249,278 S	9/1978	Milligan	
4,196,355 A	4/1980	Maine	
4,254,341 A	3/1981	Herr et al.	
D259,139 S	5/1981	Johnson	
4,386,277 A	5/1983	Forshee	

DESCRIPTION

FIG. 1 is a front perspective view of an X-ray shield showing an embodiment of my new design;
FIG. 2 is a front view thereof;
FIG. 3 is a top view thereof;
FIG. 4 is a bottom view thereof;
FIG. 5 is a side view thereof; and,
FIG. 6 is another front perspective view thereof, with a sample holder shown in broken lines.
The broken lines in FIG. 6 represent environmental subject matter and form no part of the claimed design.

1 Claim, 3 Drawing Sheets



(56)

References Cited

U.S. PATENT DOCUMENTS

D504,194	S	4/2005	Canavan	
D534,003	S	12/2006	McNally	
D556,324	S	11/2007	Oddsottir et al.	
7,294,845	B2	11/2007	Ballsieper	
D569,044	S	5/2008	Crye	
D569,046	S	5/2008	Crye	
7,608,847	B2	10/2009	Rees	
7,744,278	B2	6/2010	Barkow et al.	
D629,109	S	12/2010	Phillips	
D629,110	S	12/2010	Brettle et al.	
D639,076	S	6/2011	Fukui	
D716,449	S	10/2014	Ballsieper	
D748,337	S *	1/2016	Battaglieri D29/101.3
D751,710	S	3/2016	Ballsieper	
D772,415	S	11/2016	Ballsieper	
D775,340	S	12/2016	Ballsieper	
D809,208	S *	1/2018	Battaglieri D29/100
2007/0089596	A1 *	4/2007	Huber F41H 5/0428 89/36.02
2009/0323892	A1	12/2009	Hitzke	

2012/0186590	A1	7/2012	Byers
2013/0270462	A1	10/2013	Beck
2013/0299723	A1	11/2013	Murase
2015/0041686	A1	2/2015	Pizarro
2017/0004895	A1	1/2017	Holman

OTHER PUBLICATIONS

Radiation Protection Covers, Kenex, Great Britain, www.kenex.co.uk.
 Radiation Protection Covers, Aadco, U.S.A., www.aadcomed.com.
 Radiation Protection Covers, Beijing Huaren, China, bjuaren.com.
 Radiation Protection Covers, Mavig, USA.
 U.S. Appl. No. 29/466,485, filed Sep. 9, 2013, Ballsieper.
 U.S. Appl. No. 29/502,311, filed Sep. 15, 2014, Ballsieper.
 U.S. Appl. No. 29/503,390, filed Sep. 25, 2014, Ballsieper.
 U.S. Appl. No. 29/553,475, filed Feb. 2, 2016, Ballsieper.
 U.S. Appl. No. 29/556,915, filed Mar. 4, 2016, Ballsieper et al.
 U.S. Appl. No. 29/561,676, filed Apr. 19, 2016, Ballsieper (parent application).

* cited by examiner

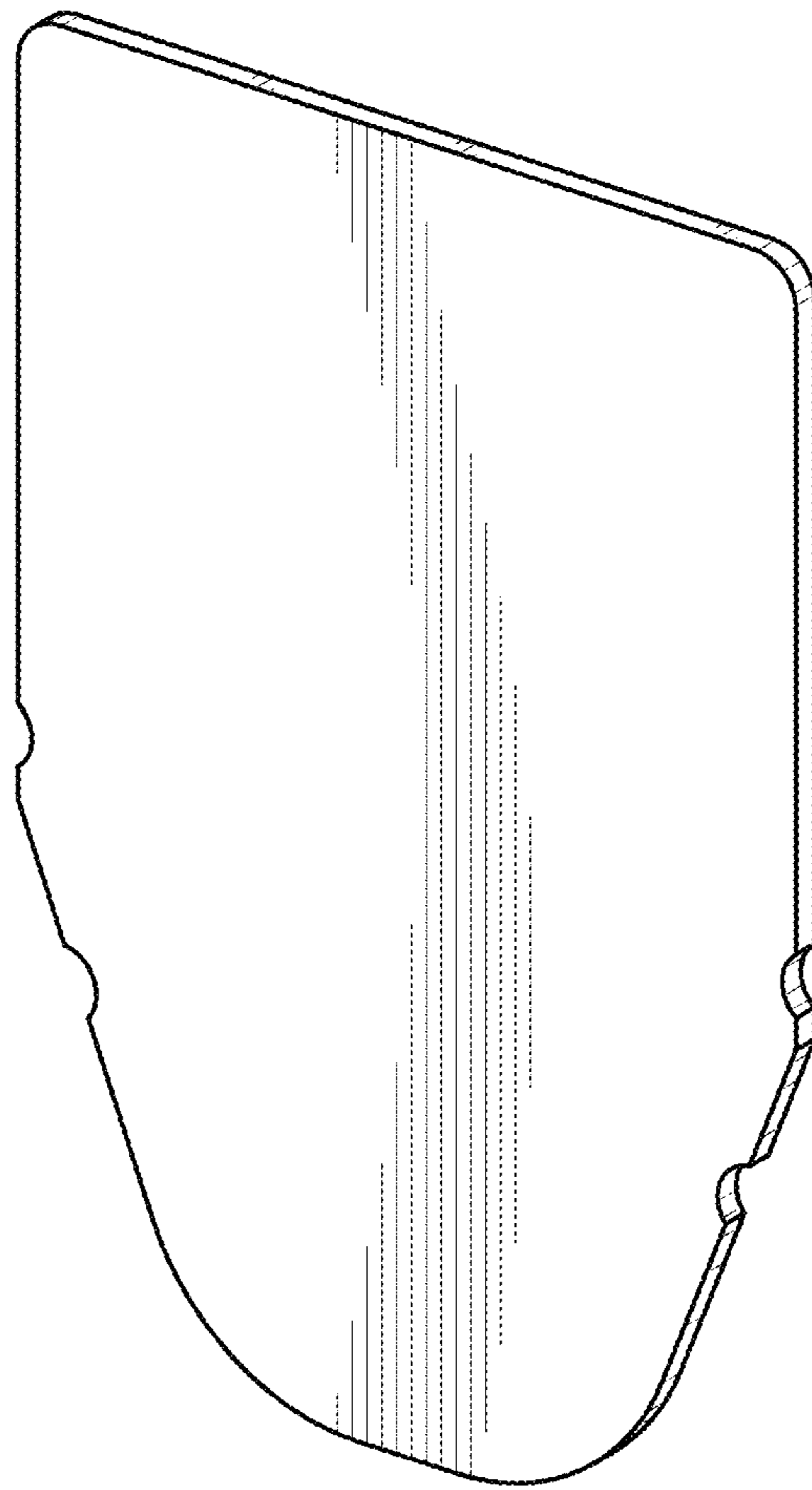


FIG. 1

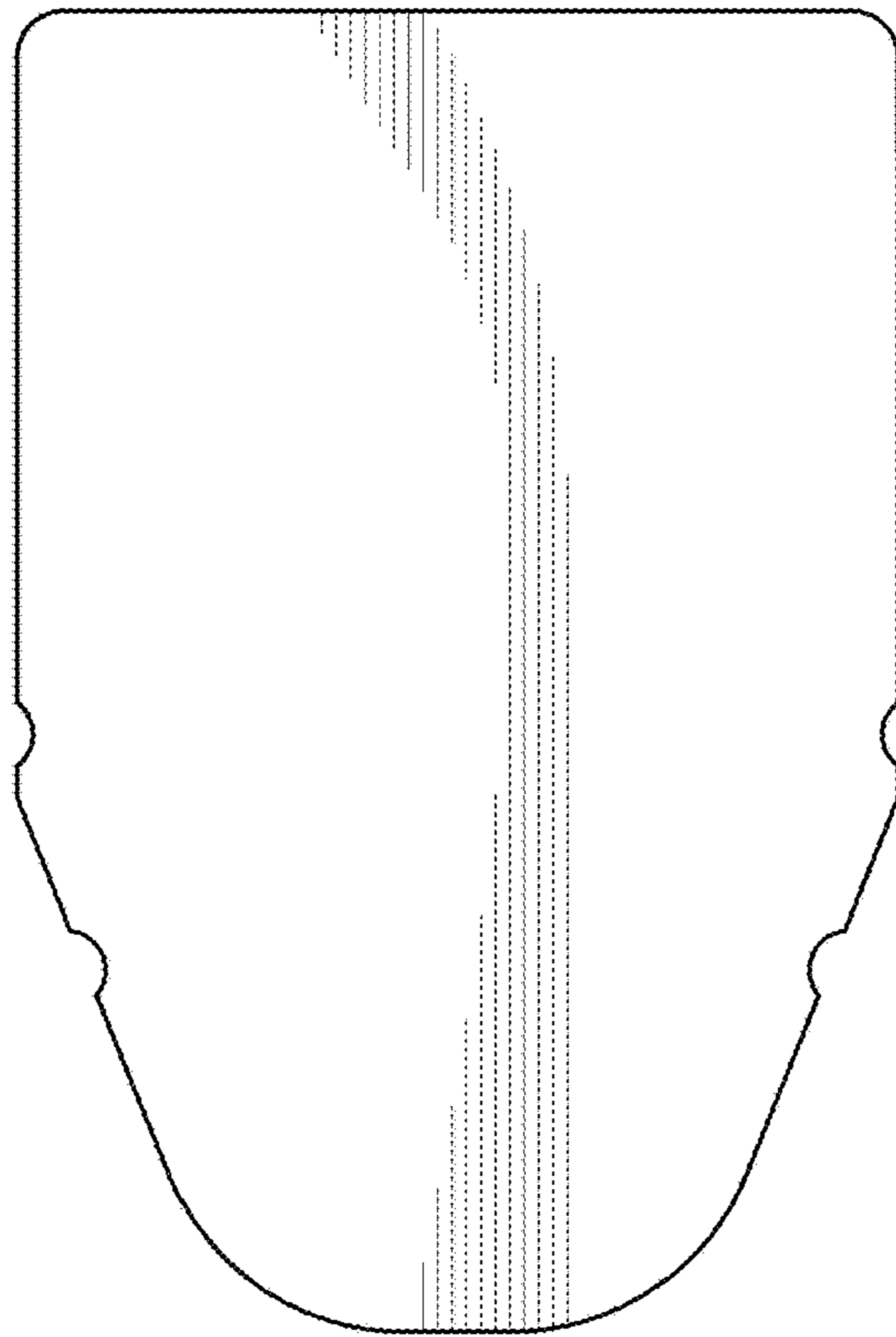


FIG. 2

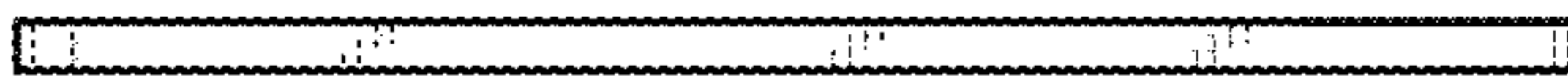


FIG. 3



FIG. 4



FIG. 5

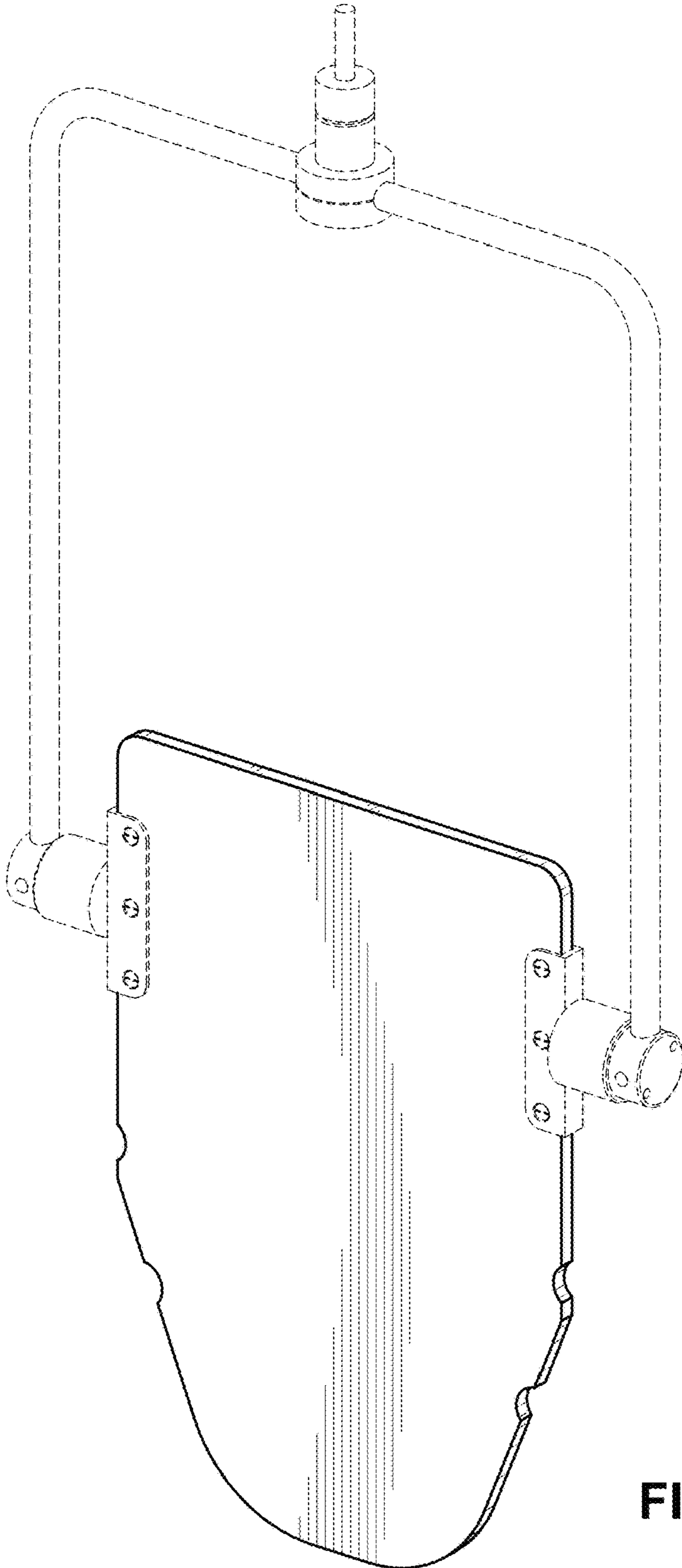


FIG. 6