



US00D825761S

(12) **United States Design Patent** (10) **Patent No.:** **US D825,761 S**  
**Radau et al.** (45) **Date of Patent:** **\*\* Aug. 14, 2018**

(54) **PART OF PROSTHESIS** 4,911,724 A \* 3/1990 Fikes ..... A61F 2/60  
623/37  
(71) Applicant: **OTTO BOCK HEALTHCARE** 5,152,800 A \* 10/1992 Rothschild ..... A61F 2/60  
**PRODUCTS GMBH, Vienna (AT)** 623/33  
5,376,127 A \* 12/1994 Swanson ..... A61F 2/78  
264/511  
(72) Inventors: **Nils Eduard Radau, Salzburg (AT);**  
**Stephan Lintner, Elsbethen (AT);**  
**Carlos Ramos Alzamora, Salzburg**  
**(AT); Anna Neumann, Elsbethen (AT)** D383,542 S \* 9/1997 Wellershaus ..... D24/155  
5,880,964 A \* 3/1999 Schall ..... A61F 2/5046  
623/27  
6,153,139 A \* 11/2000 Marquette ..... A61F 2/5046  
264/219  
(73) Assignee: **OTTO BOCK HEALTHCARE** 6,597,965 B2 \* 7/2003 Graves ..... A61F 2/5046  
**PRODUCTS GMBH, Vienna (AT)** 623/27  
D499,487 S \* 12/2004 Bedard ..... D24/155  
D501,925 S \* 2/2005 Bedard ..... D24/155  
D566,275 S \* 4/2008 Morrison ..... D24/155  
7,438,725 B2 \* 10/2008 Slemker ..... A61F 2/64  
623/39  
D592,749 S \* 5/2009 Muhlenberend ..... D24/155  
(Continued)

(80) **Hague Agreement Data**  
Int. Filing Date: **Oct. 23, 2015**  
Int. Reg. No.: **DM/088535**  
Int. Reg. Date: **Oct. 23, 2015**  
Int. Reg. Pub. Date: **Dec. 18, 2015**

*Primary Examiner* — Rhea Shields  
(74) *Attorney, Agent, or Firm* — Holland & Hart

(30) **Foreign Application Priority Data**  
Apr. 24, 2015 (EM) ..... 002689075  
(51) **LOC (11) Cl.** ..... **24-03**  
(52) **U.S. Cl.**  
USPC ..... **D24/155**  
(58) **Field of Classification Search**  
USPC ..... D24/155, 171; 623/29, 33, 27, 37, 39;  
264/219, 511  
CPC .. A61F 2/5046; A61F 2/60; A61F 2/78; A61F  
2/64  
See application file for complete search history.

(57) **CLAIM**

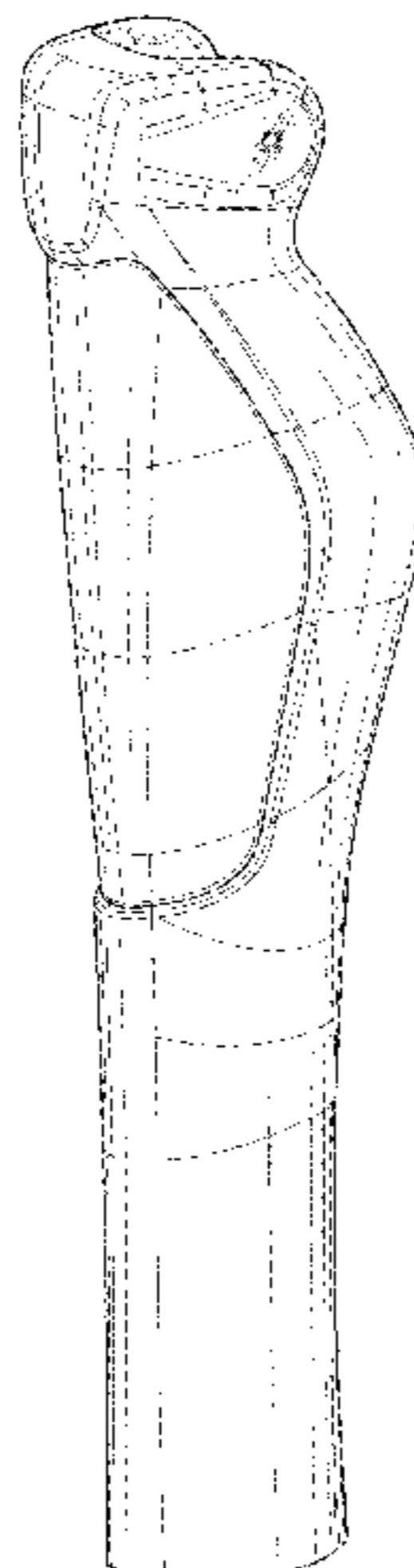
The ornamental design for a part of prosthesis, as shown and described.

(56) **References Cited**  
U.S. PATENT DOCUMENTS  
3,422,462 A \* 1/1969 Finnieston ..... A61F 2/60  
623/33  
3,909,855 A \* 10/1975 Barredo ..... A61F 2/60  
623/27

**DESCRIPTION**

1. Part of prosthesis  
1.1 is a perspective view;  
1.2 is a perspective view;  
1.3 is a side view;  
1.4 is a front view;  
1.5 is a rear view;  
1.6 is a top view; and  
1.7 is a bottom view.  
In the drawings, the broken lines are for the purpose of illustrating environment only and form no part of the claimed design.

**1 Claim, 6 Drawing Sheets**



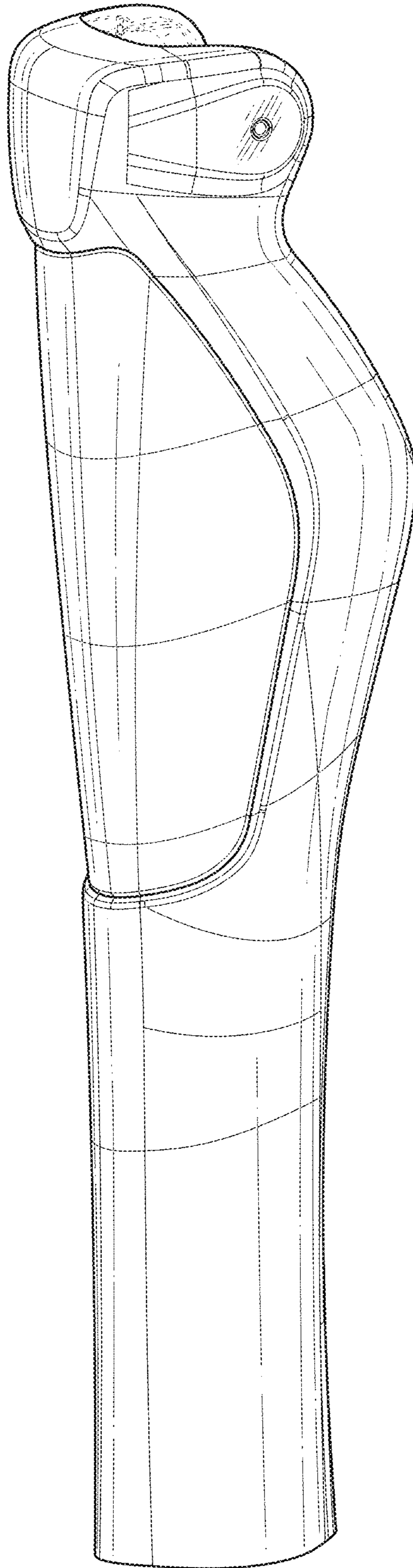
(56)

**References Cited**

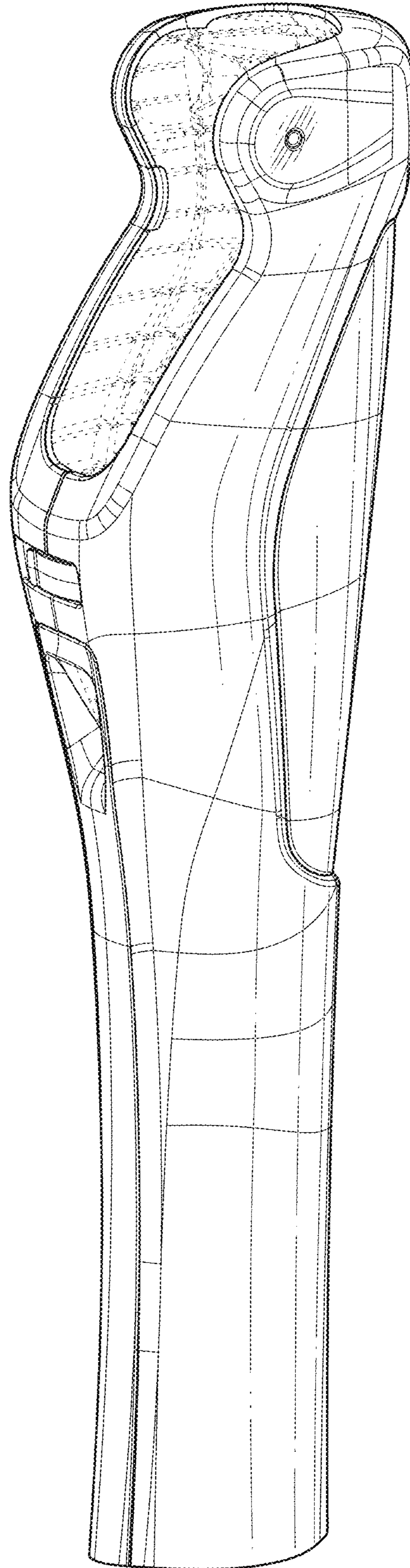
U.S. PATENT DOCUMENTS

7,797,072 B2 \* 9/2010 Summit ..... A61F 2/5046  
623/29  
D629,903 S \* 12/2010 Fletcher ..... D24/155  
D632,790 S \* 2/2011 Cheng ..... D24/155  
D721,810 S \* 1/2015 Sigurdsson ..... D24/155  
D731,653 S \* 6/2015 Smith ..... D24/155  
D732,167 S \* 6/2015 Terleski ..... D24/155  
D732,168 S \* 6/2015 Terleski ..... D24/155  
D733,883 S \* 7/2015 Omarsson ..... D24/155  
D735,862 S \* 8/2015 Noack ..... D24/155  
D736,385 S \* 8/2015 Nakaya ..... D24/155  
D736,931 S \* 8/2015 Thomas ..... D24/155  
D745,157 S \* 12/2015 Humphrey ..... D24/155  
D745,161 S \* 12/2015 Wanner ..... D24/155  
D745,677 S \* 12/2015 Sigurdsson ..... D24/155  
D748,790 S \* 2/2016 Kampas ..... D24/155  
D748,791 S \* 2/2016 Kampas ..... D24/155  
D750,250 S \* 2/2016 Noack ..... D24/155  
D757,269 S \* 5/2016 Prybyla ..... D24/155  
D765,853 S \* 9/2016 Blain ..... D24/155  
D766,435 S \* 9/2016 Link ..... D24/155

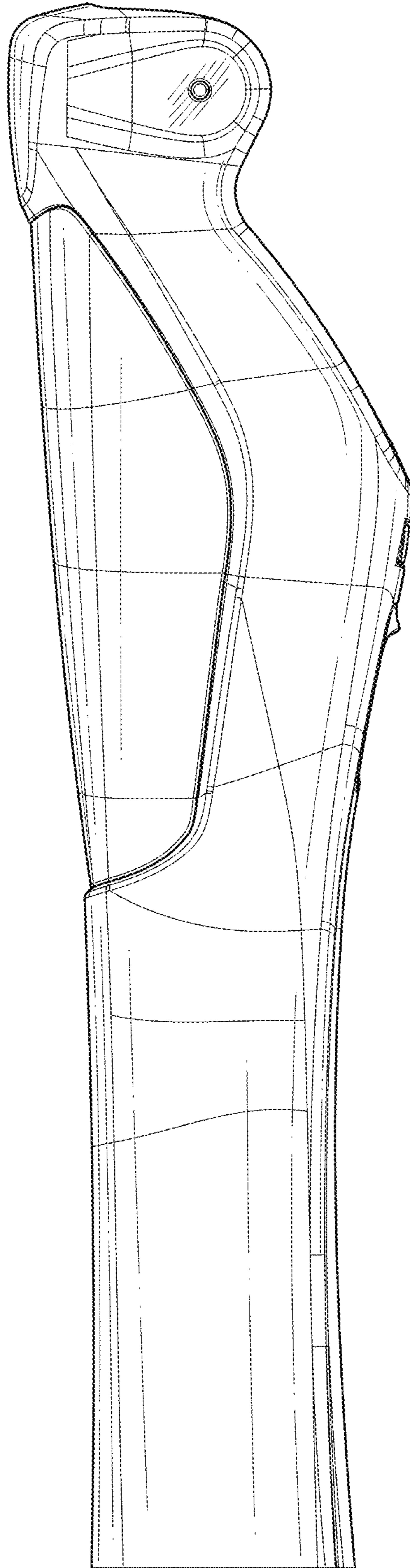
\* cited by examiner



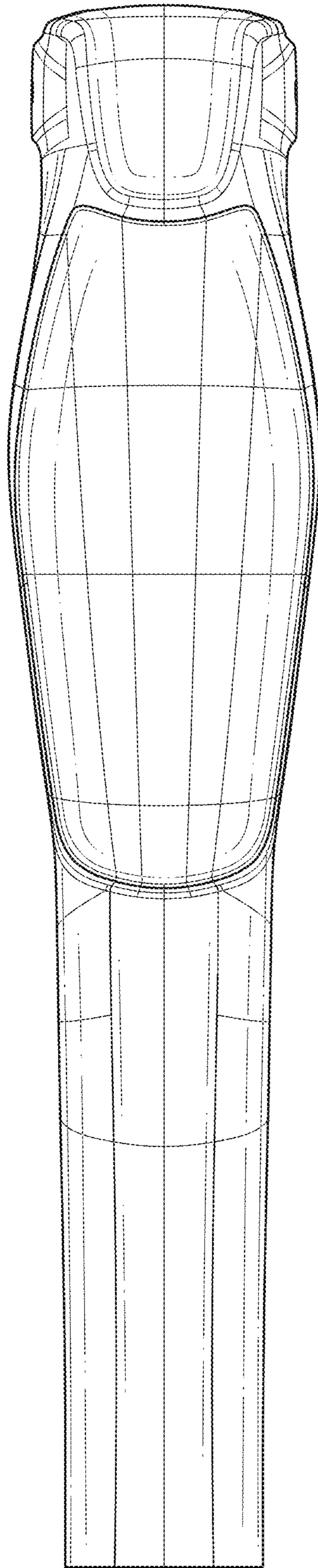
**1.1**



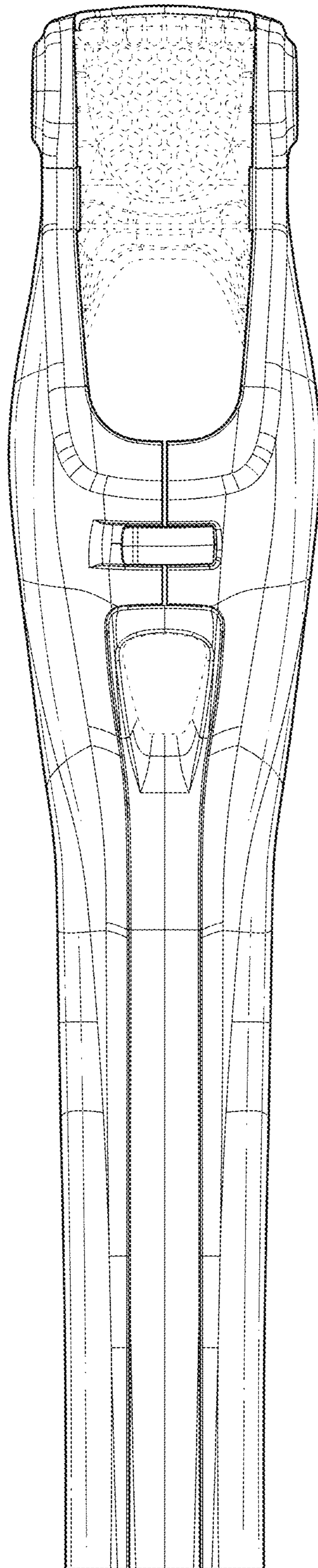
**1.2**



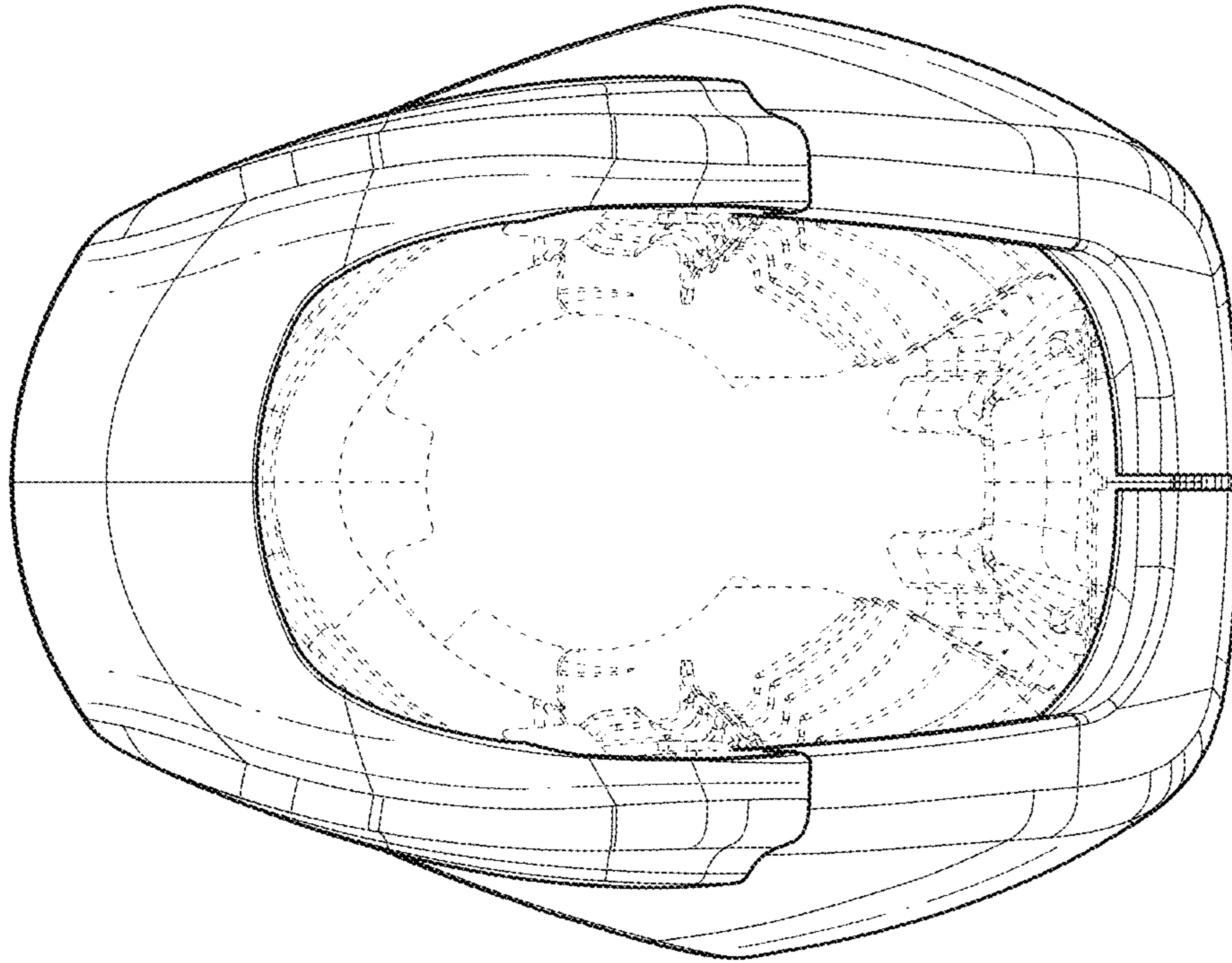
**1.3**



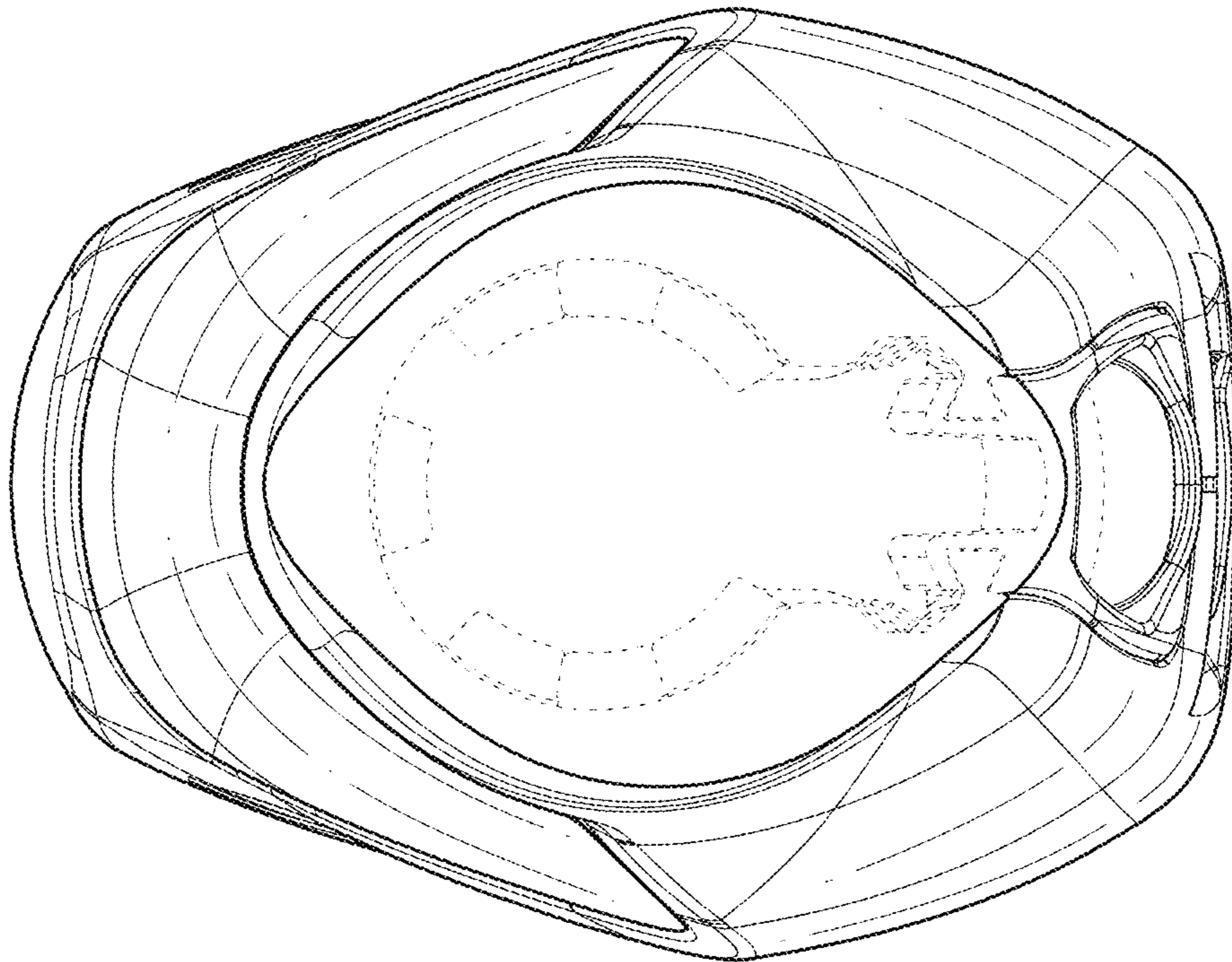
**1.4**



**1.5**



**1.6**



**1.7**