



US00D825760S

(12) **United States Design Patent** (10) **Patent No.:** **US D825,760 S**
Brönnimann et al. (45) **Date of Patent:** **** Aug. 14, 2018**

(54) **IMPLANT**
(71) Applicant: **OSTOMYCURE AS**, Oslo (NO)
(72) Inventors: **Benedict Brönnimann**, Penthaz (CH);
Mats Erik Kindahl Cardell,
Sollentuna (SE); **Jan Anders Berglund**,
Järfälla (SE); **Robert Axelsson**, Gränna
(SE)

4,217,664 A 8/1980 Faso
5,098,397 A 3/1992 Svensson et al.
5,269,774 A 12/1993 Gray
5,423,761 A 6/1995 Hein et al.
5,425,761 A 6/1995 Lundgren
5,882,341 A 3/1999 Bousquet
(Continued)

(73) Assignee: **Ostomycure AS**, Oslo (NO)
(**) Term: **15 Years**

EP 0 447 475 B1 4/1992
EP 1 632 201 B1 3/2006
(Continued)

(21) Appl. No.: **29/626,271**
(22) Filed: **Nov. 15, 2017**

FOREIGN PATENT DOCUMENTS

OTHER PUBLICATIONS

Search Report, Appl. No. EP 07114671, dated Dec. 4, 2007.
(Continued)

Related U.S. Application Data

(62) Division of application No. 29/551,253, filed on Jan. 12, 2016, now Pat. No. Des. 816,842, which is a division of application No. 29/471,220, filed on Oct. 29, 2013, now Pat. No. Des. 752,750.

Primary Examiner — Charles D Hanson
(74) *Attorney, Agent, or Firm* — Winston & Strawn LLP

(30) **Foreign Application Priority Data**

Apr. 30, 2013 (WO) DM/080805

(51) **LOC (11) Cl.** **24-02**
(52) **U.S. Cl.**
USPC **D24/155**
(58) **Field of Classification Search**
USPC D24/155
See application file for complete search history.

(57) **CLAIM**

The ornamental design for an implant, as shown and described.

DESCRIPTION

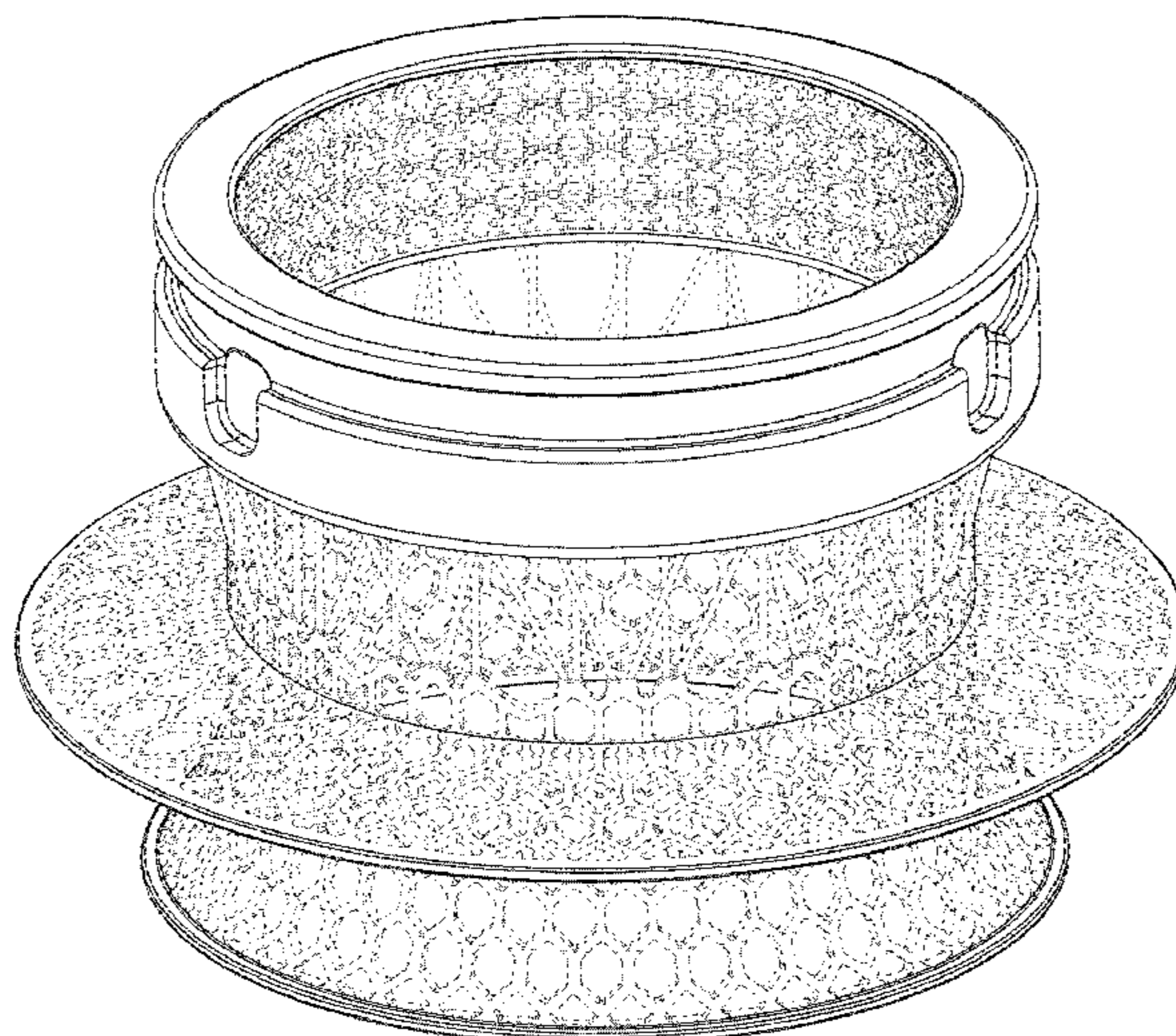
FIG. 1 is a top perspective view of an implant according to the present invention.
FIG. 2 is a top view thereof.
FIG. 3 is a bottom perspective view thereof.
FIG. 4 is a bottom view thereof.
FIG. 5 is a front side view thereof.
FIG. 6 is a back side view thereof.
FIG. 7 is a left side view thereof; and,
FIG. 8 is a right side view thereof.
The broken line showing is included for the purpose of illustrating unclaimed subject matter and forms no part of the claimed design.

(56) **References Cited**

U.S. PATENT DOCUMENTS

3,663,965 A 5/1972 Lee, Jr. et al.
3,736,934 A 6/1973 Hennessy
4,119,100 A 10/1978 Rickett
4,183,357 A 1/1980 Bentley et al.

1 Claim, 8 Drawing Sheets



(56)

References Cited

U.S. PATENT DOCUMENTS

6,017,355	A	1/2000	Hessel et al.	
6,438,397	B1	8/2002	Bousquet et al.	
7,935,096	B2	5/2011	Johansson et al.	
8,449,512	B2	5/2013	Villani et al.	
8,647,304	B2	2/2014	Axelsson et al.	
8,821,462	B2	9/2014	Axelsson et al.	
8,998,862	B2	4/2015	Hanuka et al.	
D752,750	S	3/2016	Bronnimann et al.	
D788,925	S *	6/2017	Bronnimann	D24/155
D816,842	S *	5/2018	Bronnimann	D24/155
2001/0051794	A1	12/2001	Bestetti et al.	
2002/0099344	A1	7/2002	Hessel et al.	
2004/0006396	A1	1/2004	Ricci et al.	
2006/0052759	A1	3/2006	Johansson et al.	
2007/0132155	A1	6/2007	Burgermeister et al.	
2009/0192464	A1	7/2009	Axelsson et al.	
2010/0131050	A1	5/2010	Zhao	
2011/0092929	A1	4/2011	Weig	
2011/0178540	A1	7/2011	Axelsson et al.	
2011/0196324	A1	8/2011	Johansson et al.	
2011/0251452	A1	10/2011	Villani et al.	
2011/0316919	A1	12/2011	Baldy et al.	
2012/0123361	A1 *	5/2012	Johansson	A61F 5/445 604/337
2013/0197458	A1	8/2013	Salama	
2014/0052085	A1 *	2/2014	Johansson	A61F 5/445 604/338

FOREIGN PATENT DOCUMENTS

EP	1 825 839	A1	8/2007
EP	2 027 835	A1	2/2009
GB	2 045 084	A	10/1980
GB	2 105 197	A	3/1983
JP	2002-507901	A	3/2002
WO	92/08499	A1	5/1992
WO	98/58691	A1	12/1998
WO	00/62722	A1	10/2000
WO	01/08597	A1	2/2001
WO	2005/056079	A1	6/2005

WO	2007/099500	A1	9/2007
WO	2009/024568	A1	2/2009
WO	2010/000851	A2	1/2010
WO	2010/125346	A1	11/2010
WO	2011/126724	A1	10/2011
WO	2012/007755	A2	1/2012
WO	2012/131351	A2	10/2012

OTHER PUBLICATIONS

Search Report, Appl. No. GB 1105126.5, dated Jul. 15, 2011.
 Search Report, Appl. No. GB 1105126.5, dated Jan. 20, 2012.
 International Search Report and Written Opinion, Appl. No. PCT/IB2007/050646, dated Jul. 27, 2007.
 International Search Report, Appl. No. PCT/EP2008/060837, dated Nov. 7, 2008.
 International Search Report and Written Opinion, Appl. No. PCT/GB2012/050668, dated Sep. 28, 2012.
 U.S. Appl. No. 12/280,610, Restriction Requirement, dated Dec. 23, 2010.
 U.S. Appl. No. 12/280,610, Non-Final Office Action, dated Mar. 22, 2011.
 U.S. Appl. No. 12/280,610, Applicant-Initiated Interview Summary, dated Sep. 16, 2011.
 U.S. Appl. No. 12/280,610, Non-Final Office Action, dated Mar. 16, 2012.
 U.S. Appl. No. 12/280,610, Final Office Action, dated Jan. 9, 2013.
 U.S. Appl. No. 12/280,610, Advisory Action, dated Mar. 15, 2013.
 U.S. Appl. No. 12/280,610, Applicant-Initiated Interview Summary, dated Apr. 12, 2013.
 U.S. Appl. No. 12/280,610, Notice of Allowance, dated Oct. 17, 2013.
 U.S. Appl. No. 29/471,220, Restriction Requirement, dated Aug. 5, 2015.
 U.S. Appl. No. 29/471,220, Ex Parte Quayle Action, Nov. 27, 2015.
 U.S. Appl. No. 29/471,220, Notice of Allowance, dated Dec. 23, 2015.
 U.S. Appl. No. 29/551,253, Restriction Requirement, dated Oct. 5, 2017.

* cited by examiner

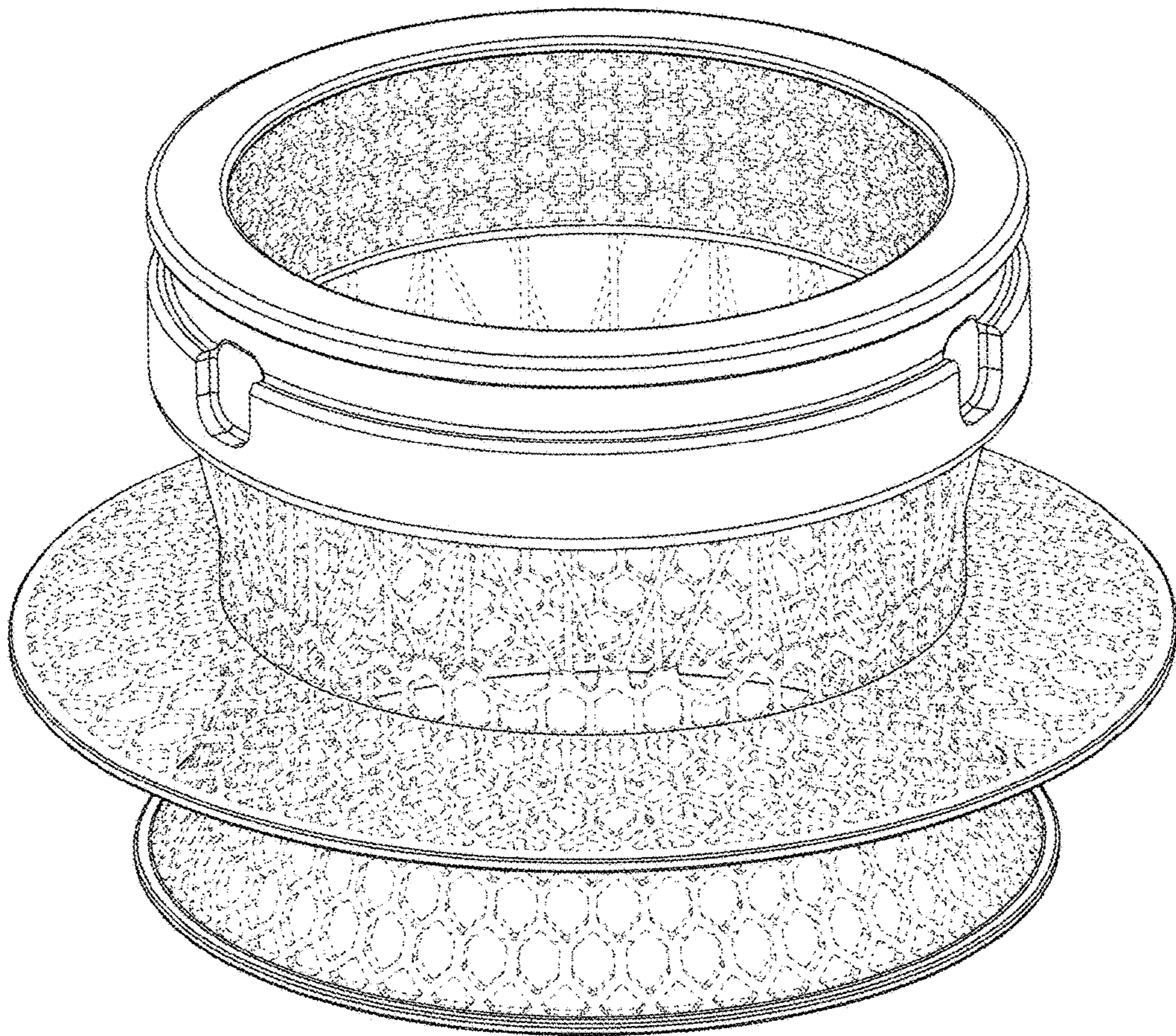


FIG. 1

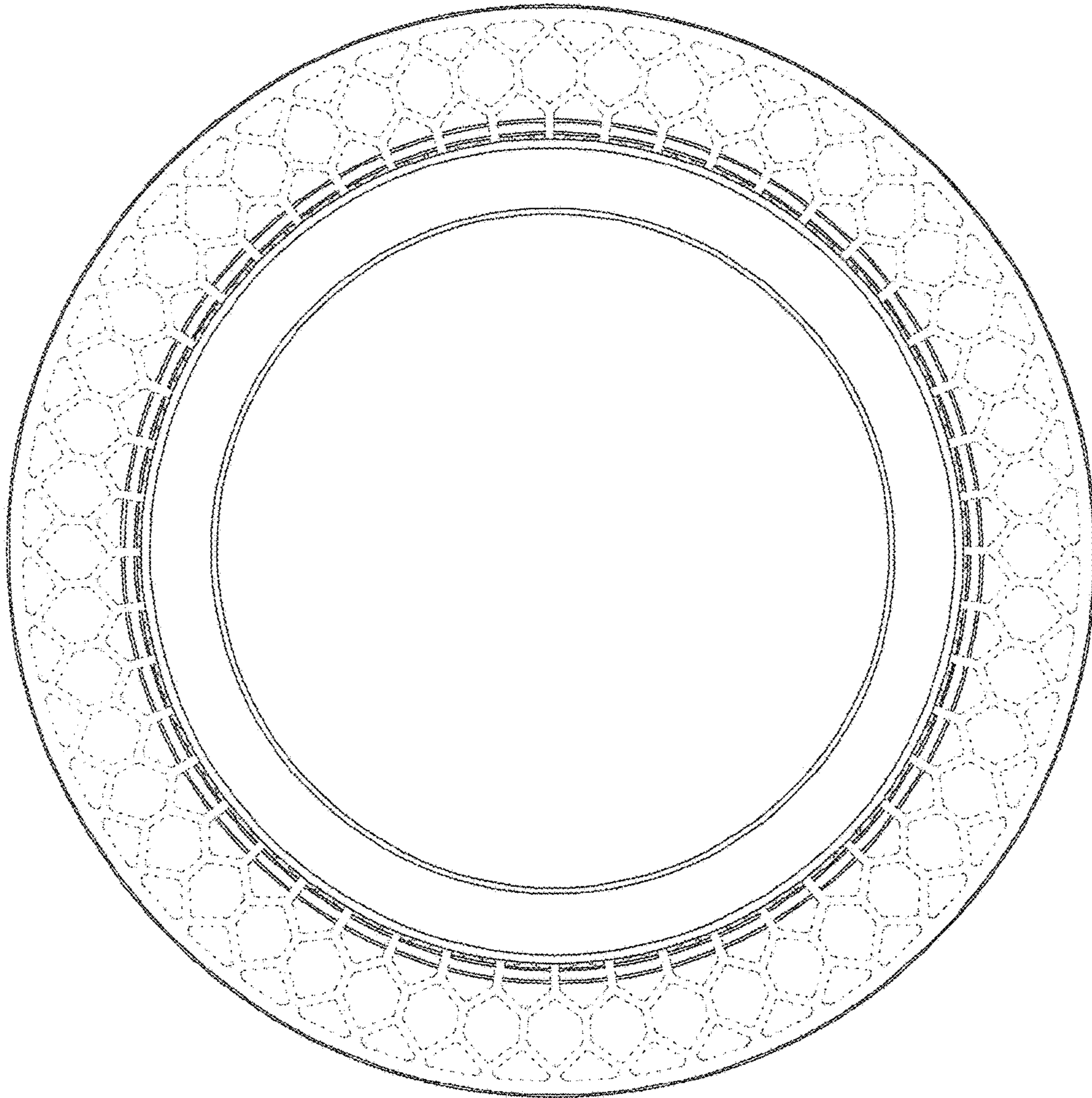


FIG. 2

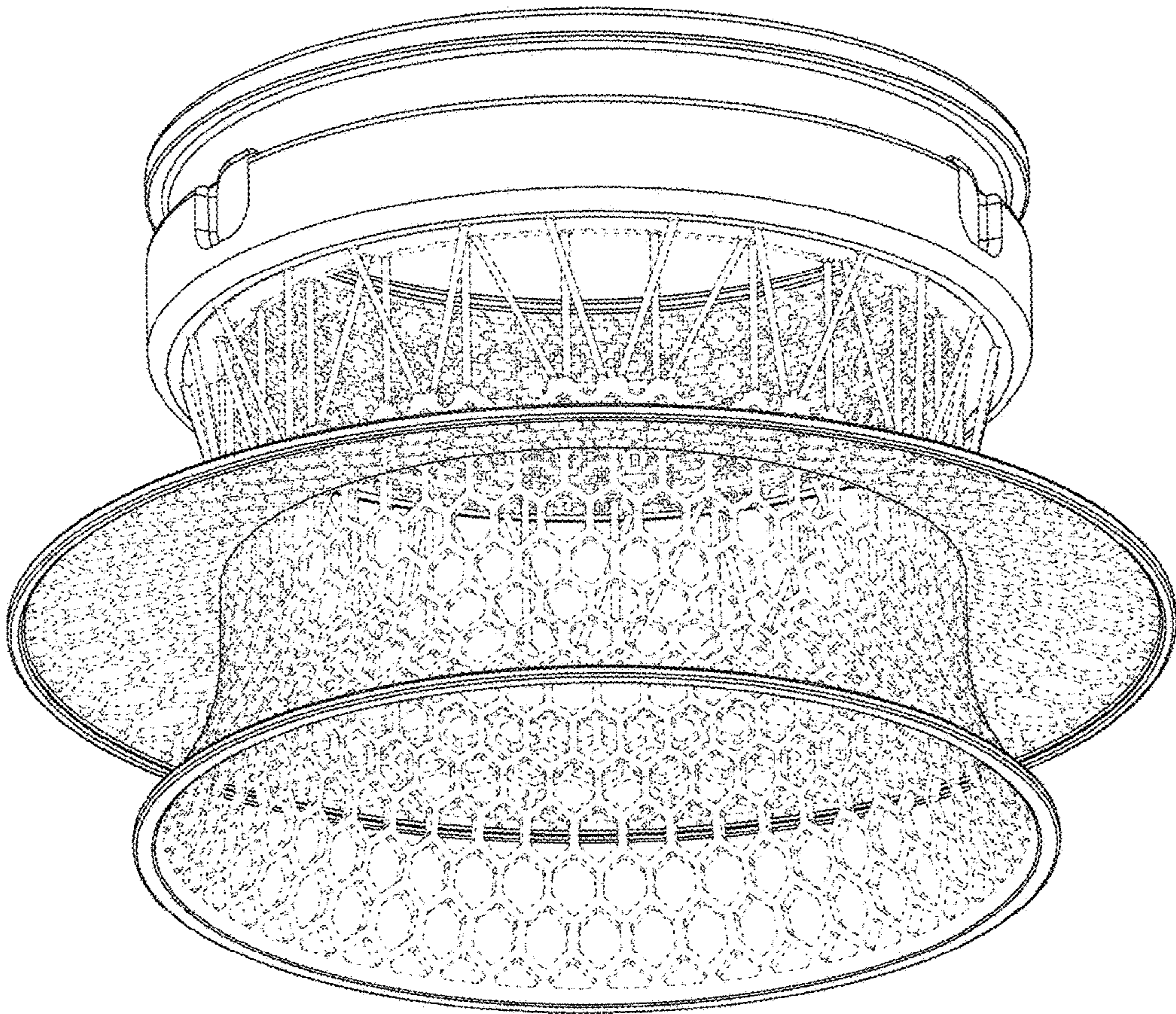


FIG. 3

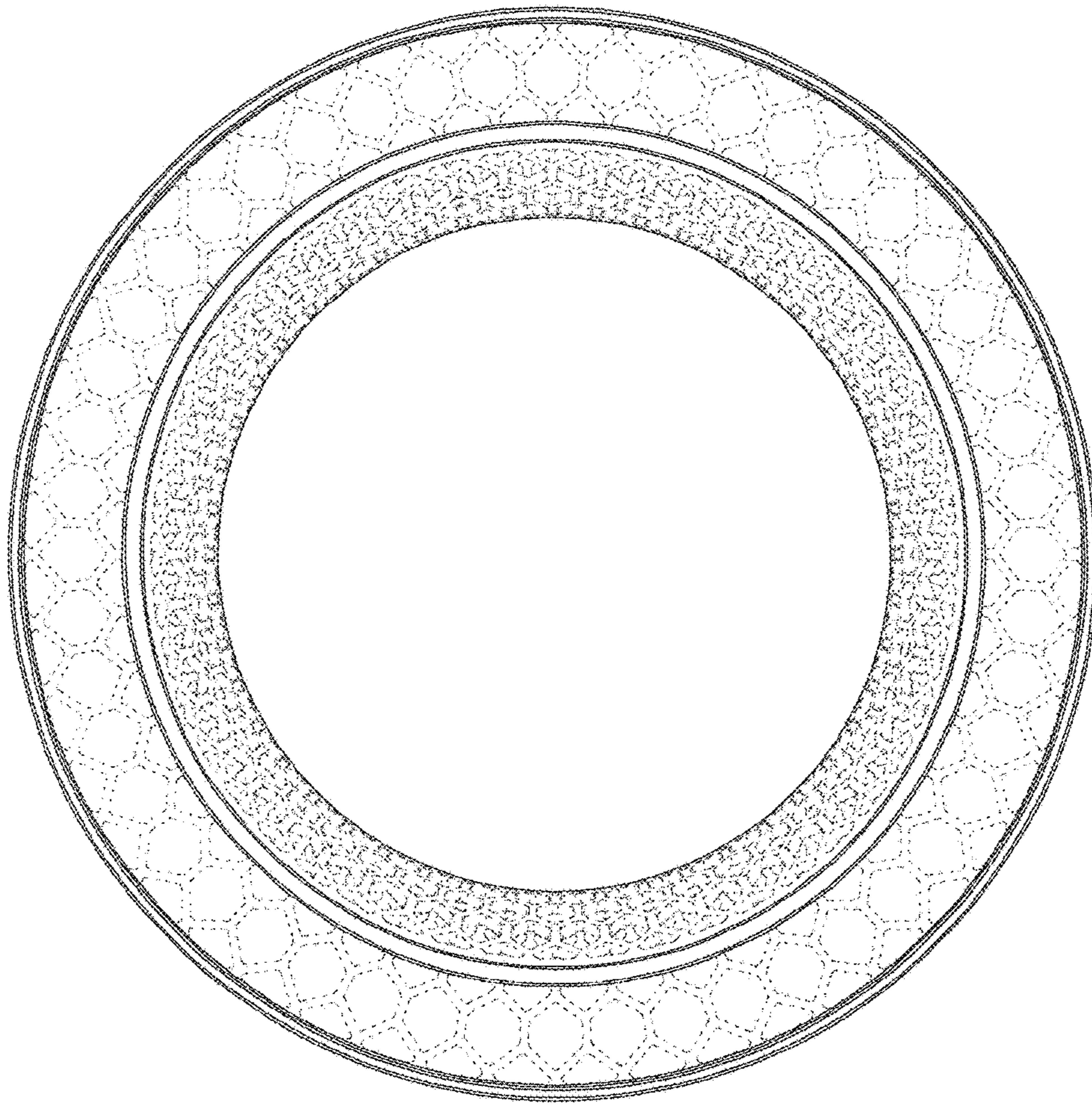


FIG. 4

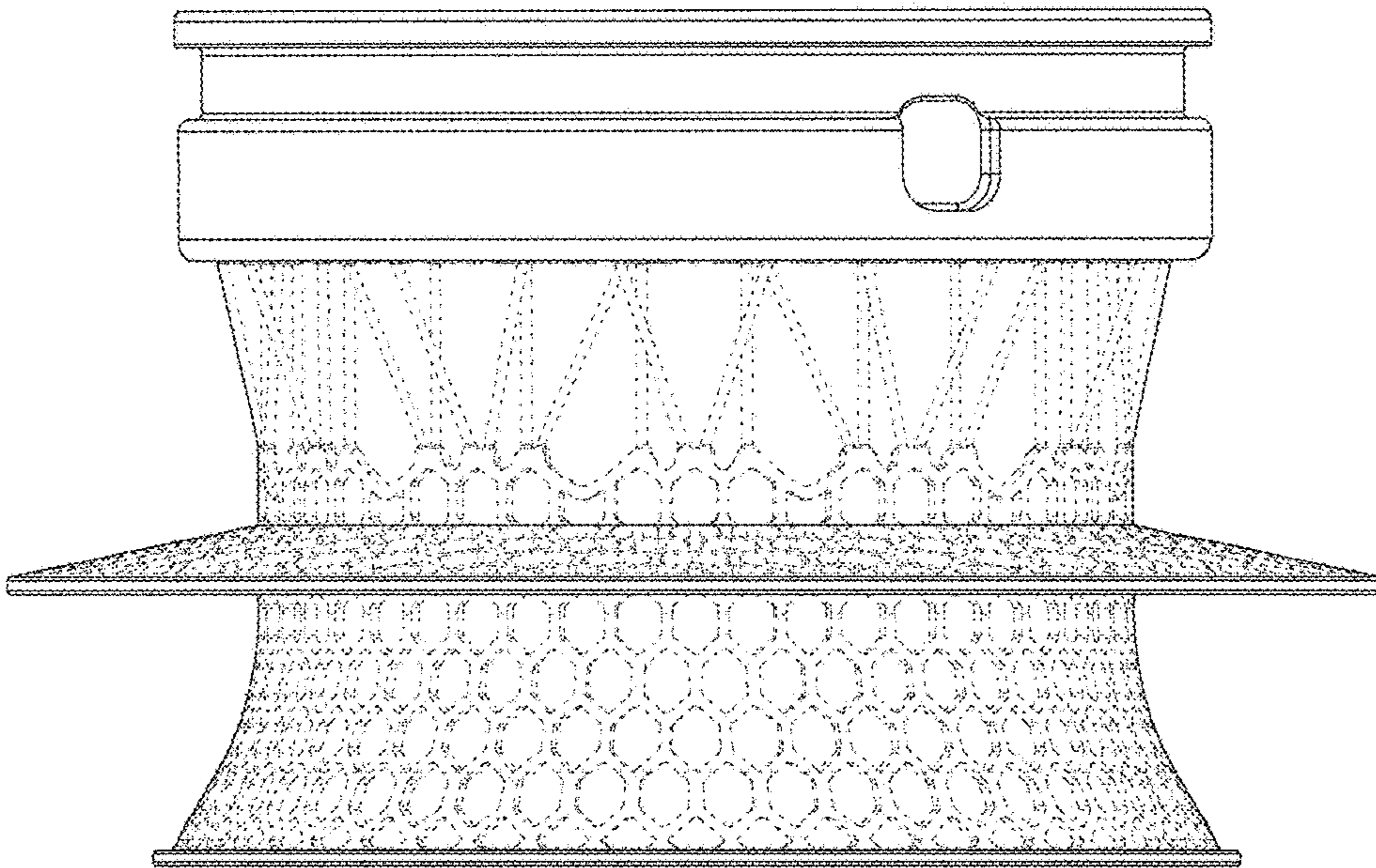


FIG. 5

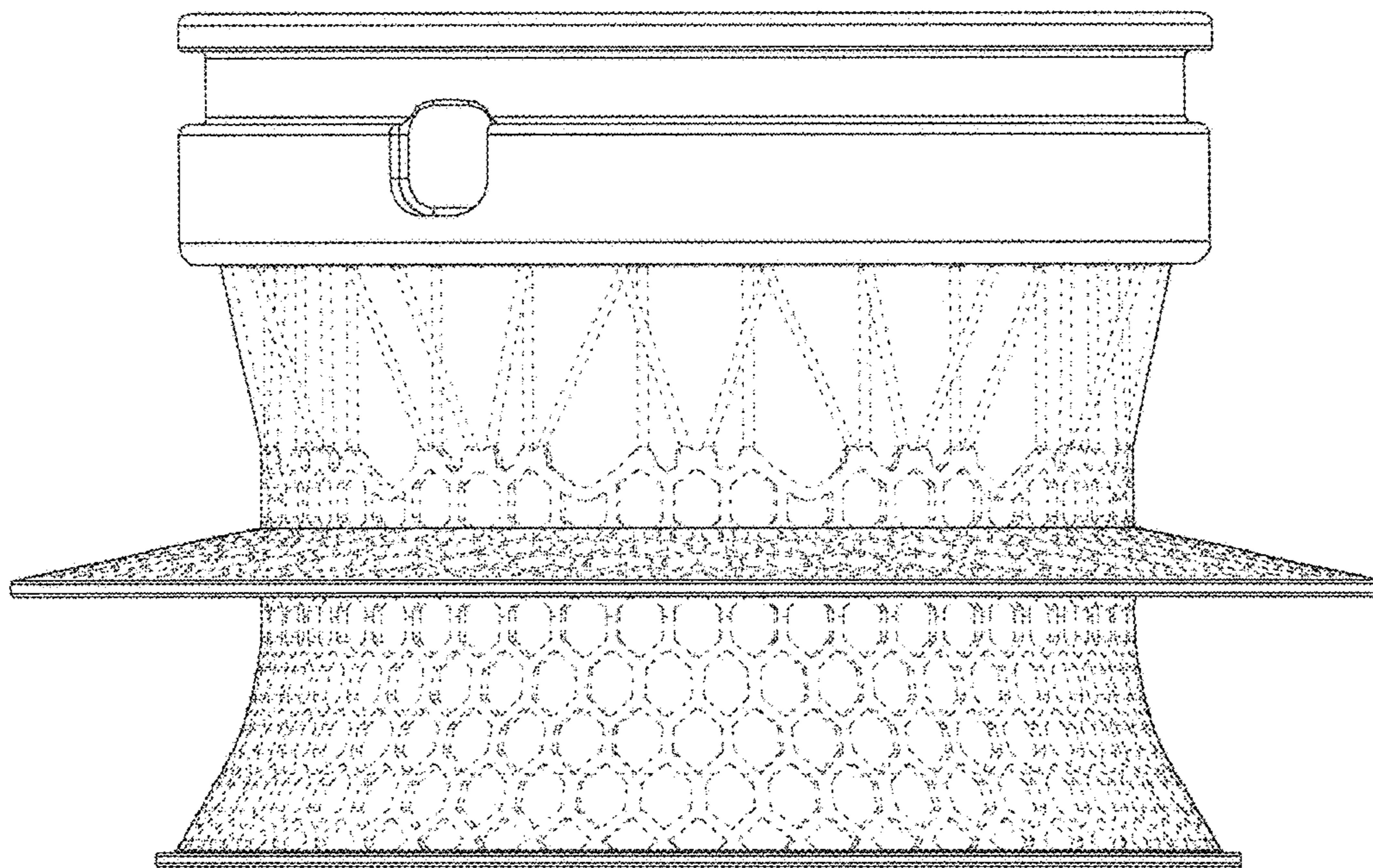


FIG. 6

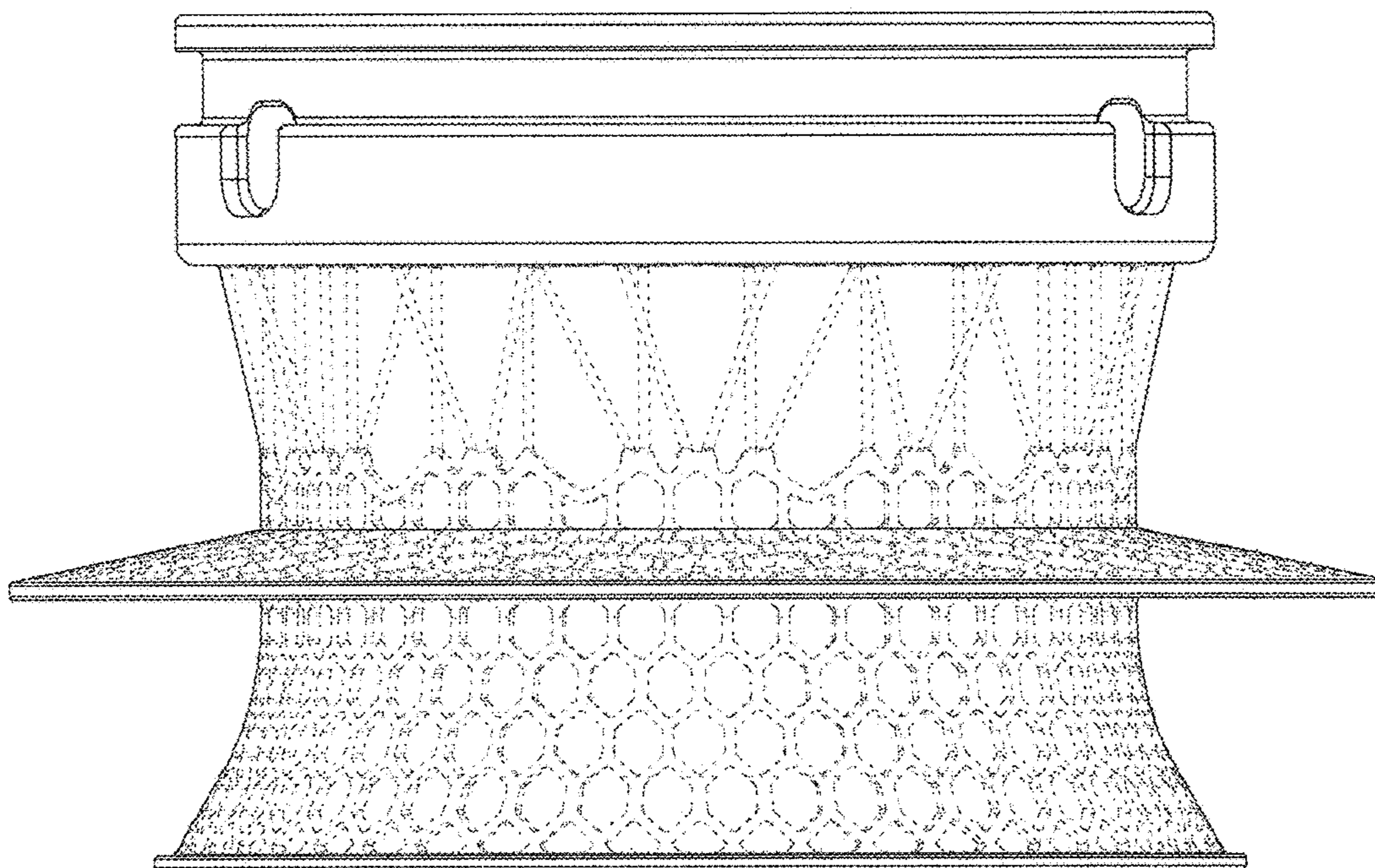


FIG. 7

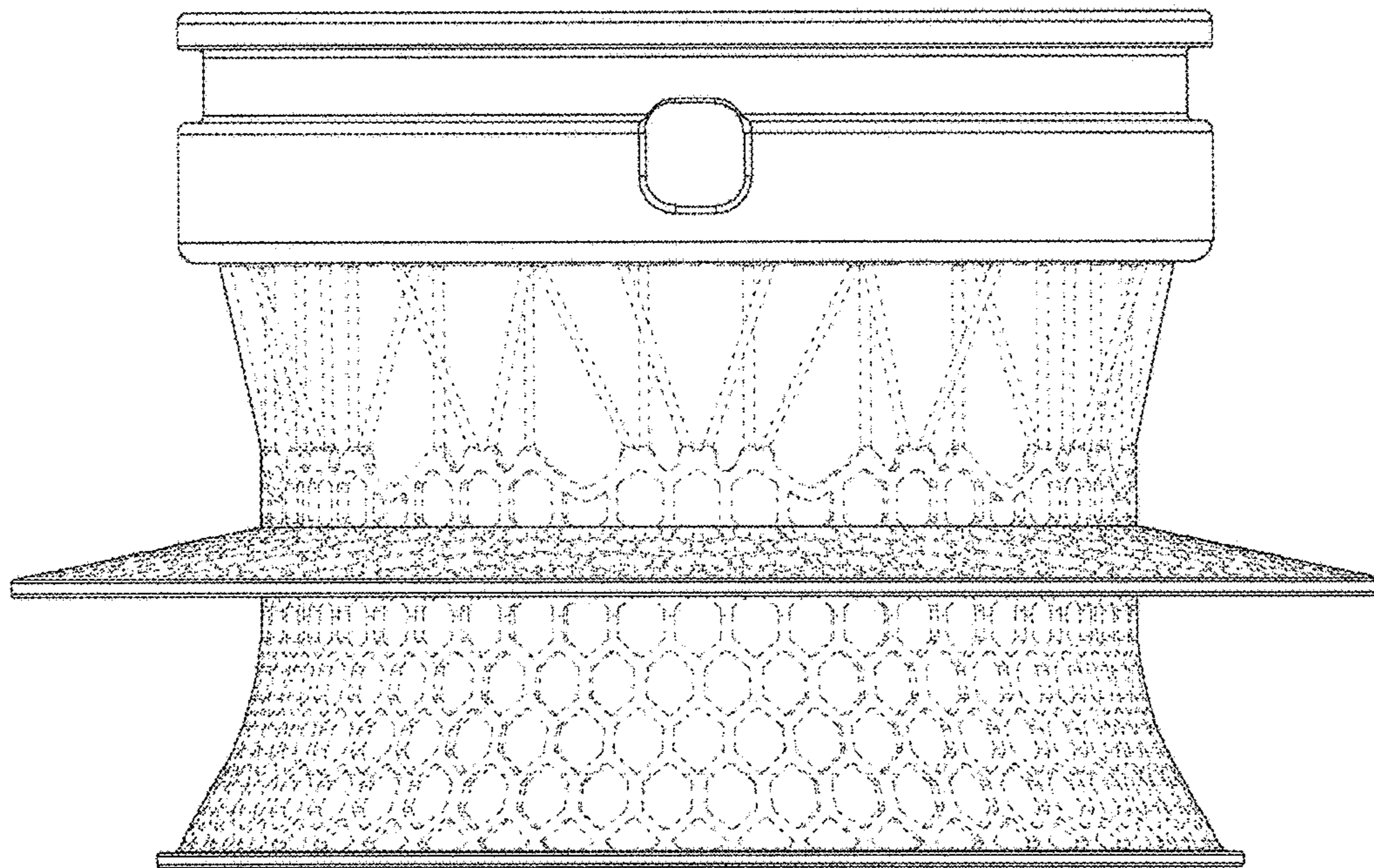


FIG. 8