



US00D825759S

(12) **United States Design Patent**
Rezzonico

(10) **Patent No.:** **US D825,759 S**
(45) **Date of Patent:** **** Aug. 14, 2018**

(54) **DENTAL INSTRUMENT**
(71) Applicant: **Mectron S.p.A**, Carasco (GE) (IT)
(72) Inventor: **Fabio Rezzonico**, Como (IT)
(73) Assignee: **MECTRON S.P.A.**, Carasco (GE) (IT)
(**) Term: **15 Years**

7,011,521 B2 * 3/2006 Sierro A61C 3/025
433/88
D583,052 S * 12/2008 Kagawa D24/152
8,152,524 B2 * 4/2012 Takamori A61C 3/025
433/88
8,672,678 B2 * 3/2014 Gramann A61C 3/025
433/88
D731,651 S * 6/2015 Wehreter D24/152

(21) Appl. No.: **29/617,456**
(22) Filed: **Sep. 14, 2017**

FOREIGN PATENT DOCUMENTS

WO WO D042535-001 * 12/1997

* cited by examiner

Primary Examiner — Wan Laymon

(74) *Attorney, Agent, or Firm* — Lucas & Mercanti, LLP

(30) **Foreign Application Priority Data**

Mar. 14, 2017 (EM) 003799097-04

(51) **LOC (11) Cl.** **24-02**

(52) **U.S. Cl.**
USPC **D24/152**

(58) **Field of Classification Search**
USPC D24/152-154, 146-147, 111, 108
CPC .. A61C 3/025; A61C 3/02; A61C 3/03; A61C
1/10; A61C 1/12; A61C 17/0202
See application file for complete search history.

(57) **CLAIM**

The ornamental design for a dental instrument, as shown and described.

DESCRIPTION

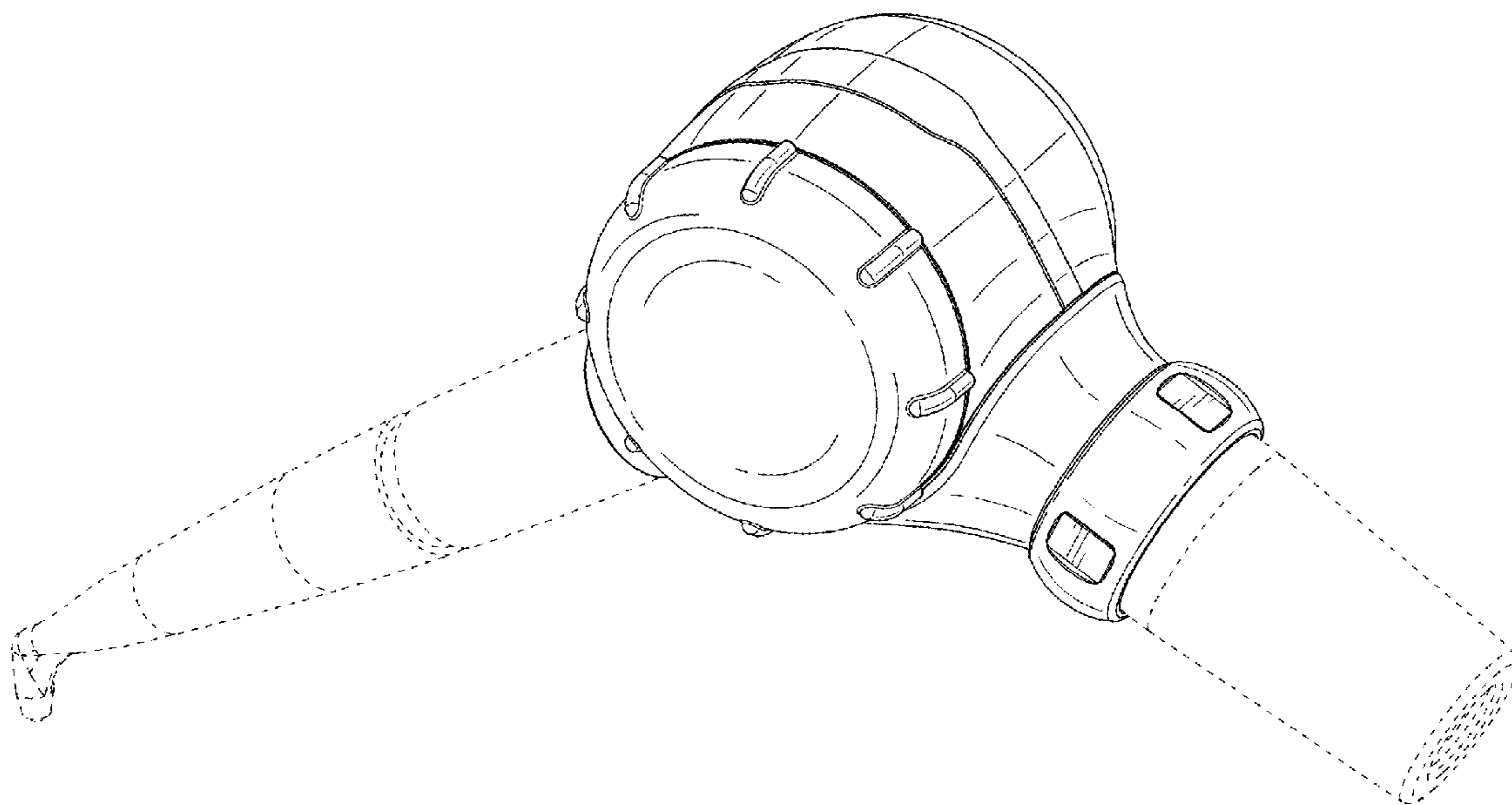
FIG. 1. is a perspective view of the dental instrument;
FIG. 2 is a front view thereof;
FIG. 3 is a first side view thereof;
FIG. 4 is a rear view thereof;
FIG. 5 is a second side view thereof;
FIG. 6 is a bottom view thereof; and,
FIG. 7 is a top view thereof.
The broken line shown in the figures is for the purpose of illustrating portions of the dental instrument and forms no part of the claimed design.

(56) **References Cited**

U.S. PATENT DOCUMENTS

5,857,851 A * 1/1999 Chavanne A61C 3/025
433/88
6,390,816 B2 * 5/2002 Ito A61C 3/025
433/88

1 Claim, 7 Drawing Sheets



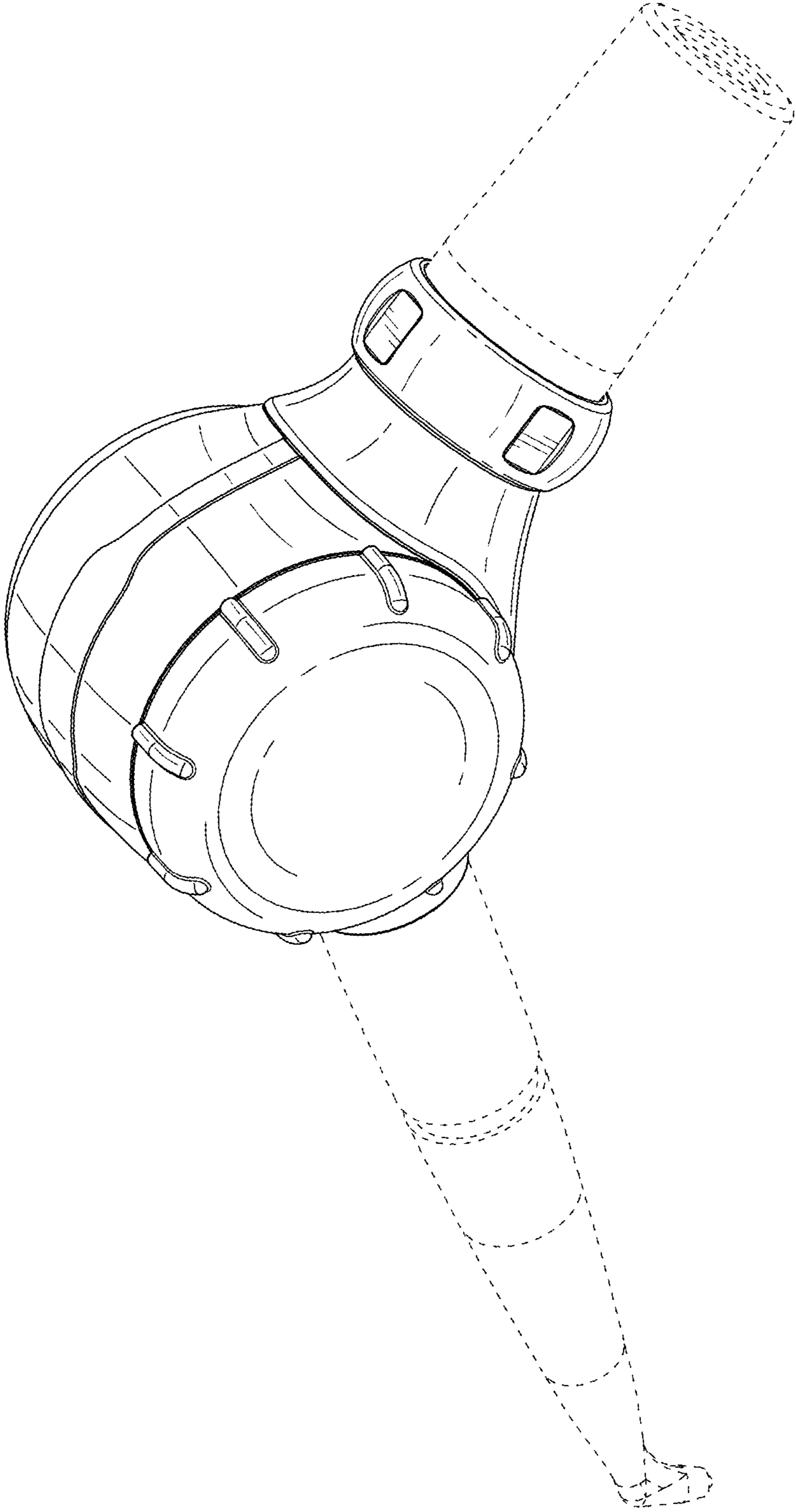


FIG. 1

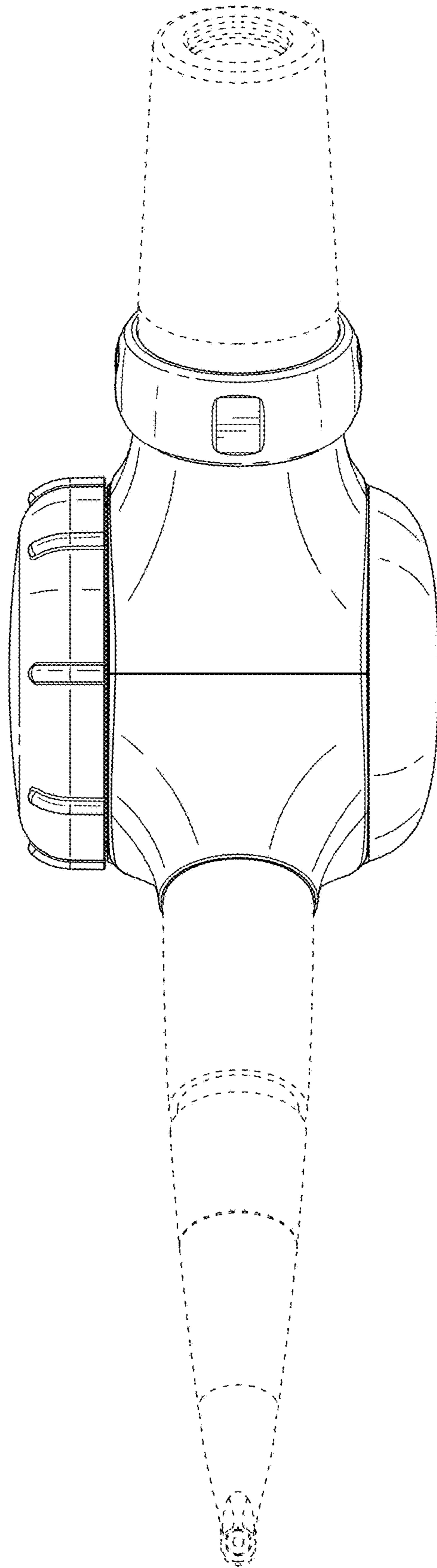


FIG. 2

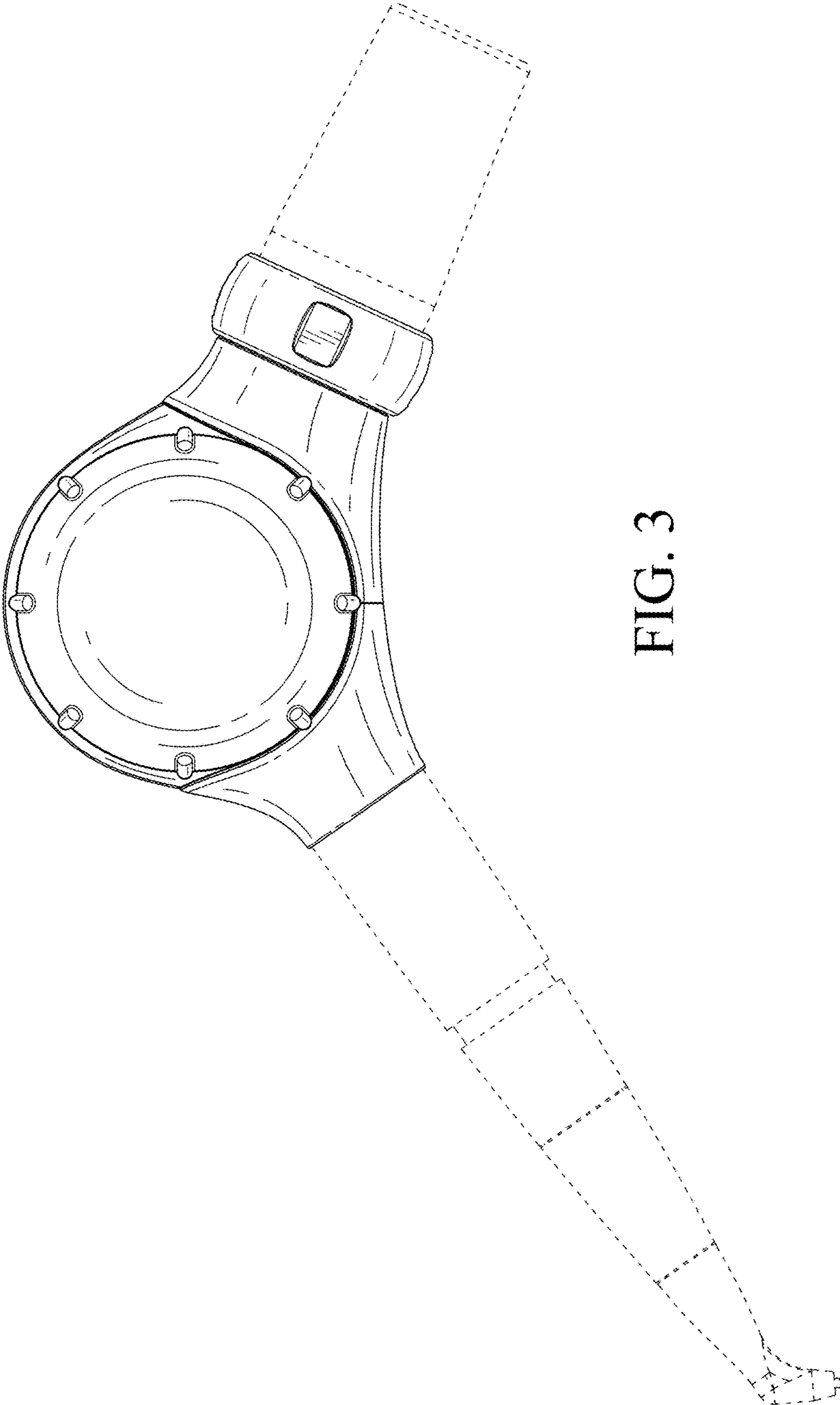


FIG. 3

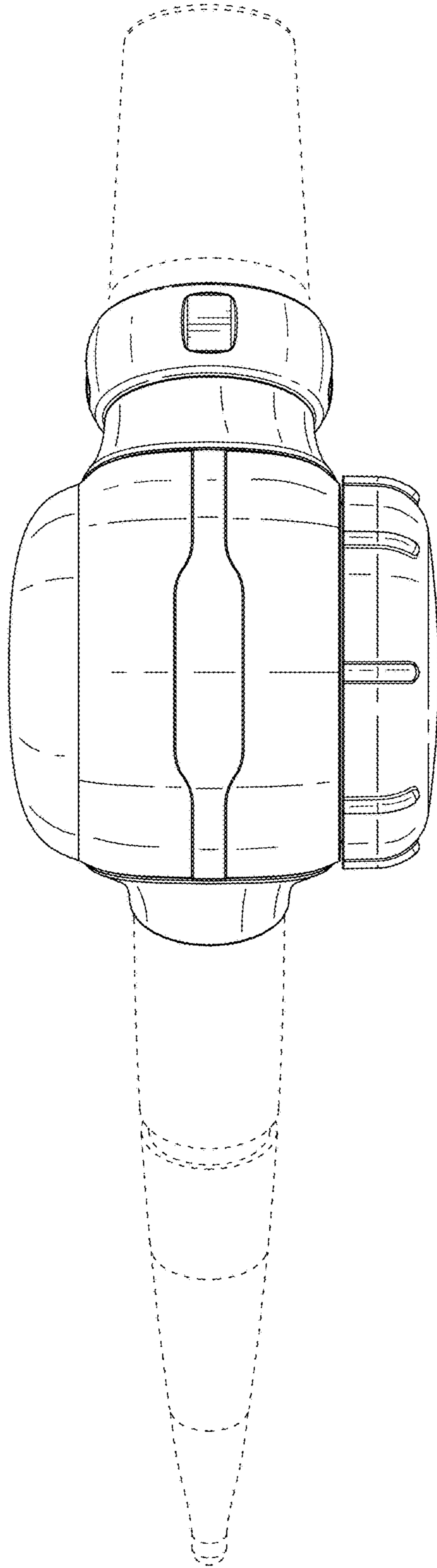


FIG. 4

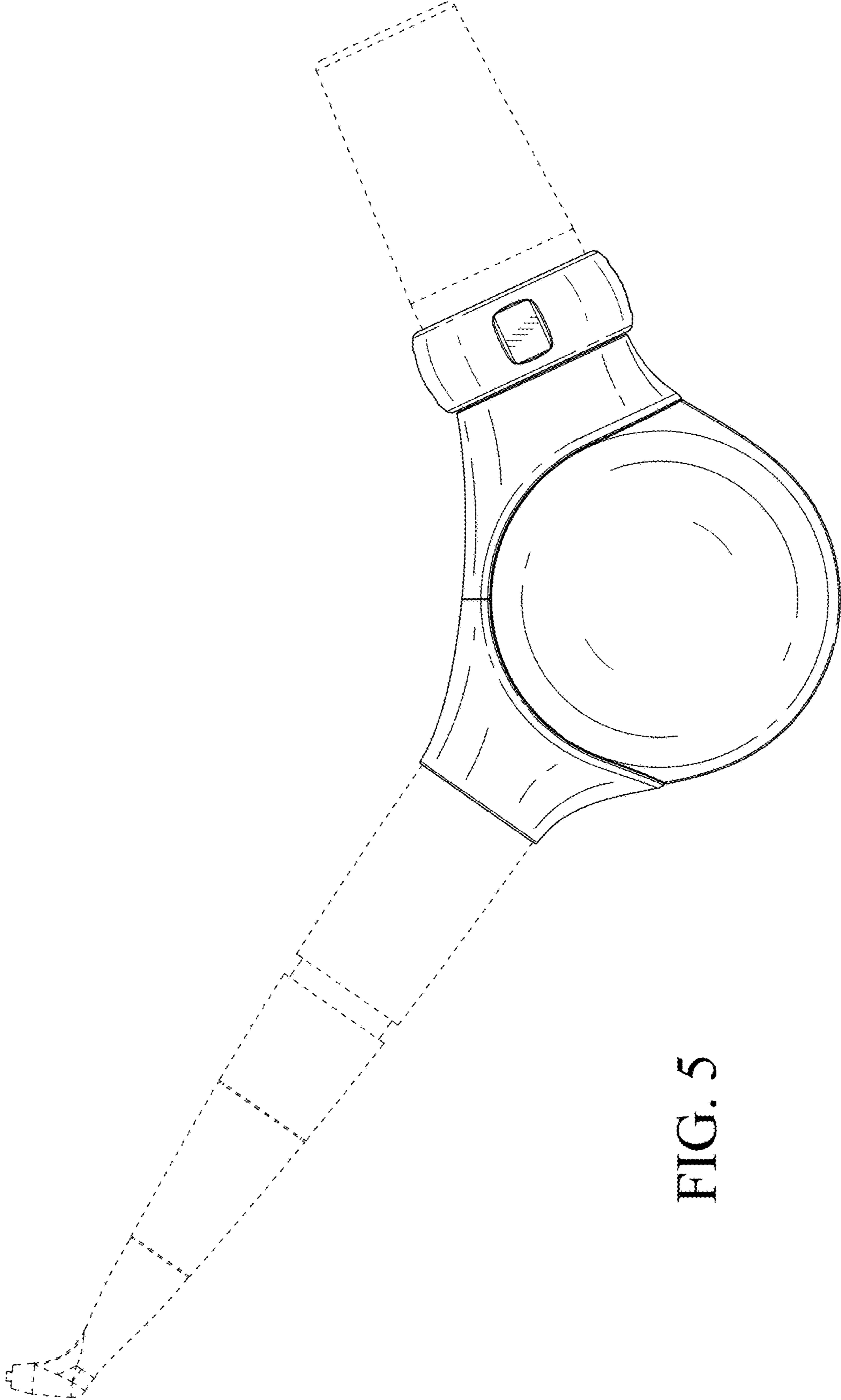


FIG. 5

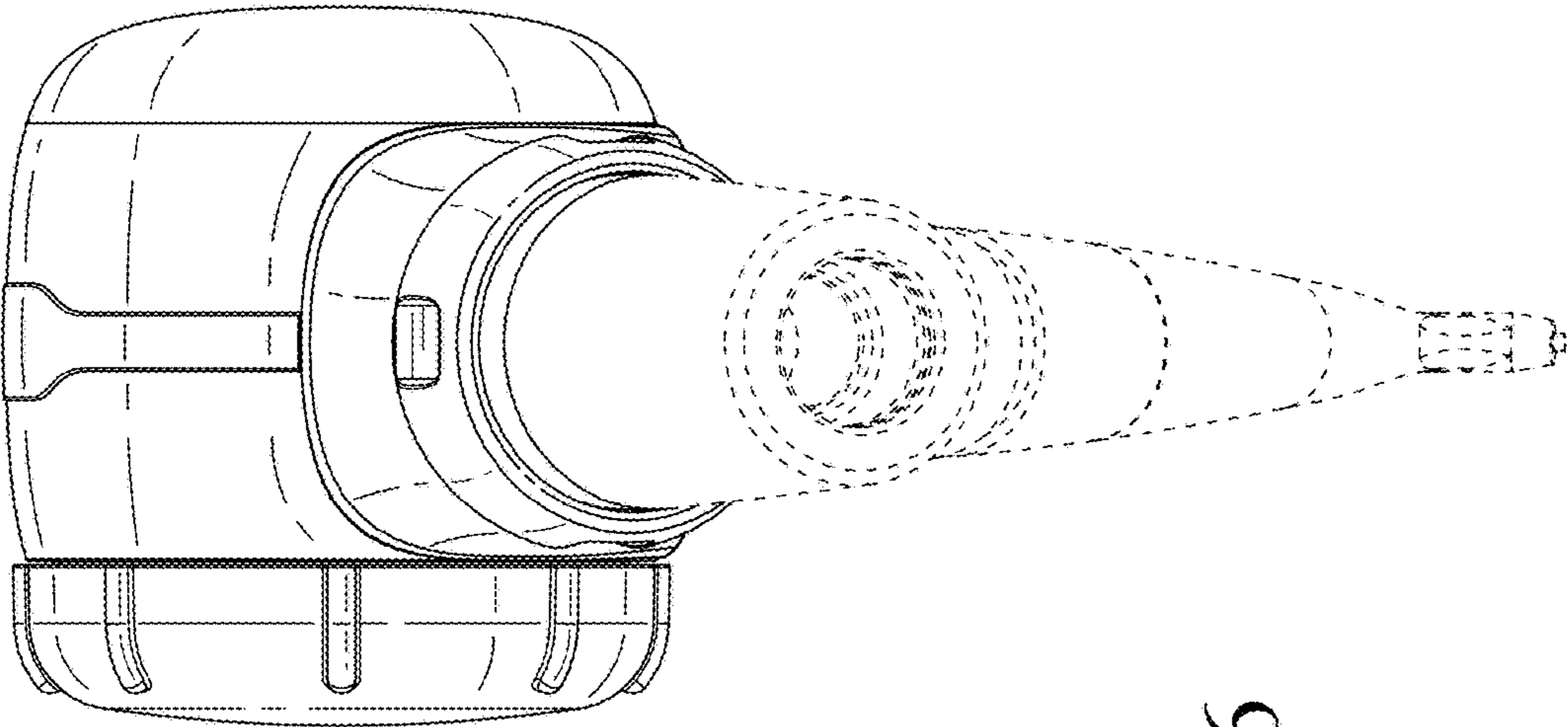


FIG. 6

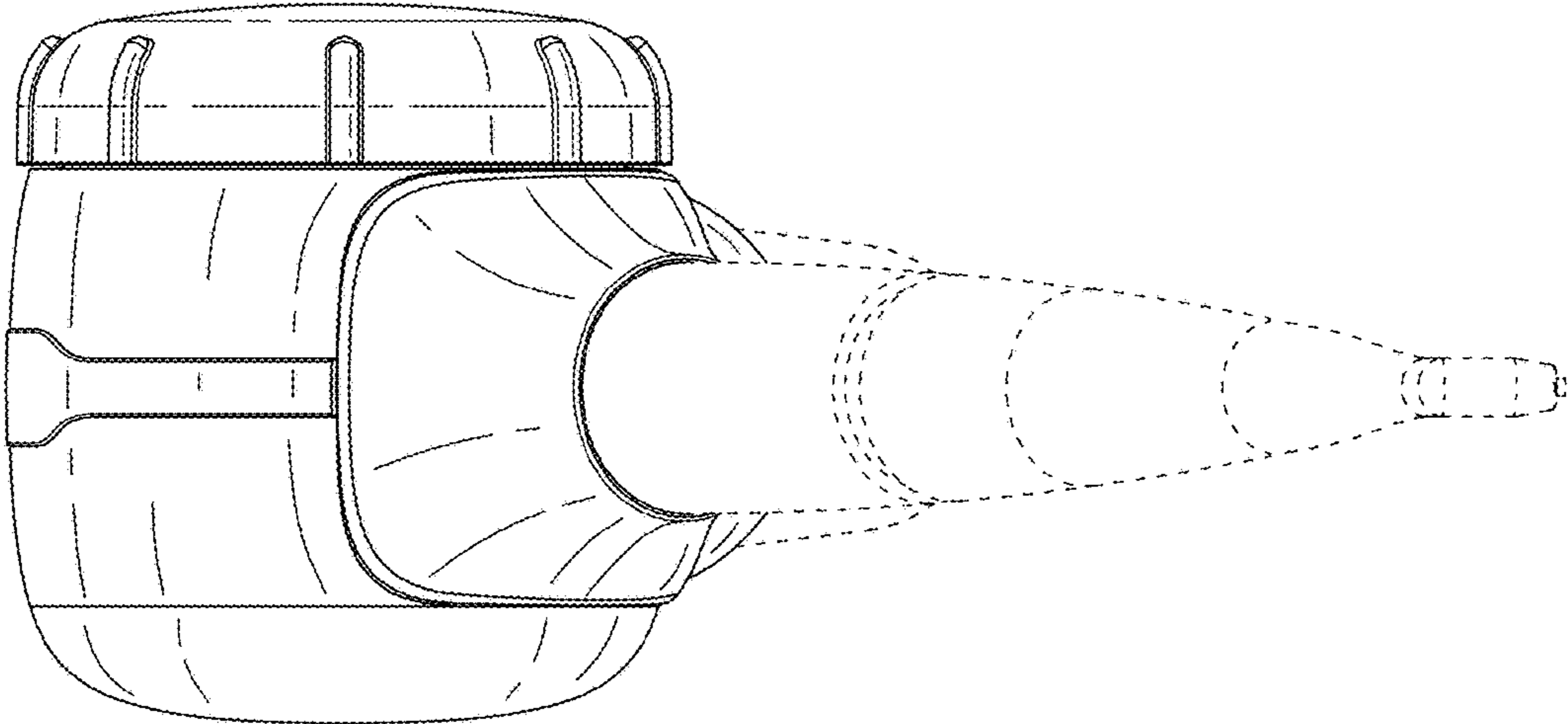


FIG. 7