



US00D825755S

(12) **United States Design Patent**  
**Pfeffer et al.**

(10) **Patent No.:** **US D825,755 S**  
(45) **Date of Patent:** **\*\* Aug. 14, 2018**

- (54) **BIPOLAR FORCEPS**
- (71) Applicant: **KARL STORZ GmbH & Co. KG**,  
Tuttlingen (DE)
- (72) Inventors: **Marian Pfeffer**, Tuttlingen (DE);  
**Martin Blocher**, Tuttlingen (DE)
- (73) Assignee: **KARL STORZ GmbH & Co. KG**,  
Tuttlingen (DE)

6,231,574 B1 *	5/2001	Posthuma	.....	A61B 18/1442	606/51
6,616,683 B1 *	9/2003	Toth	.....	A61B 17/29	606/205
D485,359 S *	1/2004	McMichael	.....	D24/143	
8,696,671 B2 *	4/2014	Solsberg	.....	A61B 17/1608	606/205
D762,302 S *	7/2016	Dunn	.....	D24/143	
2014/0135820 A1 *	5/2014	Schaller	.....	A61B 17/30	606/205
2015/0238355 A1 *	8/2015	Vezzu	.....	A61B 17/29	606/207

(\*\*) Term: **15 Years**

\* cited by examiner

(21) Appl. No.: **29/618,819**

*Primary Examiner* — Wan Laymon

(22) Filed: **Sep. 25, 2017**

(74) *Attorney, Agent, or Firm* — Muncy, Geissler, Olds & Lowe, P.C.

(30) **Foreign Application Priority Data**

Mar. 23, 2017 (EM) ..... 003819580-0007

(51) **LOC (11) Cl.** ..... **24-02**

(52) **U.S. Cl.**  
USPC ..... **D24/143**

(58) **Field of Classification Search**  
USPC ..... D24/133, 143; D28/55  
CPC ..... A61B 17/29; A61B 17/30; A61B 17/28;  
A61B 18/1442; A61B 18/1445; A61B  
2018/1462; A45D 26/0066  
See application file for complete search history.

(56) **References Cited**

**U.S. PATENT DOCUMENTS**

D267,509 S *	1/1983	Wannag	.....	D24/143
D331,800 S *	12/1992	Han	.....	D24/143
5,222,973 A *	6/1993	Sharpe	.....	A61B 17/29
				294/100

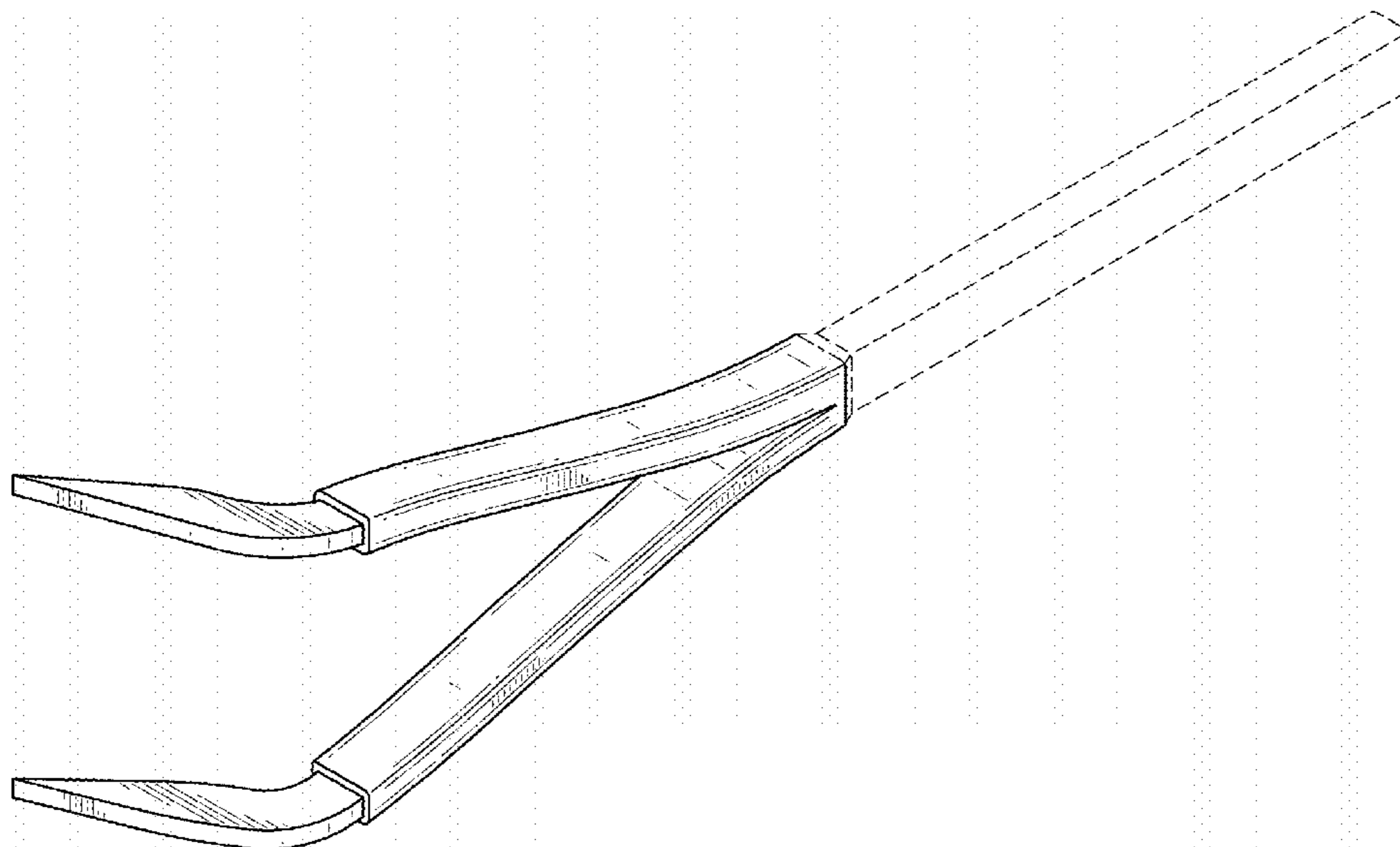
(57) **CLAIM**

The ornamental design for a bipolar forceps, as shown and described.

**DESCRIPTION**

FIG. 1 is a front perspective view of a bipolar forceps according to the present invention.  
 FIG. 2 is a front view of the bipolar forceps of FIG. 1.  
 FIG. 3 is a rear view of the bipolar forceps of FIG. 1.  
 FIG. 4 is a left side view of the bipolar forceps of FIG. 1.  
 FIG. 5 is a right side view of the bipolar forceps of FIG. 1.  
 FIG. 6 is a top view of the bipolar forceps of FIG. 1; and,  
 FIG. 7 is a bottom view of the bipolar forceps of FIG. 1.  
 The dash broken line showing of the bipolar forceps is included for the purpose of illustrating portions of the article and forms no part of the claimed design. The dash-dot-dash broken line defines the bounds of the claimed design and forms no part thereof.

**1 Claim, 7 Drawing Sheets**



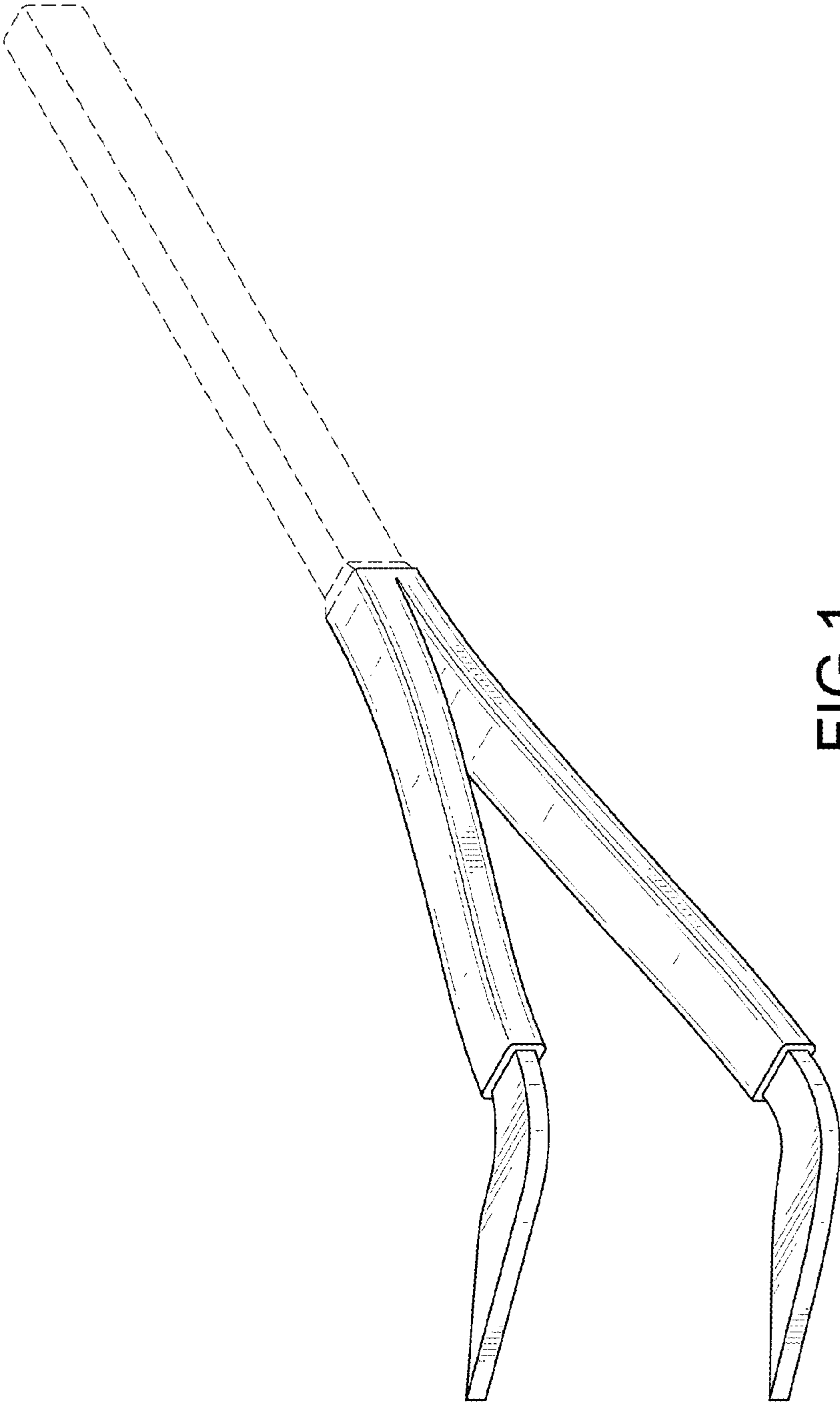


FIG.1

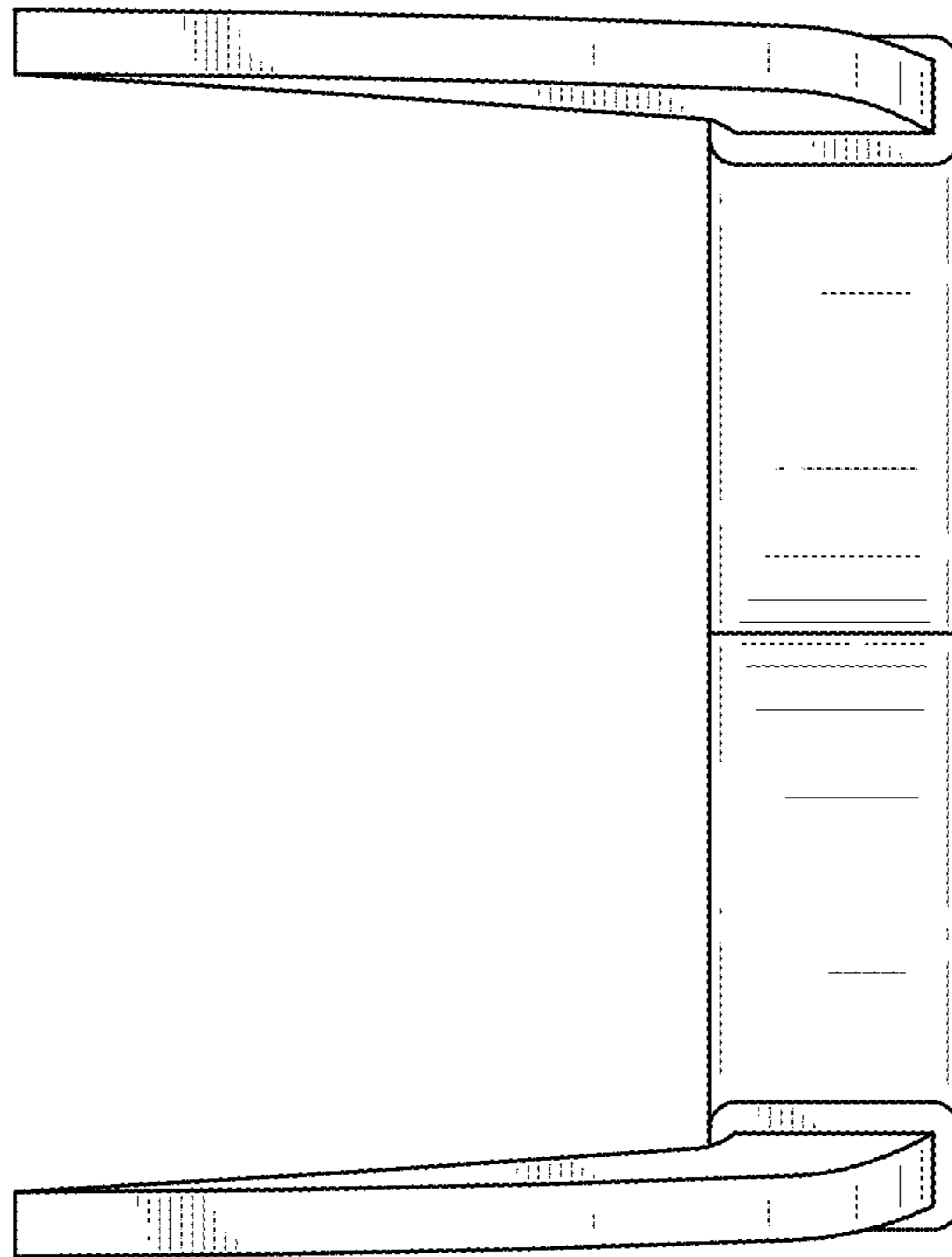


FIG.2

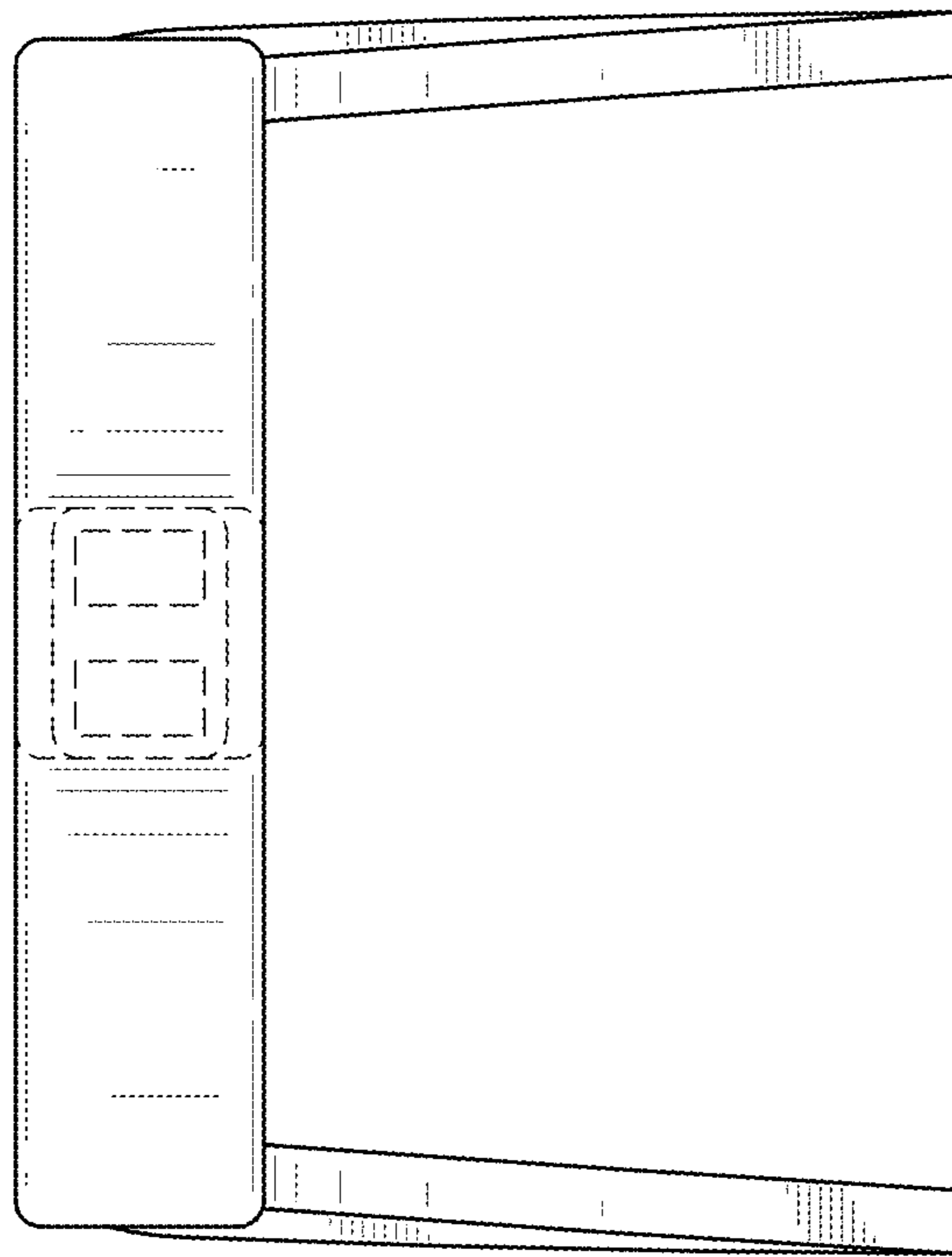


FIG.3

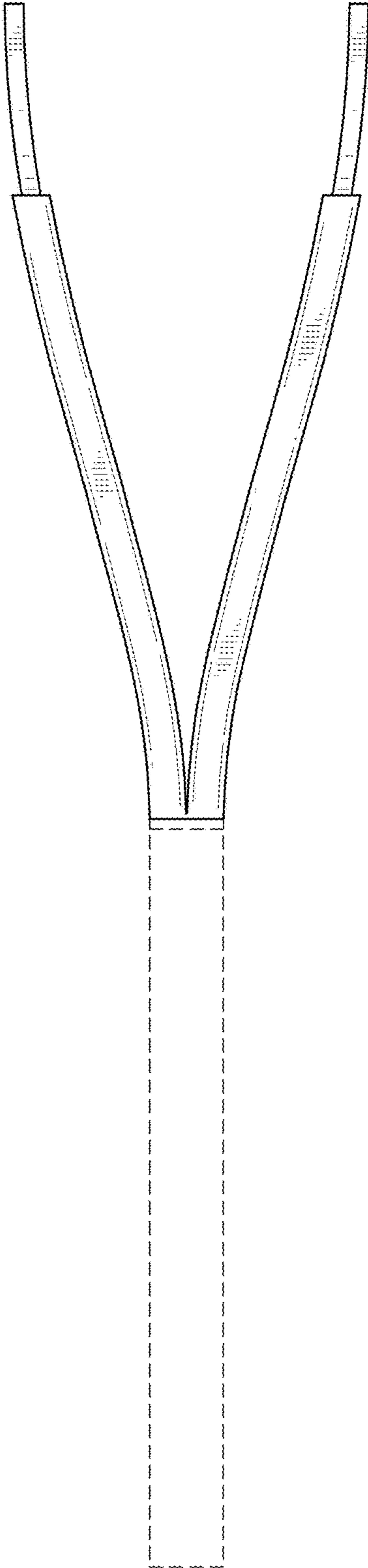


FIG.4

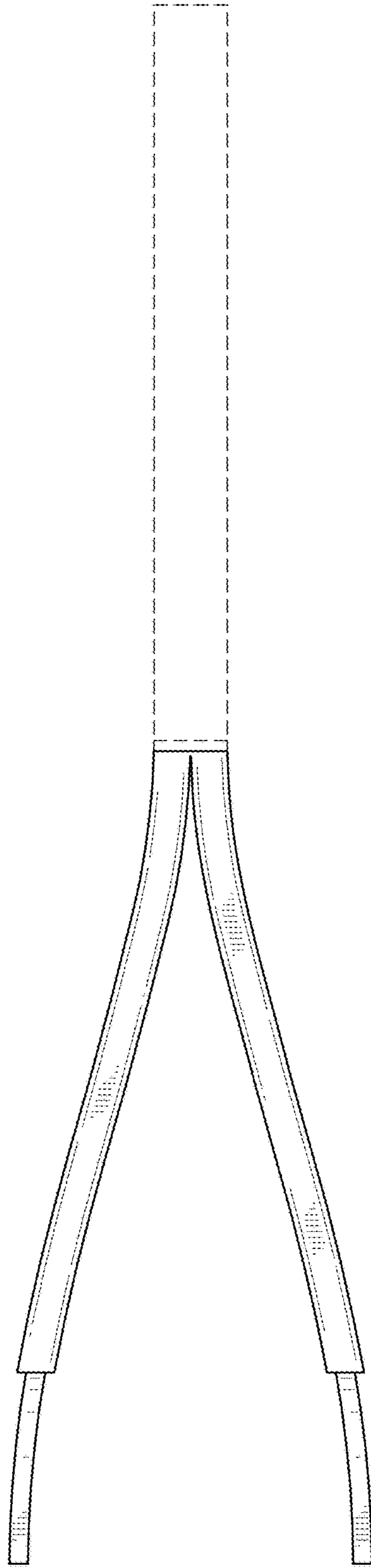


FIG.5

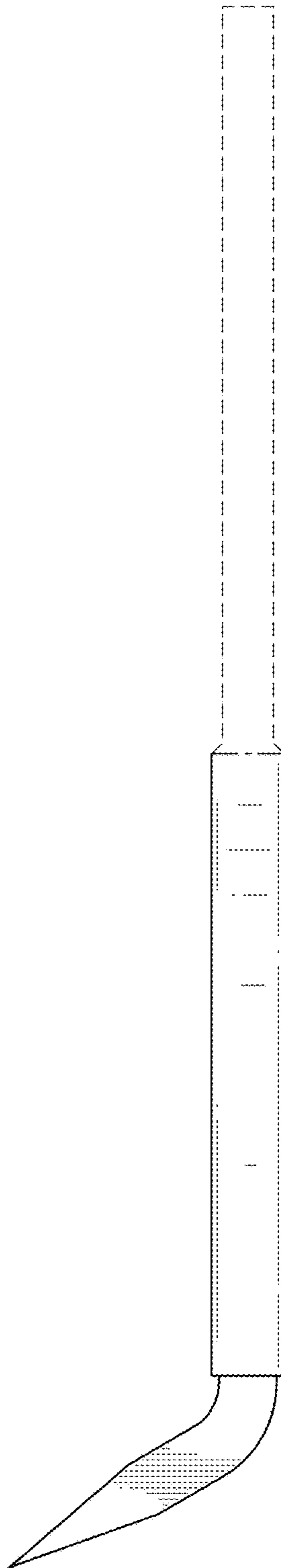


FIG.6

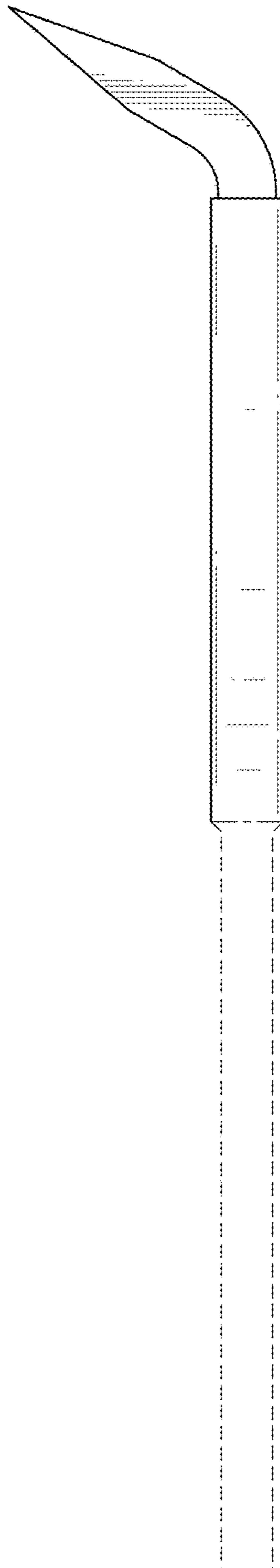


FIG.7