



US00D825754S

(12) **United States Design Patent**
Pfeffer et al.

(10) **Patent No.:** **US D825,754 S**
(45) **Date of Patent:** **** Aug. 14, 2018**

- (54) **BIPOLAR FORCEPS**
- (71) Applicant: **KARL STORZ GmbH & Co. KG**,
Tuttlingen (DE)
- (72) Inventors: **Marian Pfeffer**, Tuttlingen (DE);
Martin Blocher, Tuttlingen (DE)
- (73) Assignee: **KARL STORZ GmbH & Co. KG**,
Tuttlingen (DE)
- (**) Term: **15 Years**
- (21) Appl. No.: **29/618,812**
- (22) Filed: **Sep. 25, 2017**
- (30) **Foreign Application Priority Data**
Mar. 23, 2017 (EM) 003819580-0003
Mar. 23, 2017 (EM) 003819580-0004
- (51) **LOC (11) Cl.** **24-02**
- (52) **U.S. Cl.**
USPC **D24/143**
- (58) **Field of Classification Search**
USPC D24/133, 143; D28/55
CPC A61B 17/29; A61B 17/30; A61B 17/28;
A61B 18/1442; A61B 18/1445; A61B
2018/1462; A45D 26/0066
See application file for complete search history.
- (56) **References Cited**
U.S. PATENT DOCUMENTS
D267,509 S * 1/1983 Wannag D24/143
D331,800 S * 12/1992 Han D24/143
5,222,973 A * 6/1993 Sharpe A61B 17/29
294/100

6,231,574 B1 * 5/2001 Posthuma A61B 18/1442
606/51
6,616,683 B1 * 9/2003 Toth A61B 17/29
606/205
D485,359 S * 1/2004 McMichael D24/143

(Continued)

Primary Examiner — Wan Laymon
(74) *Attorney, Agent, or Firm* — Muncy, Geissler, Olds & Lowe, P.C.

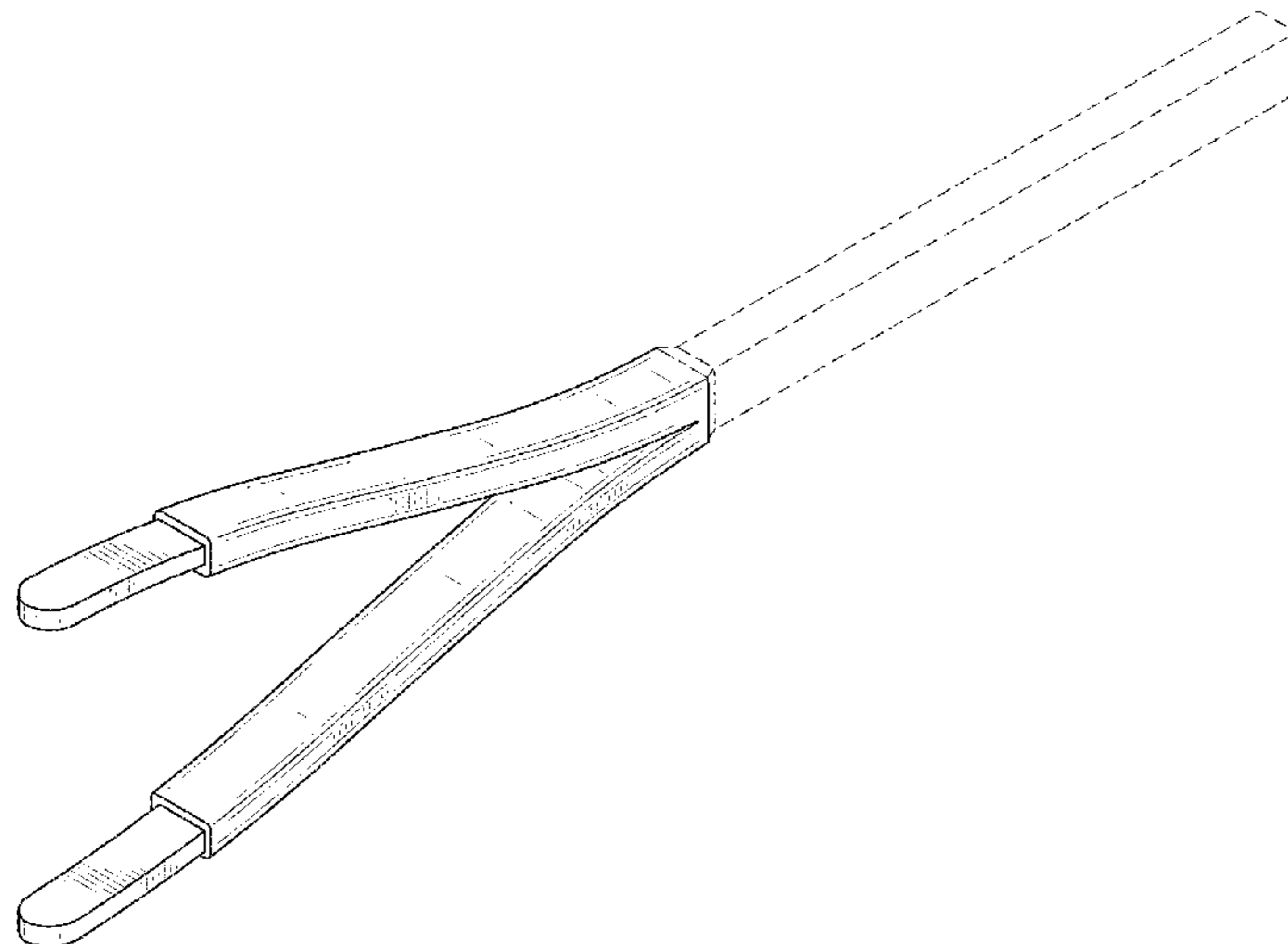
(57) **CLAIM**

The ornamental design for a bipolar forceps, as shown and described.

DESCRIPTION

FIG. 1 is a front perspective view of a bipolar forceps according to the present invention.
FIG. 2 is a front view of the bipolar forceps of FIG. 1.
FIG. 3 is a rear view of the bipolar forceps of FIG. 1.
FIG. 4 is a left side view of the bipolar forceps of FIG. 1.
FIG. 5 is a right side view of the bipolar forceps of FIG. 1.
FIG. 6 is a top view of the bipolar forceps of FIG. 1.
FIG. 7 is a bottom view of the bipolar forceps of FIG. 1.
FIG. 8 is a front perspective view of the bipolar forceps according to the present invention.
FIG. 9 is an enlarged front view of the bipolar forceps of FIG. 1.
FIG. 10 is an enlarged rear view of the bipolar forceps of FIG. 1.
FIG. 11 is a left side view of the bipolar forceps of FIG. 1.
FIG. 12 is a right side view of the bipolar forceps of FIG. 1.
FIG. 13 is a top view of the bipolar forceps of FIG. 1; and, FIG. 14 is a bottom view of the bipolar forceps of FIG. 1.
The dash broken line showing of the bipolar forceps is included for the purpose of illustrating portions of the article and forms no part of the claimed design. The dash-dot-dash broken line defines the bounds of the claimed design and forms no part thereof.

1 Claim, 14 Drawing Sheets



(56)

References Cited

U.S. PATENT DOCUMENTS

8,696,671 B2 *	4/2014	Solsberg	A61B 17/1608	606/205
D762,302 S *	7/2016	Dunn	D24/143	
2014/0135820 A1 *	5/2014	Schaller	A61B 17/30	606/205
2015/0238355 A1 *	8/2015	Vezzu	A61B 17/29	606/207

* cited by examiner

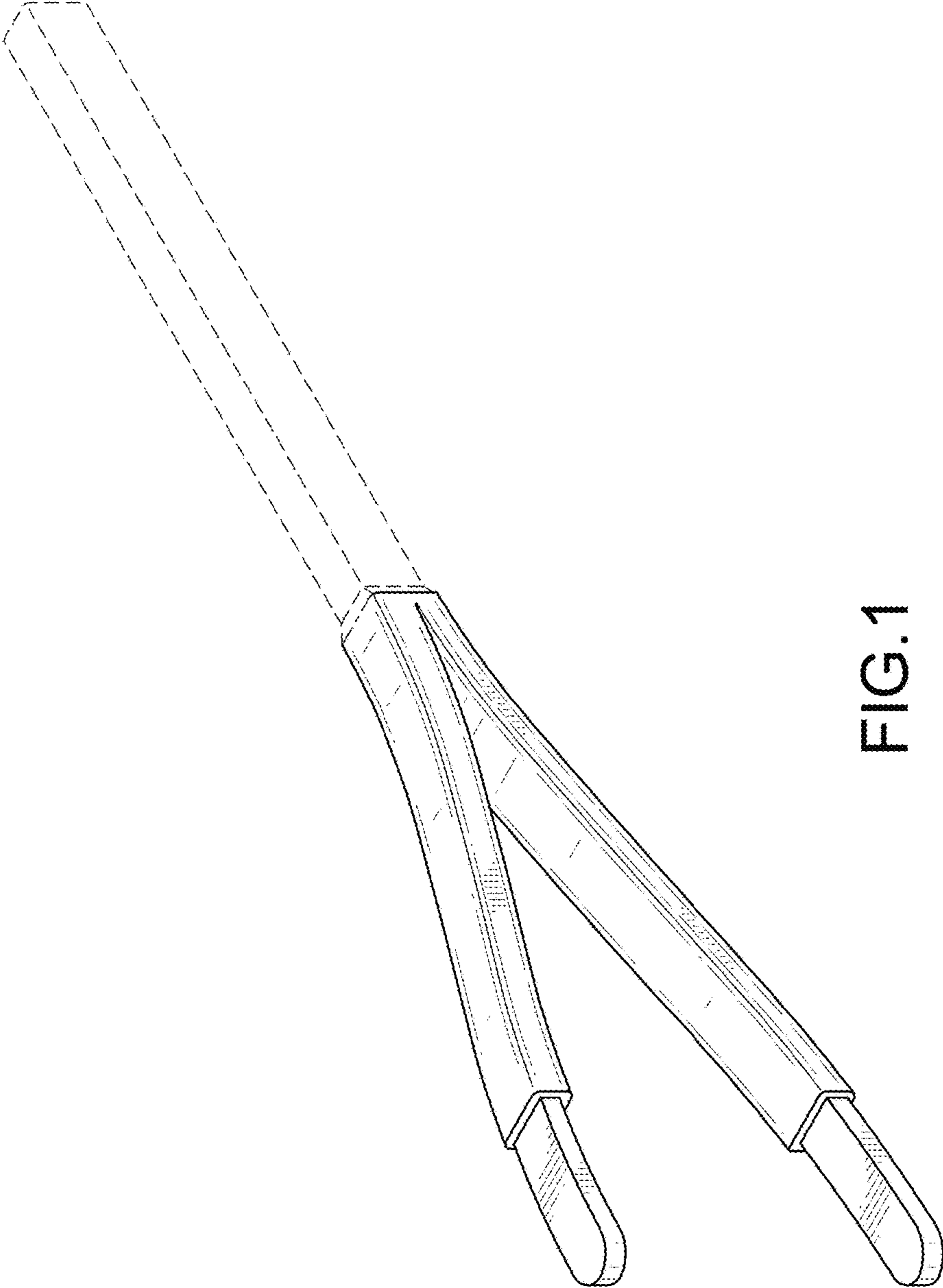


FIG.1

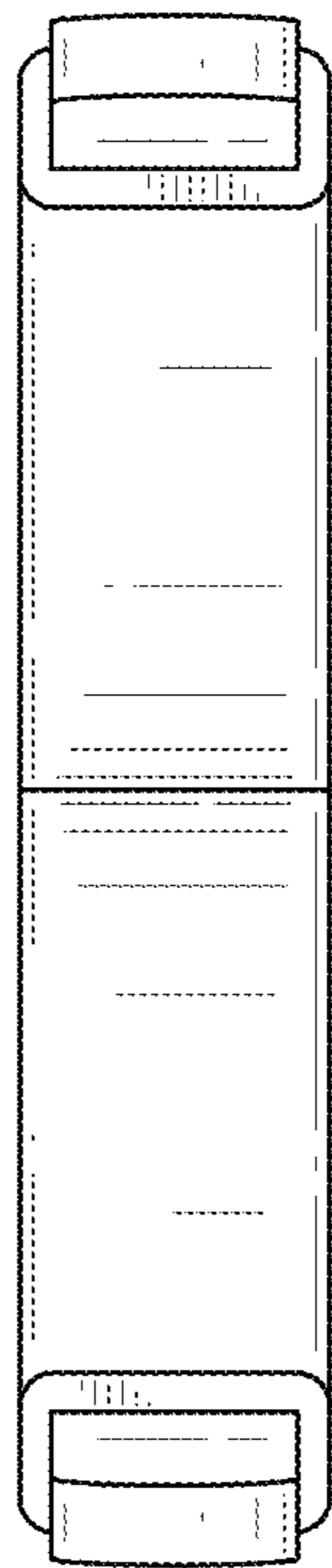


FIG.2

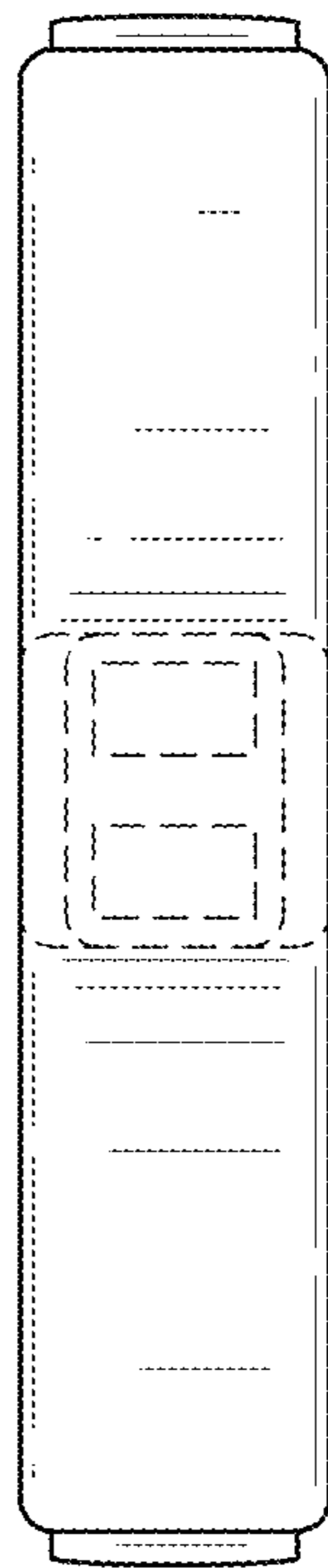


FIG.3

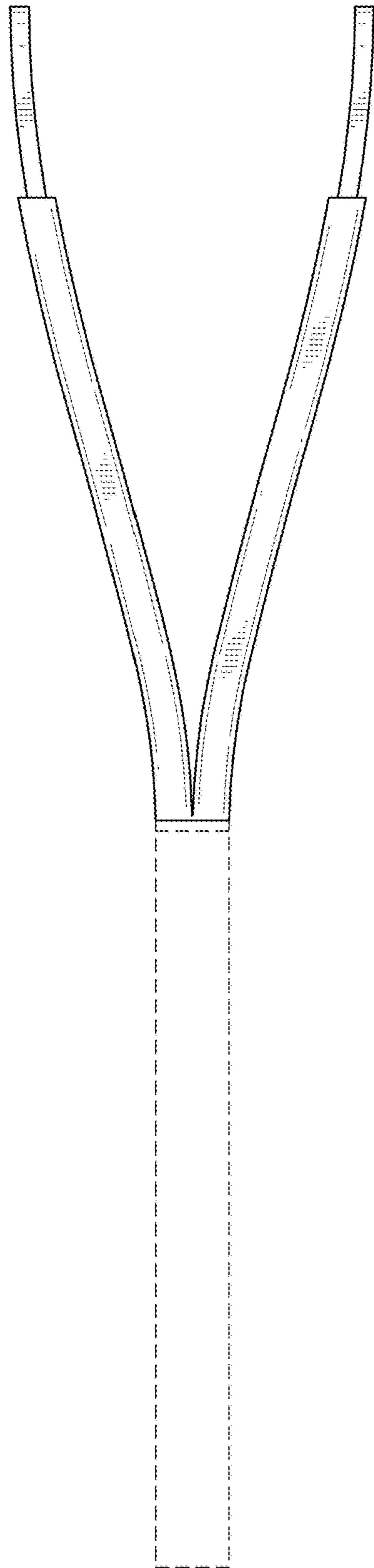


FIG.4

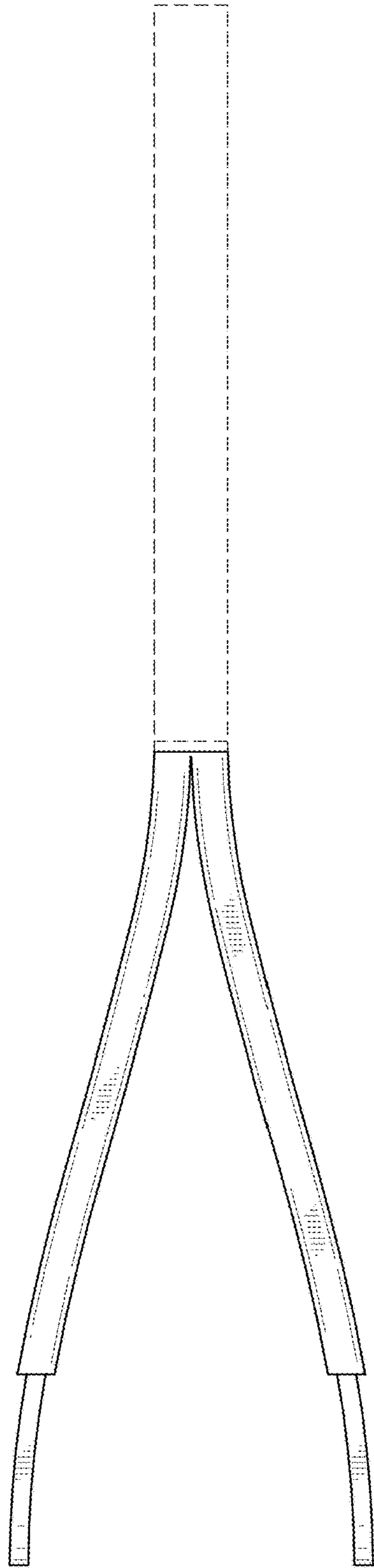


FIG. 5

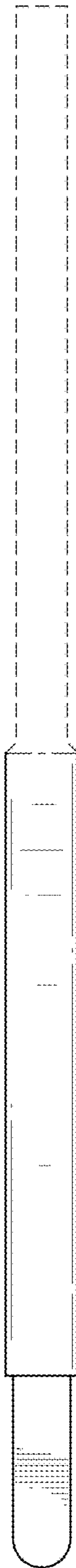


FIG.6



FIG. 7

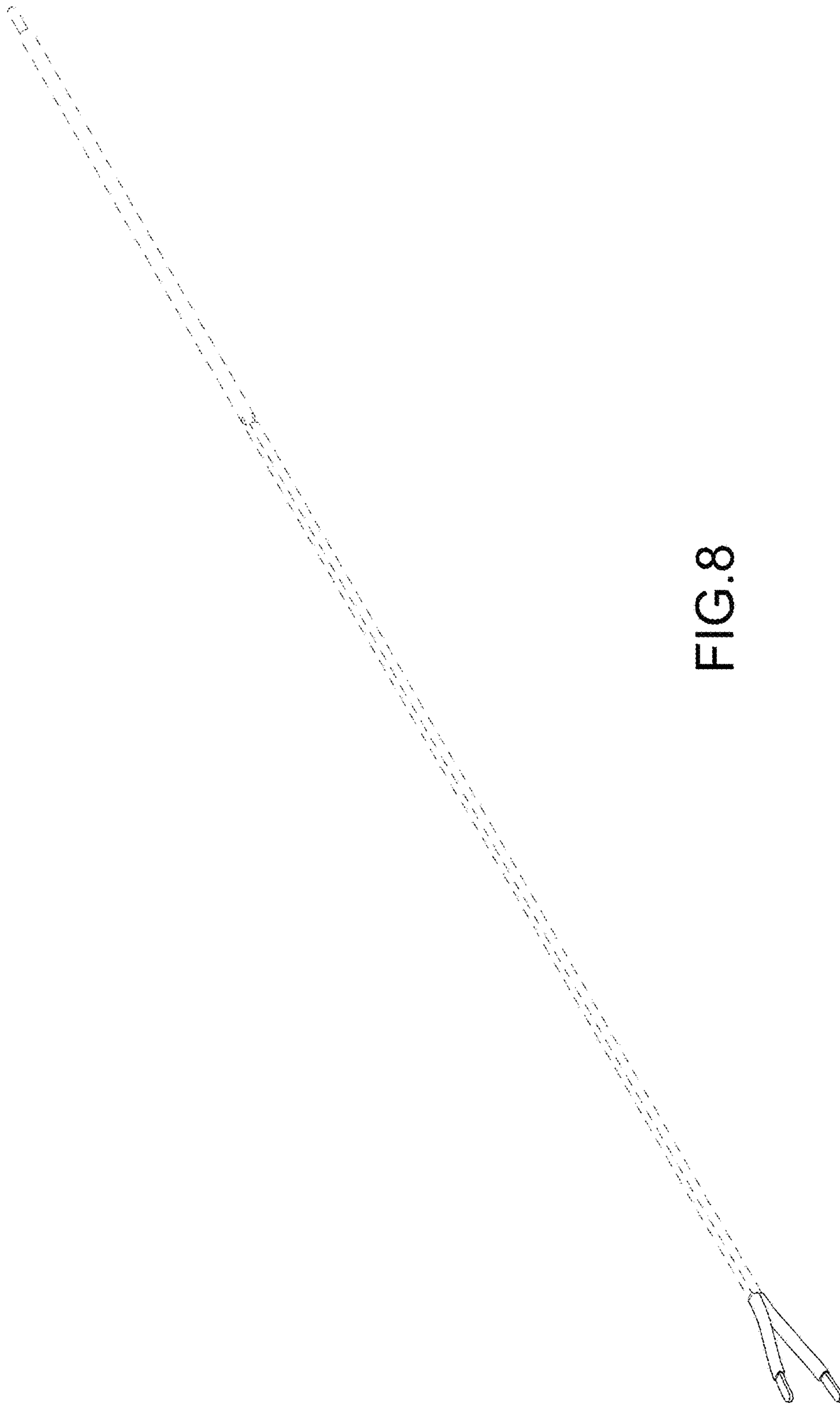


FIG.8

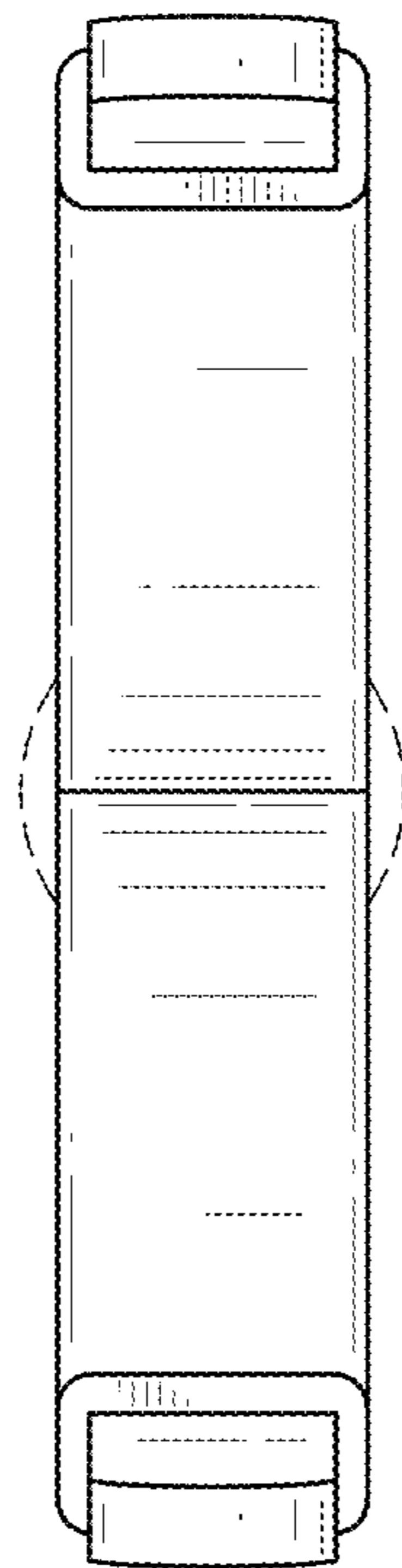


FIG.9

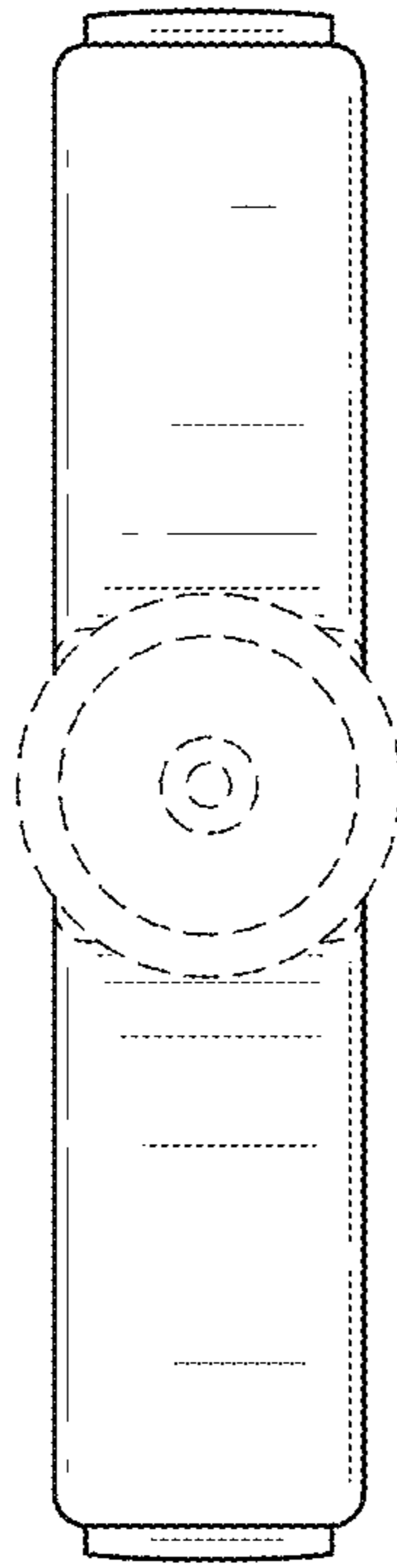


FIG.10



FIG.11

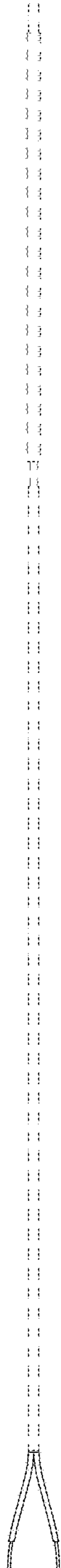


FIG.12

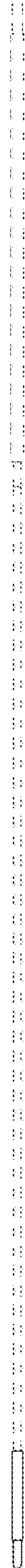


FIG.13

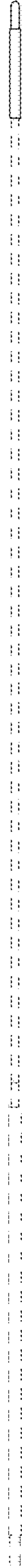


FIG.14