



US00D825753S

(12) **United States Design Patent**  
**Pfeffer et al.**

(10) **Patent No.:** **US D825,753 S**

(45) **Date of Patent:** **\*\* Aug. 14, 2018**

(54) **BIPOLAR FORCEPS**

(71) Applicant: **KARL STORZ GmbH & Co. KG,**  
Tuttlingen (DE)

(72) Inventors: **Marian Pfeffer,** Tuttlingen (DE);  
**Martin Blocher,** Tuttlingen (DE)

(73) Assignee: **KARL STORZ GmbH & Co. KG,**  
Tuttlingen (DE)

(\*\*) Term: **15 Years**

(21) Appl. No.: **29/618,810**

(22) Filed: **Sep. 25, 2017**

(30) **Foreign Application Priority Data**

Mar. 23, 2017 (EM) ..... 003819580-0001  
Mar. 23, 2017 (EM) ..... 003819580-0002

(51) **LOC (11) Cl.** ..... **24-02**

(52) **U.S. Cl.**  
USPC ..... **D24/143**

(58) **Field of Classification Search**  
USPC ..... D24/133, 143  
CPC ..... A61B 17/28-17/30; A61B 18/1442; A61B  
18/1445; A61B 2018/126  
See application file for complete search history.

(56) **References Cited**

**U.S. PATENT DOCUMENTS**

5,152,778 A \* 10/1992 Bales, Jr. .... A61B 17/29  
403/74  
7,846,161 B2 \* 12/2010 Dumbauld ..... A61B 18/1442  
606/45  
8,007,505 B2 \* 8/2011 Weller ..... A61B 17/29  
227/175.1

8,821,444 B2 \* 9/2014 Scheller ..... A61B 17/29  
604/164.02

D753,300 S \* 4/2016 Di Spiezio Sardo ..... D24/143

9,700,335 B2 \* 7/2017 Reinauer ..... A61B 17/29

2017/0348043 A1 \* 12/2017 Wang ..... A61B 18/1445

\* cited by examiner

*Primary Examiner* — Wan Laymon

(74) *Attorney, Agent, or Firm* — Muncy, Geissler, Olds &  
Lowe, P.C.

(57) **CLAIM**

The ornamental design for a bipolar forceps, as shown and  
described.

**DESCRIPTION**

FIG. 1 is a front perspective view of a bipolar forceps  
according to the present invention.

FIG. 2 is a front view of the bipolar forceps of FIG. 1.

FIG. 3 is a rear view of the bipolar forceps of FIG. 1.

FIG. 4 is a left side view of the bipolar forceps of FIG. 1.

FIG. 5 is a right side view of the bipolar forceps of FIG. 1.

FIG. 6 is a top view of the bipolar forceps of FIG. 1.

FIG. 7 is a bottom view of the bipolar forceps of FIG. 1.

FIG. 8 is a front perspective view of the bipolar forceps  
according to the present invention.

FIG. 9 is a front view of the bipolar forceps of FIG. 1.

FIG. 10 is a rear view of the bipolar forceps of FIG. 1.

FIG. 11 is a left side view of the bipolar forceps of FIG. 1.

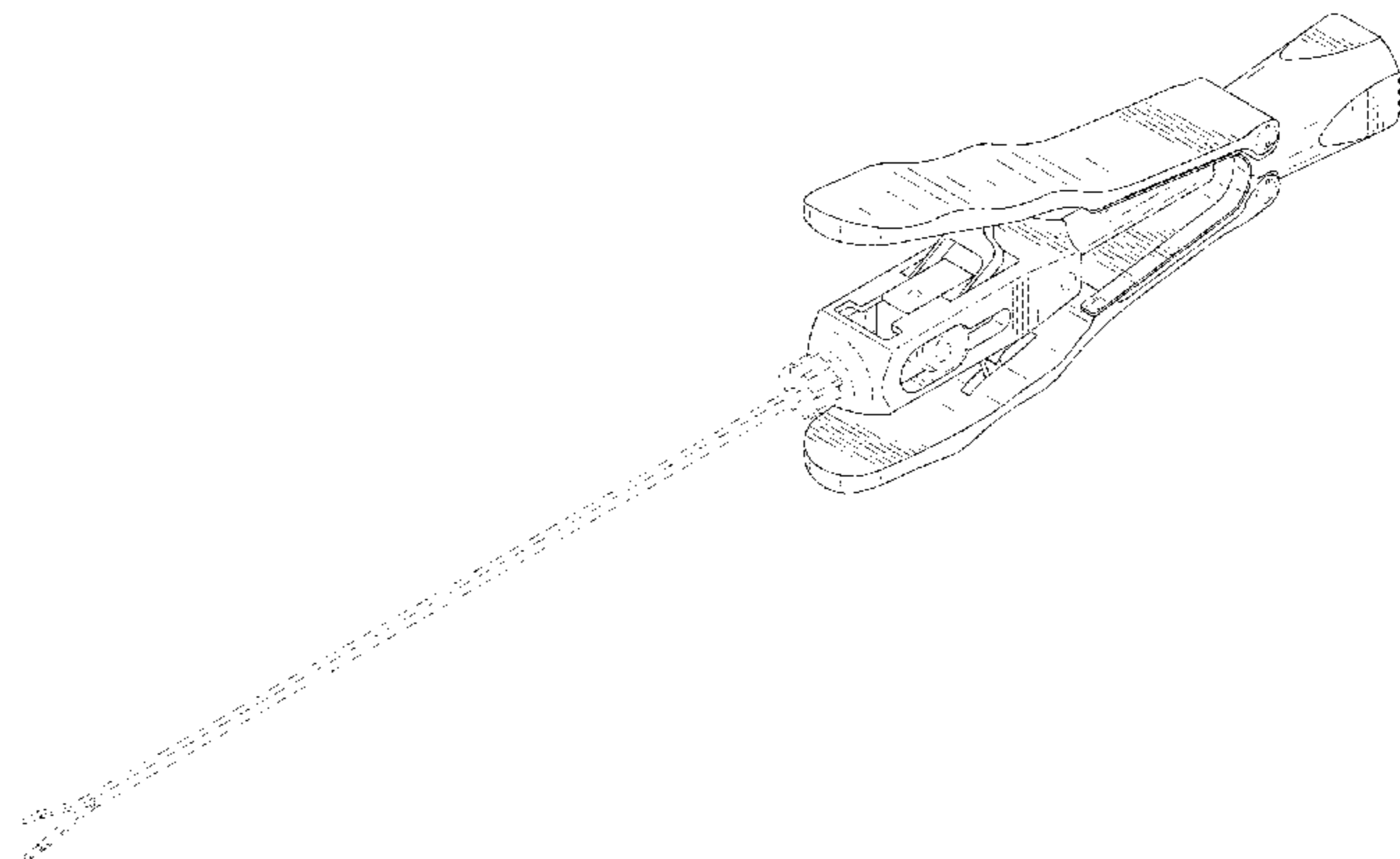
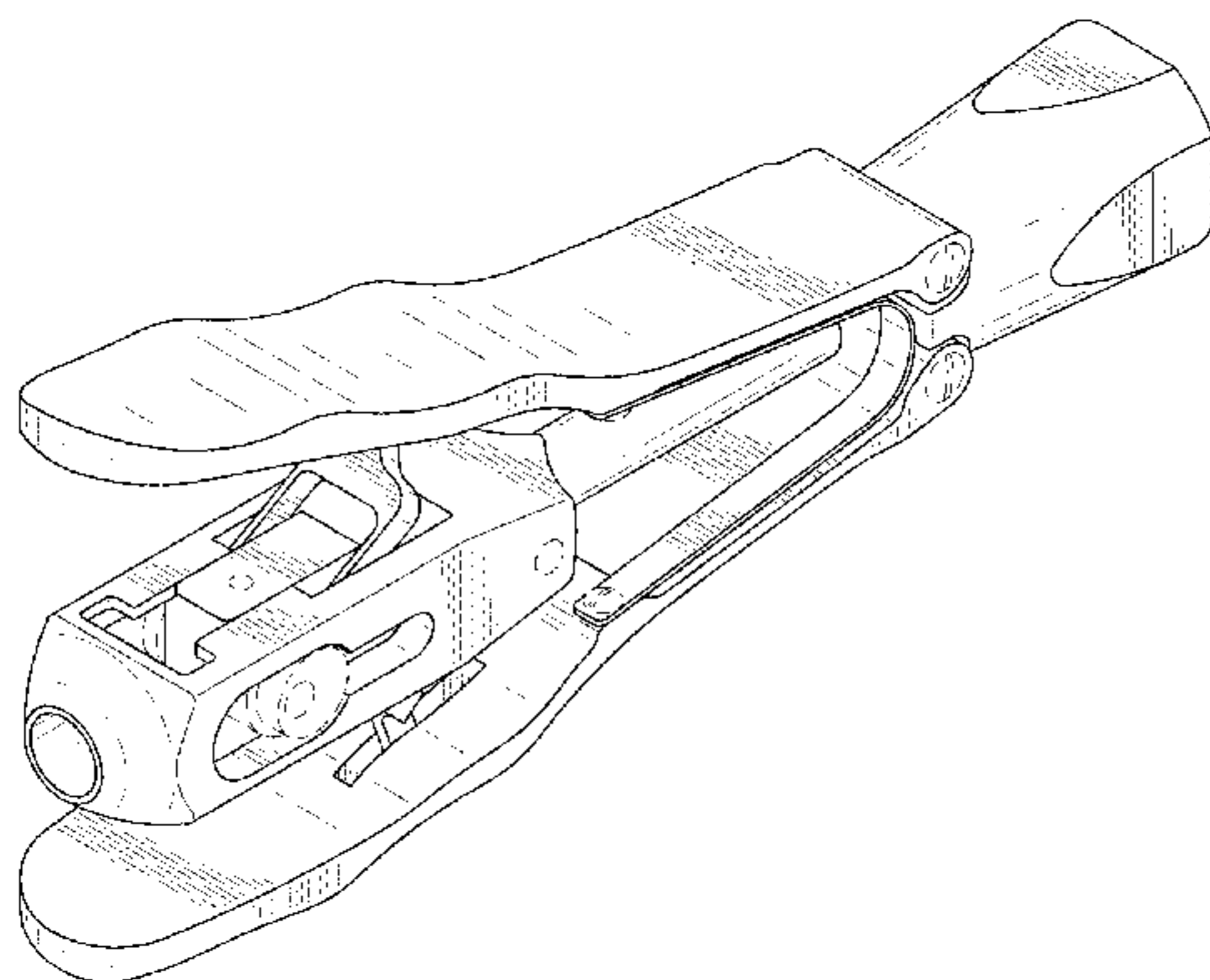
FIG. 12 is a right side view of the bipolar forceps of FIG. 1.

FIG. 13 is a top view of the bipolar forceps of FIG. 1; and,

FIG. 14 is a bottom view of the bipolar forceps of FIG. 1.

The dashed lines illustrate environment that does not form a  
part of the present invention, and no claim is made to the  
material illustrated with dashed lines.

**1 Claim, 14 Drawing Sheets**



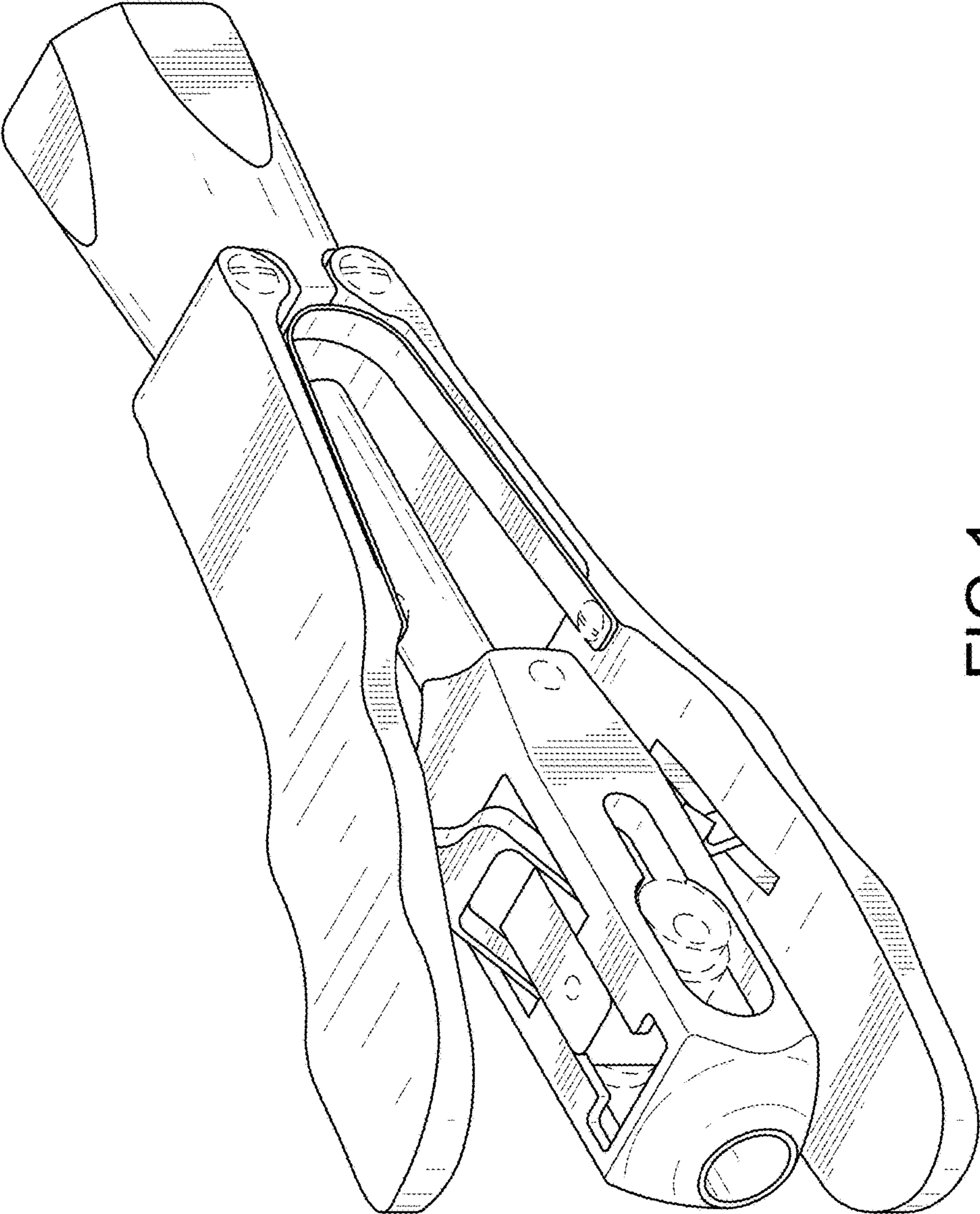


FIG.1

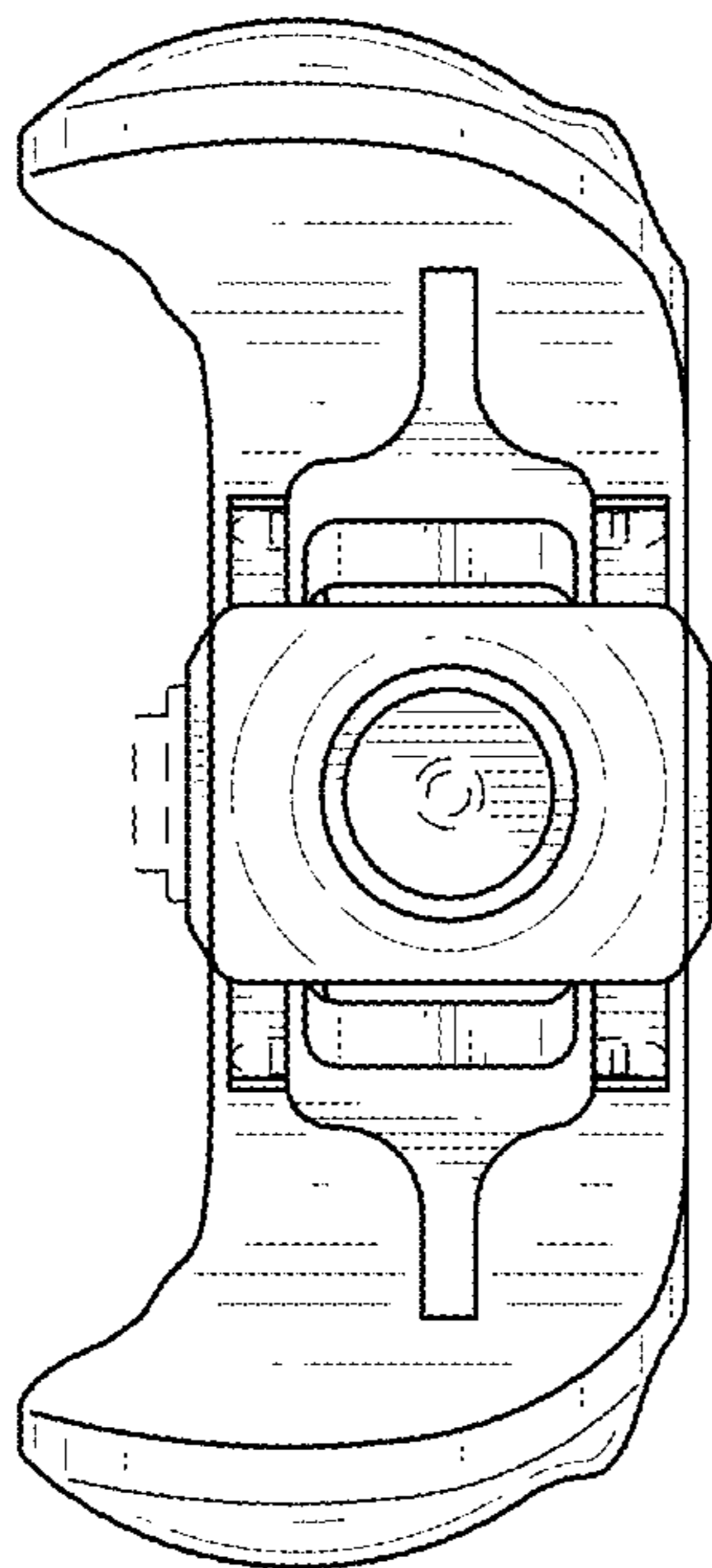


FIG.2

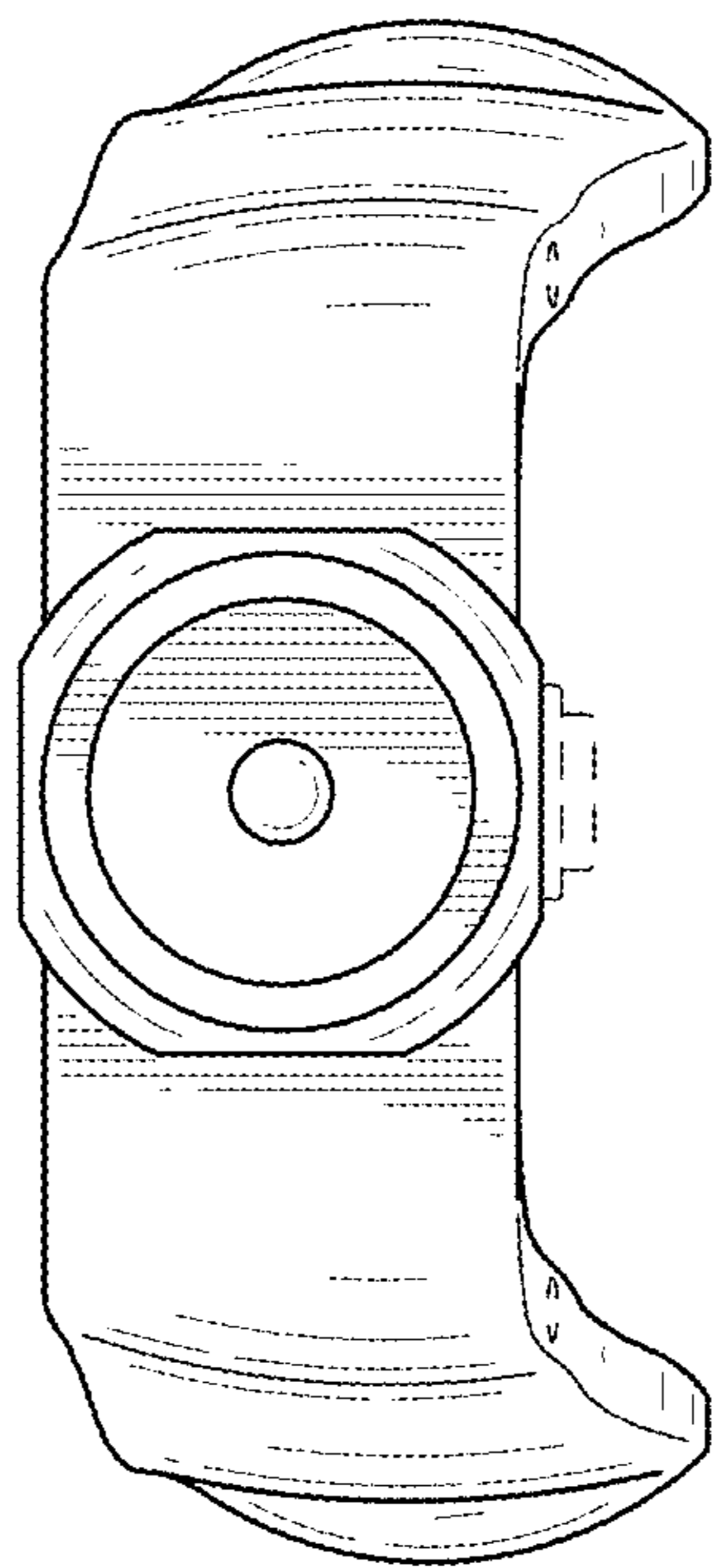


FIG.3

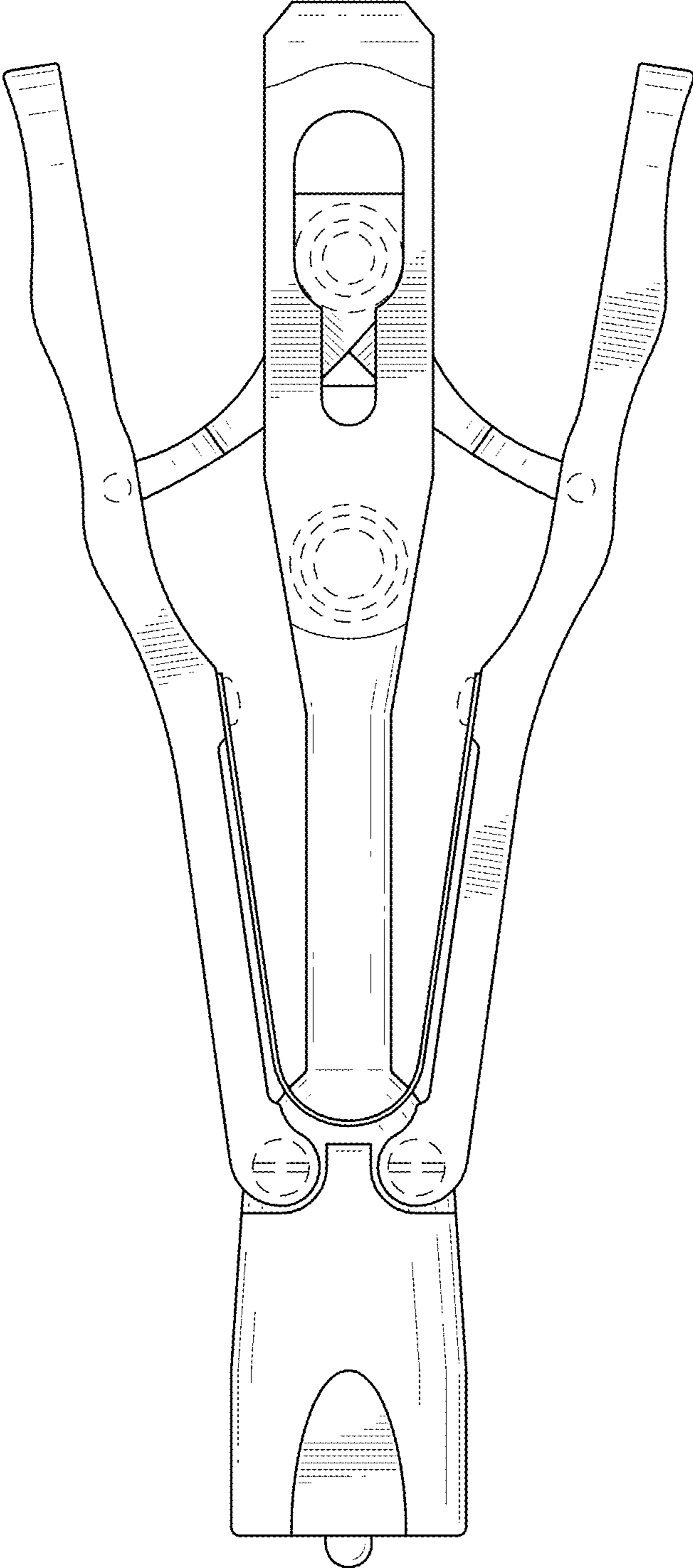


FIG.4

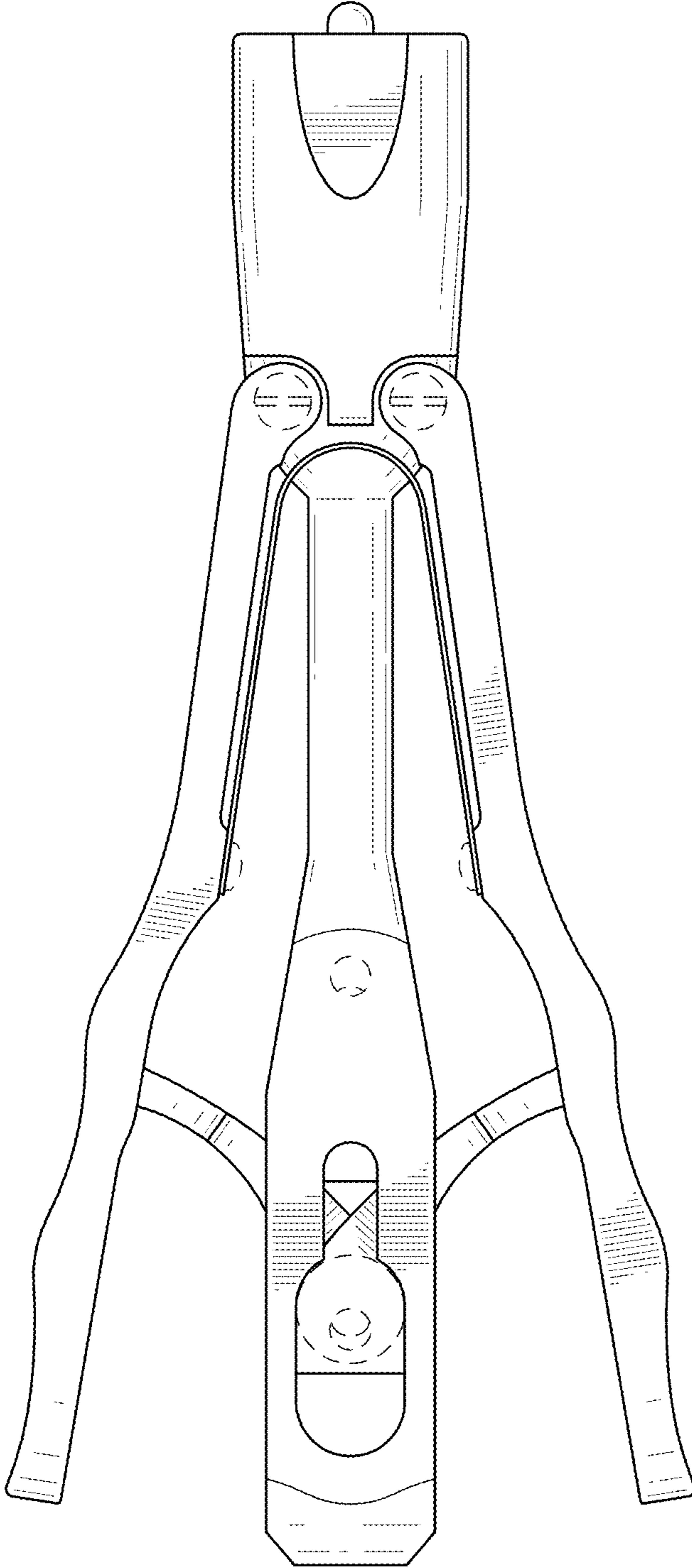


FIG. 5

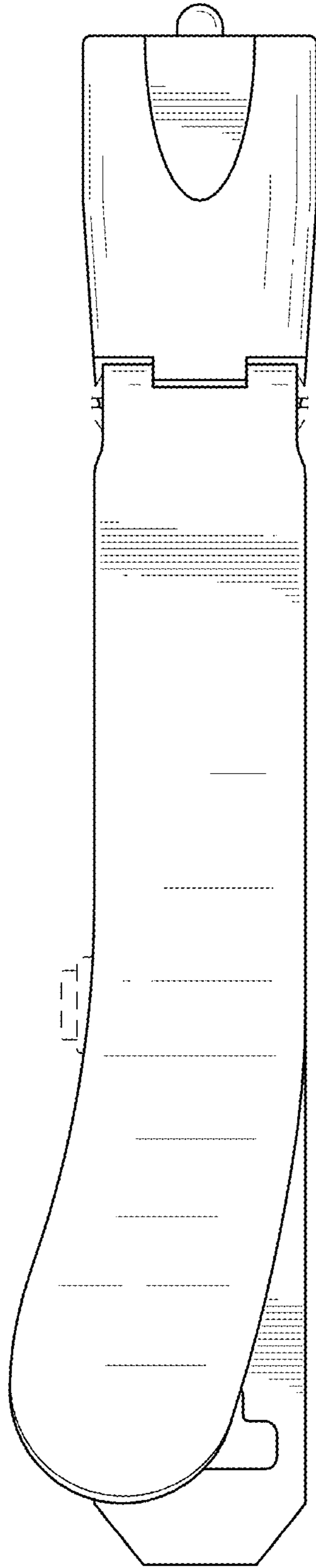


FIG.6

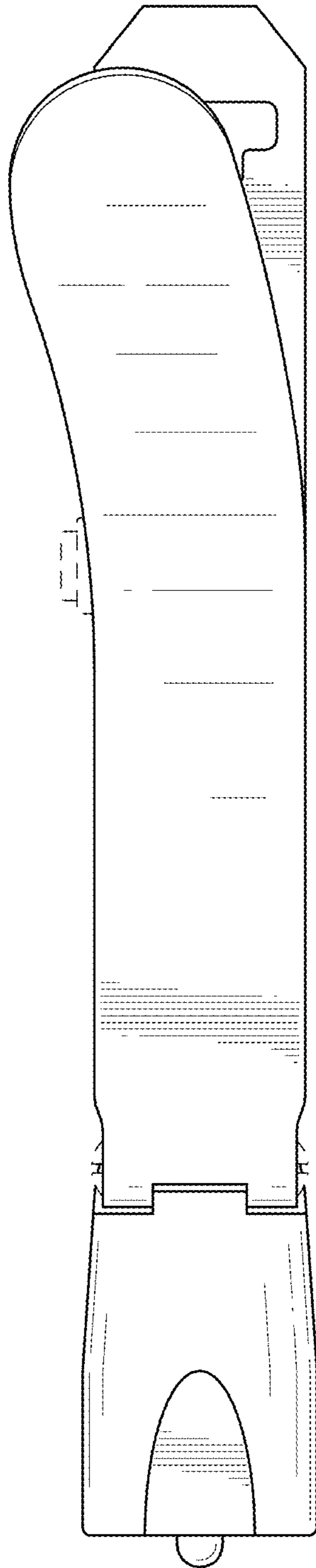


FIG.7



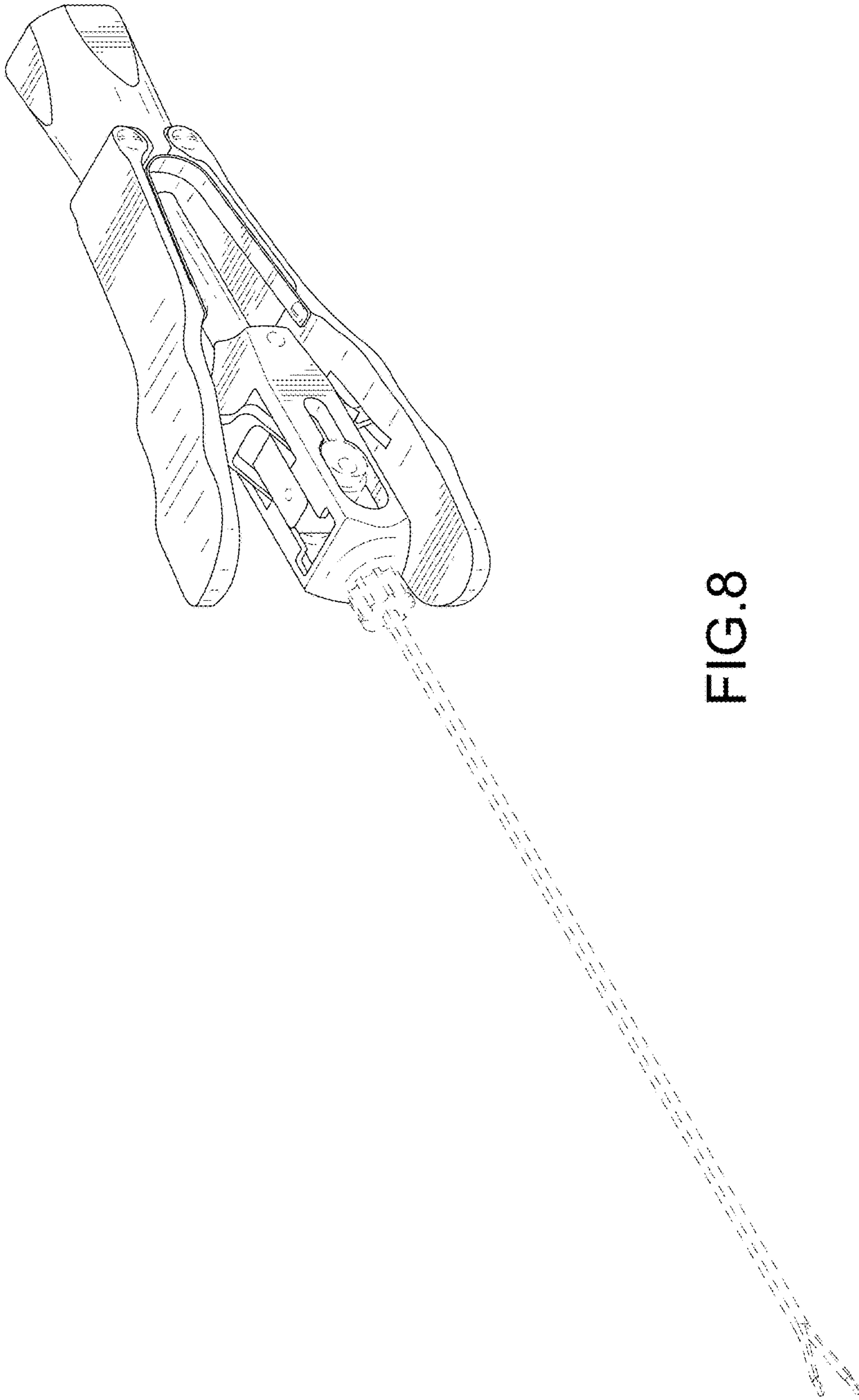


FIG. 8

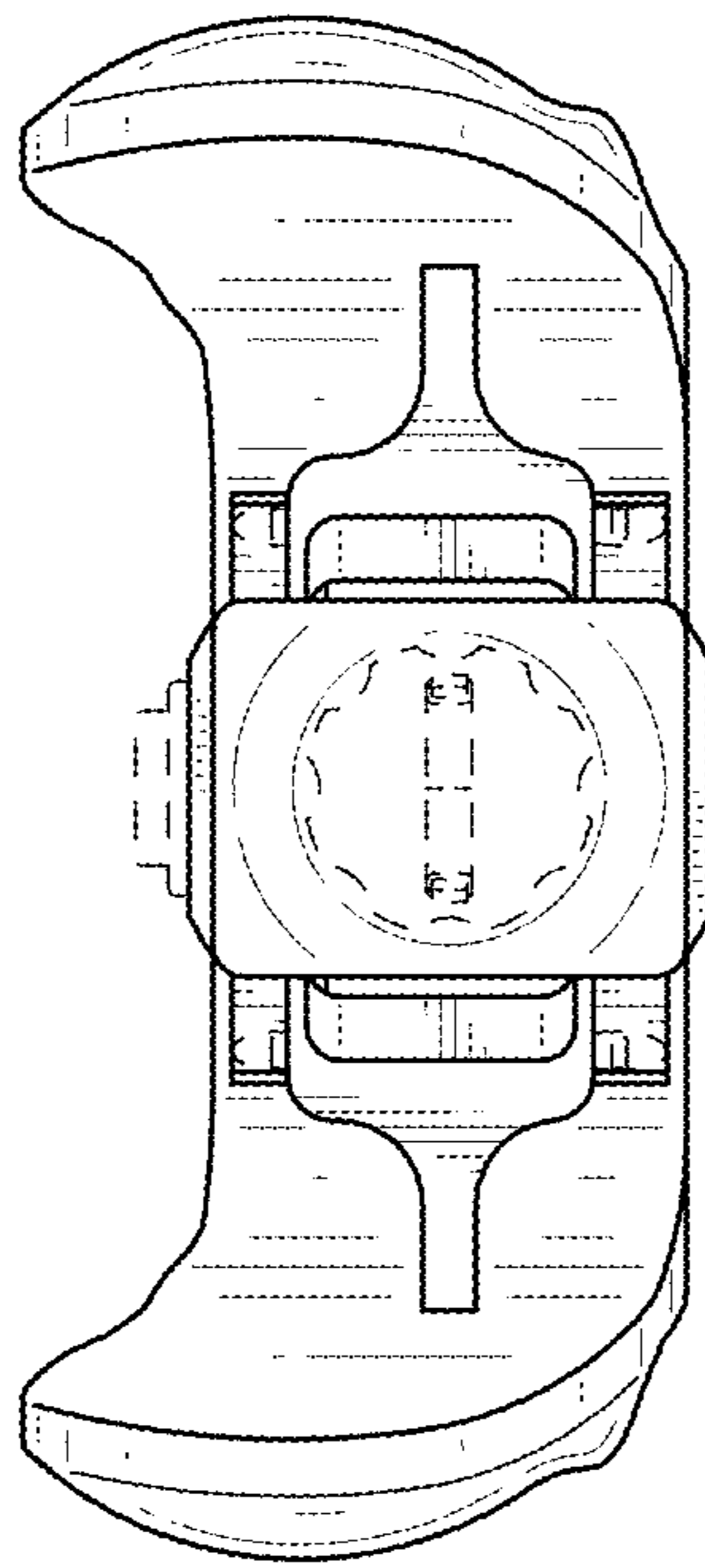


FIG.9

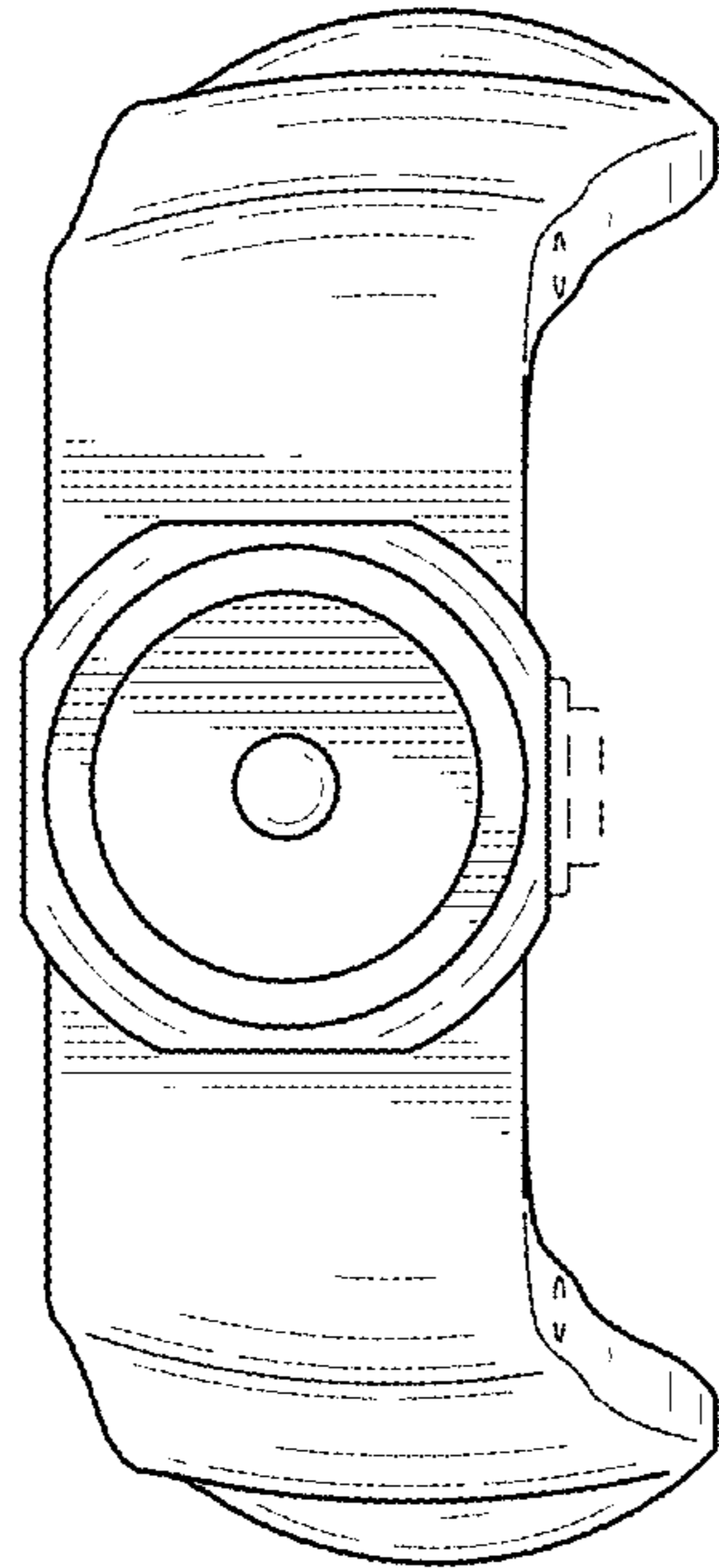


FIG.10

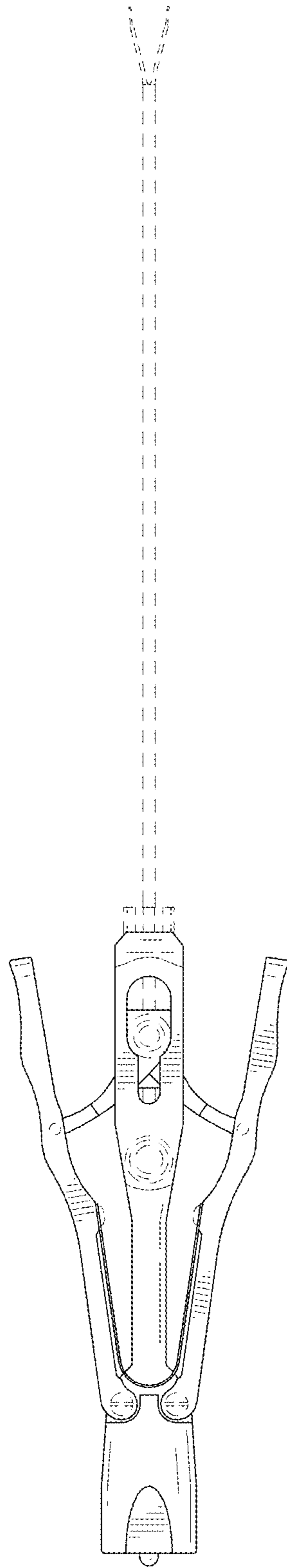


FIG.11

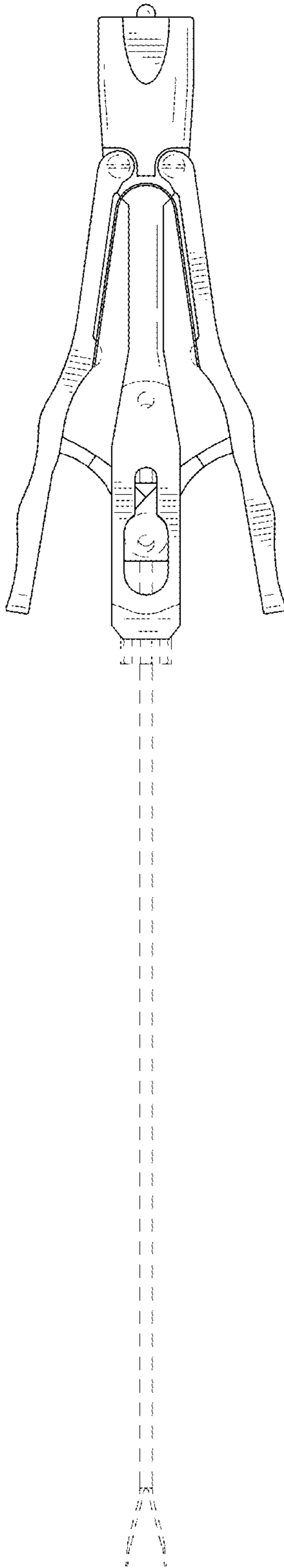


FIG.12

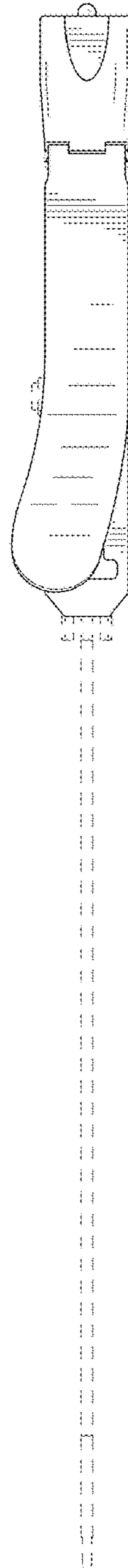


FIG. 13

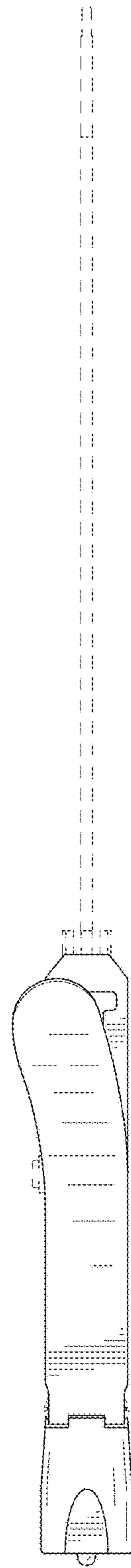


FIG. 14