



US00D825751S

(12) **United States Design Patent** (10) **Patent No.:** **US D825,751 S**  
**Yoon** (45) **Date of Patent:** **\*\* Aug. 14, 2018**

(54) **NEEDLE HOLDER FOR MEDICAL PURPOSE**

(71) Applicant: **Sang Cheon Yoon**, Seoul (KR)

(72) Inventor: **Sang Cheon Yoon**, Seoul (KR)

(\*\*) Term: **15 Years**

(21) Appl. No.: **35/501,908**

(22) Filed: **May 12, 2016**

(80) **Hague Agreement Data**

Int. Filing Date: **May 12, 2016**

Int. Reg. No.: **DM/092746**

Int. Reg. Date: **May 12, 2016**

Int. Reg. Pub. Date: **Nov. 18, 2016**

(30) **Foreign Application Priority Data**

Nov. 16, 2015 (KR) ..... 30-2015-0057593

(51) **LOC (11) Cl.** ..... **24-02**

(52) **U.S. Cl.**  
USPC ..... **D24/130**

(58) **Field of Classification Search**  
USPC ..... D24/112-114, 133, 130, 127, 146  
CPC ..... A61M 25/0618; A61M 5/3271; A61M  
25/0612; A61M 25/0637

See application file for complete search history.

(56) **References Cited**

**U.S. PATENT DOCUMENTS**

D365,633 S \* 12/1995 Walker ..... D24/130  
6,210,371 B1 \* 4/2001 Shaw ..... A61M 25/0631  
604/164.08

D450,119 S \* 11/2001 Rose ..... D24/112  
D451,600 S \* 12/2001 Crawford ..... D24/112  
D465,571 S \* 11/2002 Niermann ..... D24/130  
D471,979 S \* 3/2003 Wilkinson ..... D24/112  
D483,121 S \* 12/2003 Drewes, Jr. .... D24/129  
D498,844 S \* 11/2004 Diamond ..... D24/130  
D573,256 S \* 7/2008 Mauch ..... D24/130  
D687,547 S \* 8/2013 Wang ..... D24/130  
D725,262 S \* 3/2015 Chowdhury ..... D24/130  
D785,781 S \* 5/2017 Chan ..... D24/112

\* cited by examiner

*Primary Examiner* — Manpreet S Matharu  
*Assistant Examiner* — Eliza Z Bennett-Hattan  
(74) *Attorney, Agent, or Firm* — Rabin & Berdo, P.C.

(57) **CLAIM**

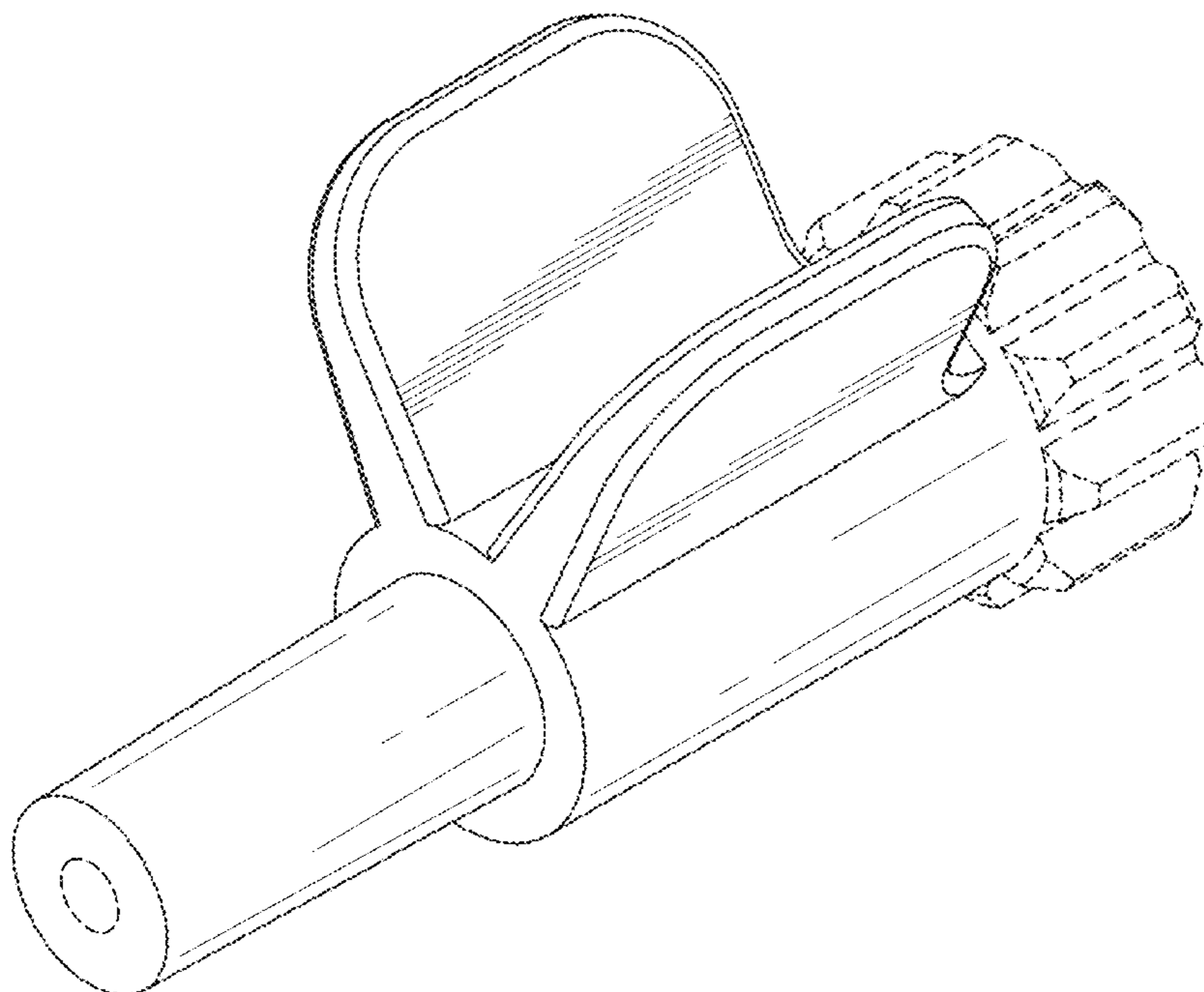
The ornamental design for a needle holder for medical purpose, as shown and described.

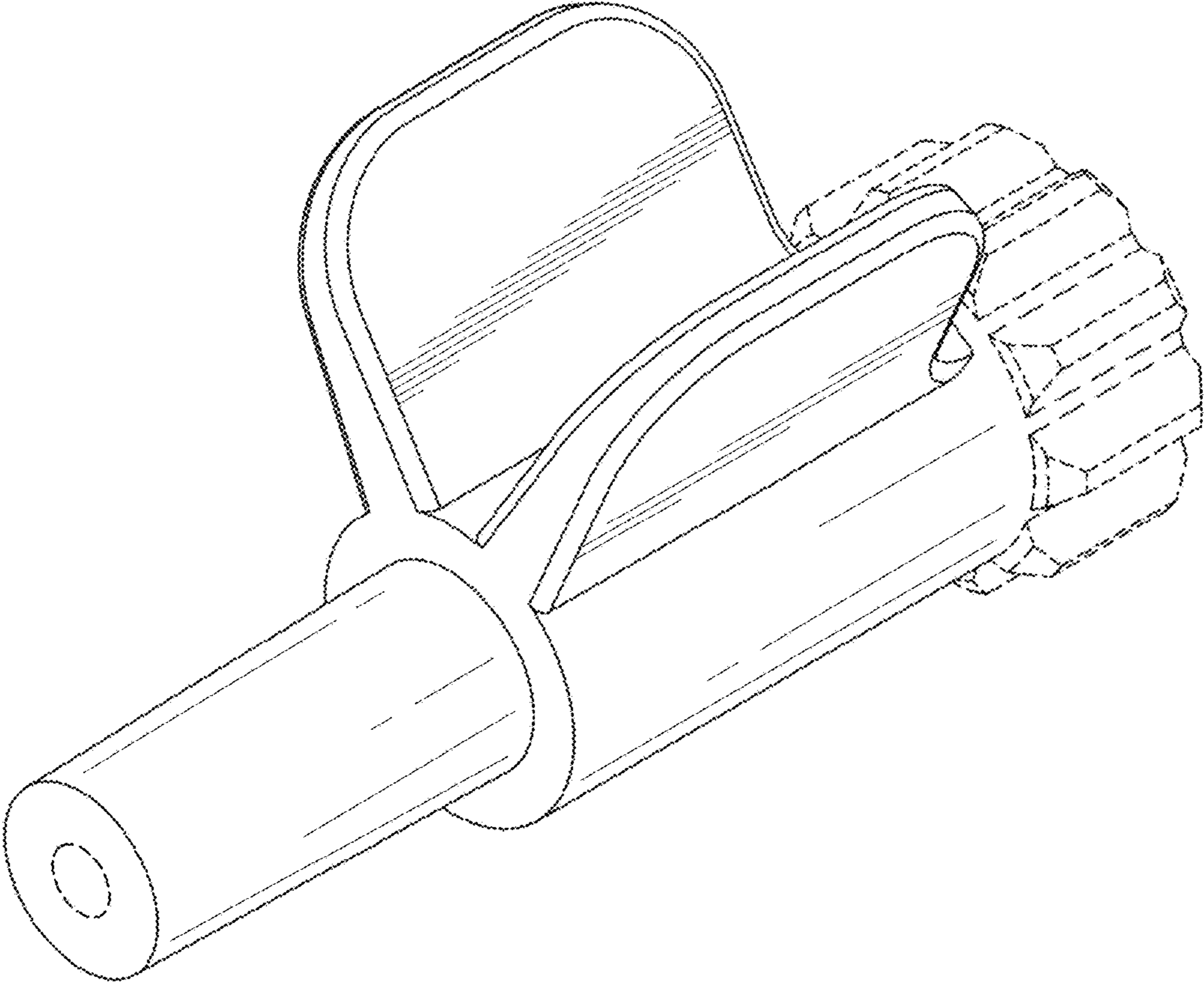
**DESCRIPTION**

- 1. Needle holder for medical purpose
- 1.1 : Perspective
- 1.2 : Front
- 1.3 : Back
- 1.4 : Left
- 1.5 : Right
- 1.6 : Top
- 1.7 : Bottom

The broken lines in the drawing depict unclaimed portions of needle holder for medical purposes and form no part of the claimed design.

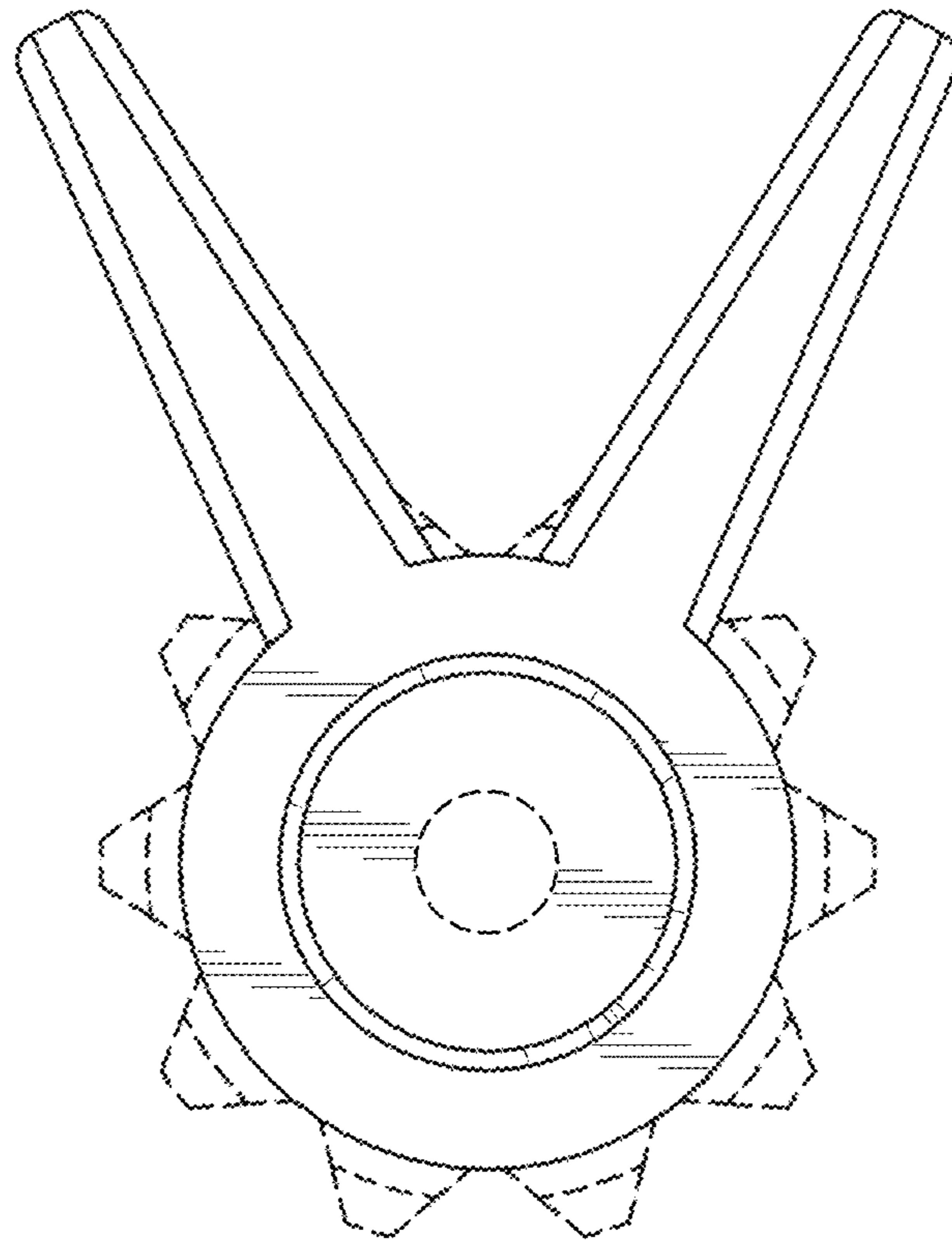
**1 Claim, 7 Drawing Sheets**



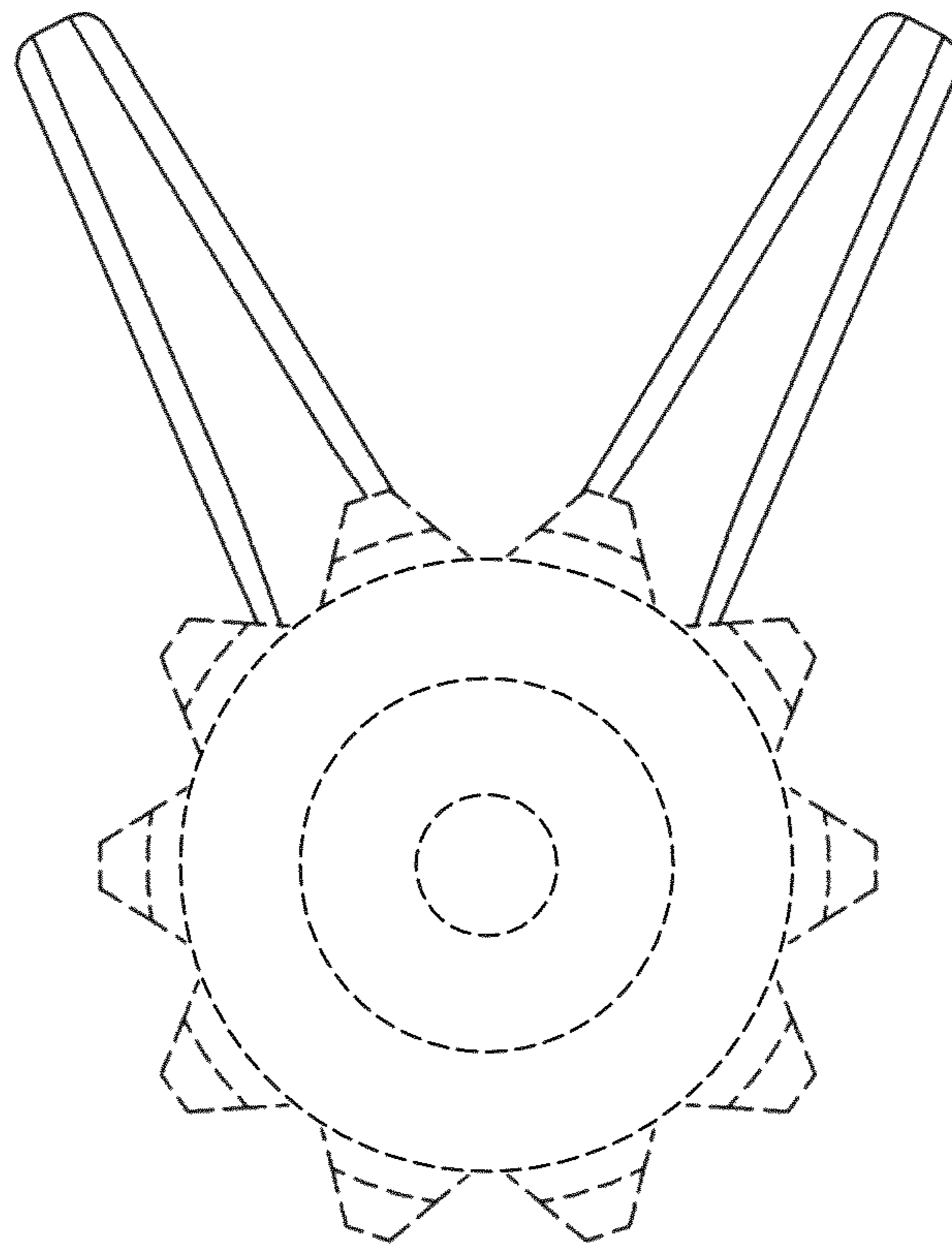


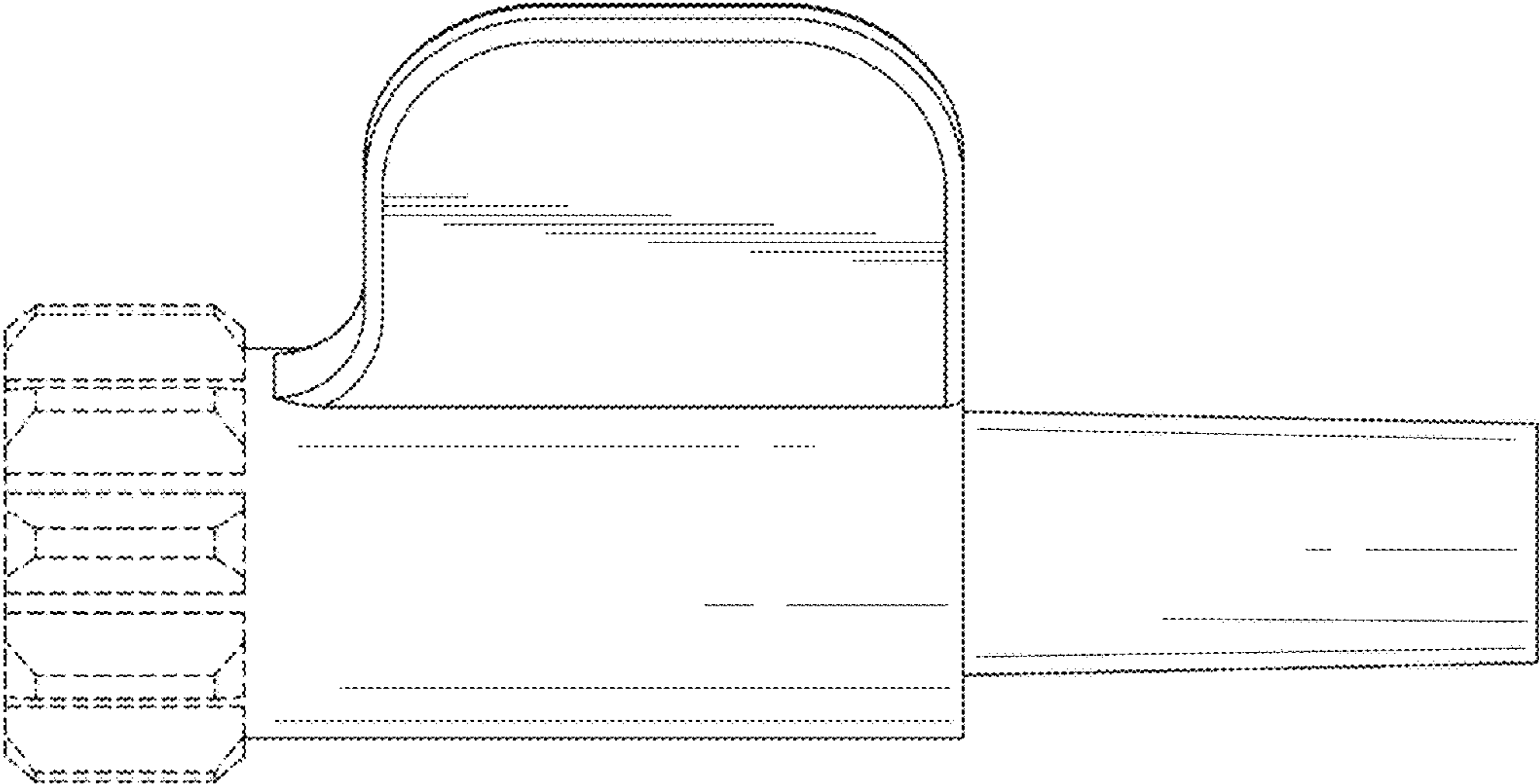
1.1

1.2

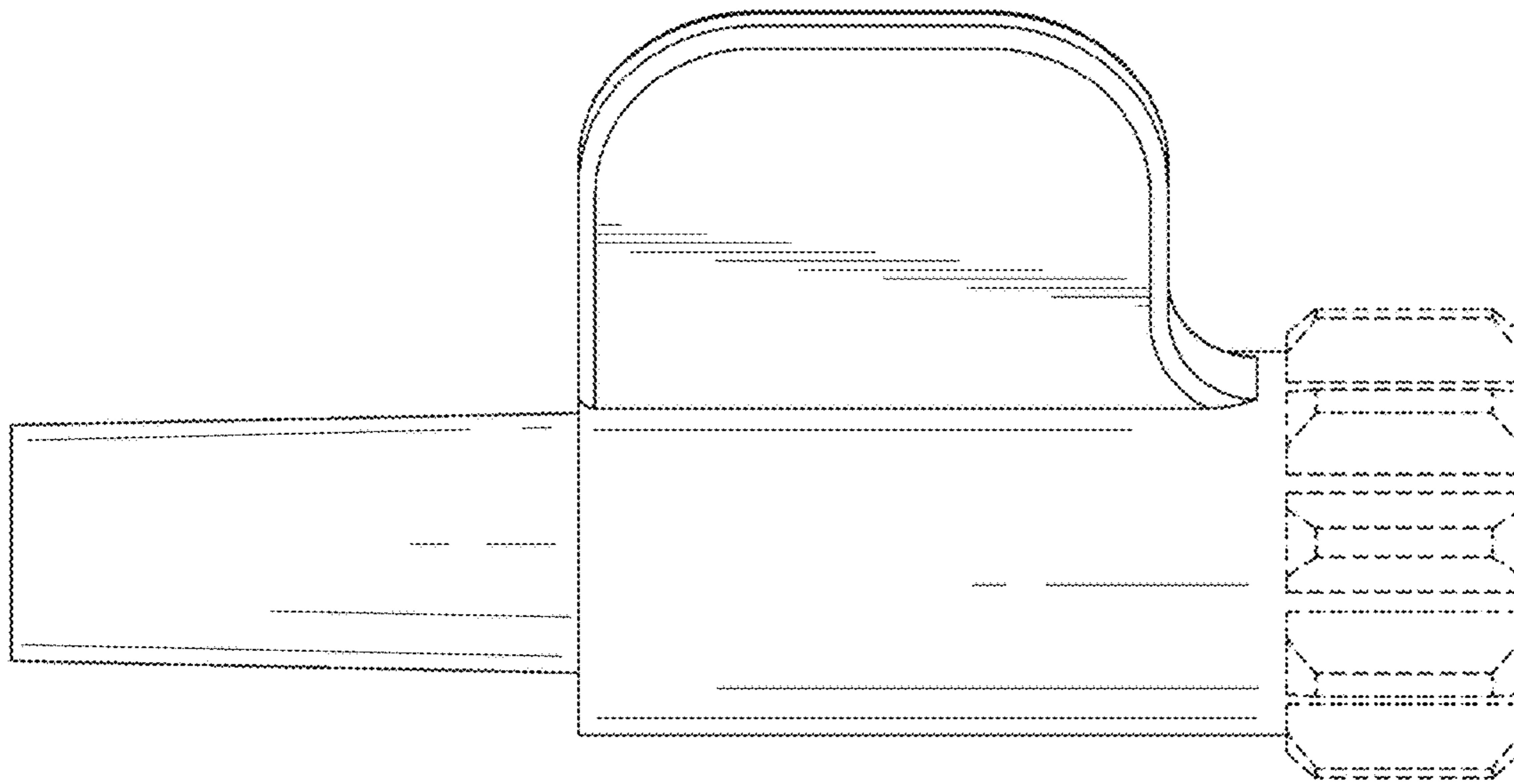


1.3

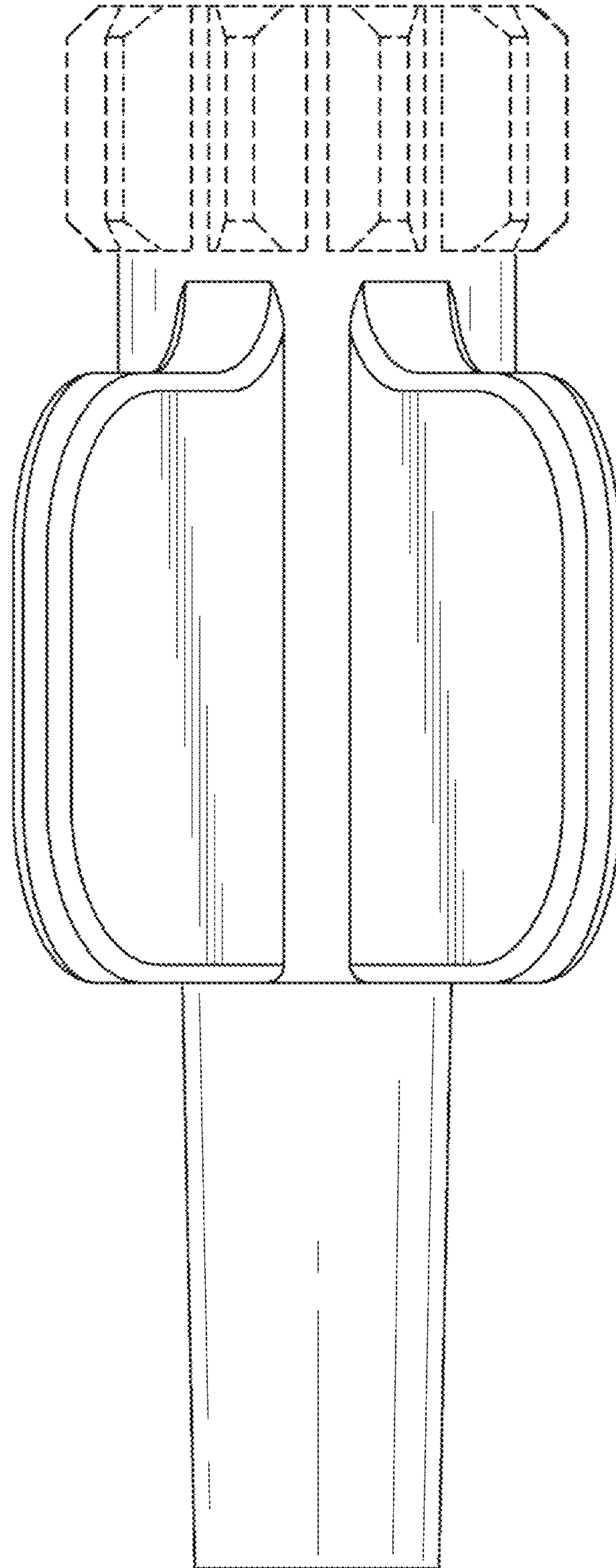




1.4



1.5



1.6

1.7

