



US00D825750S

(12) **United States Design Patent**
Feldmann

(10) **Patent No.:** **US D825,750 S**

(45) **Date of Patent:** **** Aug. 14, 2018**

- (54) **DISPENSER TIP**
- (71) Applicant: **BRAND GMBH + CO KG**, Wertheim (DE)
- (72) Inventor: **Rainer Feldmann**, Rimpar (DE)
- (73) Assignee: **BRAND GMBH + CO KG**, Wertheim (DE)

7,402,168 B2 * 7/2008 Sanderson A61F 2/915
604/101.01
D574,490 S * 8/2008 Patzer D24/129
D603,502 S * 11/2009 Petersen D24/133
D694,405 S * 11/2013 Khalaj D24/130
8,839,685 B2 9/2014 Löhn

(Continued)

FOREIGN PATENT DOCUMENTS

DE 10 2009 034 897 A1 2/2011

OTHER PUBLICATIONS

Product Brochure “Handystep® Electronic” of Brand GMBH + CO KG, Issue No. 9943 22, Printed in Germany in Feb. 2015, pp. 1, 5 and 6, Pub-Lished by Brand GMBH + CO KG.

(Continued)

Primary Examiner — David Muller
(74) *Attorney, Agent, or Firm* — David S. Safran

(57) **CLAIM**

The ornamental design for a dispenser tip, as shown and described.

DESCRIPTION

FIG. 1 is a front perspective of a dispenser tip according to the inventive design;
 FIG. 2 is an enlarged front perspective view thereof;
 FIG. 3 is an enlarged rear perspective view thereof;
 FIG. 4 is a front elevation view thereof;
 FIG. 5 is a rear elevation view thereof;
 FIG. 6 is a left side elevation (the right side being a mirror image); and,
 FIG. 7 is a top plan view.

In all views, a cylinder in which dispenser tip is received is shown in phantom outline not being part of the inventive design and a part of the piston located within the cylinder is also shown in phantom outline in FIGS. 1-3 & 7, not being part of the inventive design.

1 Claim, 4 Drawing Sheets

(**) Term: **15 Years**

(21) Appl. No.: **29/614,392**

(22) Filed: **Aug. 18, 2017**

(30) **Foreign Application Priority Data**

Feb. 23, 2017 (EM) 003763564-0011

(51) **LOC (11) Cl.** **24-02**

(52) **U.S. Cl.**
USPC **D24/130**

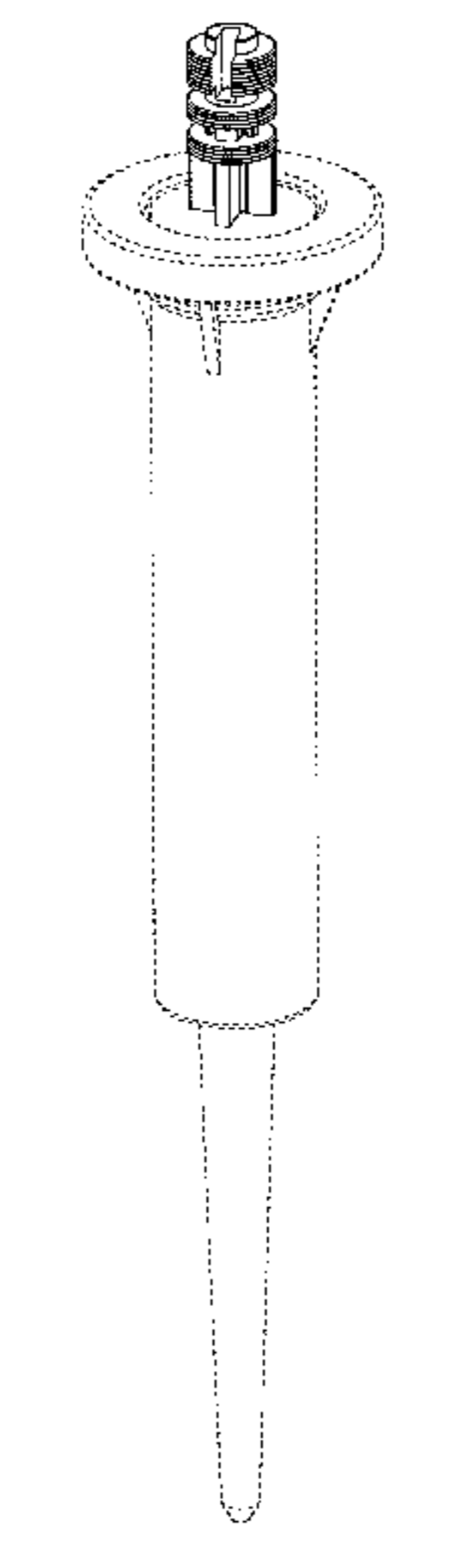
(58) **Field of Classification Search**
 USPC D24/127–131, 112–114, 133, 186;
 606/181, 185; 604/264, 523–528, 272,
 604/187, 158, 164.01–164.11, 181, 184,
 604/227; 600/101, 139, 143;
 128/200.24, 207.14, 207.15
 CPC .. A61M 25/065; A61M 5/42; A61M 25/0612;
 A61M 25/00; A61M 39/00; A61M 27/00;
 A61M 25/0043; A61M 25/0067; A61M
 25/0097; A61F 2/958

See application file for complete search history.

(56) **References Cited**

U.S. PATENT DOCUMENTS

6,167,605 B1 * 1/2001 Morales A61F 2/958
29/282
D437,412 S * 2/2001 Maeji D24/127
D518,178 S * 3/2006 Christiansen D24/133
7,393,114 B2 * 7/2008 Devlin A61M 37/0076
362/109



(56)

References Cited

U.S. PATENT DOCUMENTS

D733,909 S 7/2015 Löhn
D733,910 S 7/2015 Löhn
D735,853 S * 8/2015 Pa D24/129
D744,645 S * 12/2015 Smith D24/133
9,861,791 B2 * 1/2018 Rawls A61M 25/04
D815,278 S * 4/2018 Pak D24/130
D818,580 S * 5/2018 Khabiri D24/128

OTHER PUBLICATIONS

Excerpt From German Catalog “Gesamtkatalog 900” of Brand GMBH + CO KG, Issue No. 3963 00, Printed in Germany in Jul. 2013, pp. 2 and 3, Published by Brand GMBH + CO KG.

Excerpt From English Catalog Gesamtkatalog 900 of Brand GMBH + CO KG, Chapter “Liquid Handling”, Printed in Germany in Jul. 2013, pp. 94 to 96, Published by Brand GMBH + CO KG.

Product Website Ritips Professional of Ritter GMBH, As Retrieved From <http://www.ritter-medical.de/produkte/ritips-professional/> on Jul. 4, 2017.

* cited by examiner

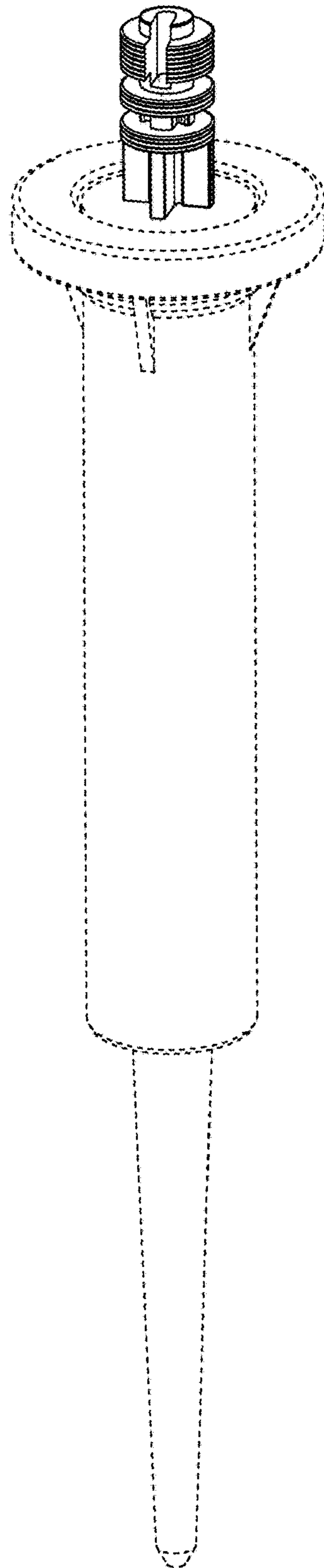


FIG. 1

FIG. 2

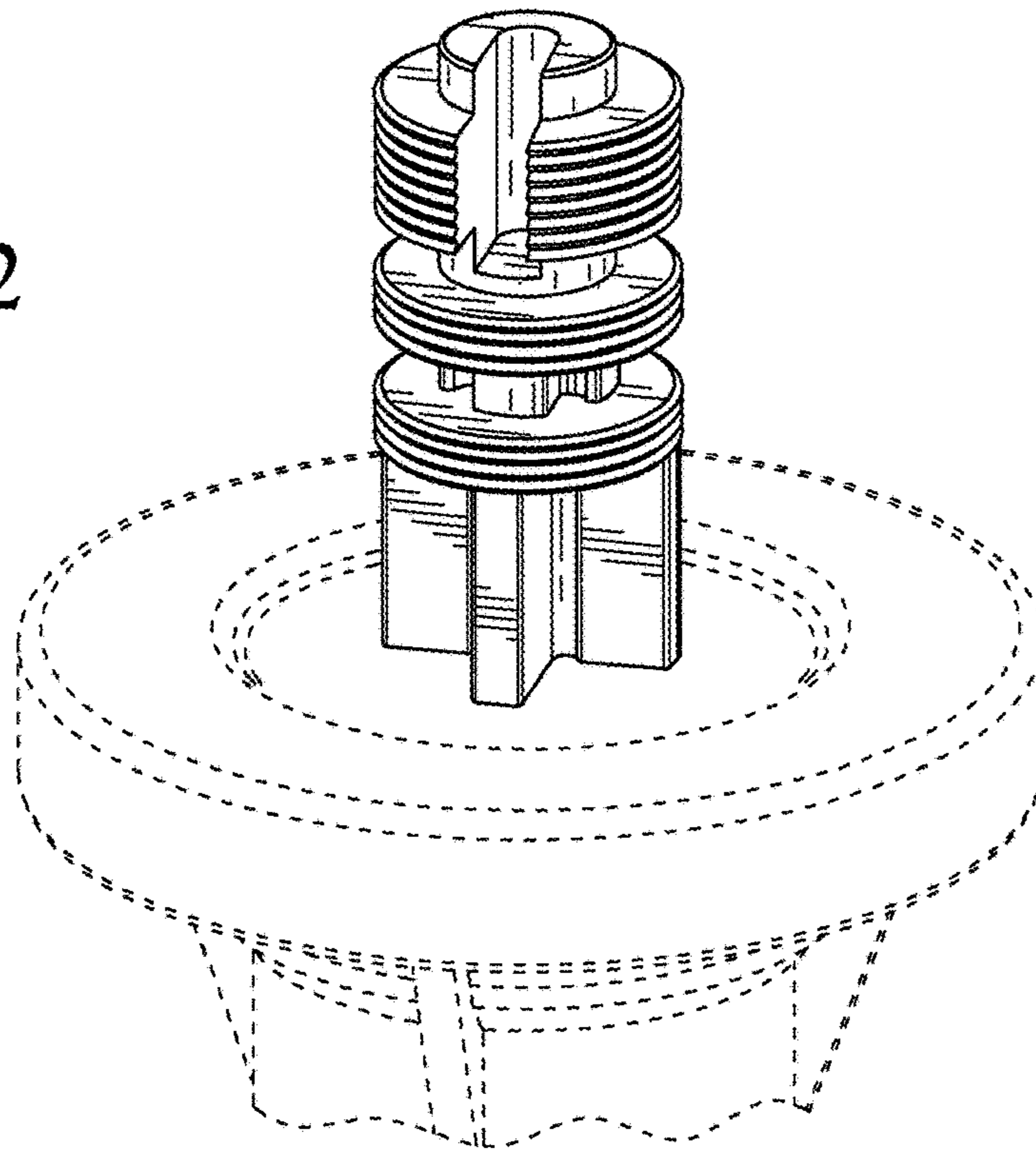


FIG. 3

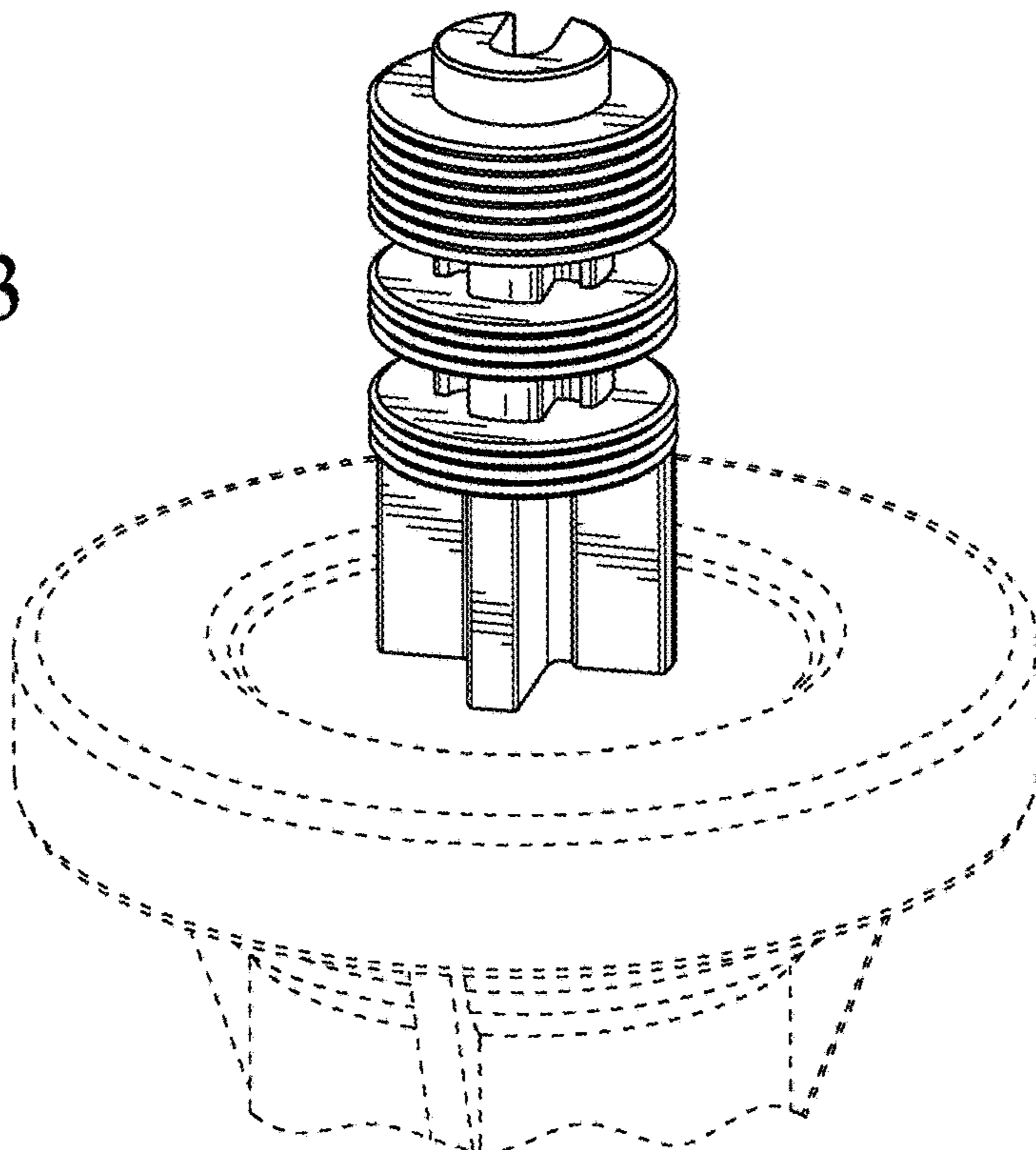


FIG. 4

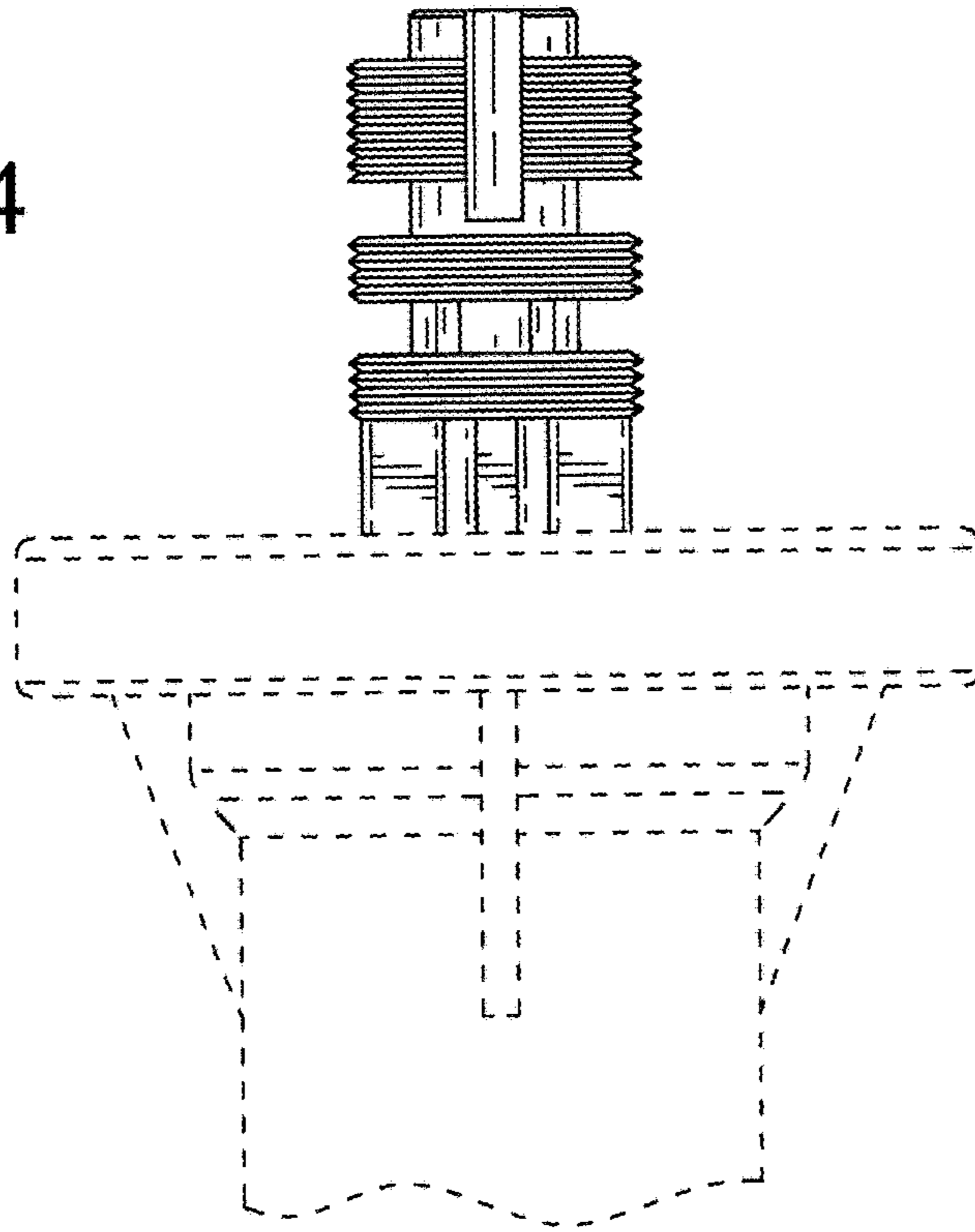


FIG. 5

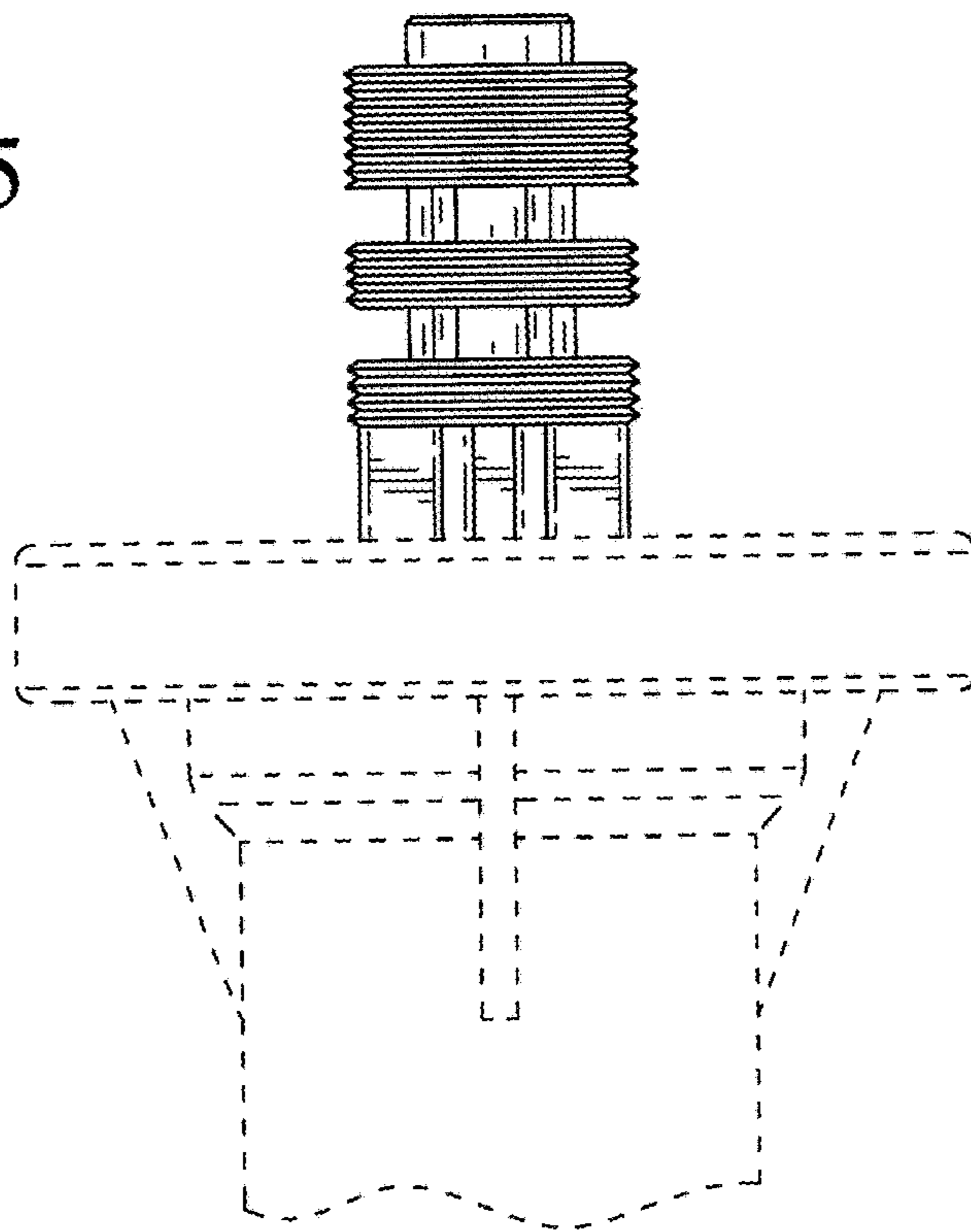


FIG. 6

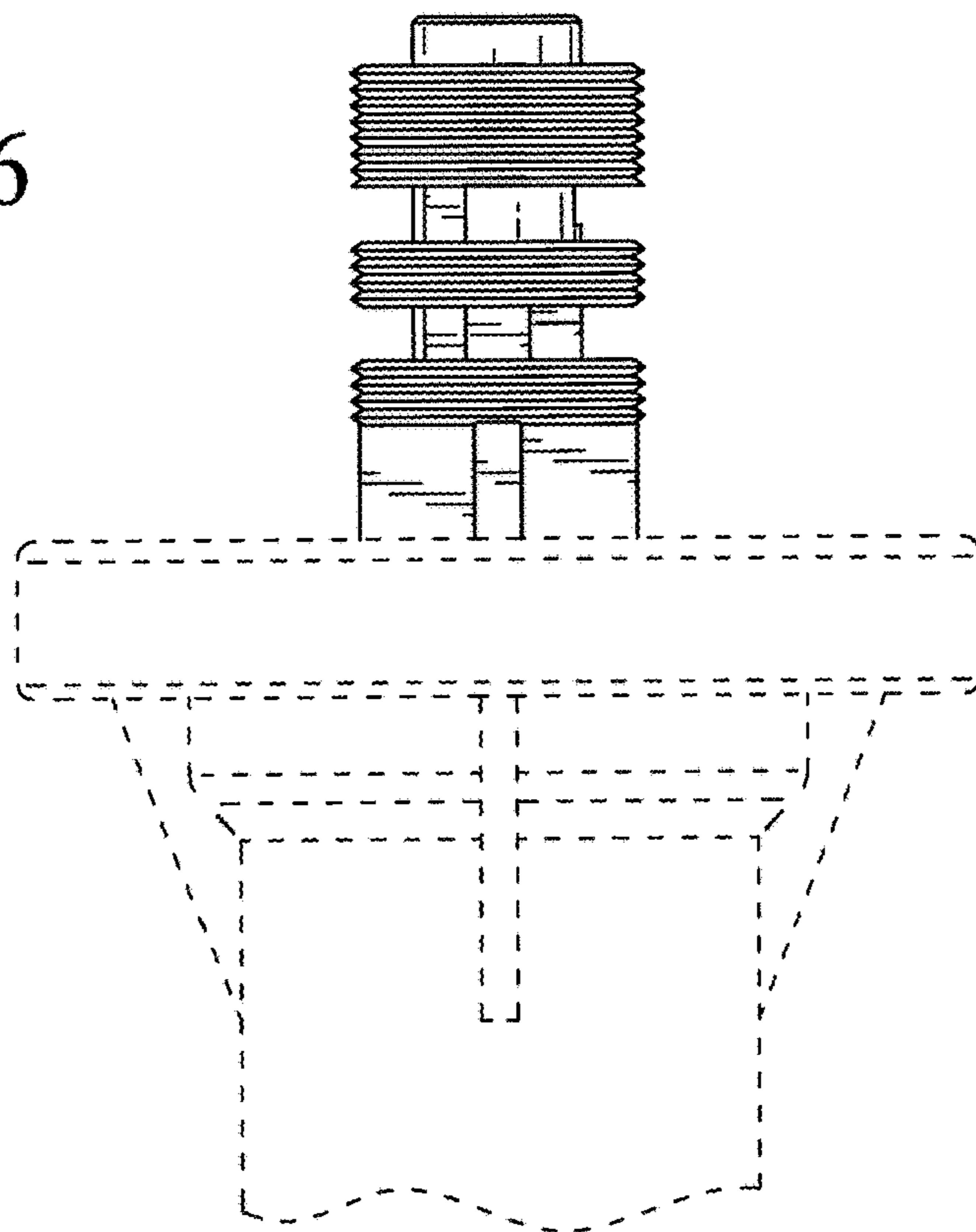


FIG. 7

