



US00D825749S

(12) **United States Design Patent** (10) **Patent No.:** **US D825,749 S**  
**Huang et al.** (45) **Date of Patent:** **\*\* Aug. 14, 2018**

(54) **PEN NEEDLE OUTER COVER**

FOREIGN PATENT DOCUMENTS

(71) Applicant: **Becton, Dickinson and Company**,  
Franklin Lakes, NJ (US)

WO WO-2009089638 7/2009  
WO WO-2010090733 8/2010

(Continued)

(72) Inventors: **David Huang**, Hayward, CA (US);  
**Todd Sack**, Dover, DE (US); **Mark  
Bowen**, Stow, MA (US); **Matthew  
Zuschlag**, Randolph, NJ (US); **David  
Schiff**, Highland Park, NJ (US); **Pearse  
Egan**, Dublin (IE)

OTHER PUBLICATIONS

Clickfine Pen Needles, <http://myclickfine.com/default.aspx>, Down-  
loaded Jun. 30, 2015.

(Continued)

(73) Assignee: **Becton, Dickinson and Company**,  
Franklin Lakes, NJ (US)

*Primary Examiner* — David Muller

(74) *Attorney, Agent, or Firm* — Dickinson Wright PLLC

(\*\*) Term: **15 Years**

(57) **CLAIM**

The ornamental design for a pen needle outer cover, as  
shown and described.

(21) Appl. No.: **29/600,347**

**DESCRIPTION**

(22) Filed: **Apr. 11, 2017**

**Related U.S. Application Data**

(63) Continuation-in-part of application No. 29/561,304,  
filed on Apr. 14, 2016, now Pat. No. Des. 787,669.

(51) **LOC (11) Cl.** ..... **24-02**

(52) **U.S. Cl.**  
USPC ..... **D24/130**

(58) **Field of Classification Search**  
USPC ..... D24/127–131, 112–114, 133, 186;  
606/181, 185; 604/264, 523–528, 272,  
(Continued)

FIG. 1 is a top perspective view of a pen needle outer cover  
embodying our new design;  
FIG. 2 is a bottom perspective view of the pen needle outer  
cover shown in FIG. 1;  
FIG. 3 is a bottom view of the pen needle outer cover shown  
in FIGS. 1 and 2;  
FIG. 4 is a side view of the pen needle outer cover shown  
in FIGS. 1-3;  
FIG. 5 is another side view of the pen needle outer cover  
shown in FIGS. 1-3, as it would appear when rotated about  
its longitudinal axis by 45 degrees, 135 degrees, 225 degrees  
or 315 degrees in either rotational direction from the orien-  
tation shown in FIG. 4;  
FIG. 6 is a top view of pen needle outer cover shown in  
FIGS. 1-5; and,  
FIG. 7 is a side cross-sectional view, taken along the line 7-7  
in FIG. 3, of the pen needle outer cover shown in FIGS. 1-6.  
The dashed broken lines in the drawings represent portions  
of the pen needle outer cover that form no part of the claimed  
design.

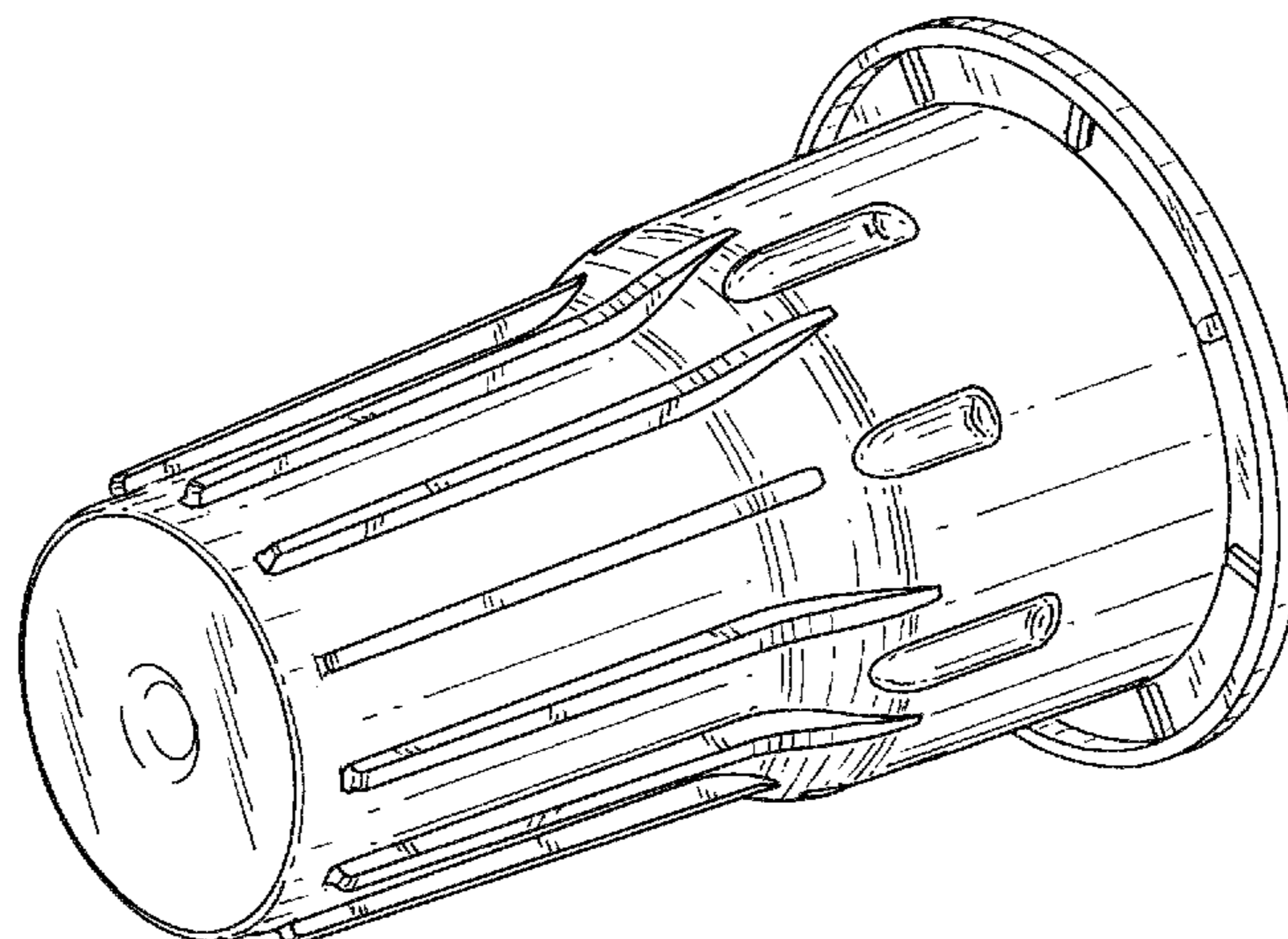
(56) **References Cited**

U.S. PATENT DOCUMENTS

D323,710 S \* 2/1992 Kasai ..... D24/130  
D326,322 S \* 5/1992 Clegg ..... D24/112

(Continued)

**1 Claim, 4 Drawing Sheets**



(58) **Field of Classification Search**

USPC ..... 604/187, 158, 164.01–164.11, 181, 184,  
                   604/227; 600/101, 139, 143;  
                   128/200.24, 207.14, 207.15  
 CPC ..... A61M 5/178; A61M 3/00; A61M 5/20;  
                   A61M 5/31; A61M 5/3146; A61M  
                   5/3129; A61M 5/3148; A61M 5/315  
 See application file for complete search history.

8,529,518	B2	9/2013	Larsen et al.	
8,672,902	B2	3/2014	Ruan et al.	
D713,029	S *	9/2014	Shiraishi .....	D24/130
D713,958	S	9/2014	Srinivasan et al.	
8,834,415	B2	9/2014	Schrage	
8,858,507	B2	10/2014	Nielsen et al.	
D737,963	S	9/2015	Srinivasan et al.	
D745,668	S	12/2015	Shiraishi et al.	
D751,192	S *	3/2016	She .....	D24/127
D760,890	S *	7/2016	Guala .....	D24/112
2004/0111067	A1	6/2004	Kirchhofer	
2009/0069755	A1	3/2009	Horvath	
2012/0029440	A1	2/2012	Boyd et al.	
2012/0071835	A1	3/2012	Marshall et al.	
2015/0011974	A1	1/2015	Schrage	
2015/0297837	A1	10/2015	Schrage	
2015/0320941	A1	11/2015	Horvath	

(56) **References Cited**

U.S. PATENT DOCUMENTS

D332,490	S *	1/1993	Brown .....	D24/130
D369,409	S *	4/1996	Salter .....	D24/129
5,941,857	A	8/1999	Nguyen et al.	
5,968,021	A	10/1999	Ejlersen	
5,971,966	A	10/1999	Lav	
D461,244	S *	8/2002	Niermann .....	D24/130
6,551,286	B1 *	4/2003	Claessens .....	A61M 5/3202 128/919
D494,677	S *	8/2004	Garvin .....	D24/130
D581,049	S *	11/2008	Sudo .....	D24/130
7,665,605	B2	2/2010	Erickson et al.	
D612,493	S *	3/2010	Claessens .....	D24/130
7,871,397	B2	1/2011	Schrage	
8,133,202	B2	3/2012	Marsh	
D667,951	S *	9/2012	Marshall .....	D24/130
D669,579	S	10/2012	Marshall et al.	
8,287,492	B2	10/2012	Schrage	

FOREIGN PATENT DOCUMENTS

WO	WO-2014167340	10/2014
WO	WO-2015085031	6/2015
WO	WO-2016123494	8/2016

OTHER PUBLICATIONS

Meet NovoFine(R) Plus: The 32G 4 mm pen needle that makes injections a little friendlier, Dec. 2013.

\* cited by examiner

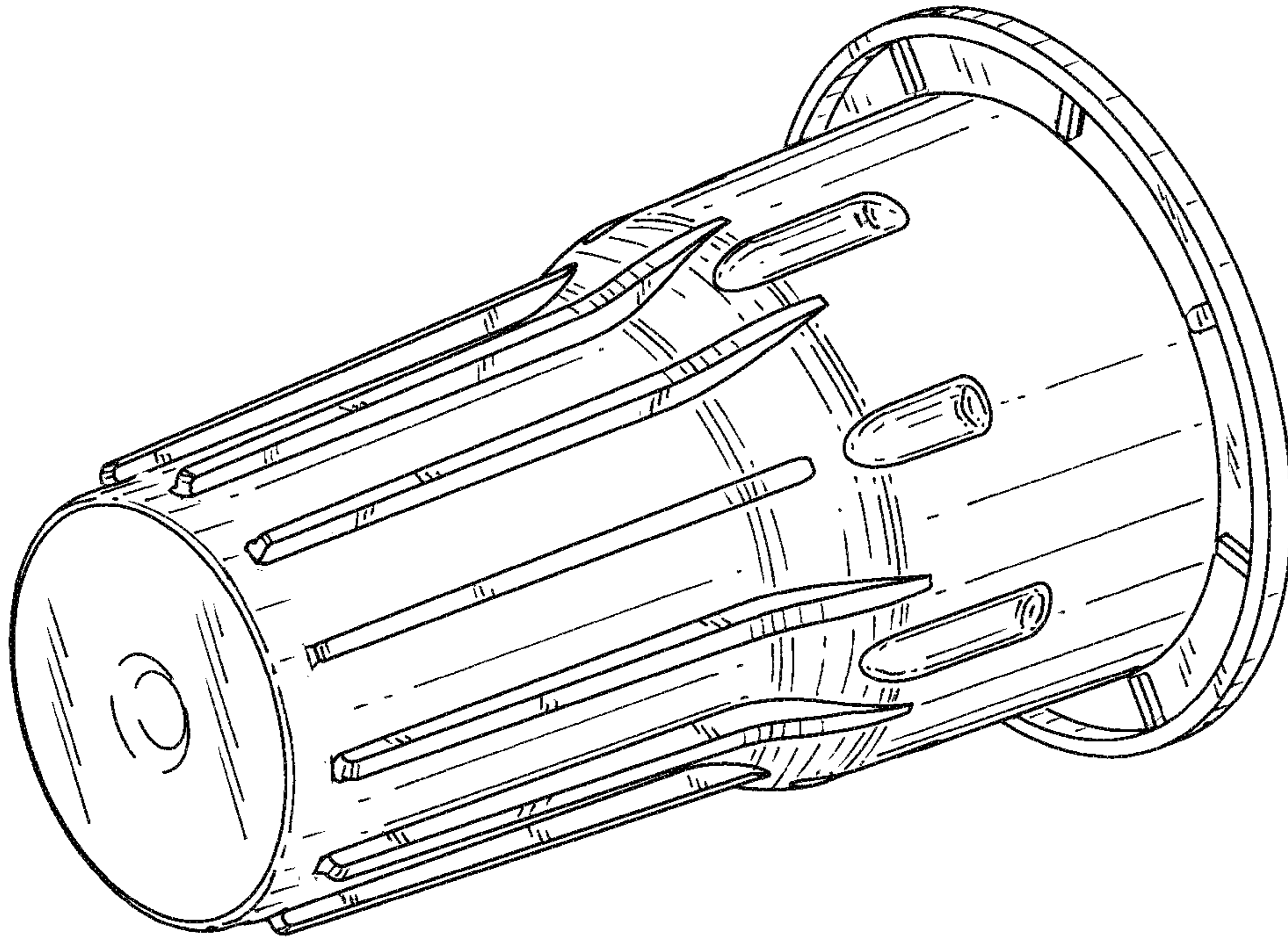


FIG. 1

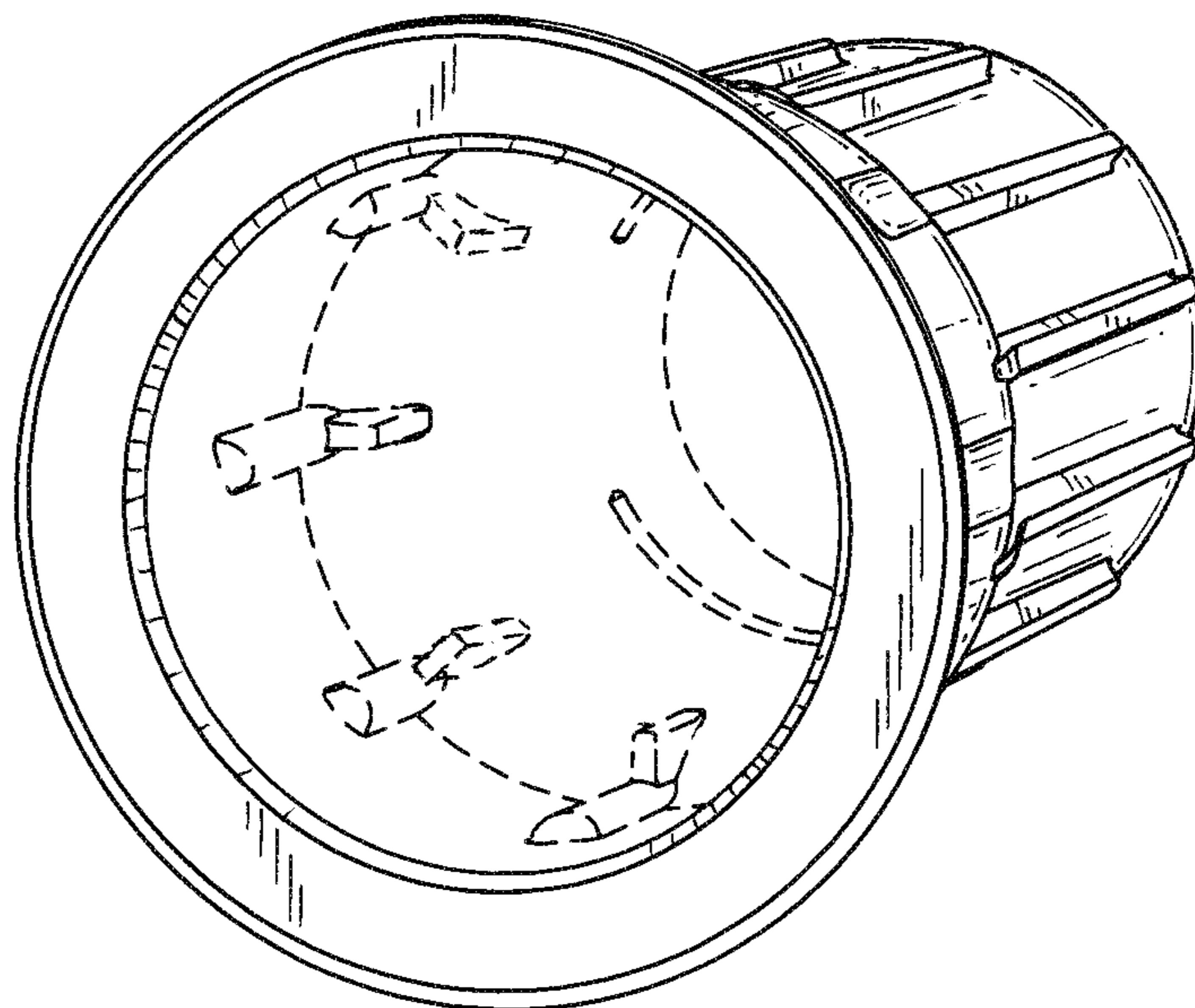


FIG. 2

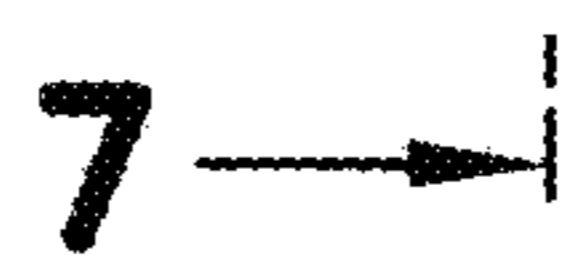
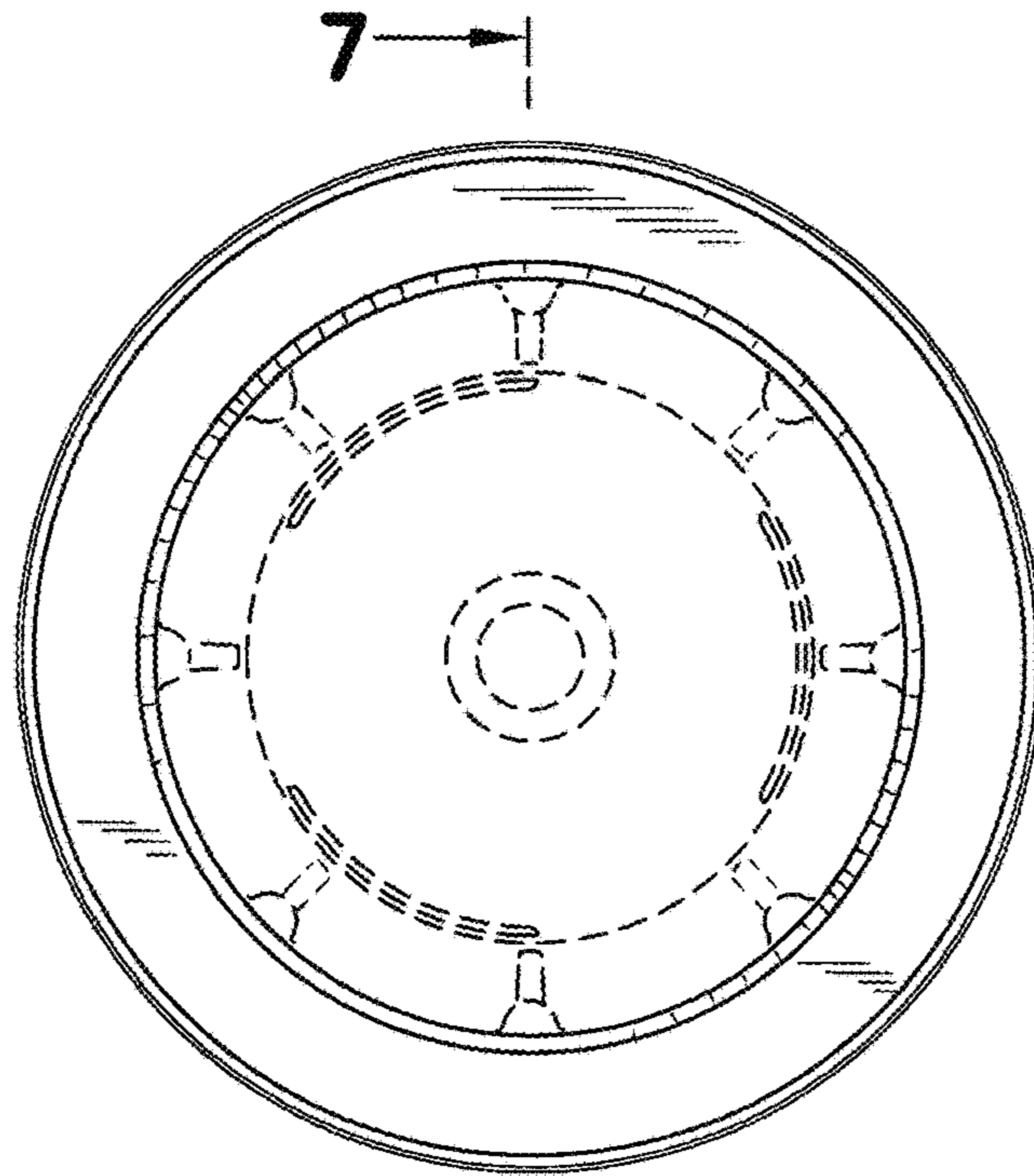


FIG.3

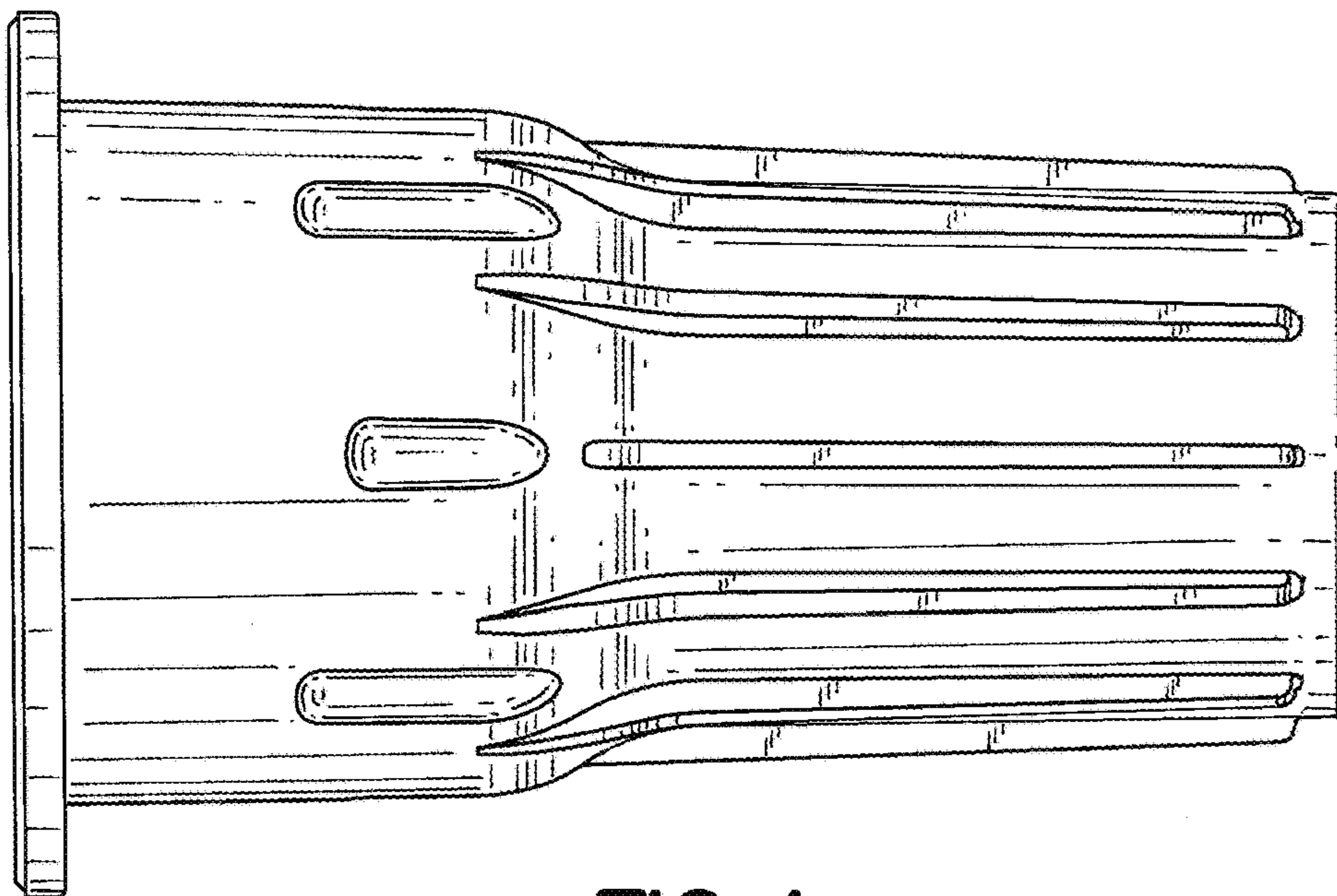


FIG.4

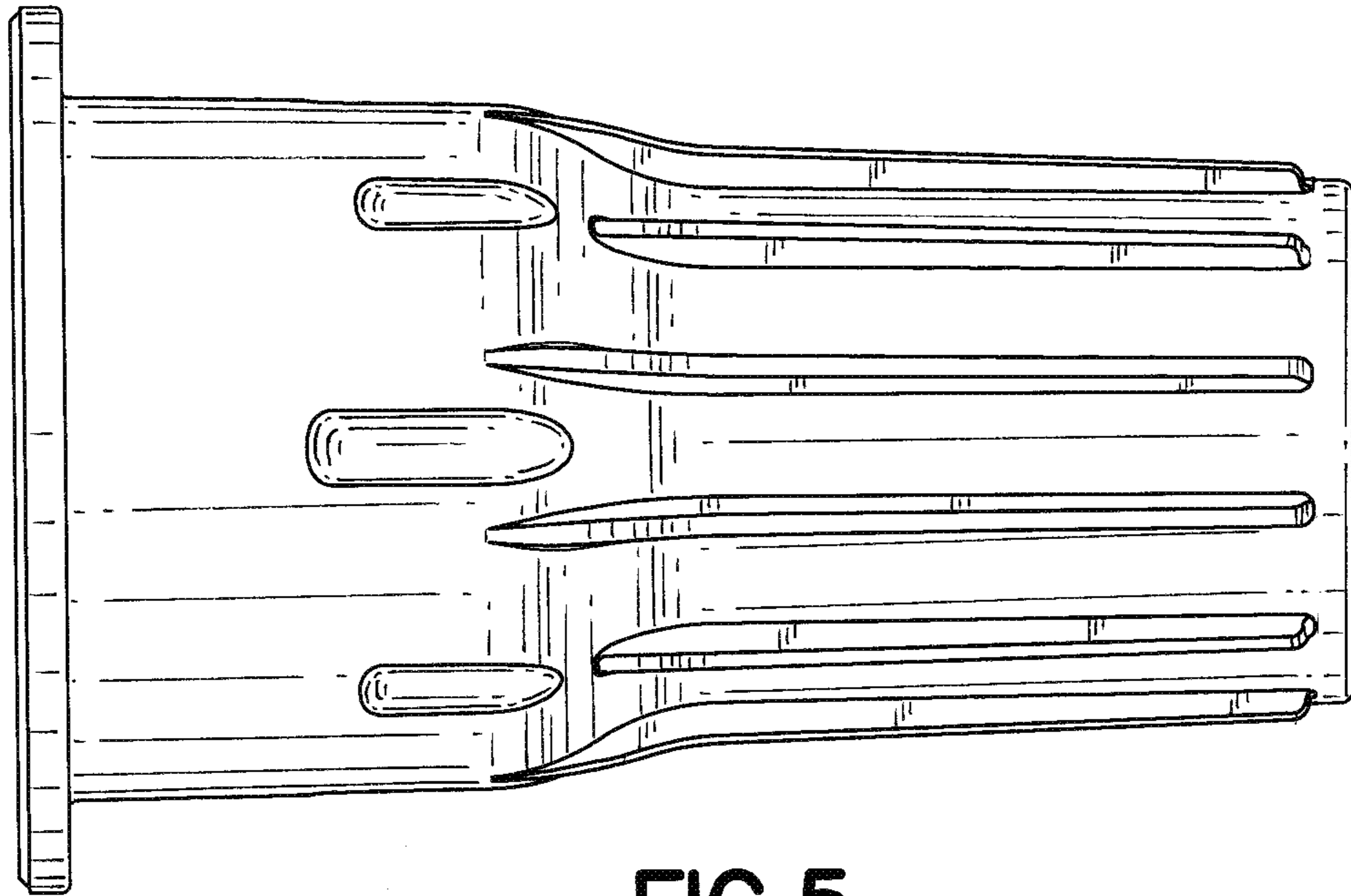


FIG. 5

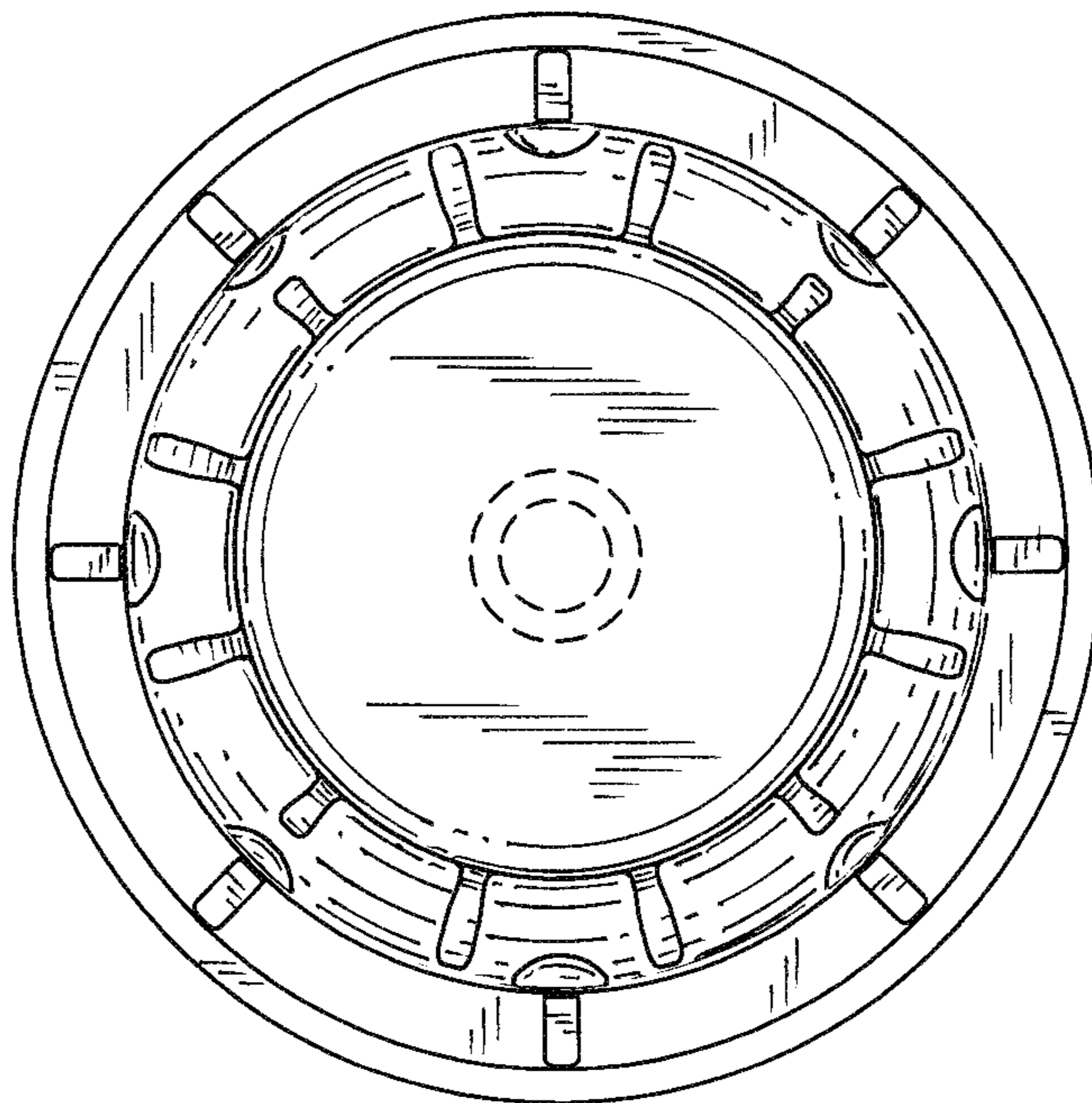


FIG. 6

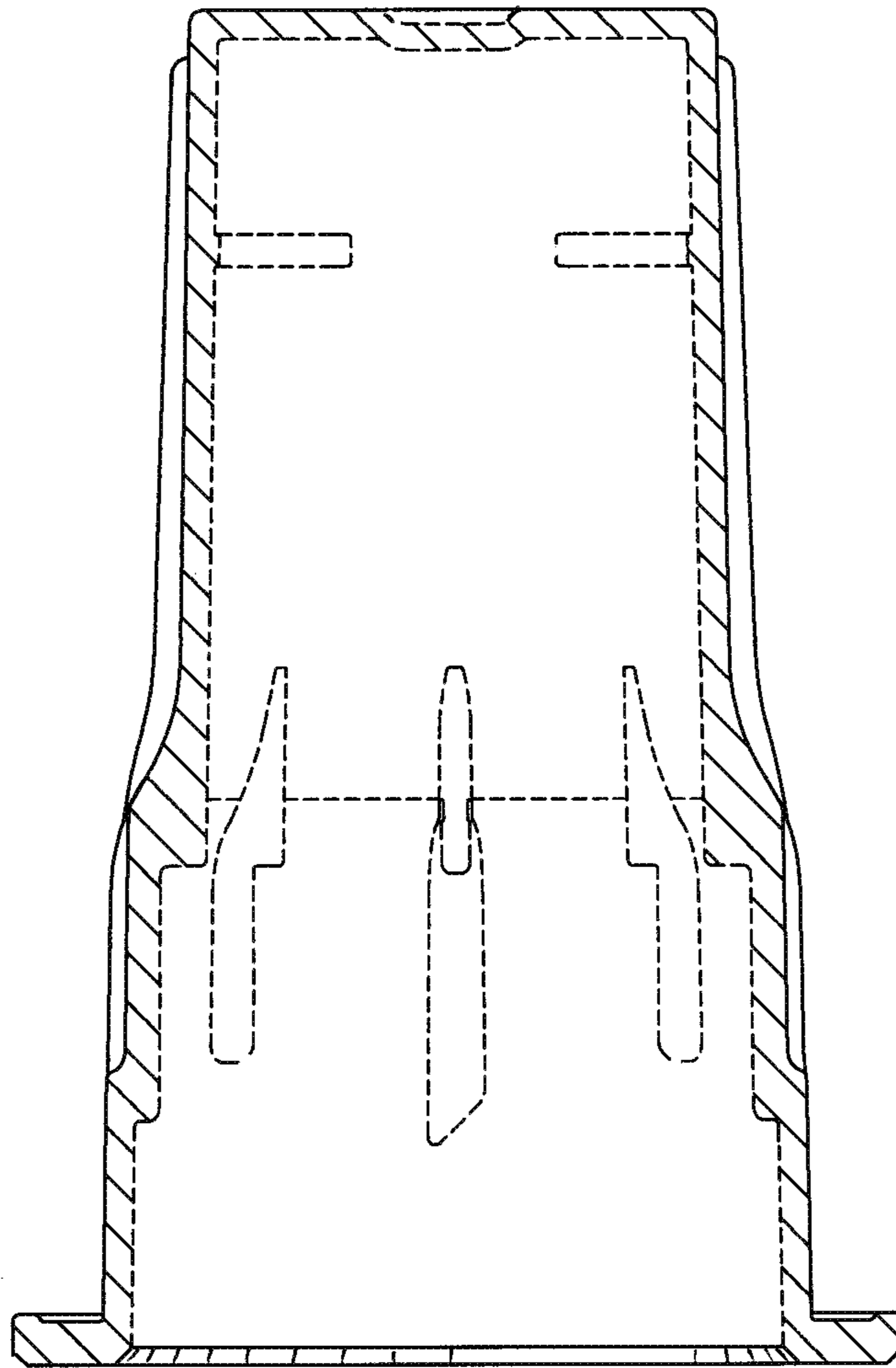


FIG. 7