



US00D825748S

(12) **United States Design Patent** (10) **Patent No.:** **US D825,748 S**
Großer et al. (45) **Date of Patent:** **** Aug. 14, 2018**

(54) **MOUNTING MEMBER FOR A SYRINGE DEVICE**

D447,799 S *	9/2001	Jun	D24/130
D506,256 S *	6/2005	Miyoshi	D24/108
D540,466 S *	4/2007	Homra	A61G 13/101
				D24/128
D577,438 S *	9/2008	Gallogly	D24/129
D637,713 S *	5/2011	Nord	D24/129
D642,261 S *	7/2011	York	D24/130
D659,825 S *	5/2012	Dillard, III	D24/130
D718,439 S *	11/2014	Woehr	D24/130
D747,472 S *	1/2016	Bradley	D24/129
D757,935 S *	5/2016	Solingen	D24/133
D777,324 S *	1/2017	Nguyen	D24/127
D784,525 S *	4/2017	Nguyen	D24/127
D794,781 S *	8/2017	Gilbert	D24/129
D809,656 S *	2/2018	Lau	D24/129

(71) Applicant: **Gerresheimer Regensburg GmbH**, Regensburg (DE)

(72) Inventors: **Jörg Großer**, Lappersdorf (DE); **Udo Leuschner**, Regensburg (DE); **Vojan Vaclav**, Plzen (CZ)

(73) Assignee: **Gerresheimer Regensburg GmbH**, Regensburg (DE)

(**) Term: **15 Years**

* cited by examiner

(21) Appl. No.: **29/589,459**

Primary Examiner — David Muller

(22) Filed: **Dec. 30, 2016**

(74) *Attorney, Agent, or Firm* — Lowe Graham Jones PLLC

(30) **Foreign Application Priority Data**

Jul. 8, 2016 (EM) 003300128-0001

(51) **LOC (11) Cl.** **24-02**

(52) **U.S. Cl.**
USPC **D24/130**

(58) **Field of Classification Search**
USPC D24/127–131, 112–114, 133, 186;
606/181, 185; 604/264, 523–528, 272,
604/187, 158, 164.01–164.11, 181, 184,
604/227; 600/101, 139, 143;
128/200.24, 207.14, 207.15
CPC A61M 5/178; A61M 3/00; A61M 5/20;
A61M 5/31; A61M 5/3146; A61M
5/3129; A61M 5/3148; A61M 5/315
See application file for complete search history.

(56) **References Cited**

U.S. PATENT DOCUMENTS

D399,559 S *	10/1998	Molina	D24/112
D421,120 S *	2/2000	Brotspies	D24/114

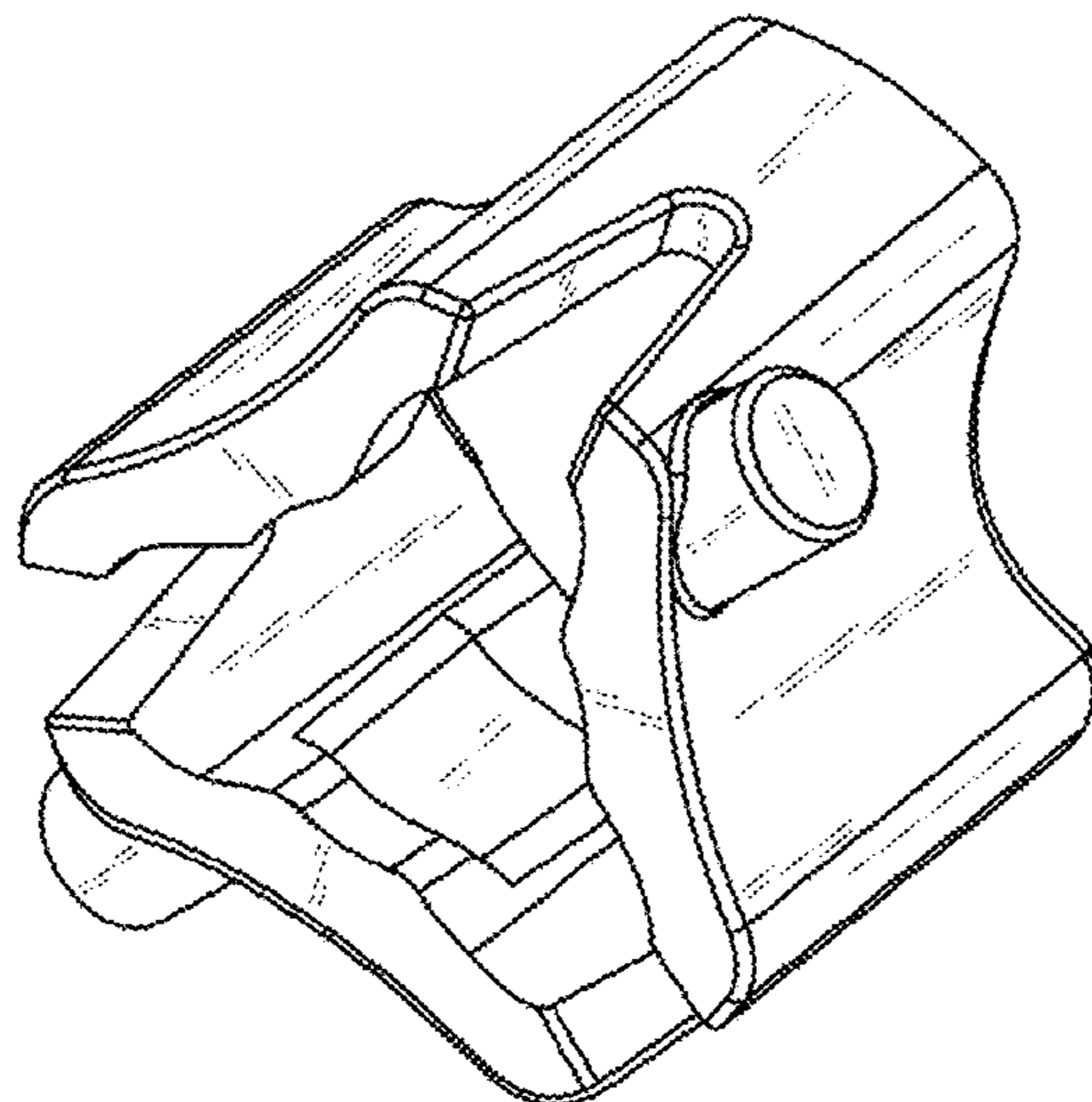
(57) **CLAIM**

We claim the ornamental design for a mounting member for a syringe device, as shown and described.

DESCRIPTION

FIG. 1 is a perspective view at an angle from the rear illustrating a mounting member for a syringe device.
FIG. 2 is a side view illustrating a mounting member for the syringe device.
FIG. 3 is a side view rotated by 90° around its longitudinal axis illustrating a mounting member for the syringe device.
FIG. 4 is a front view illustrating a mounting member for the syringe device; and,
FIG. 5 is a rear view illustrating a mounting member for the syringe device.

1 Claim, 5 Drawing Sheets



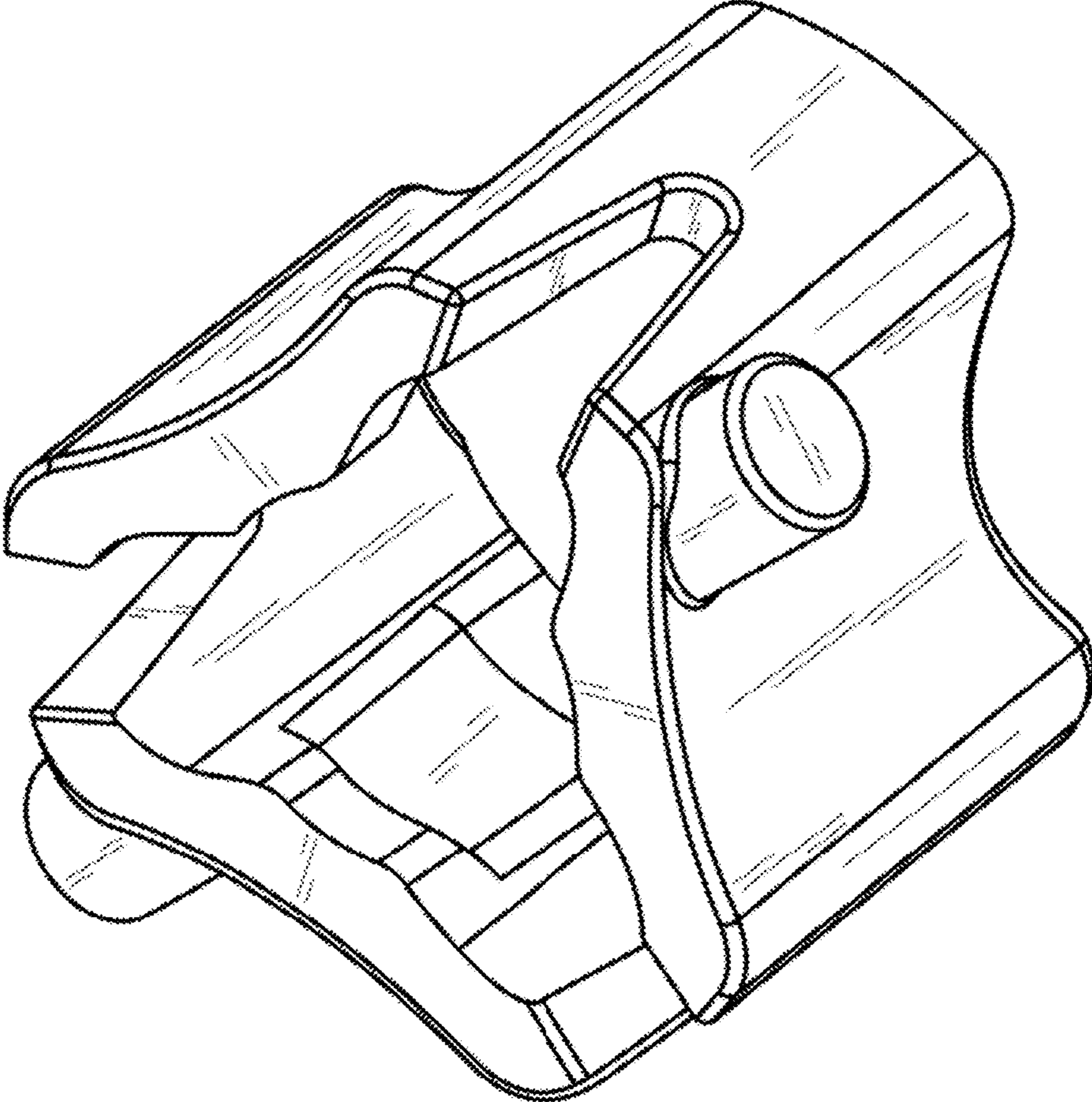


FIG. 1

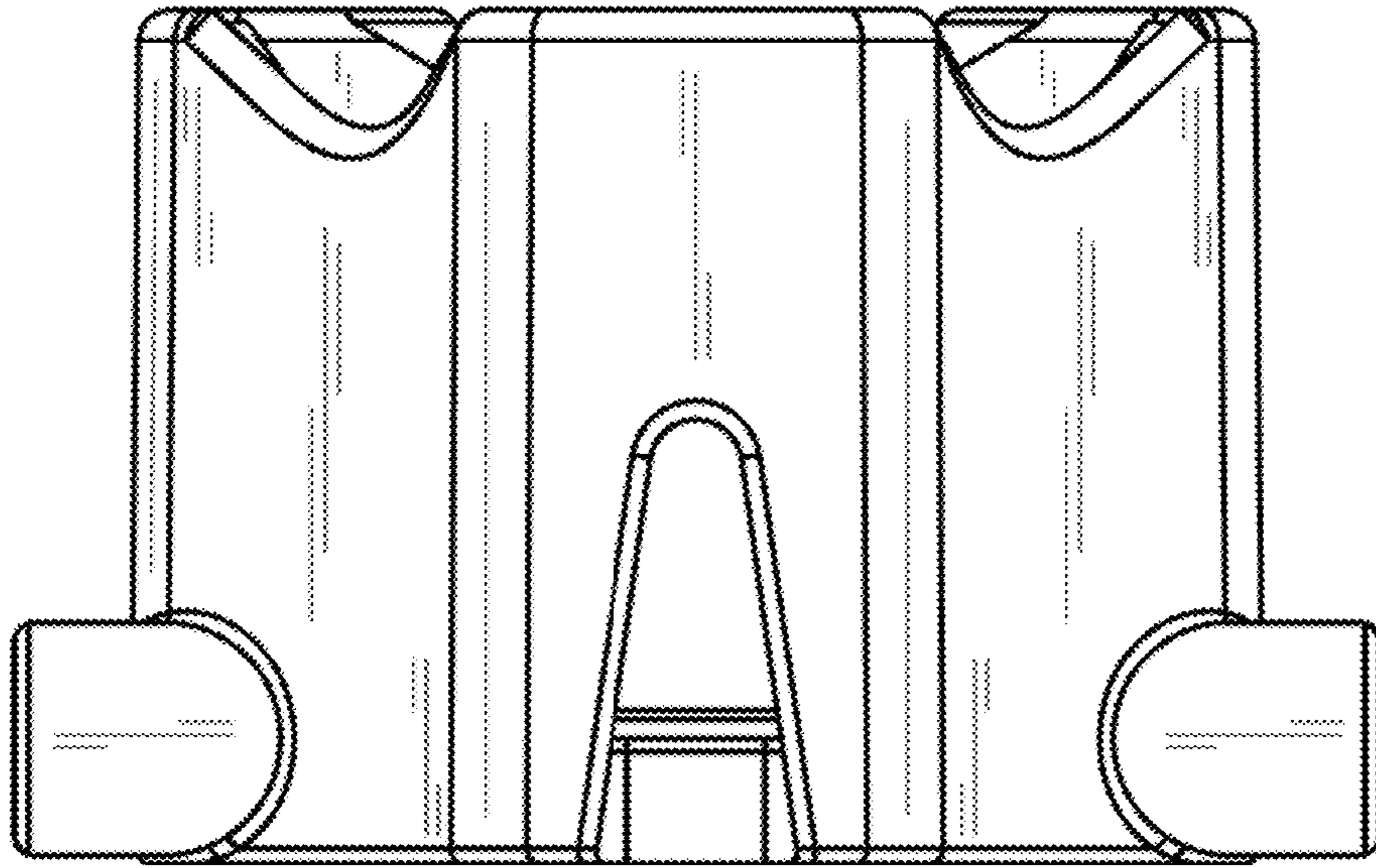


FIG. 2

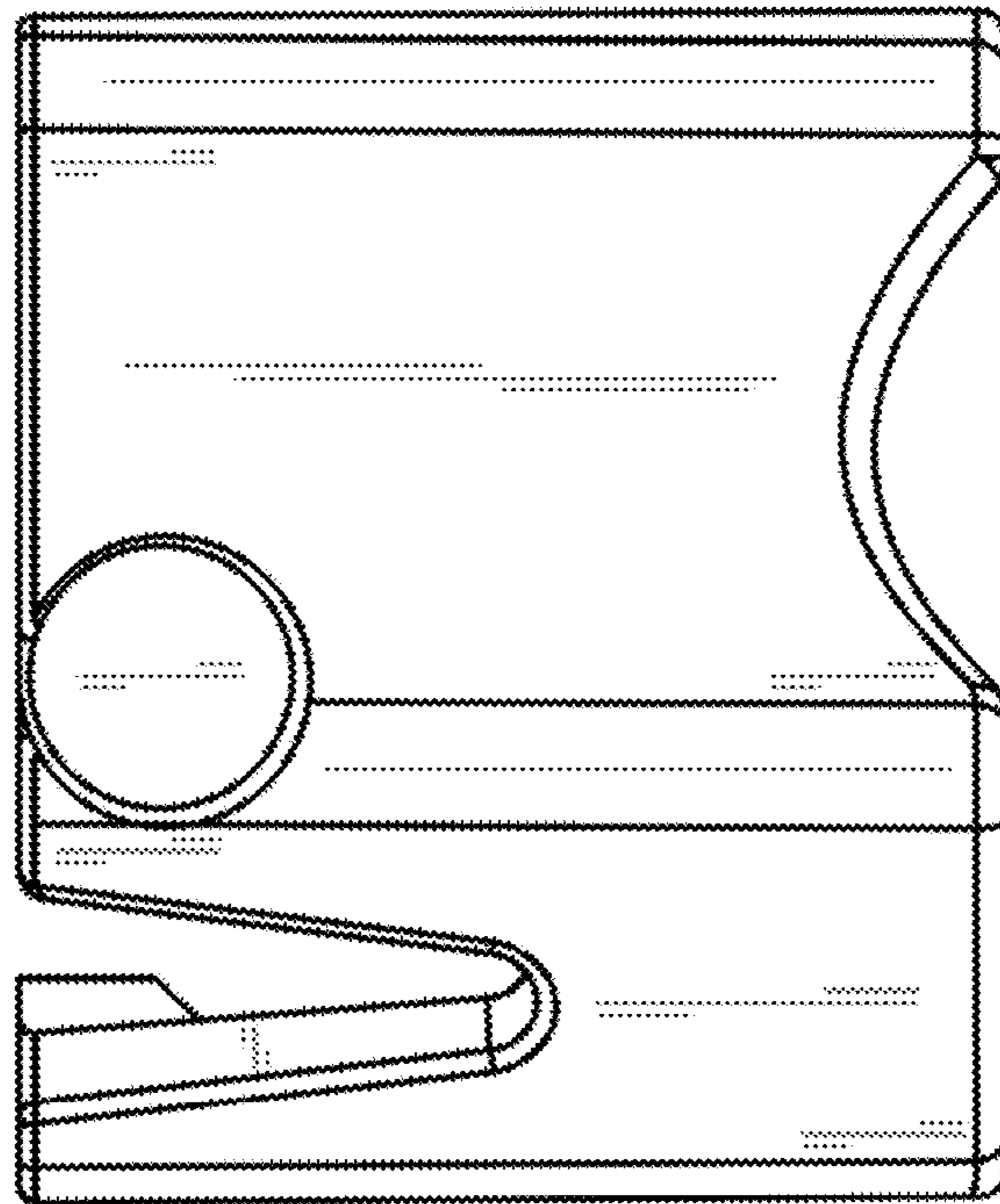


FIG. 3

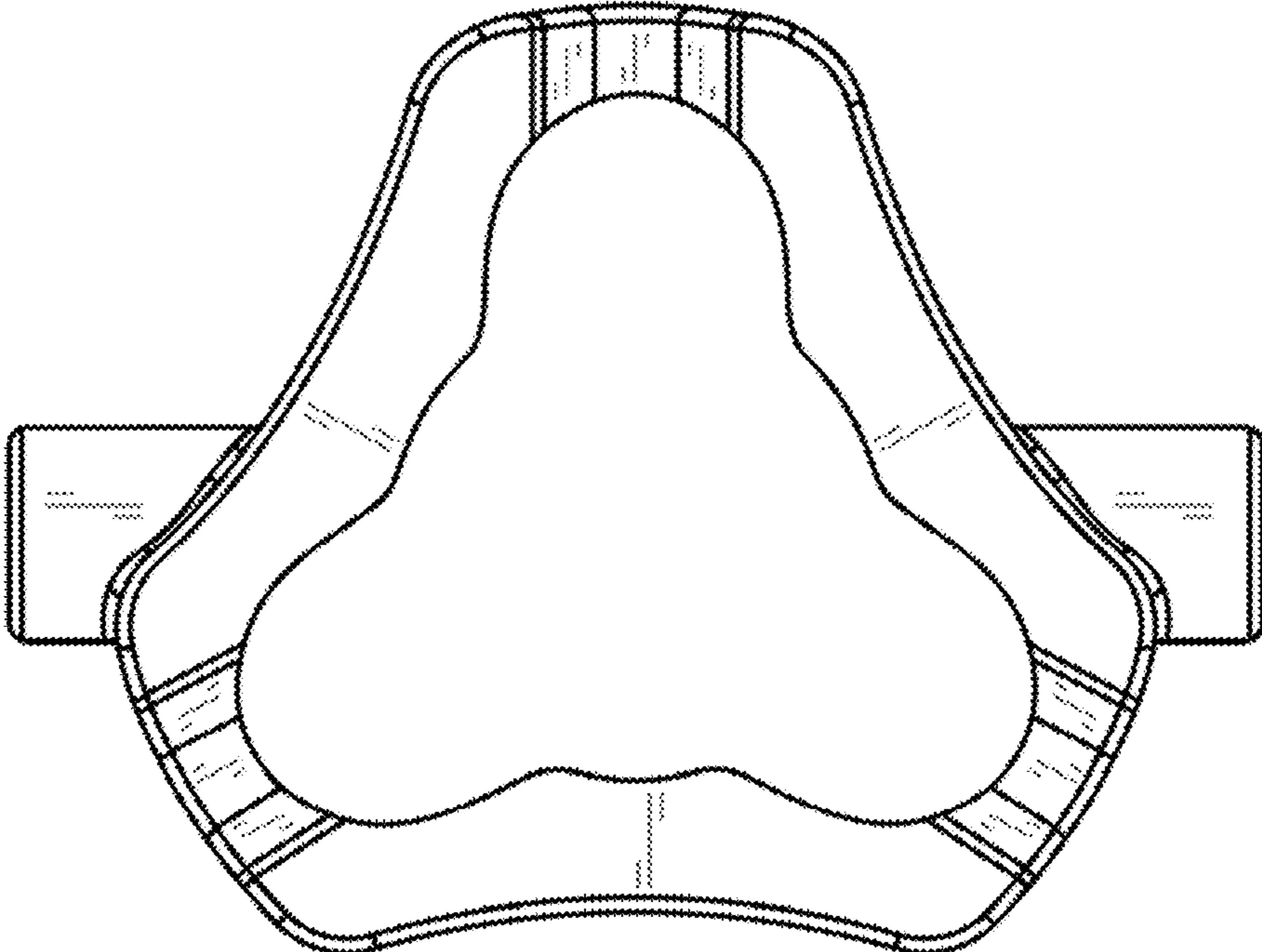


FIG. 4

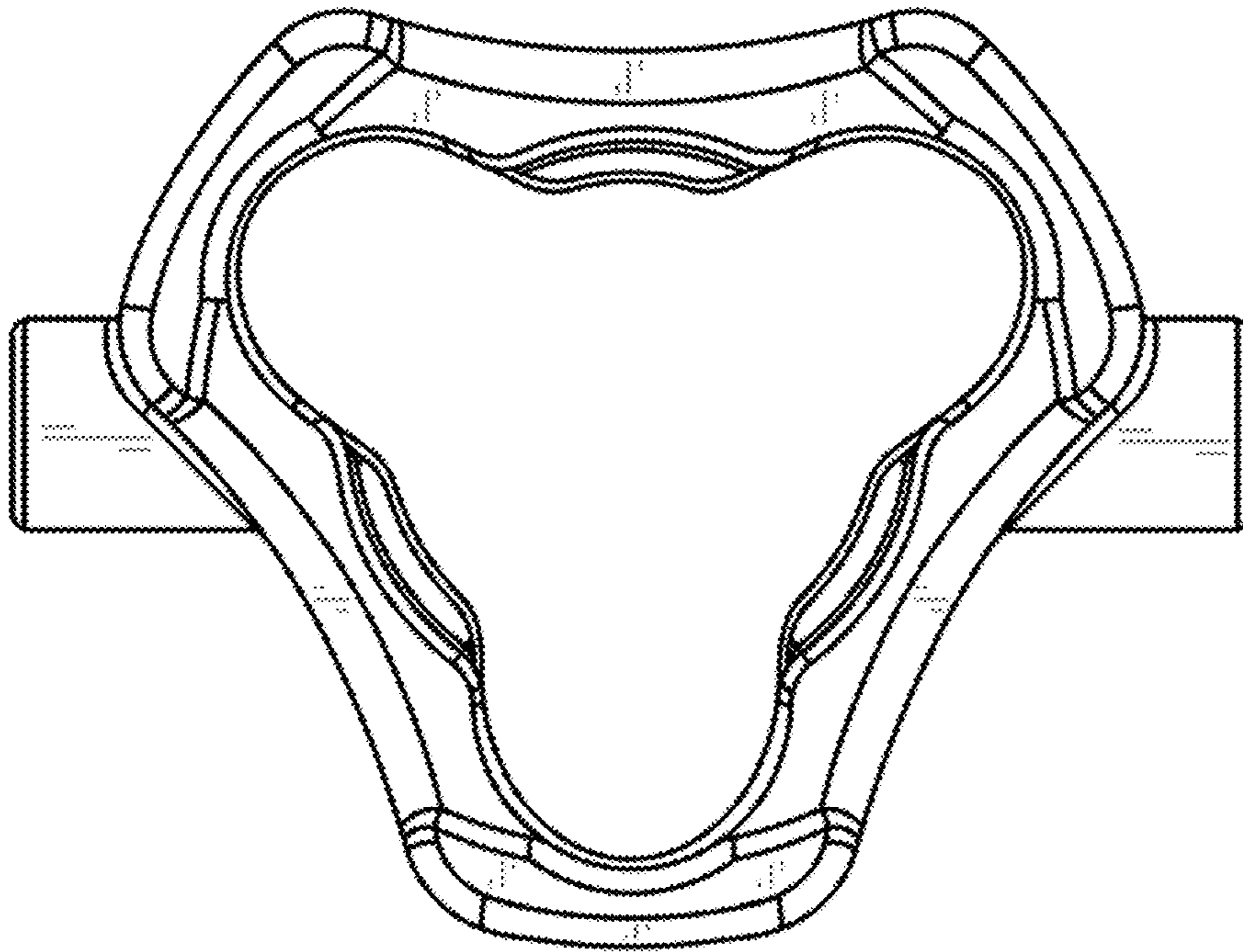


FIG. 5