



US00D825746S

(12) **United States Design Patent** (10) **Patent No.:** **US D825,746 S**
Davis et al. (45) **Date of Patent:** **** Aug. 14, 2018**

(54) **SYRINGE-TO-SYRINGE COUPLER**
 (71) Applicant: **NEOMED, INC.**, Woodstock, GA (US)
 (72) Inventors: **Benjamin Martin Davis**, Woodstock, GA (US); **Aaron N. Ingram**, Canton, GA (US); **Mark M. Costello**, Co. Mayo (IE); **John Burke**, County Roscommon (IE)

4,842,592 A 6/1989 Caggiani et al.
 D303,710 S * 9/1989 Neill D23/262
 D327,318 S * 6/1992 Dudar D24/112
 (Continued)

FOREIGN PATENT DOCUMENTS

DE 7740288 U1 5/1978
 DE 8613738 U1 7/1986
 (Continued)

(73) Assignee: **NEOMED, INC.**, Woodstock, GA (US)
 (**) Term: **15 Years**

OTHER PUBLICATIONS

Covidien ENFit Coupling; Mar. 2014; 1 pg.
 (Continued)

(21) Appl. No.: **29/530,722**
 (22) Filed: **Jun. 18, 2015**
 (51) **LOC (11) Cl.** **24-02**
 (52) **U.S. Cl.**
 USPC **D24/129**
 (58) **Field of Classification Search**
 USPC D24/127-131, 112-114, 133, 186;
 606/181, 185; 604/264, 523-528, 272,
 604/187, 158, 164.01-164.11, 181, 184,
 604/227; 600/101, 139, 143;
 128/200.24, 207.14, 207.15
 CPC A61M 25/00; A61M 39/00; A61M 27/00;
 A61M 25/0043; A61M 25/0067; A61M
 25/0097; A61F 2/958
 See application file for complete search history.

Primary Examiner — David Muller

(74) *Attorney, Agent, or Firm* — Gardner Groff Greenwald & Villanueva, PC

(57) **CLAIM**

The ornamental design for a syringe-to-syringe coupler, substantially as shown and described.

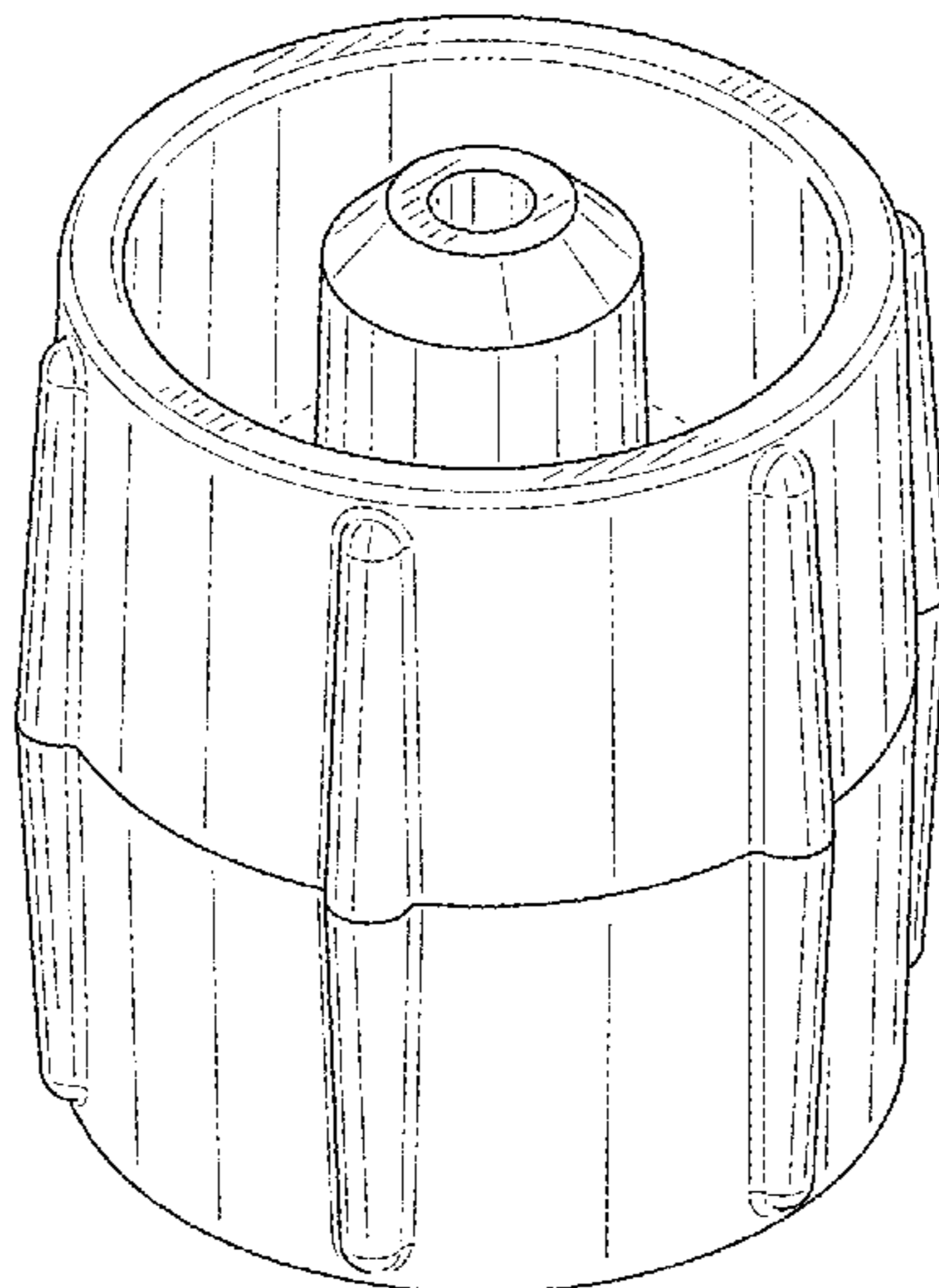
DESCRIPTION

FIG. 1 is a perspective view of a syringe-to-syringe coupler according to an embodiment of the design.
 FIG. 2 is a front view of the syringe-to-syringe coupler shown in FIG. 1, the rear view being substantially identical to the front view.
 FIG. 3 is a top view of the syringe-to-syringe coupler shown in FIG. 1, the bottom view being substantially identical to the front view.
 FIG. 4 is a first (left or right) side view of the syringe-to-syringe coupler shown in FIG. 1, the opposite side view being substantially identical to the front view; and,
 FIG. 5 is a perspective view showing the environment of a syringe-to-syringe coupler according to the design in use coupling two syringes.
 Portions shown in broken lines are for illustrative purposes only and form no part of the claimed design.

(56) **References Cited**
 U.S. PATENT DOCUMENTS

2,477,598 A 8/1949 Hain
 3,473,833 A 10/1969 Bremer
 3,572,337 A 3/1971 Schunk
 4,046,145 A 9/1977 Choksi et al.
 4,685,173 A 8/1987 Pavur
 4,743,229 A 5/1988 Chu

1 Claim, 3 Drawing Sheets



(56)

References Cited

U.S. PATENT DOCUMENTS

5,224,937 A 7/1993 van der Heiden et al.
 5,405,339 A 4/1995 Kohnen et al.
 D395,502 S * 6/1998 Deily D24/112
 D398,060 S 9/1998 Brown
 5,957,166 A 9/1999 Safabash
 D435,652 S * 12/2000 Nazarifar D23/262
 6,270,519 B1 8/2001 Botts
 D473,647 S * 4/2003 Francavilla D24/129
 6,592,251 B2 7/2003 Edwards et al.
 6,726,672 B1 4/2004 Hanly et al.
 D534,796 S * 1/2007 Falkenburg D23/262
 7,503,905 B2 3/2009 Jessop et al.
 7,523,967 B2 4/2009 Steppe
 7,594,681 B2 9/2009 DeCarlo
 7,666,170 B2 2/2010 Guala
 7,740,288 B2 6/2010 Mantell
 7,766,919 B2 8/2010 Delmotte
 7,811,278 B2 10/2010 Knipple, Jr. et al.
 7,857,284 B2 12/2010 Kimball et al.
 7,985,205 B2 7/2011 Adams
 D644,618 S 9/2011 Morihira
 8,016,795 B2 9/2011 Barrelle et al.
 8,109,902 B2 2/2012 Middleton et al.
 8,152,790 B2 4/2012 Lopez et al.
 8,303,571 B2 11/2012 Kraushaar et al.
 8,328,768 B2 12/2012 Quigley et al.
 8,398,607 B2 3/2013 Fangrow, Jr.
 8,479,370 B2 7/2013 Grant
 8,529,524 B2 9/2013 Newton et al.
 D691,261 S * 10/2013 Kawamura D24/130
 8,551,068 B2 10/2013 Kyle et al.
 8,613,738 B2 12/2013 Mantell
 8,641,685 B2 2/2014 Mansour et al.
 8,679,090 B2 3/2014 Anderson et al.
 D712,025 S * 8/2014 Kawamura D24/112
 D714,935 S * 10/2014 Nishioka D24/130
 8,852,167 B2 10/2014 Trombley, III et al.
 8,870,834 B2 10/2014 Milijasevic
 D716,636 S 11/2014 McDonald
 D717,948 S * 11/2014 Strong D24/130
 9,017,295 B2 4/2015 Pan
 9,033,938 B2 5/2015 Milijasevic
 9,073,021 B2 7/2015 Nakamura et al.
 D736,914 S * 8/2015 Schultz D24/129
 D736,915 S * 8/2015 Schultz D24/129
 D737,962 S * 9/2015 Schultz D24/129
 9,126,029 B2 9/2015 Fangrow et al.
 9,149,623 B1 10/2015 Colman
 9,289,587 B2 3/2016 Colman
 D756,200 S 5/2016 McDonald
 9,427,715 B2 8/2016 Palazzolo et al.
 9,433,562 B2 9/2016 Ingram et al.
 2005/0209555 A1 9/2005 Middleton et al.
 2006/0217679 A1 9/2006 Hanly et al.
 2007/0076401 A1 4/2007 Carrez et al.
 2008/0183153 A1 7/2008 Enns

2008/0312640 A1 12/2008 Grant
 2010/0022951 A1 1/2010 Ferrera et al.
 2011/0112543 A1 5/2011 Palazzolo et al.
 2014/0020788 A1 1/2014 Kyle et al.
 2014/0246616 A1 9/2014 Fangrow
 2014/0276466 A1 9/2014 Yeh et al.
 2014/0276651 A1 9/2014 Schultz
 2014/0323995 A1 10/2014 Clauson et al.
 2016/0001056 A1 1/2016 Nelson et al.
 2016/0030293 A1 2/2016 Dorsey et al.
 2016/0067422 A1 3/2016 Davis et al.
 2016/0067471 A1 3/2016 Ingram et al.
 2016/0143815 A1 5/2016 Koelper et al.
 2016/0159635 A1 6/2016 Davis et al.
 2016/0206845 A1 7/2016 Colman et al.
 2016/0367439 A1 12/2016 Davis et al.
 2017/0239141 A1 8/2017 Davis et al.

FOREIGN PATENT DOCUMENTS

DE 20302788 U1 6/2004
 DE 102005030510 A1 1/2007
 EP 0960616 A2 12/1999
 EP 2269685 A2 1/2011
 EP 3042691 A1 7/2016
 FR 2930428 A1 10/2009
 JP 4743229 B2 8/2011
 WO 9200717 A1 1/1992
 WO 9932155 A2 7/1999
 WO 2005065767 A2 7/2005
 WO 2009090627 A1 7/2009
 WO 2013081699 A2 6/2013
 WO 2015034045 A1 3/2015
 WO 2016089869 A1 6/2016

OTHER PUBLICATIONS

Specialty Medical Products Coupling (Item Code SMP-SCFF); Apr. 10, 2014; 1 pg.
 Alternative Syringes Low Displacement Option PowerPoint Presentation; Presented by Rork Swisher of Covidien; ISO 80369 Series Meeting; Berlin Germany; 11 pgs; Mar. 19, 2014.pgs.
 International Search Report & Written Opinion for PCT/US2016/023771; dated Jun. 27, 2016; 17 pgs.
 International Search Report & Written Opinion for PCT/US2016/038051; dated Sep. 2, 2016; 13 pgs.
 International Search Report & Written Opinion for PCT/US2016/042514; Nov. 10, 2016; 12 pgs.
 International Search Report & Written Opinion for PCT/US2017/019021; dated Sep. 22, 2017; 20 pgs.
 Invitation to Pay Additional Fees for PCT/US2017/019021; Jun. 6, 2017; 12 pgs.
 New ISO Tubing Connector Standards: A Follow-Up to the Sentinel Event Alert Webinar PowerPoint Presentation; www.jointcommission.org; 50 pgs; Dec. 3, 2014.
 New Tube Feeding Connectors Webinar PowerPoint Presentation; www.oley.org; 24 pgs; Jun. 24, 2014.

* cited by examiner

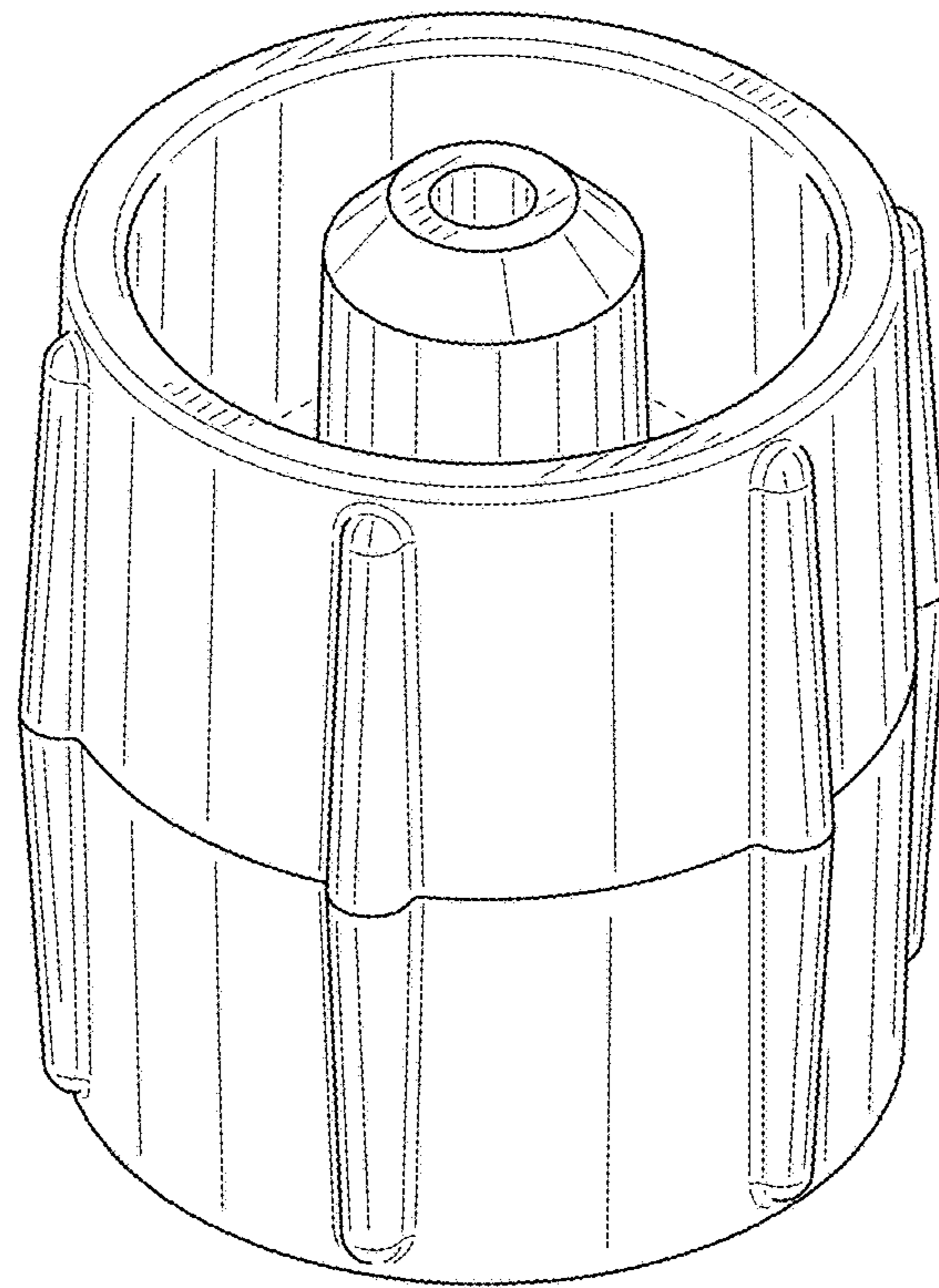


FIG. 1

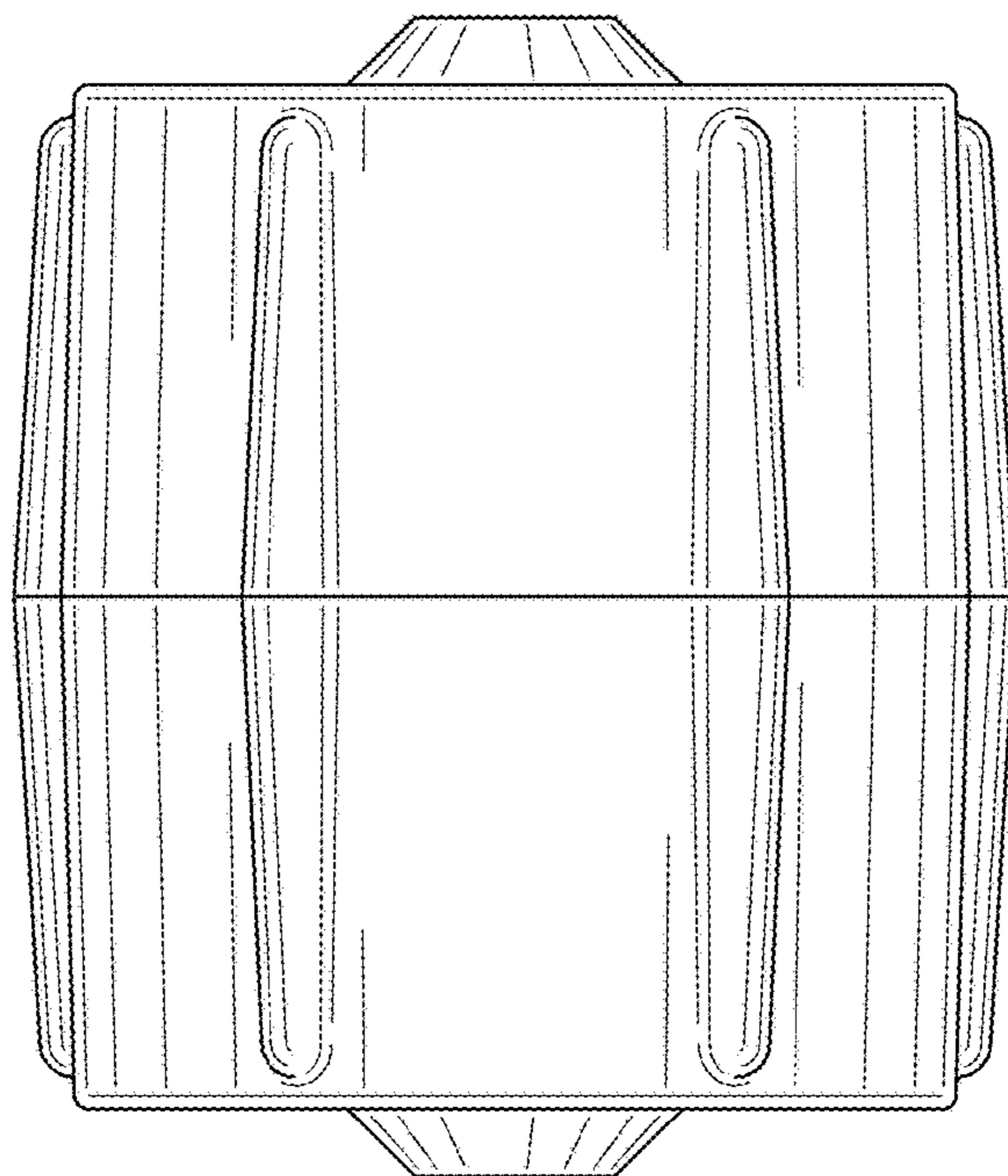


FIG. 2

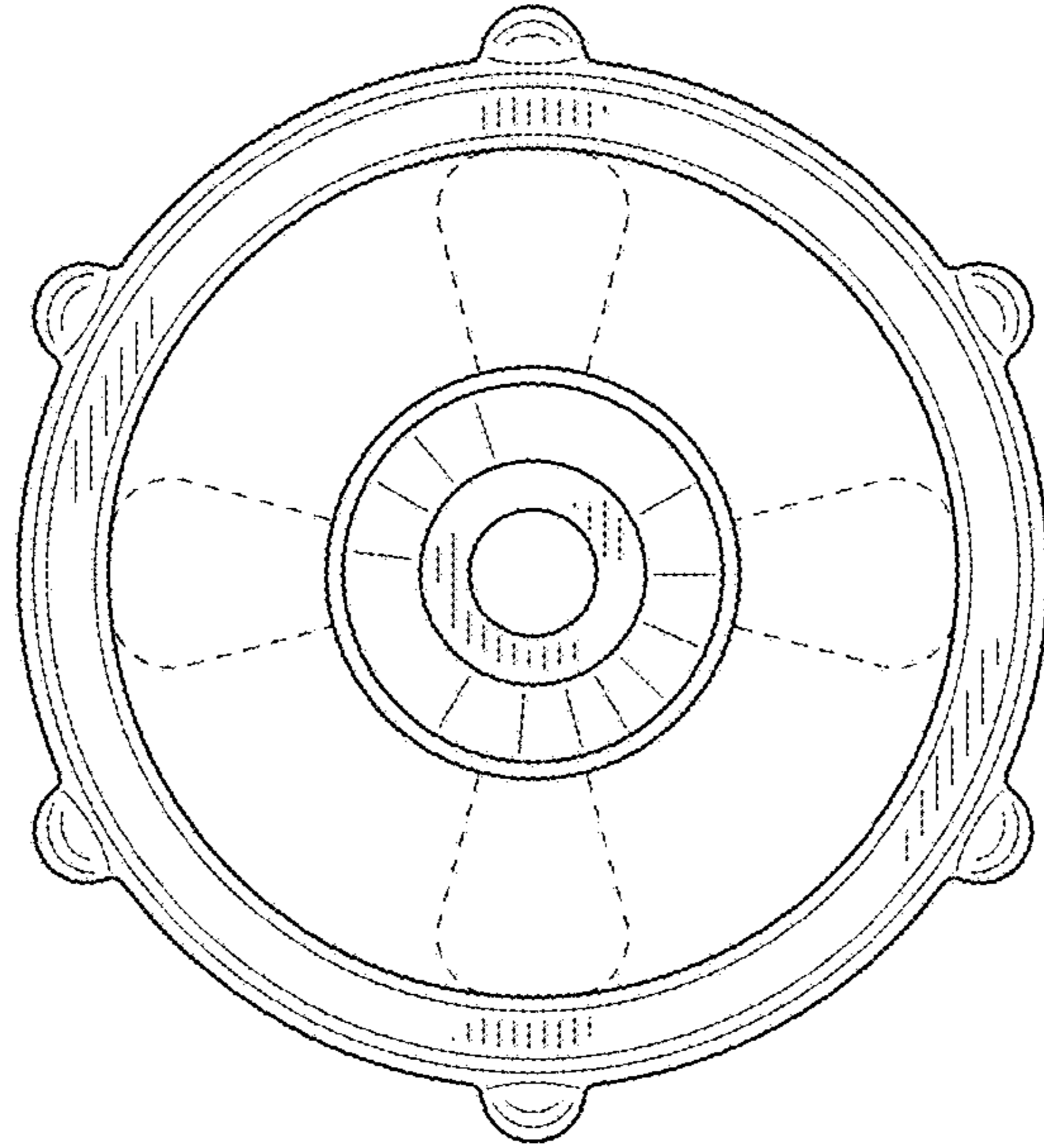


FIG. 3

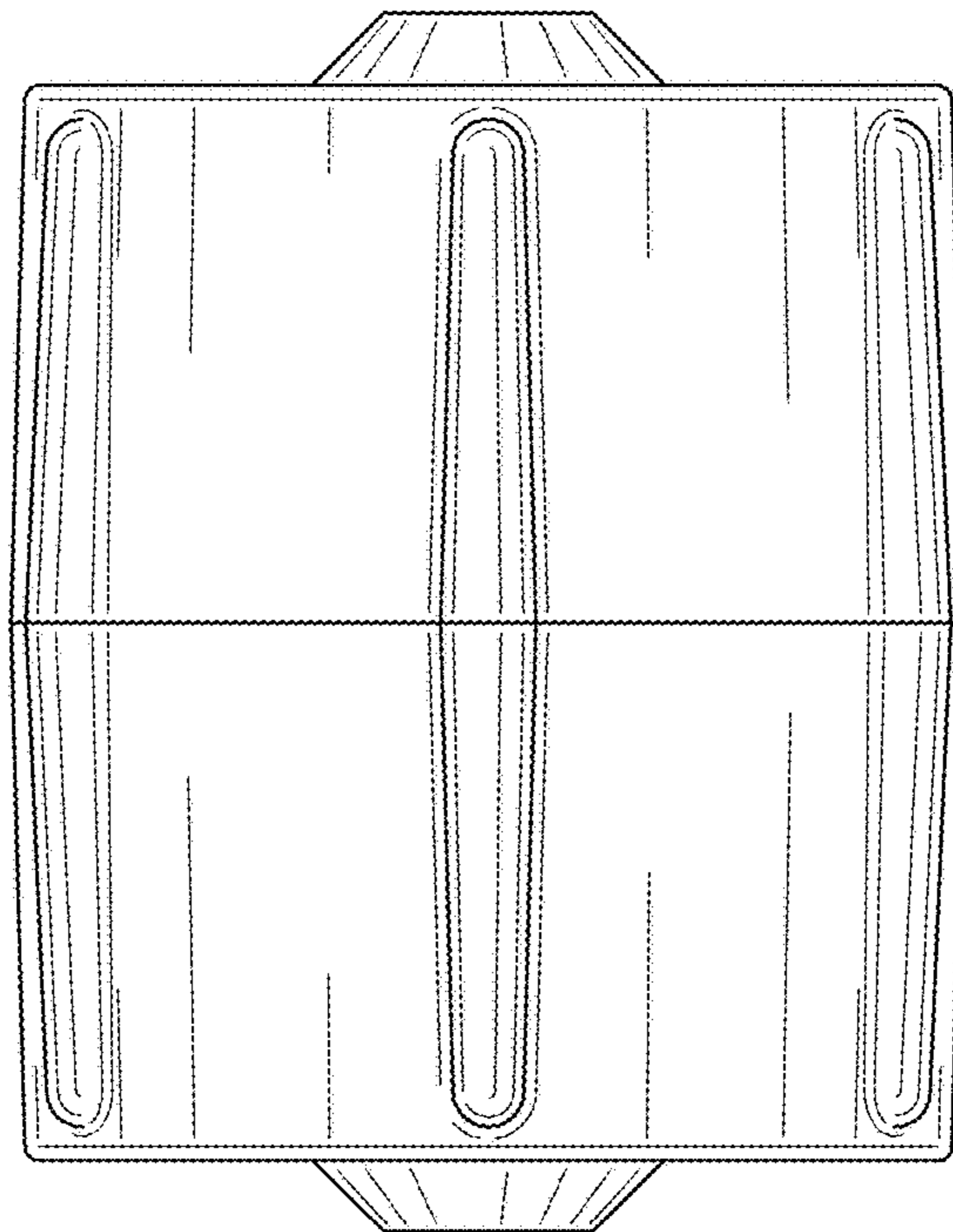


FIG. 4

