

US00D825745S

(12) **United States Design Patent**
Barchen

(10) **Patent No.:** **US D825,745 S**

(45) **Date of Patent:** **** Aug. 14, 2018**

(54) **DEVICE FOR INSERTION OF A GUIDEWIRE INTO A CATHETER**

(71) Applicant: **Biometrix Ltd.**, Jerusalem (IL)

(72) Inventor: **Lior Barchen**, Jerusalem (IL)

(73) Assignee: **Biometrix Ltd.**, Jerusalem (IL)

(**) Term: **15 Years**

(21) Appl. No.: **29/579,263**

(22) Filed: **Sep. 29, 2016**

(51) **LOC (11) Cl.** **24-02**

(52) **U.S. Cl.**
USPC **D24/128**

(58) **Field of Classification Search**
USPC D24/127–131, 112–114, 133, 186;
606/181, 185; 604/264, 523–528, 272,
604/187, 158, 164.01–164.11, 181, 184,
604/227; 600/101, 139, 143;
128/200.24, 207.14, 207.15
CPC .. A61M 25/065; A61M 5/42; A61M 25/0612;
A61M 39/00; A61M 27/00; A61M
25/0043; A61M 25/00; A61M 25/0067;
A61M 25/0097; A61F 2/958

See application file for complete search history.

(56) **References Cited**

U.S. PATENT DOCUMENTS

4,898,587 A * 2/1990 Mera A61M 25/02
128/DIG. 26
5,954,643 A * 9/1999 VanAntwerp A61B 5/14532
600/316

6,663,604 B1 * 12/2003 Huet A61M 5/3275
604/263
7,220,242 B2 * 5/2007 Putter A61M 5/158
604/93.01
7,892,216 B2 * 2/2011 Fangrow, Jr. A61M 5/158
604/288
8,622,978 B2 * 1/2014 Bertrand A61M 27/006
604/248
8,708,961 B2 * 4/2014 Field A61M 5/14224
604/131
9,173,996 B2 * 11/2015 Gray A61M 5/1456
9,199,062 B2 * 12/2015 Liska A61M 25/0606
9,211,379 B2 * 12/2015 Mejlhede A61M 5/158
D756,504 S * 5/2016 Sonderegger D24/108
9,375,551 B2 * 6/2016 Harding A61M 25/0606
9,572,942 B2 * 2/2017 Conrad-Vlasak A61F 13/00

* cited by examiner

Primary Examiner — David Muller

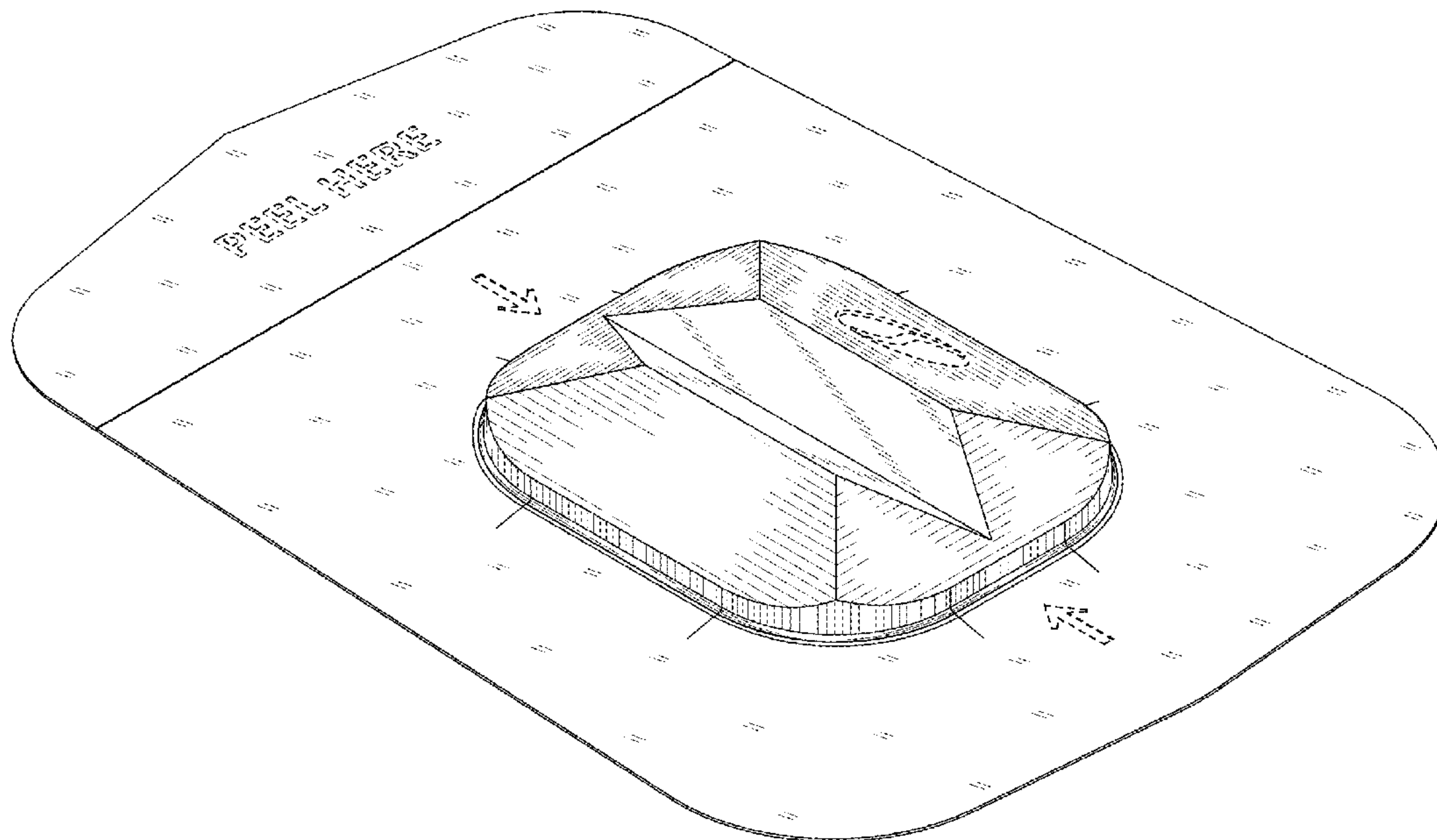
(57) **CLAIM**

The ornamental design for a device for insertion of a guidewire into a catheter, as shown and described.

DESCRIPTION

FIG. 1 is a perspective top view of a device for insertion of a guidewire into a catheter;
FIG. 2 is a front view thereof;
FIG. 3 is a rear view thereof;
FIG. 4 is a right side view thereof;
FIG. 5 is a left side view thereof;
FIG. 6 is a top view thereof; and,
FIG. 7 is a bottom view thereof.
The elements shown in broken lines are included for the purpose of illustrating environment and form no part of the claimed design.

1 Claim, 3 Drawing Sheets



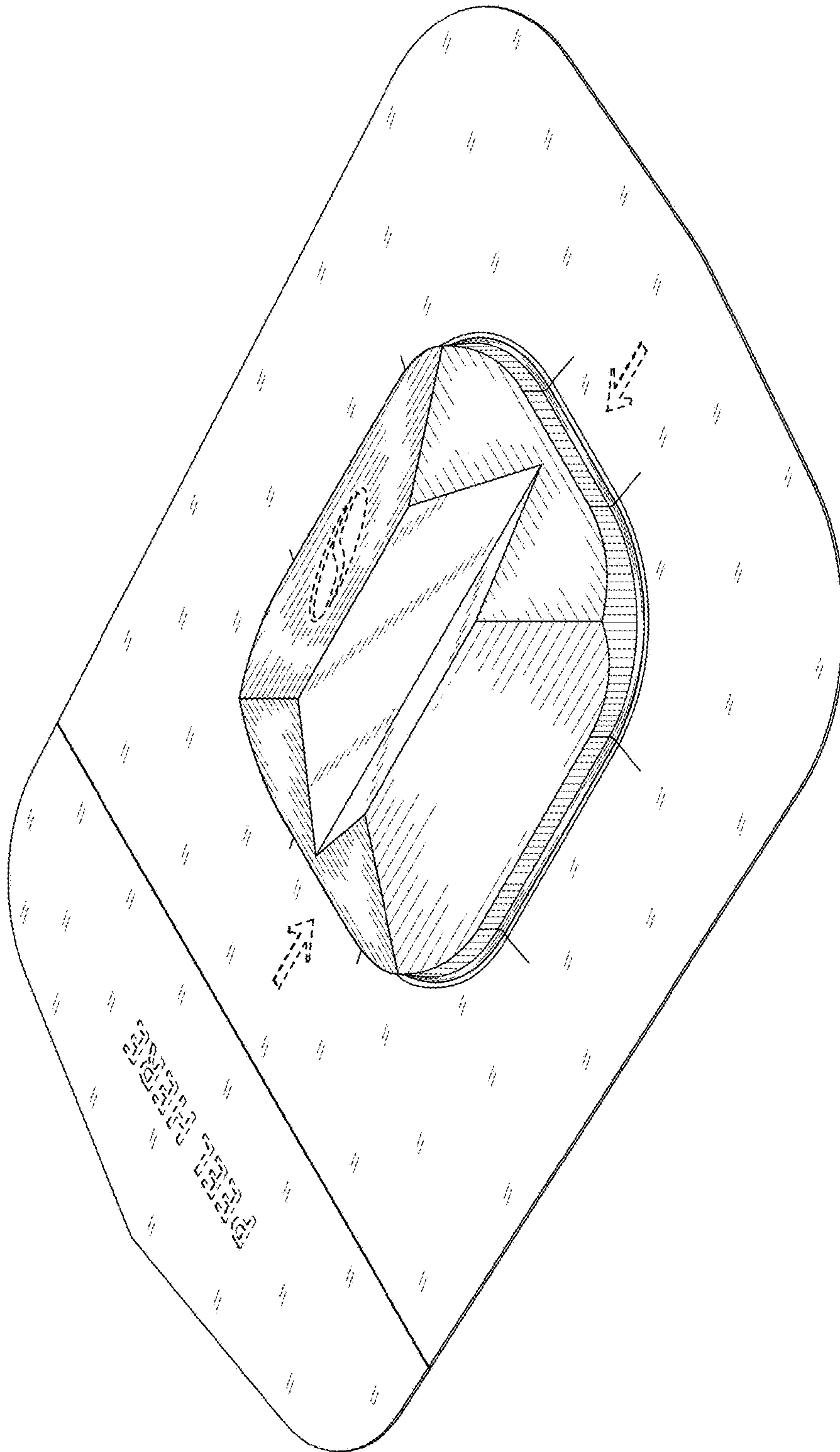


FIG. 1

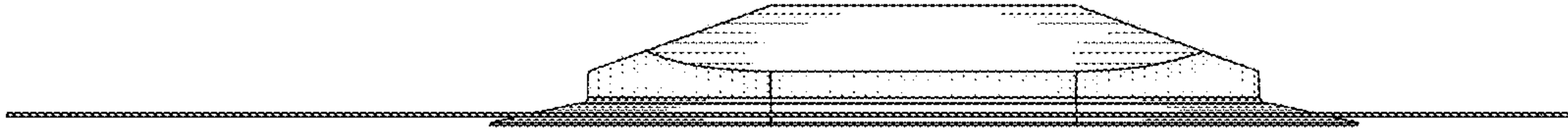


FIG. 2

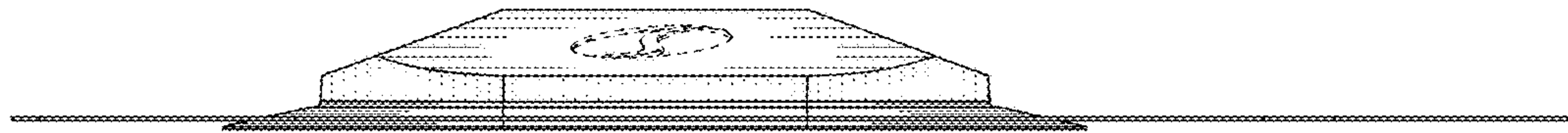


FIG. 3

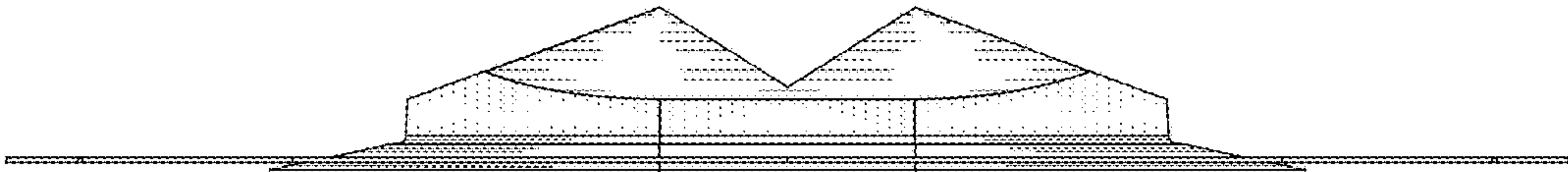


FIG. 4

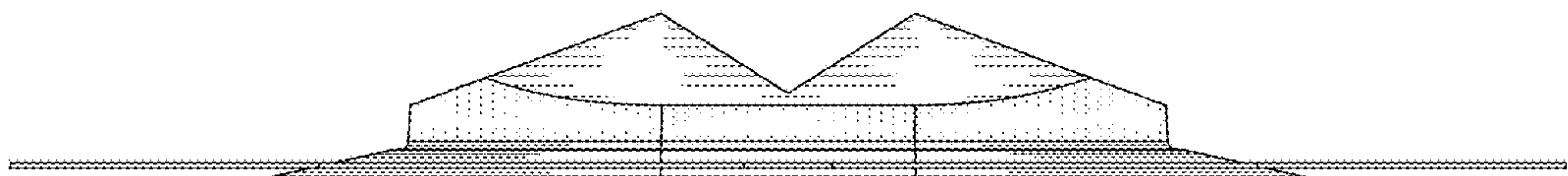


FIG. 5

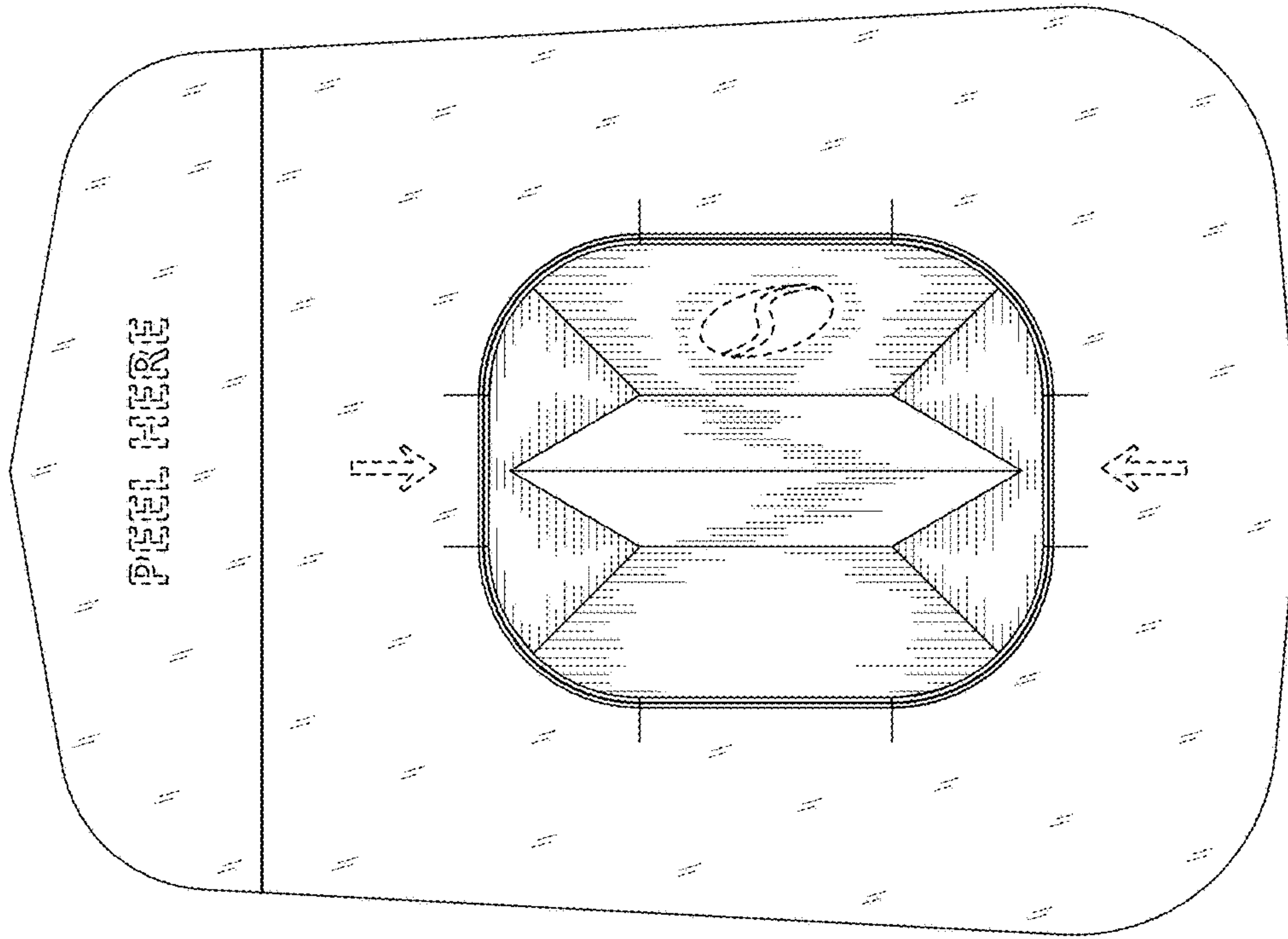


FIG. 6

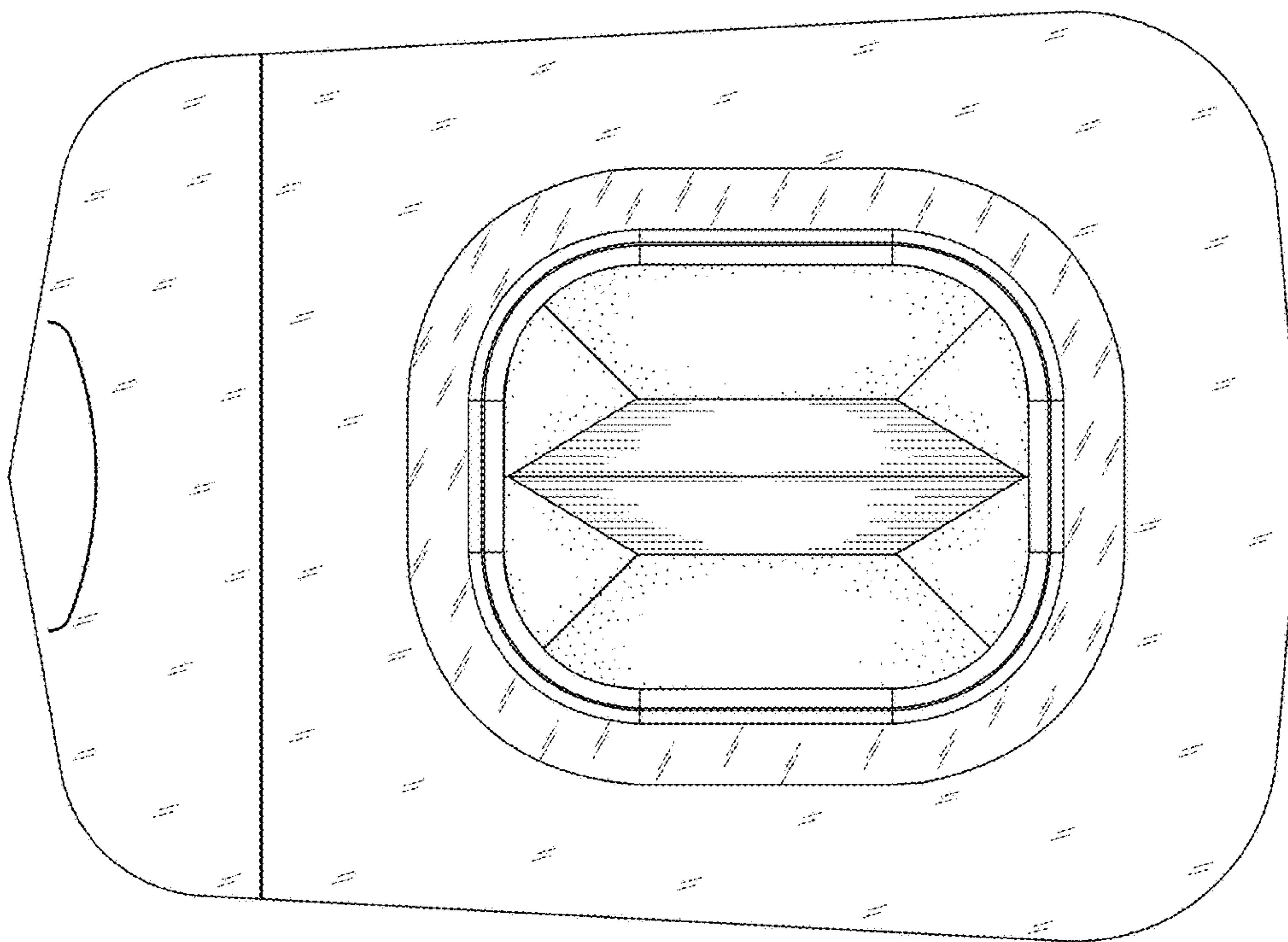


FIG. 7