



US00D825742S

(12) **United States Design Patent** (10) **Patent No.:** **US D825,742 S**  
**Mahood** (45) **Date of Patent:** **\*\* Aug. 14, 2018**

(54) **OSTOMY APPLIANCE SEAL**  
(71) Applicant: **T.G. Eakin Limited**, Comber, Co  
Down (GB)  
(72) Inventor: **Benjamin Derek Mahood**, Comber  
(GB)  
(73) Assignee: **T.G. Eakin Limited**, Comber (GB)  
(\*\*) Term: **15 Years**

D607,559 S \* 1/2010 Schena ..... D24/118  
D743,552 S \* 11/2015 Bronnimann ..... D24/155  
D747,807 S \* 1/2016 Ekfeldt ..... D24/155  
D778,435 S \* 2/2017 Grogan ..... D24/118

\* cited by examiner

*Primary Examiner* — Garth Rademaker  
*Assistant Examiner* — Samantha Q. Lawrence  
(74) *Attorney, Agent, or Firm* — Sullivan & Worcester  
LLP

(21) Appl. No.: **29/555,408**  
(22) Filed: **Feb. 22, 2016**

(57) **CLAIM**

I claim the ornamental design for an ostomy appliance seal,  
as shown and described.

(30) **Foreign Application Priority Data**

**DESCRIPTION**

Dec. 23, 2015 (EM) ..... 2921494  
(51) **LOC (11) Cl.** ..... **24-02**  
(52) **U.S. Cl.**  
USPC ..... **D24/118**  
(58) **Field of Classification Search**  
USPC ..... D24/130, 127, 133, 129, 112–114, 186,  
D24/108, 118; 604/332, 334, 337, 339;  
600/32, 101, 139, 143  
See application file for complete search history.

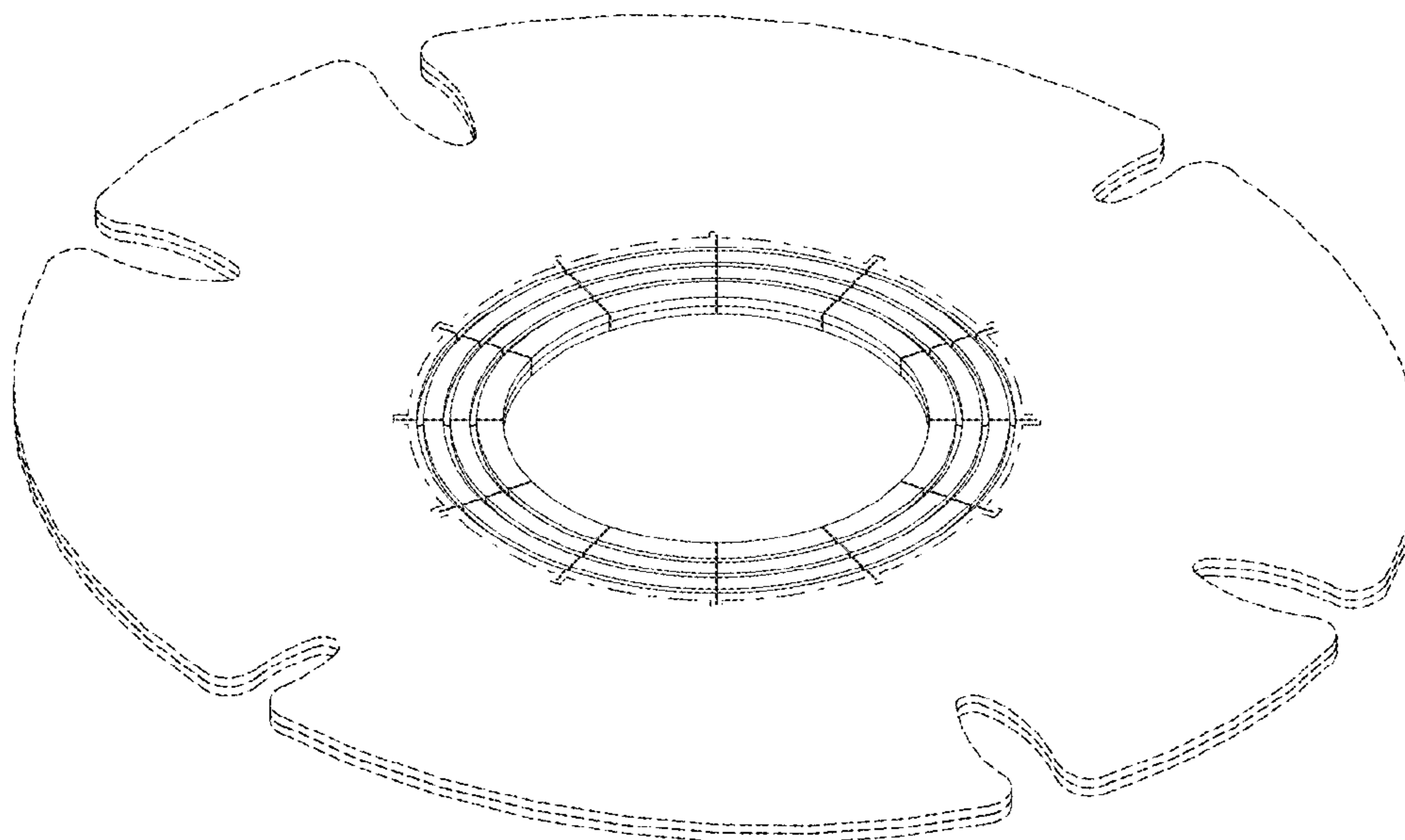
FIG. 1 is a front perspective view of an ostomy appliance seal;  
FIG. 2 is a top view thereof;  
FIG. 3 is a bottom view thereof;  
FIG. 4 is a cross sectional view thereof, taken along the  
indicia 4 shown in FIG. 2; and,  
FIG. 5 is a front perspective view thereof showing the  
interior fingers of the ostomy appliance seal in a flexed  
position.  
The evenly-spaced broken lines shown in FIGS. 1-5 illus-  
trate portions of the ostomy appliance seal that form no part  
of the claimed design. The unevenly-spaced broken lines  
shown in FIGS. 1-5 illustrate boundary lines which form no  
part of the claimed design. In FIG. 2 indicia 4 shows where  
the cross section of FIG. 4 originates and forms no part of  
the claimed design.

(56) **References Cited**

**U.S. PATENT DOCUMENTS**

D257,063 S \* 9/1980 Galindo ..... D24/127  
D345,418 S \* 3/1994 Fenton ..... D24/118  
D354,560 S \* 1/1995 Chase ..... D24/118  
D460,550 S \* 7/2002 Falconer ..... D24/118  
D516,212 S \* 2/2006 Persson ..... D24/128

**1 Claim, 5 Drawing Sheets**



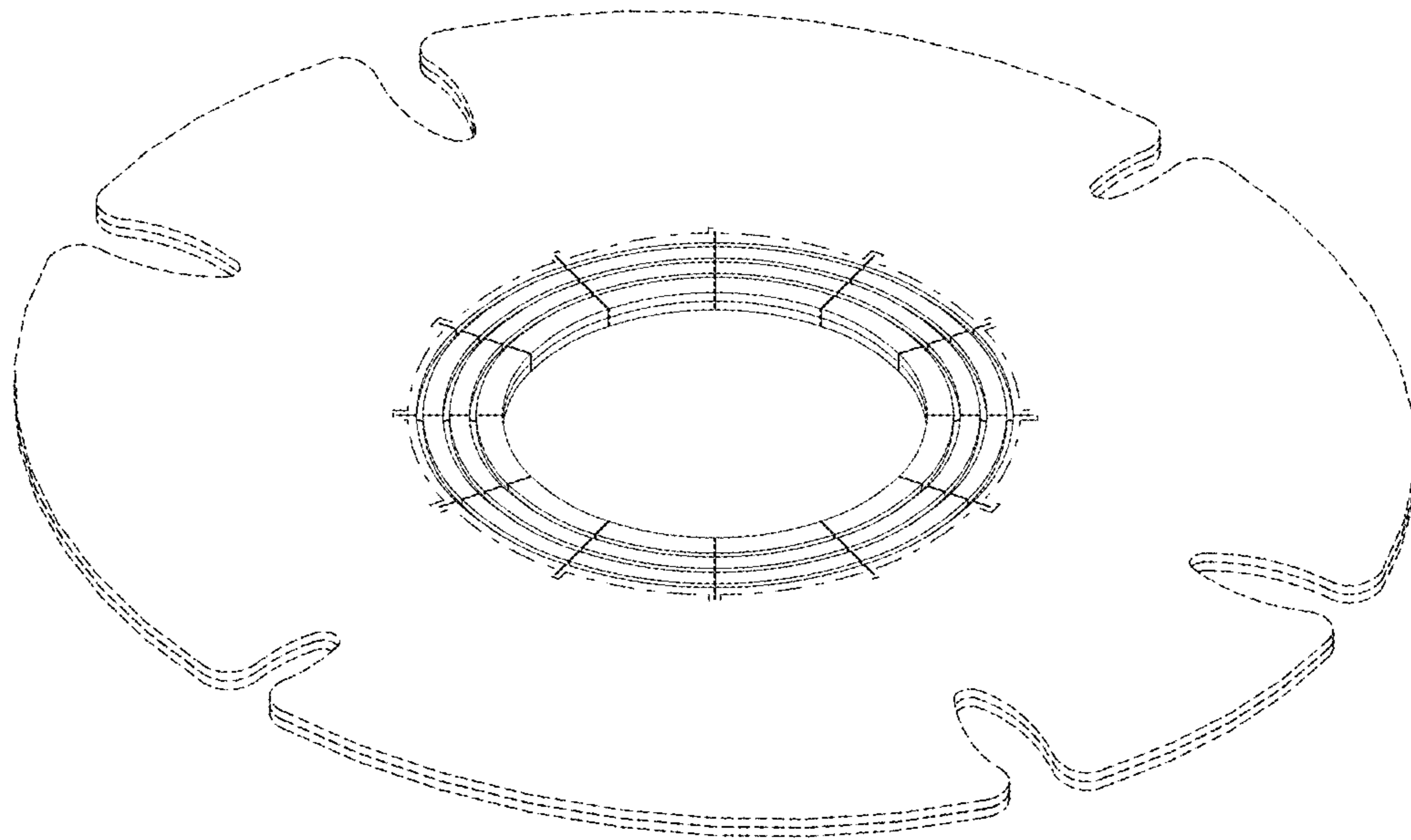


FIG. 1

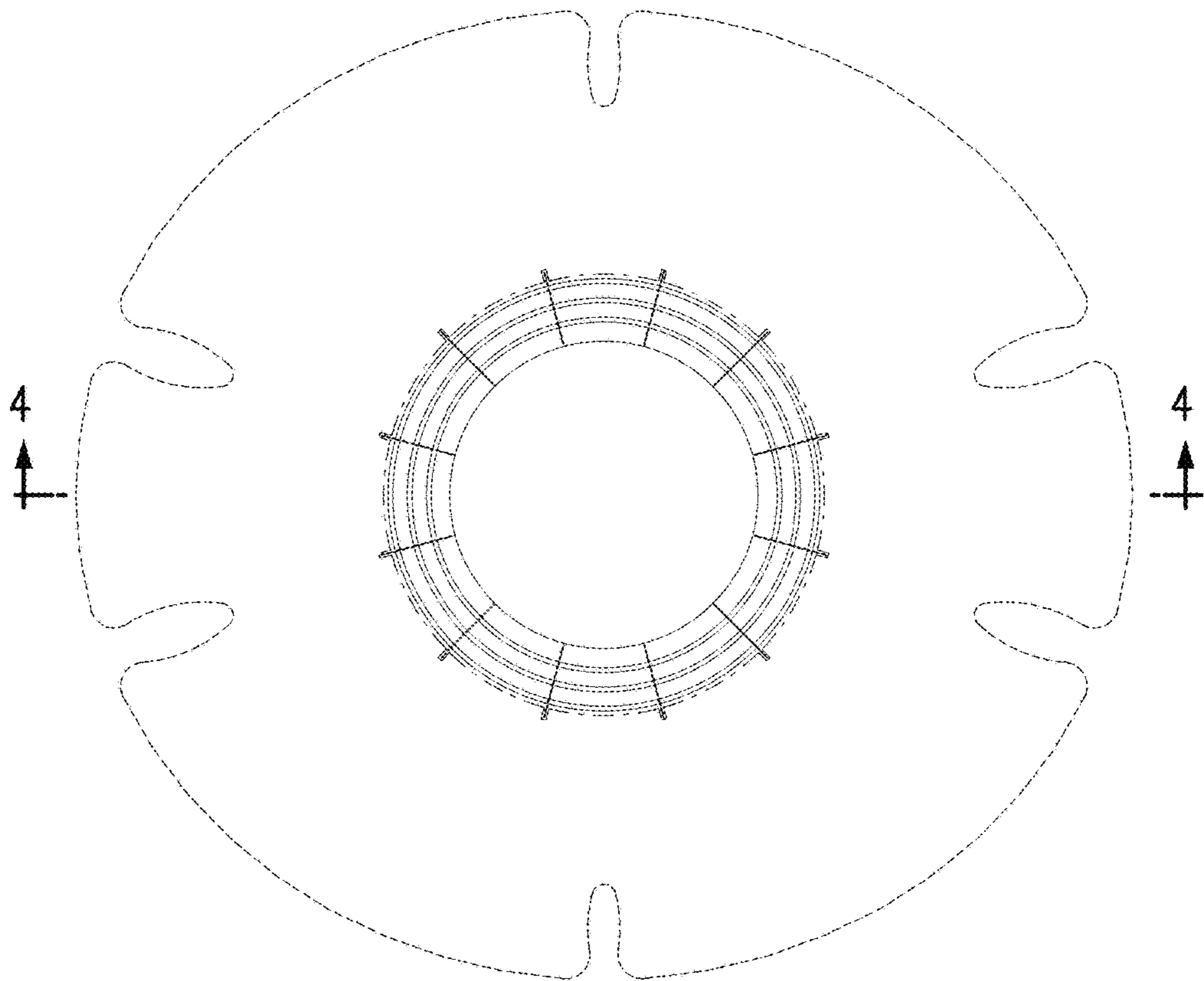


FIG. 2

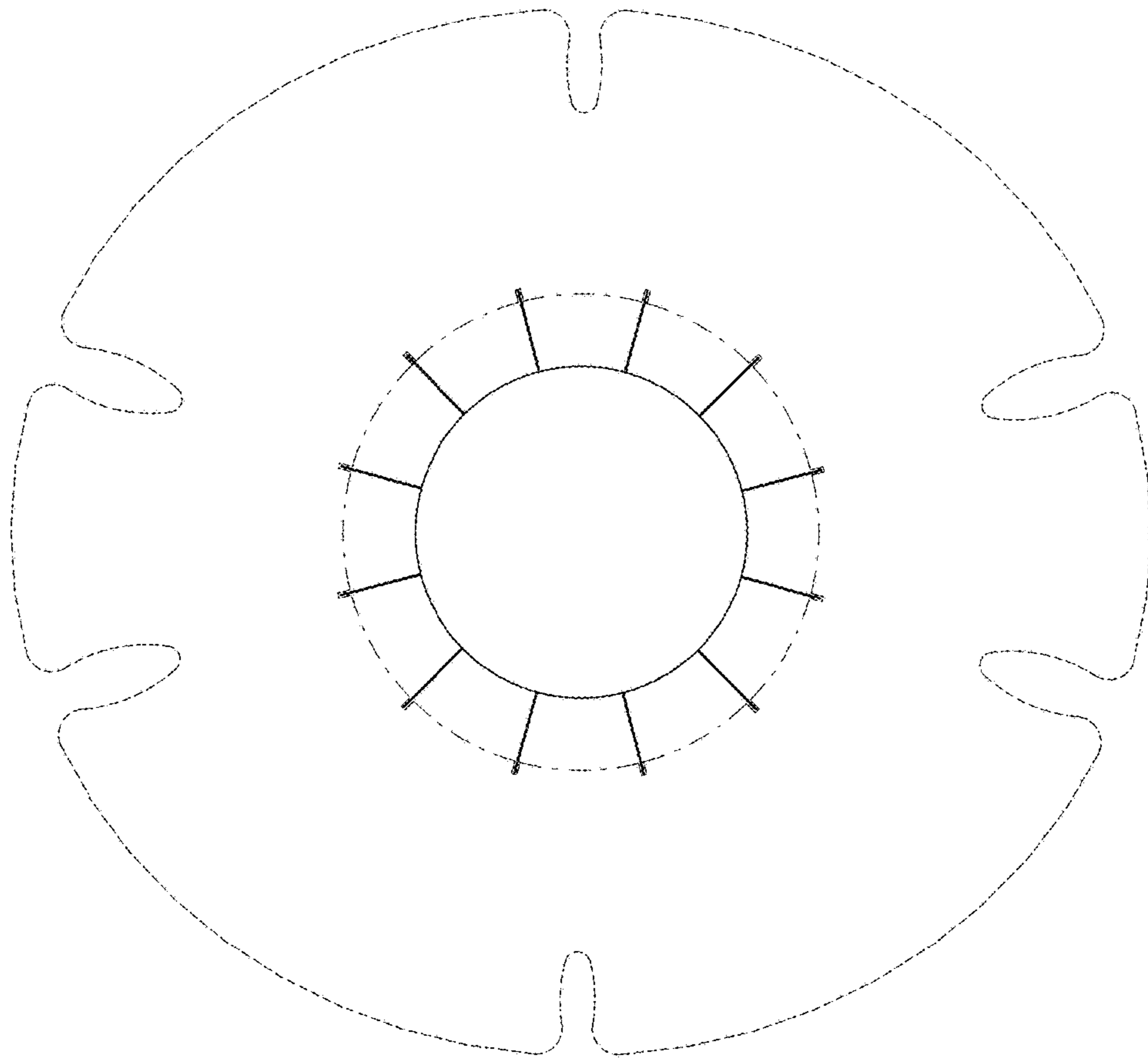


FIG. 3

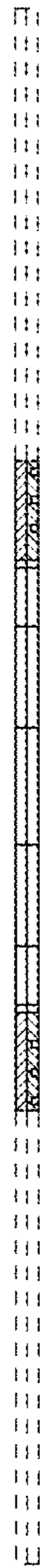


FIG. 4

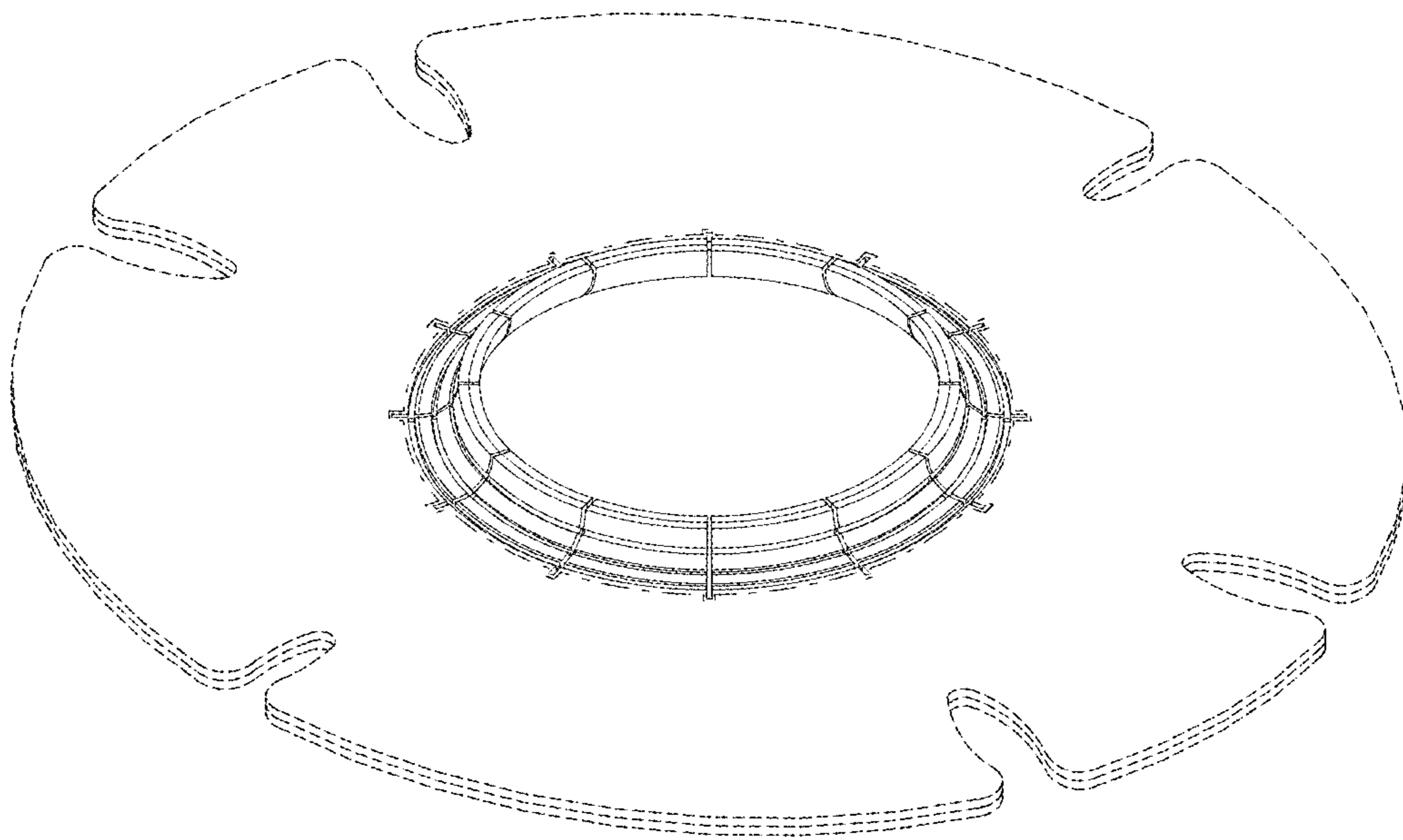


FIG. 5