



US00D825737S

(12) **United States Design Patent**
Yokoyama

(10) **Patent No.:** **US D825,737 S**

(45) **Date of Patent:** **** Aug. 14, 2018**

(54) **OXYGEN MASK CONNECTOR**

D703,560 S * 4/2014 Matusik D10/96
D703,561 S * 4/2014 Matusik D10/96
D712,766 S * 9/2014 Matusik D10/96

(Continued)

(71) Applicant: **Brilliant Group Headquarters Co., Ltd.**, Tokyo (JP)

(72) Inventor: **Mitsuhiko Yokoyama**, Nagano (JP)

(73) Assignee: **BRILLIANT GROUP HEADQUARTERS CO., LTD.**, Tokyo (JP)

FOREIGN PATENT DOCUMENTS

JP 3192368 U 8/2014
JP 1527173 S 6/2015

(Continued)

(**) Term: **15 Years**

(21) Appl. No.: **29/611,944**

(22) Filed: **Jul. 27, 2017**

(30) **Foreign Application Priority Data**

Feb. 17, 2017 (JP) 2017-003072

(51) **LOC (11) Cl.** **24-01**

(52) **U.S. Cl.**
USPC **D24/108; D24/129**

(58) **Field of Classification Search**
USPC D24/108, 110.1, 110.4, 110.6, 127, 129
CPC A61M 16/06; A61M 16/0683; A61M 16/0816; A61M 16/0875; A61M 16/208; A61M 16/00; A62B 18/02; A62B 18/10
See application file for complete search history.

(56) **References Cited**

U.S. PATENT DOCUMENTS

3,182,659 A * 5/1965 Blount A61M 11/06
128/200.21
3,977,432 A * 8/1976 Vidal A61M 16/06
128/205.11
D245,921 S * 9/1977 Beran D23/262
4,945,918 A * 8/1990 Abernathy A61B 5/0836
128/202.13
D355,484 S * 2/1995 Rinehart D24/110.1
D655,411 S * 3/2012 Schroeder D24/129
D703,558 S * 4/2014 Matusik D10/96

OTHER PUBLICATIONS

Taiwanese Notification of Reason for Refusal of Taiwan Design Patent Application dated Apr. 16, 2018 for Application No. TW 106304272, 3 pgs.

Primary Examiner — Karen E Kearney

Assistant Examiner — Lilyana Bekic

(74) *Attorney, Agent, or Firm* — Frost Brown Todd LLC

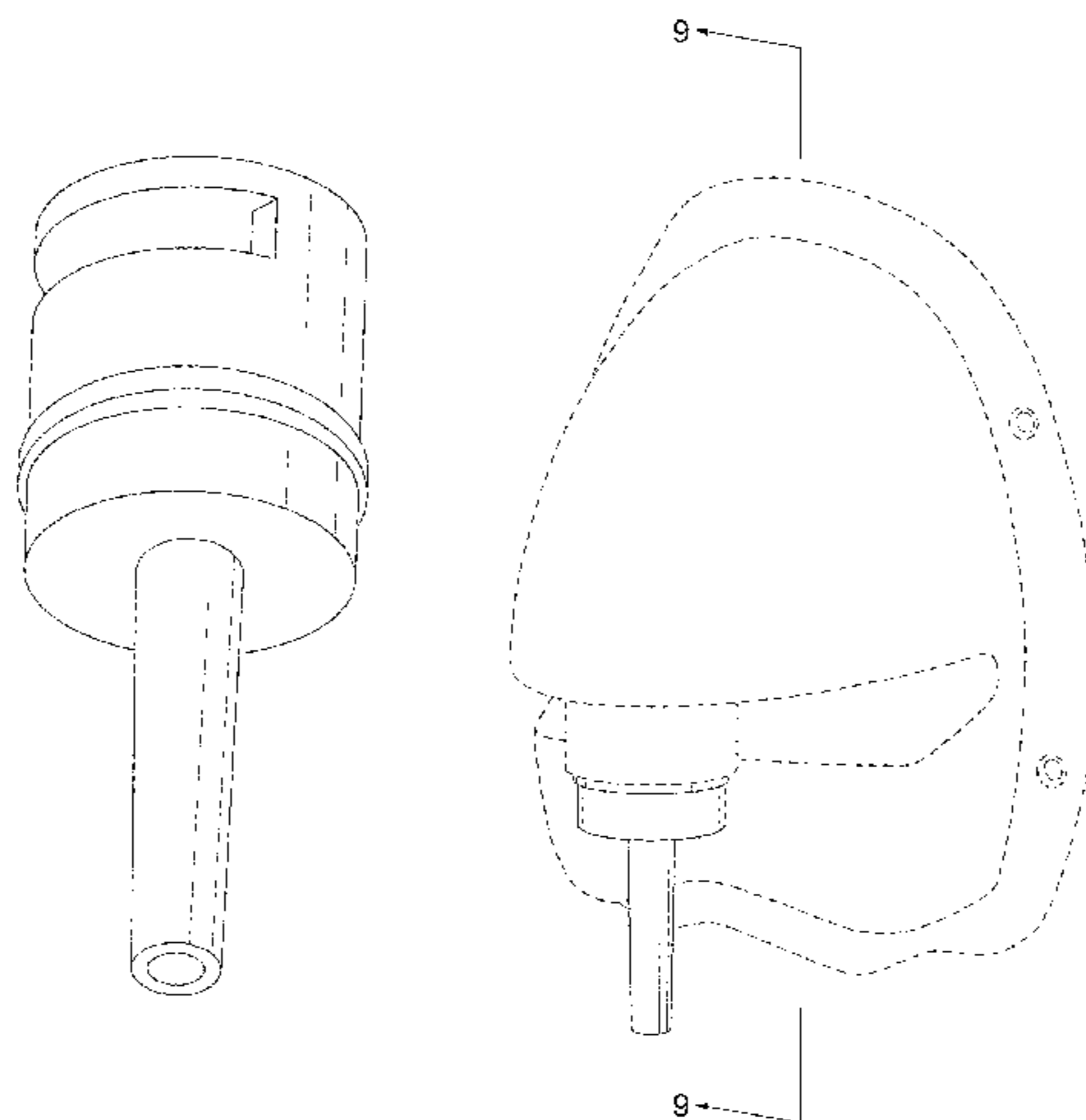
(57) **CLAIM**

The ornamental design for an oxygen mask connector, as shown and described.

DESCRIPTION

FIG. 1 is a rear perspective view of an oxygen mask connector, showing my new design;
FIG. 2 is a front perspective view thereof, shown attached to an oxygen mask;
FIG. 3 is a front elevation view thereof;
FIG. 4 is a rear elevation view thereof;
FIG. 5 is a left side elevation view thereof;
FIG. 6 is a right side elevation view thereof;
FIG. 7 is a bottom plan view thereof;
FIG. 8 is a top plan view thereof; and,
FIG. 9 is a cross-sectional view thereof, taken along line 9-9 of FIG. 2.
The oxygen mask shown in broken lines in FIGS. 2-9 depicts environment and forms no part of the claimed design.

1 Claim, 6 Drawing Sheets



(56)

References Cited

U.S. PATENT DOCUMENTS

D712,767 S * 9/2014 Matusik D10/96
D713,276 S * 9/2014 Matusik D10/96
2002/0124845 A1* 9/2002 Lauer A61M 16/08
128/202.27
2006/0032500 A1* 2/2006 Ghiron A61M 16/06
128/202.27
2009/0260628 A1* 10/2009 Flynn, Sr. A61M 16/0078
128/203.28
2012/0111330 A1* 5/2012 Gartner A61M 16/06
128/205.23
2013/0060157 A1* 3/2013 Beard A61M 16/06
600/532
2014/0251333 A1* 9/2014 Burk A61M 16/0816
128/205.12
2015/0335847 A1* 11/2015 Matsubara A61M 16/06
128/205.25
2016/0038709 A1* 2/2016 Beard A61B 5/097
128/205.12
2016/0235938 A1* 8/2016 Khabiri A61M 16/085

FOREIGN PATENT DOCUMENTS

JP 1527173 U 6/2015
JP 1545511 S 3/2016
JP 1545511 U 3/2016
JP 1552369 S 6/2016
JP 1552369 U 6/2016
TW D136431 S1 8/2010

* cited by examiner

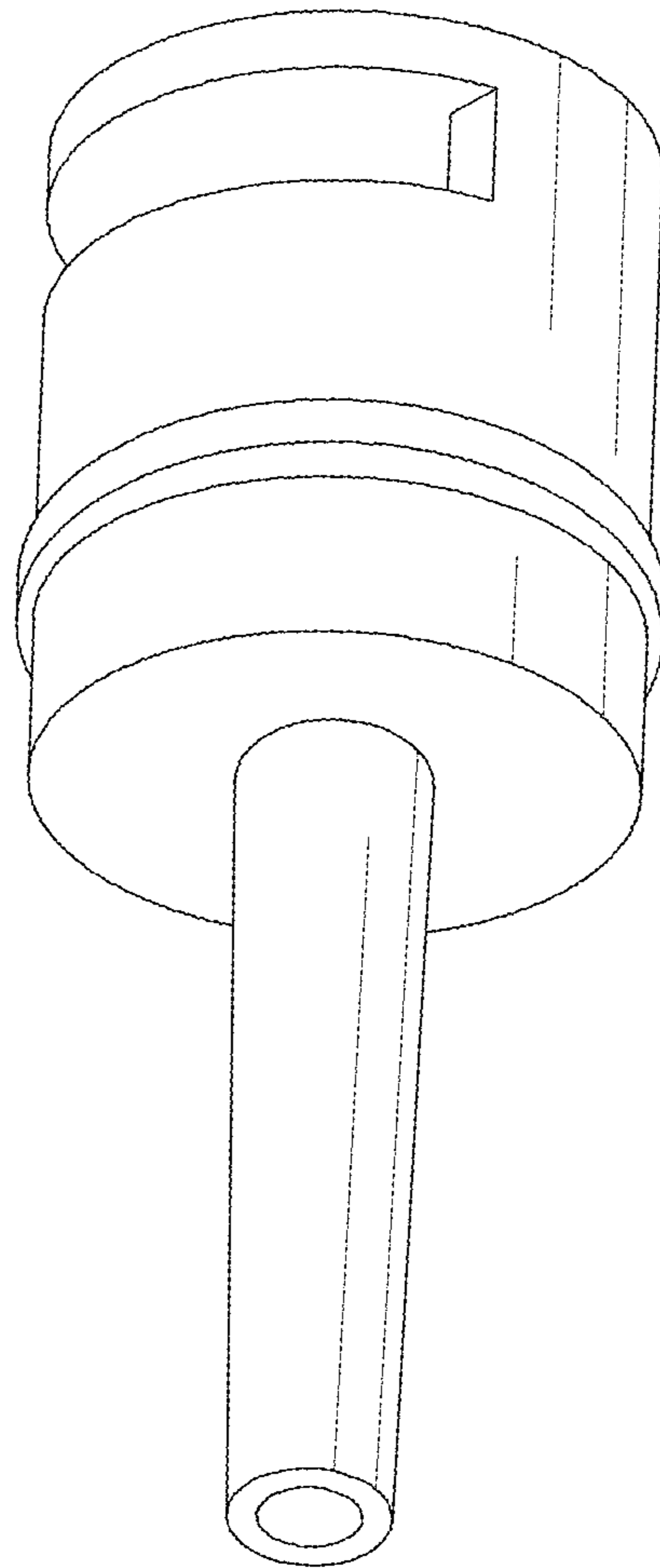


FIG. 1

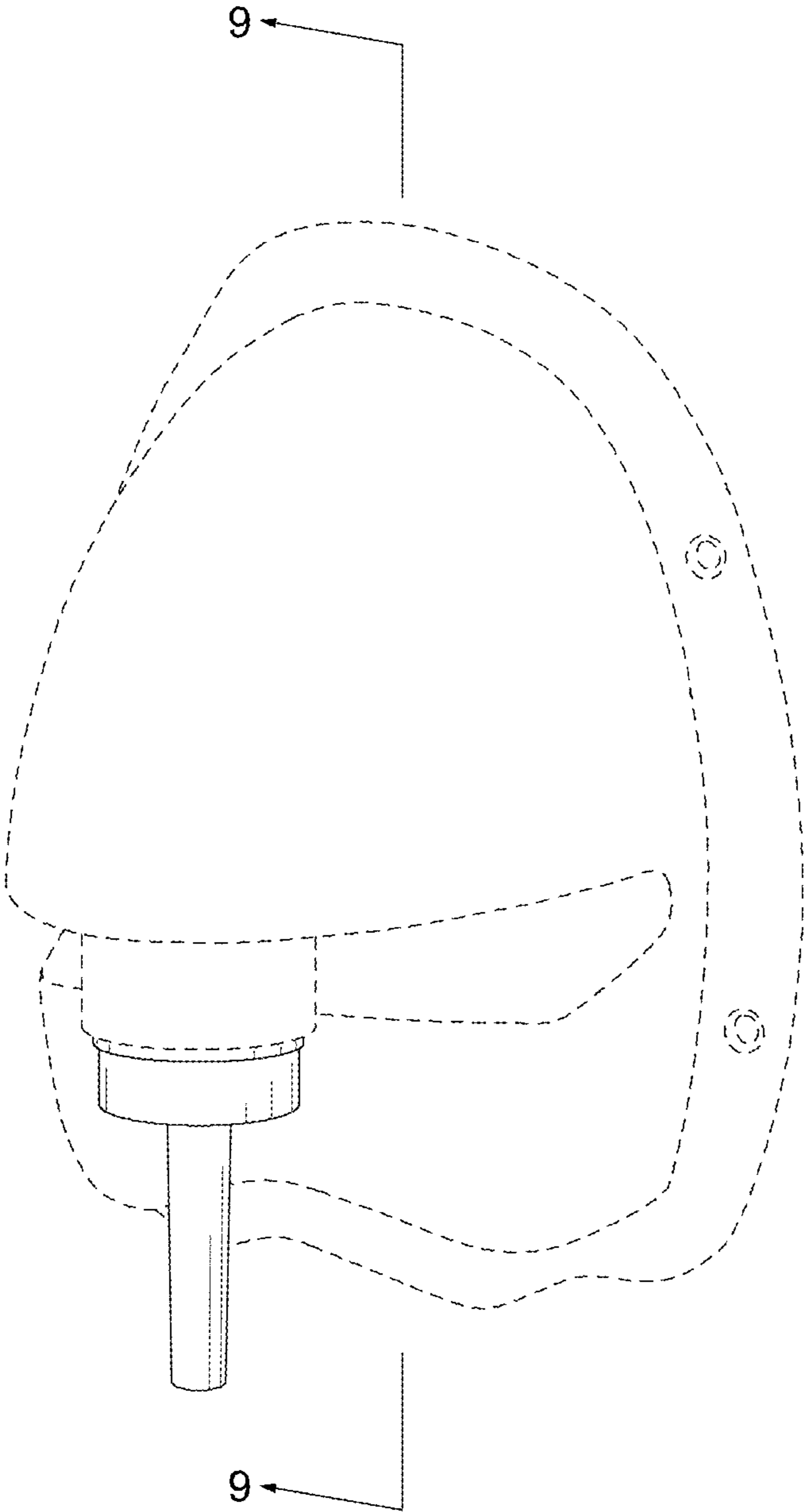


FIG. 2

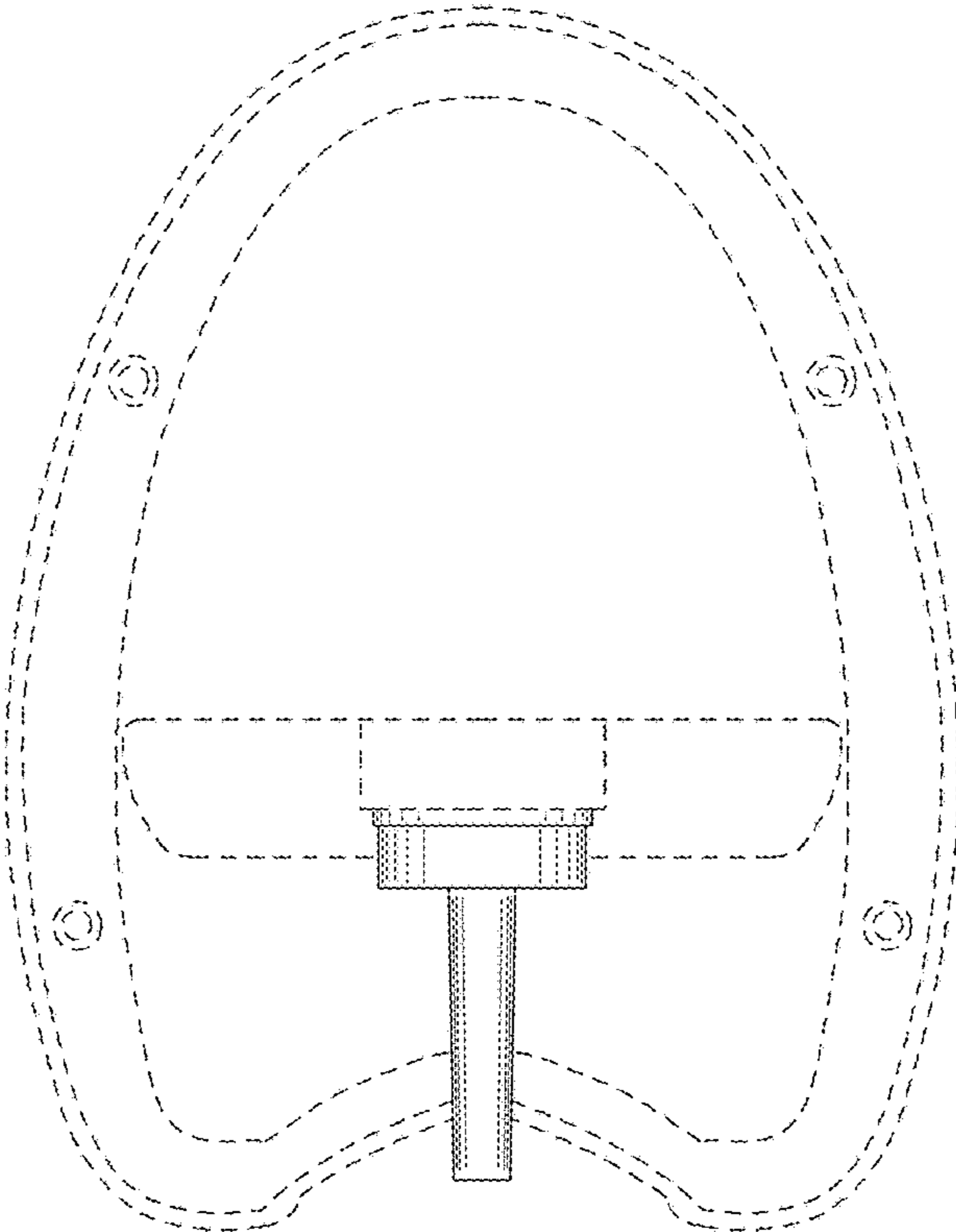


FIG. 3

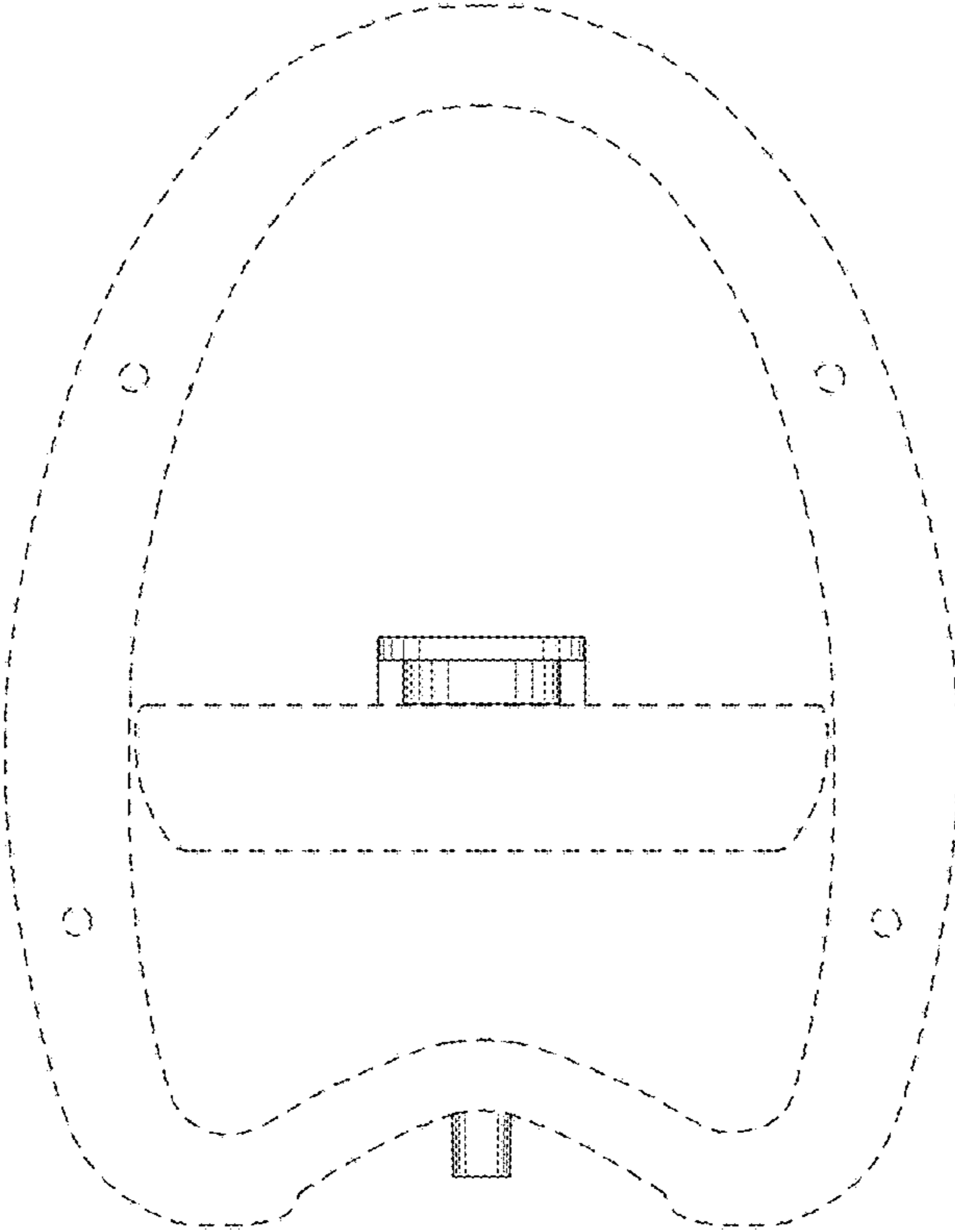


FIG. 4

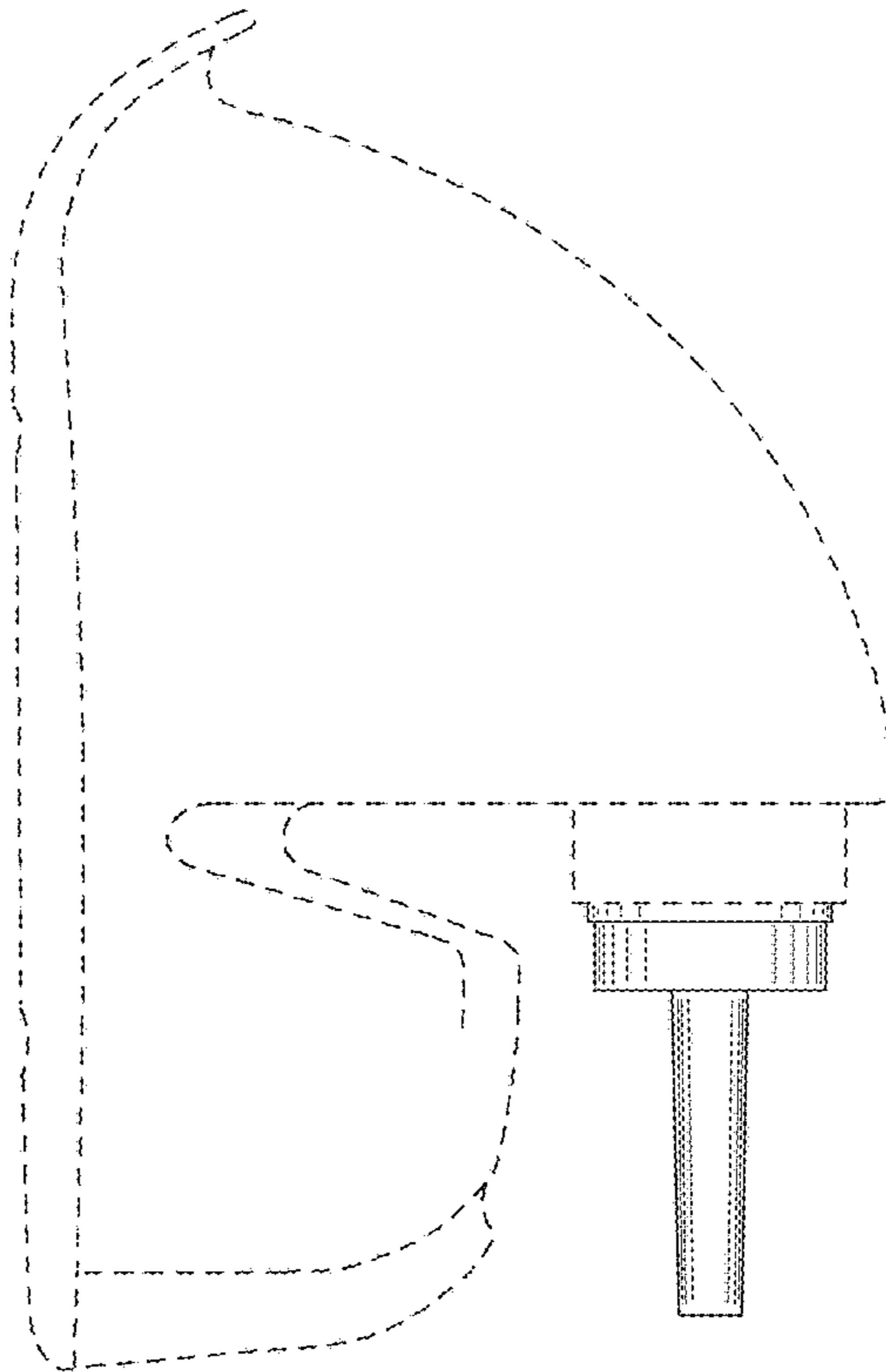


FIG. 5

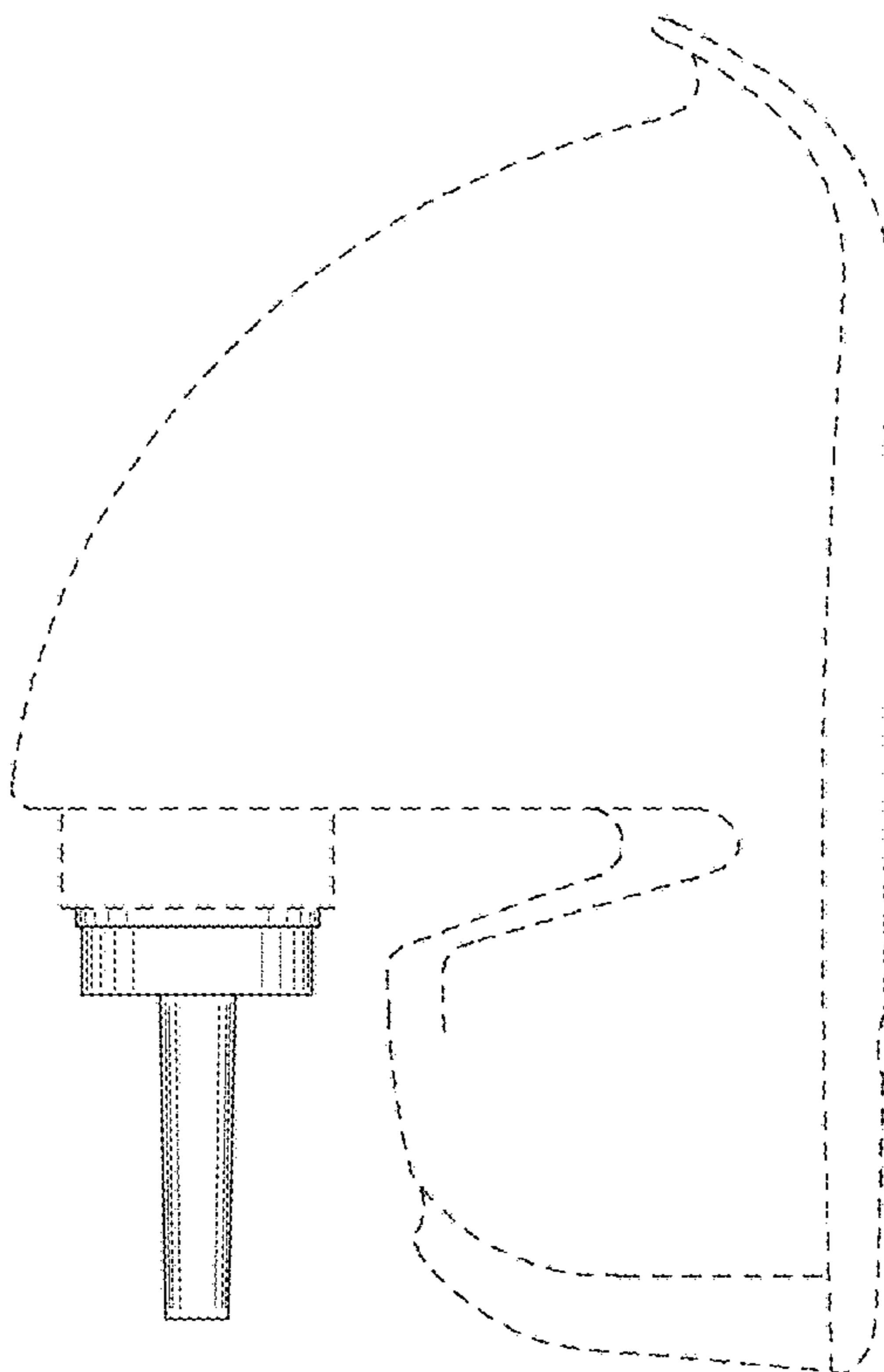


FIG. 6

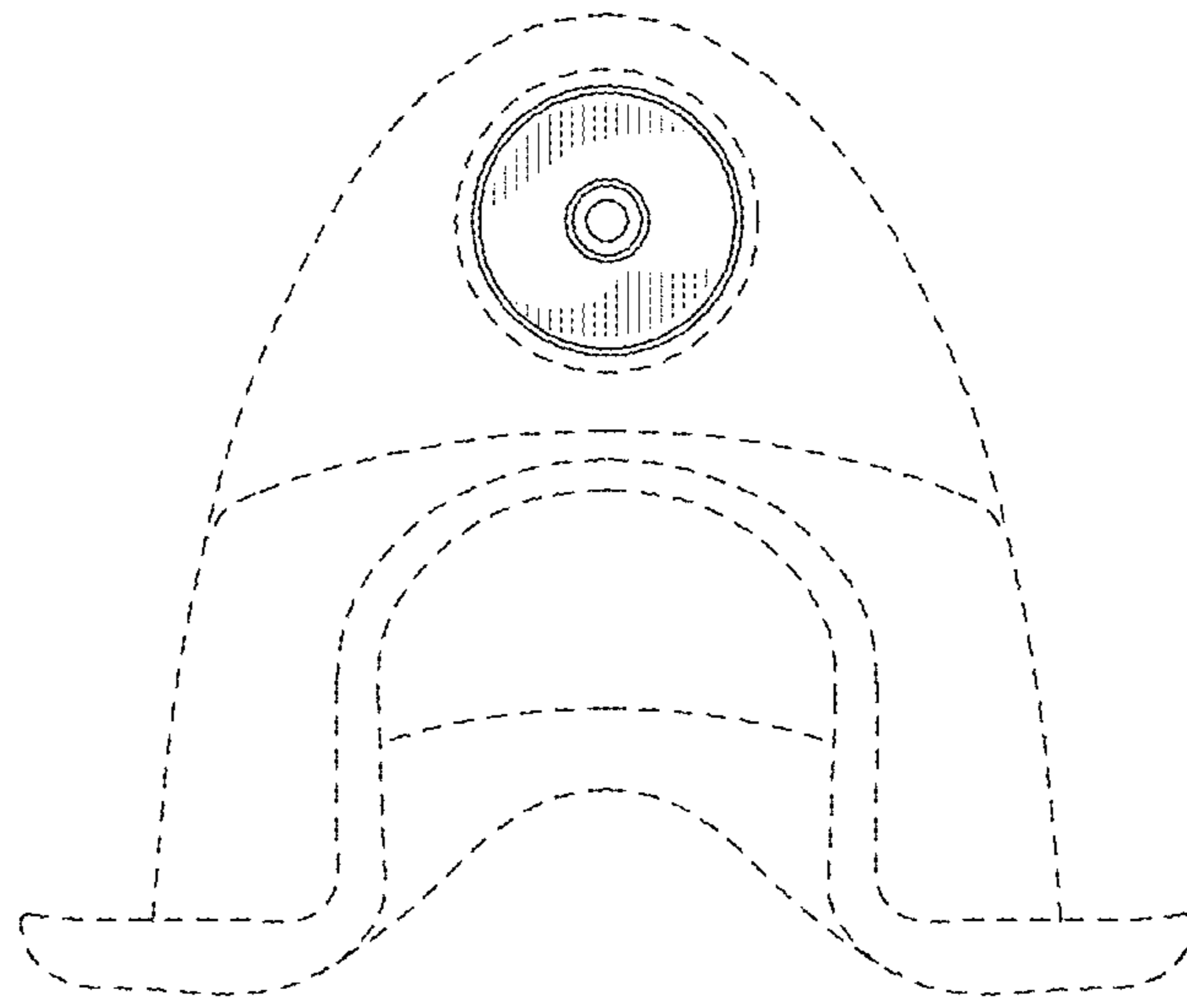


FIG. 7

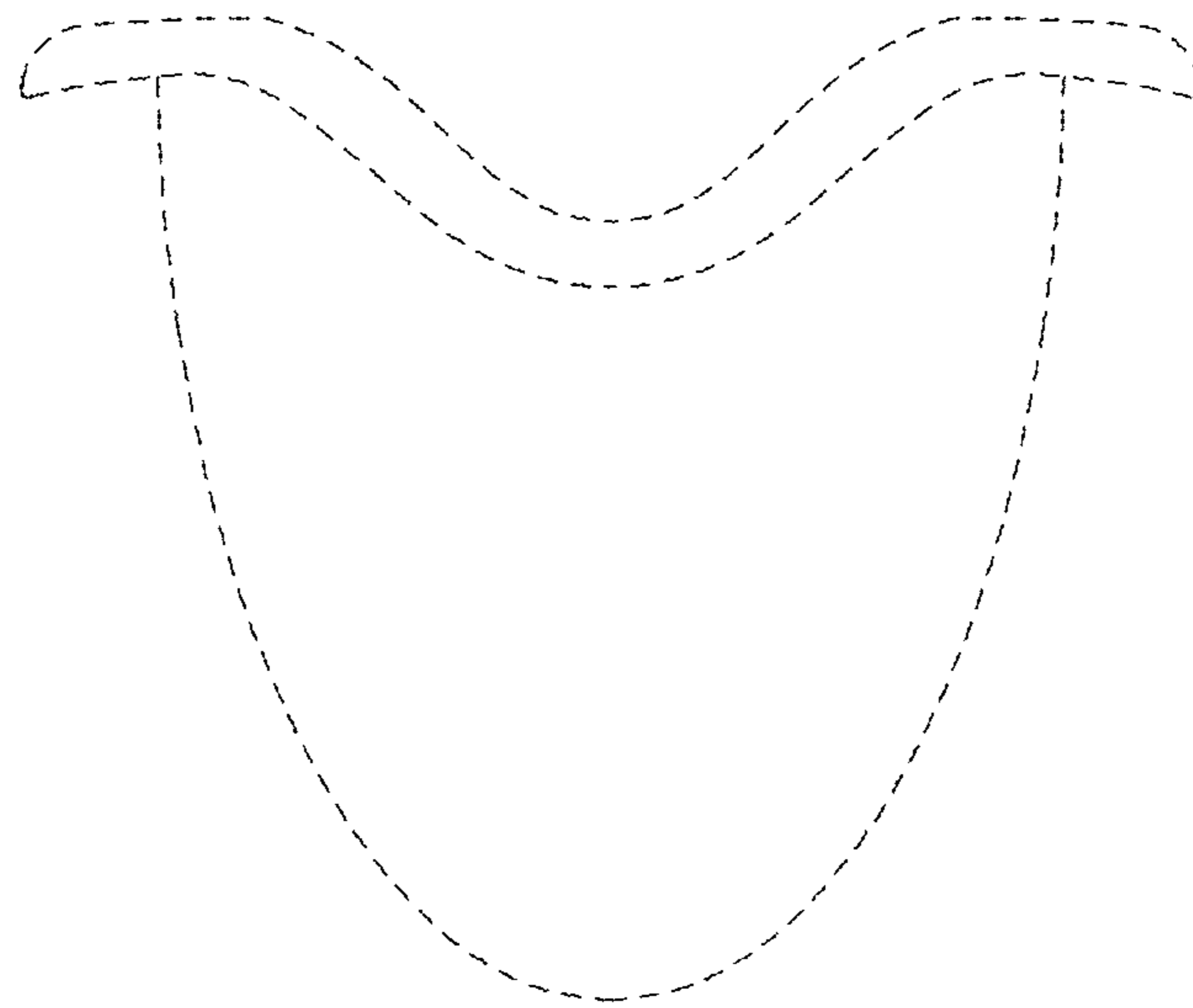


FIG. 8

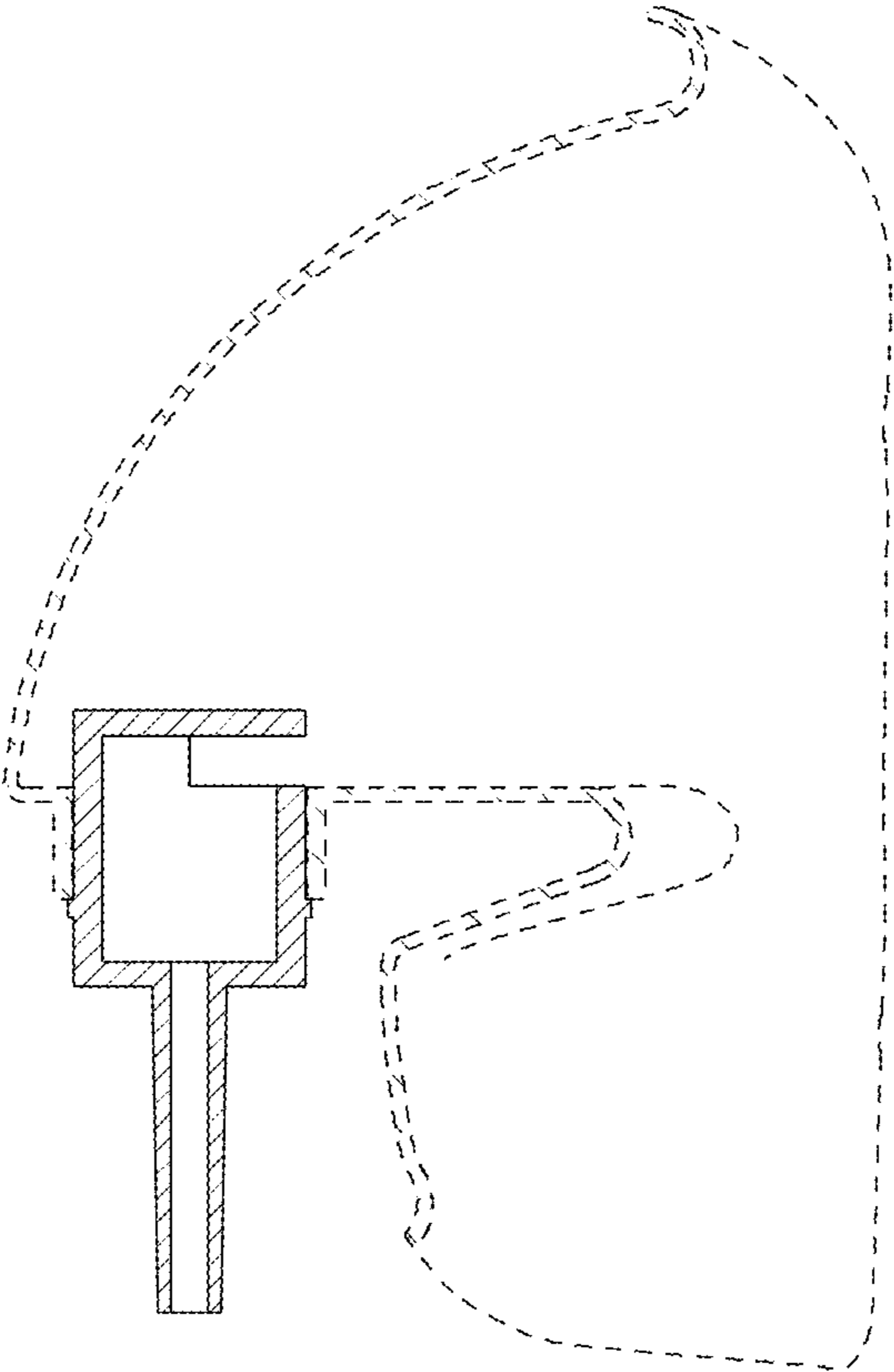


FIG. 9