



US00D825733S

(12) **United States Design Patent**
Gobber et al.

(10) **Patent No.:** **US D825,733 S**

(45) **Date of Patent:** **** Aug. 14, 2018**

(54) **AIR FRESHENER**

9/22; B01D 46/00; B01D 46/0002; B01D 46/20; F02M 35/04; F24F 13/20; A62B 21/00

(71) Applicant: **ZOBELE HOLDING SPA**, Trento (IT)

See application file for complete search history.

(72) Inventors: **Cedric Gobber**, Barcelona (ES);
Joaquim Llorente Alonso, Barcelona (ES)

(56) **References Cited**

U.S. PATENT DOCUMENTS

(73) Assignee: **Zobe Holding S.P.A.**, Trento (IT)

D419,659 S *	1/2000	Yang	D23/366
D422,350 S *	4/2000	Wu	D23/366
D427,671 S *	7/2000	Yin-Choi	D23/366
D648,018 S *	11/2011	Sordo	D23/366
D663,827 S *	7/2012	Browder	D23/367
D803,377 S *	11/2017	Gobber	D23/366

(**) Term: **15 Years**

* cited by examiner

(21) Appl. No.: **35/502,817**

(22) Filed: **Oct. 20, 2016**

Primary Examiner — Keli L Hill

(80) **Hague Agreement Data**

Int. Filing Date: **Oct. 20, 2016**

(74) *Attorney, Agent, or Firm* — Ostrolenk Faber LLP

Int. Reg. No.: **DM/093148**

Int. Reg. Date: **Oct. 20, 2016**

Int. Reg. Pub. Date: **Apr. 21, 2017**

(57) **CLAIM**

The ornamental design for an air freshener, as shown and described.

(51) **LOC (11) Cl.** **28-99**

(52) **U.S. Cl.**

USPC **D23/367**

(58) **Field of Classification Search**

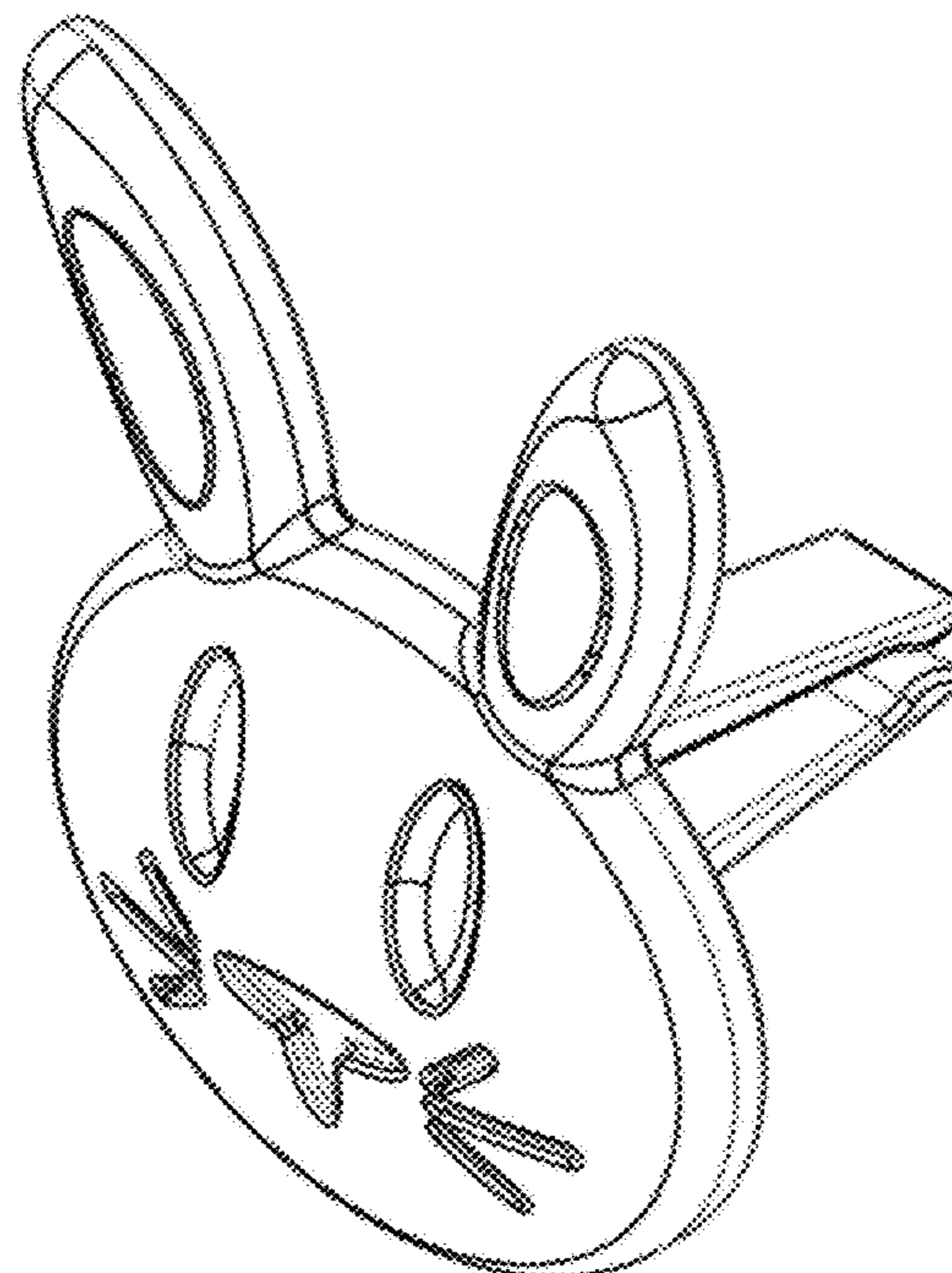
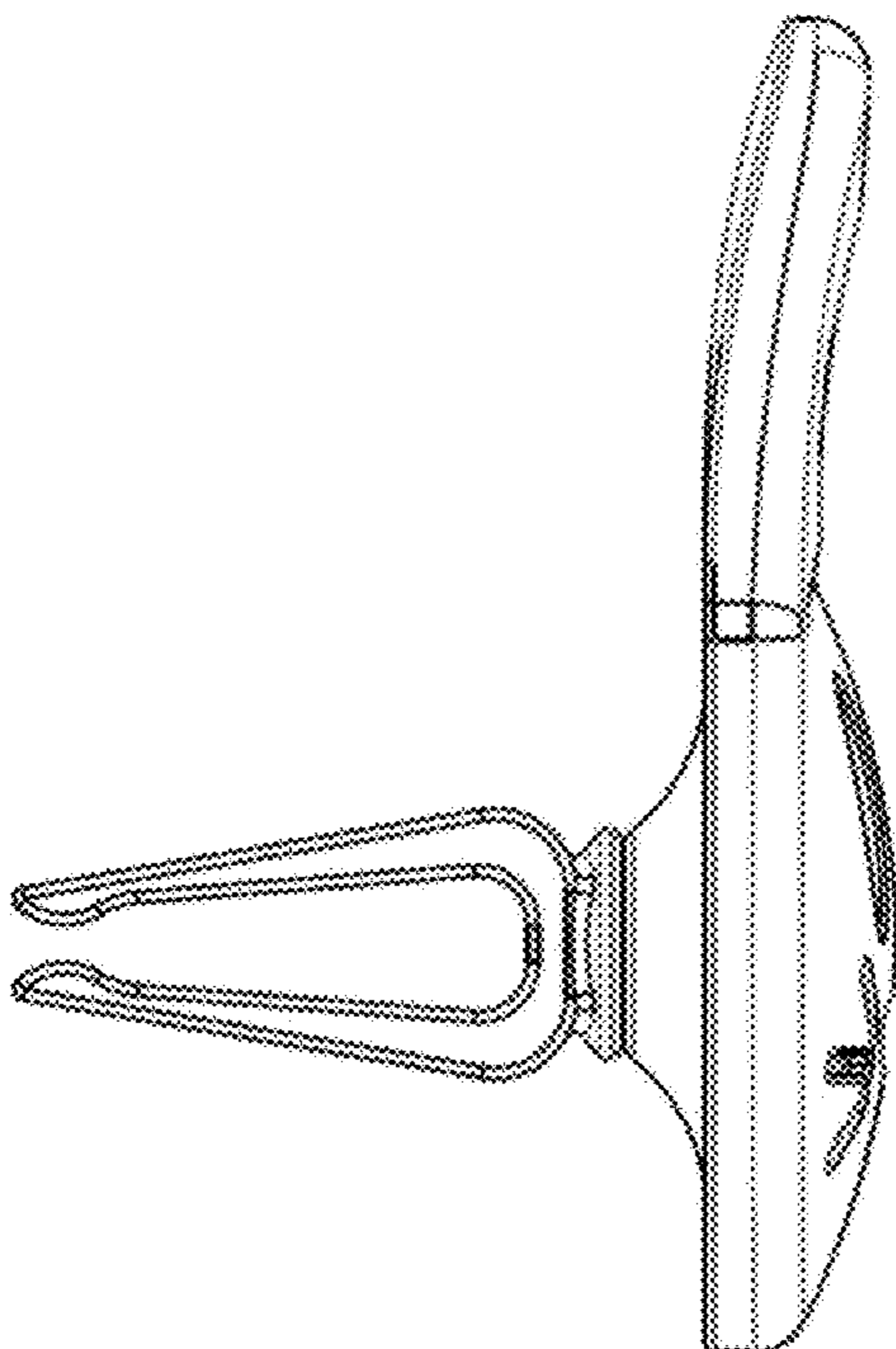
USPC D23/207, 208, 360, 364–369, 388;
D22/119, 122

CPC A61L 9/00; A61L 9/02; A61L 9/03; A61L 9/034; A61L 9/04; A61L 9/12; A61L 9/032; A61L 9/122; A61L 9/127; A61L

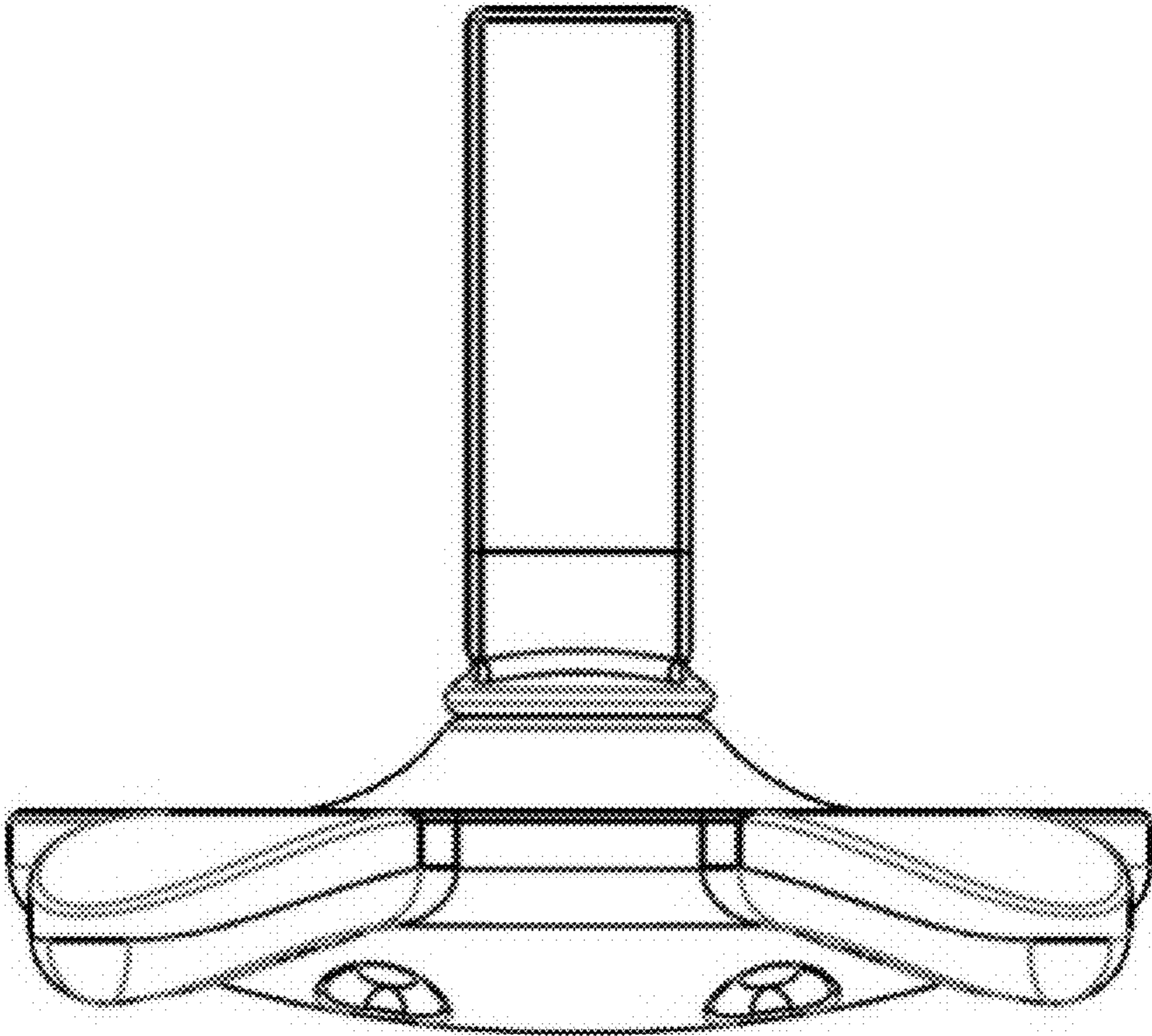
DESCRIPTION

1. Air freshener
- 1.1 is a top plan view.
- 1.2 is a left side elevation view.
- 1.3 is a bottom plan elevation view.
- 1.4 is a right side elevation view.
- 1.5 is a front and right side perspective view.
- 1.6 is a front elevation view.

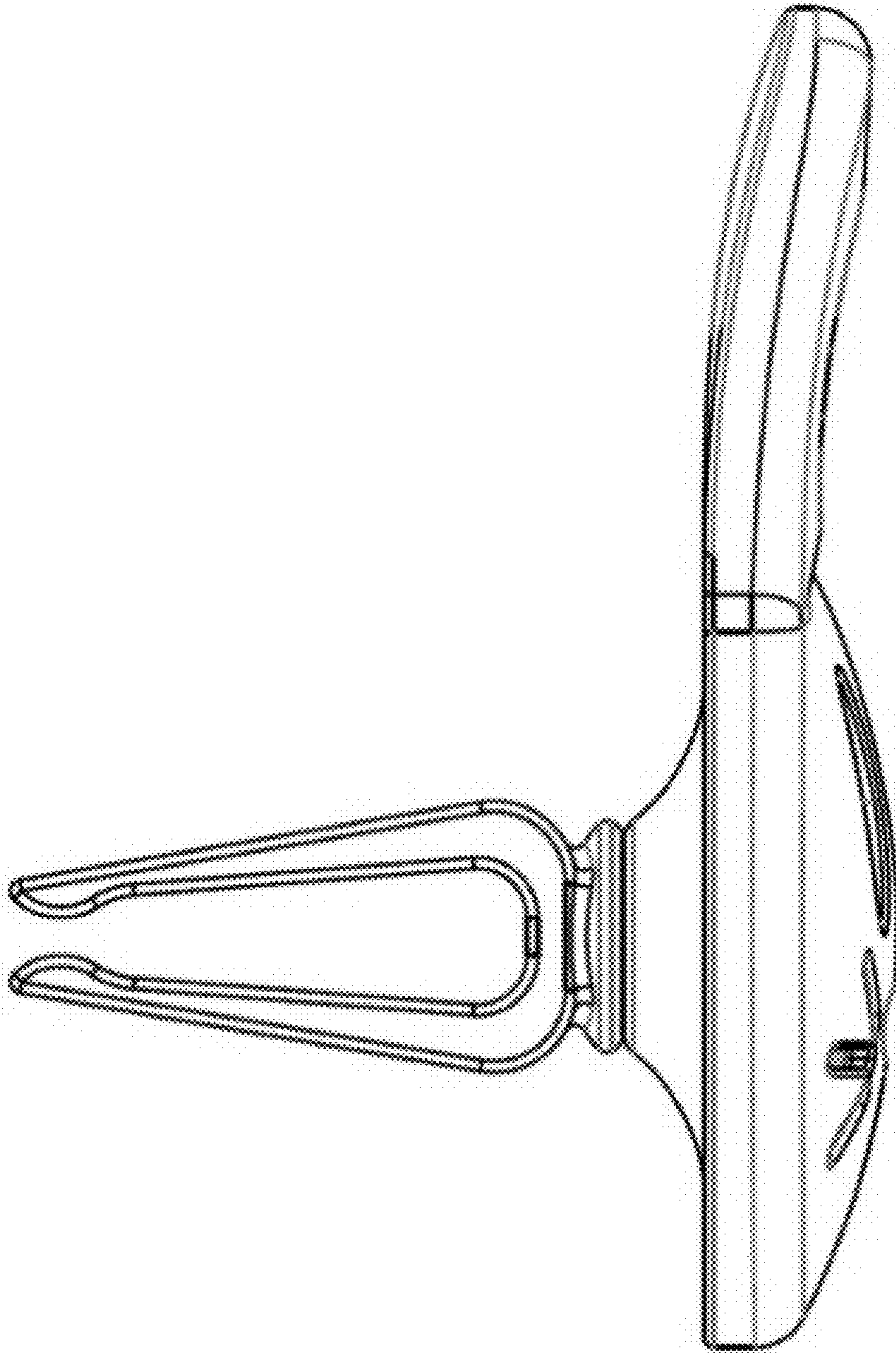
1 Claim, 6 Drawing Sheets



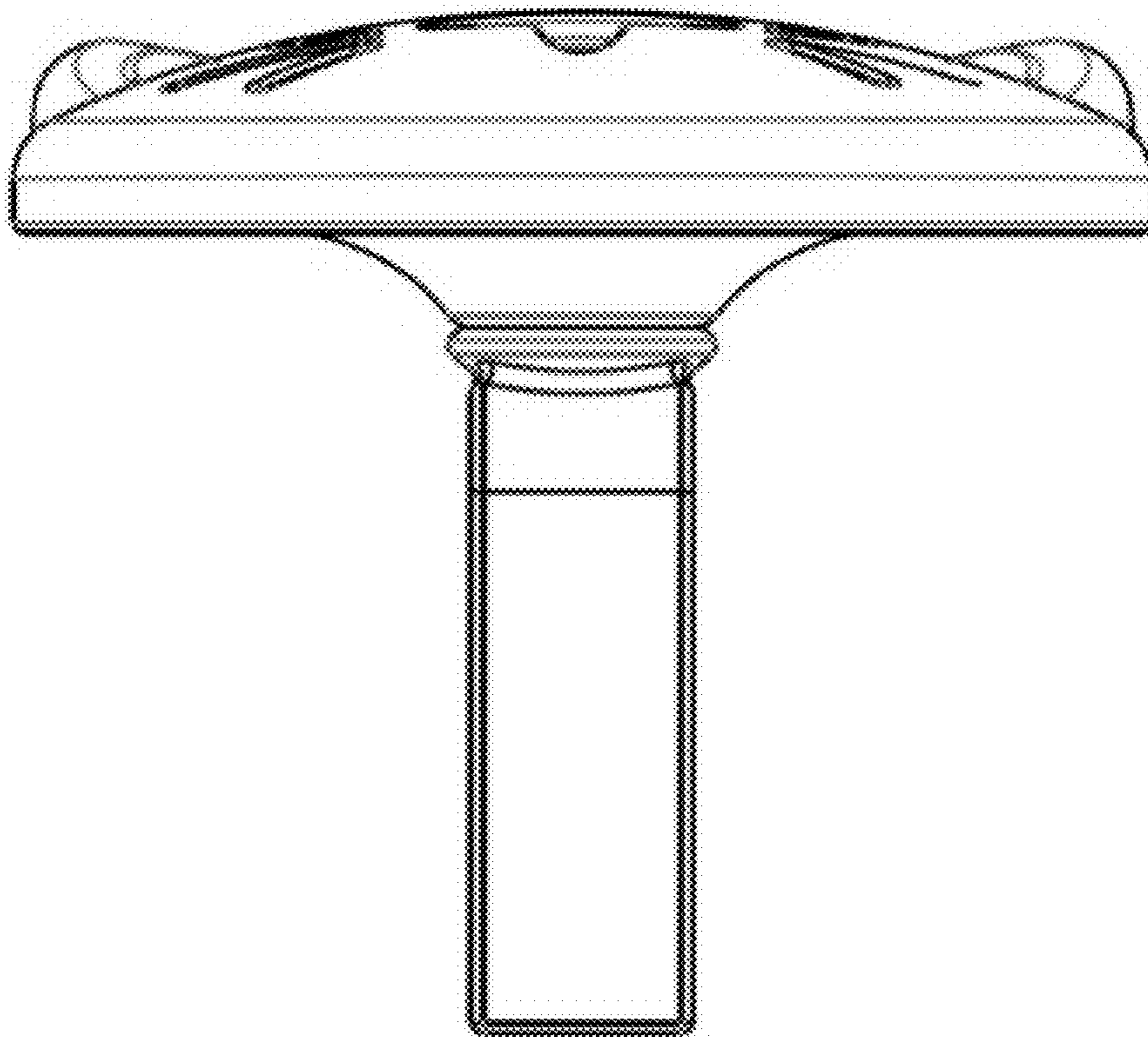
1.1



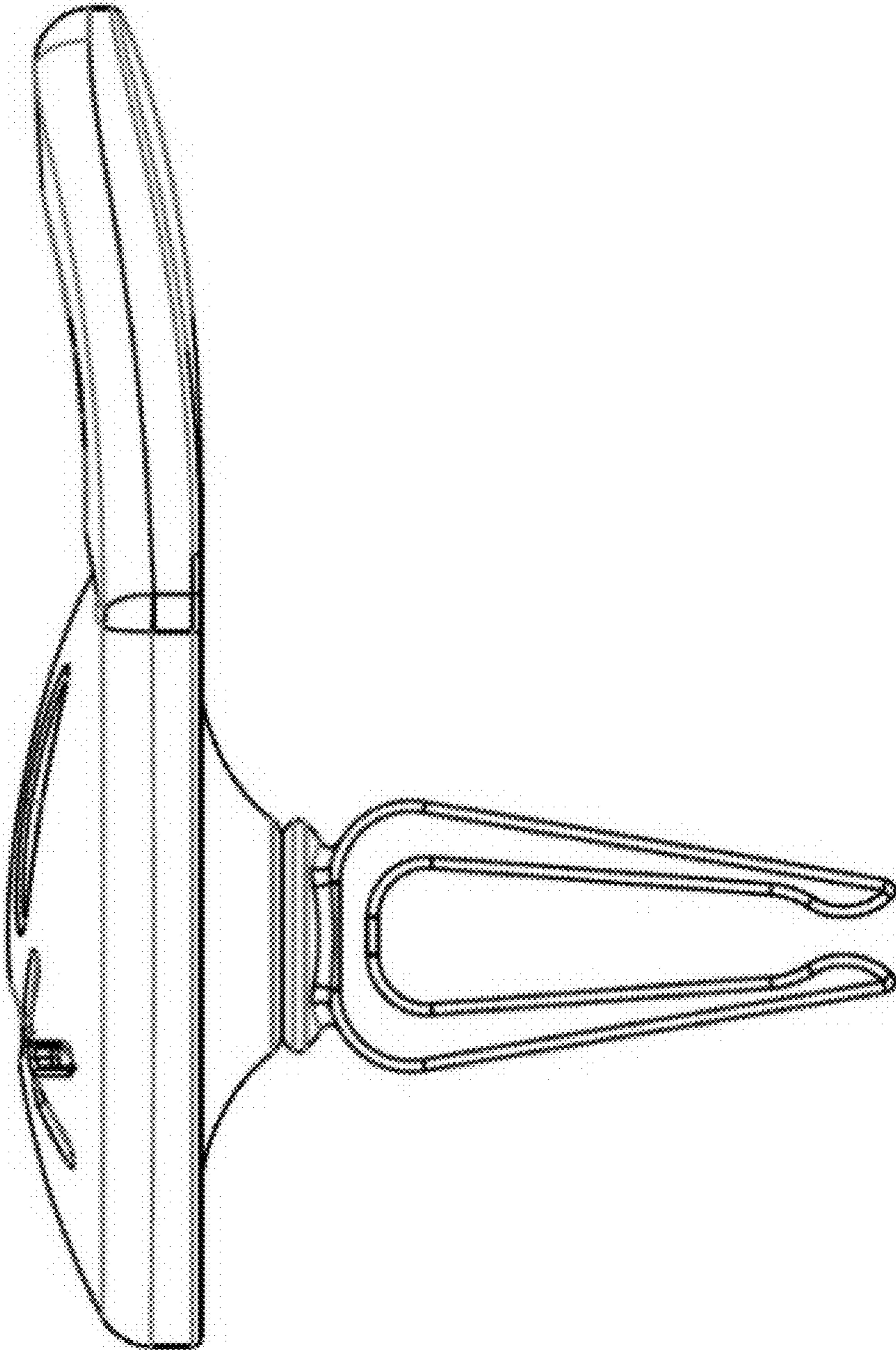
1.2



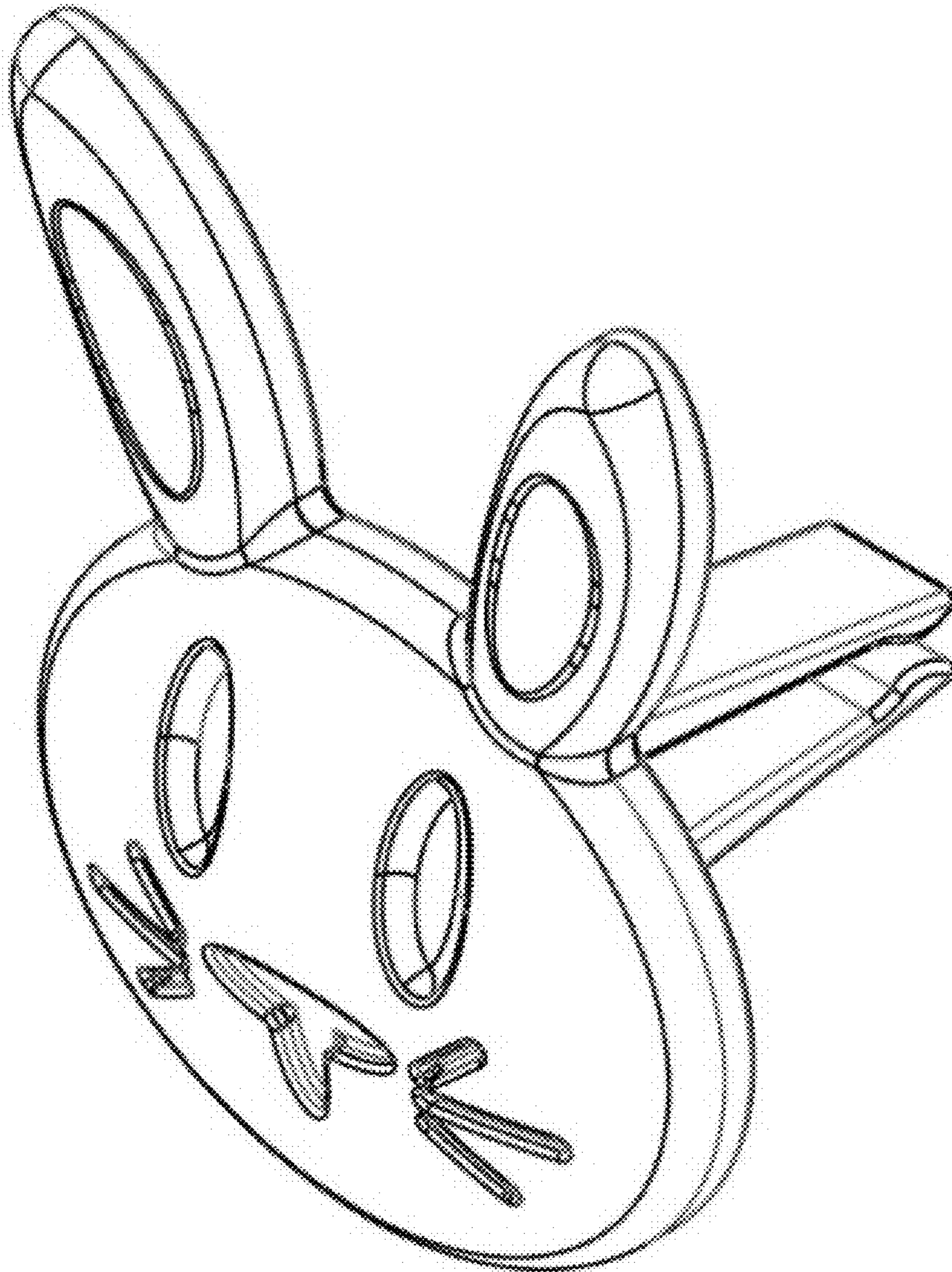
1.3



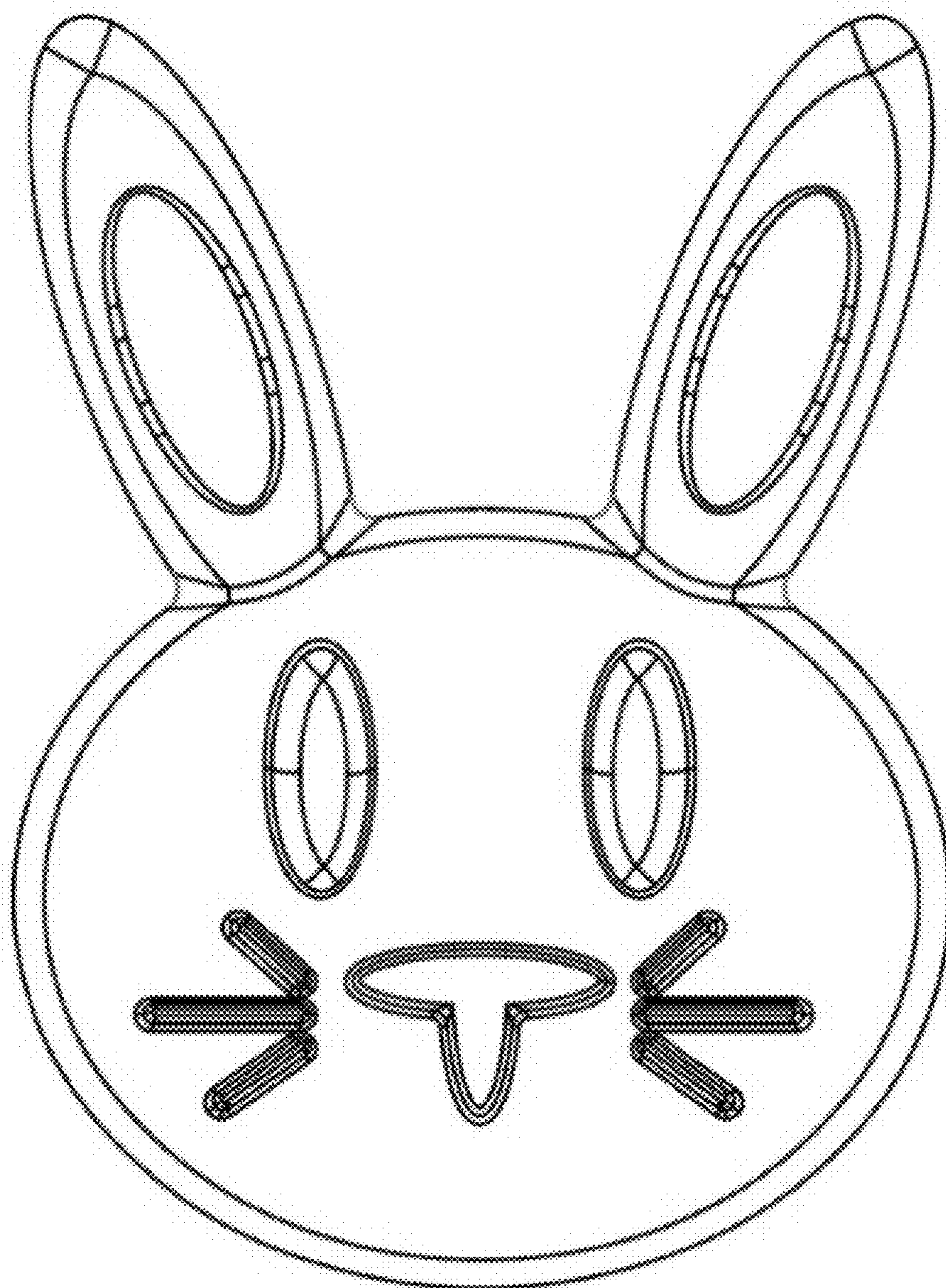
1.4



1.5



1.6



UNITED STATES PATENT AND TRADEMARK OFFICE
CERTIFICATE OF CORRECTION

PATENT NO. : D825,733 S
APPLICATION NO. : 35/502817
DATED : August 14, 2018
INVENTOR(S) : Cedric Gobber and Joaquim Llorente Alonso

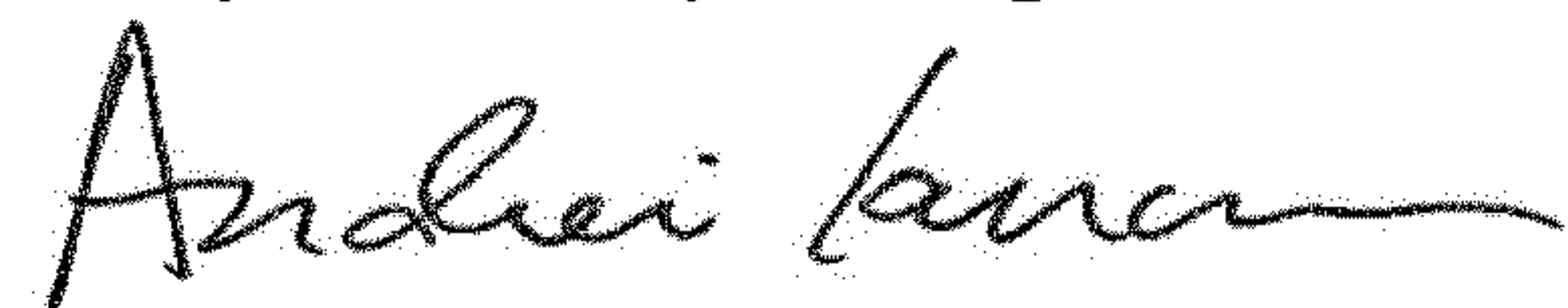
Page 1 of 1

It is certified that error appears in the above-identified patent and that said Letters Patent is hereby corrected as shown below:

On the Title Page

Insert Item --(30) Foreign Application Priority Data
April 21, 2016 (ES) 0523174--

Signed and Sealed this
Twenty-fifth Day of September, 2018



Andrei Iancu
Director of the United States Patent and Trademark Office