



US00D825727S

(12) **United States Design Patent**
Hunter, III

(10) **Patent No.:** **US D825,727 S**

(45) **Date of Patent:** **** Aug. 14, 2018**

(54) **FIREPLACE**

(71) Applicant: **Scott Hunter, III**, Wichita Falls, TX
(US)

(72) Inventor: **Scott Hunter, III**, Wichita Falls, TX
(US)

(**) Term: **15 Years**

(21) Appl. No.: **29/592,773**

(22) Filed: **Feb. 2, 2017**

(51) **LOC (11) Cl.** **23-03**

(52) **U.S. Cl.**
USPC **D23/348**

(58) **Field of Classification Search**
USPC D23/314, 317, 332, 336, 342-350, 329;
D7/332, 334-337, 339, 341
CPC F24C 7/105; F24C 1/10; F24C 3/04; F24C
7/065; F23D 14/12; F24H 3/00; A47J
2037/0777; A47J 37/0763; F24B 3/00;
F24B 1/195; F24B 1/00; F24B 13/00;
F24B 1/18; F24B 13/004; F24B 1/192;
F24B 1/181; F24B 1/182; F24B 1/1802
See application file for complete search history.

(56) **References Cited**

U.S. PATENT DOCUMENTS

D178,649 S *	9/1956	Cox	D23/348
D193,823 S *	10/1962	Hamilton, Jr.	D23/348
D196,217 S *	9/1963	Yager	D23/348
3,220,400 A	11/1965	Yager		
D204,968 S *	5/1966	Lovett	D23/350
D207,566 S *	5/1967	Carsello	D23/350
3,339,540 A *	9/1967	Kreider	F24B 1/181 126/500
D209,255 S *	11/1967	Sandiford	D23/348
D210,375 S *	3/1968	Volk	D23/348
D215,718 S *	10/1969	Radeke	D23/348
D218,901 S *	10/1970	Punt	D23/343

D228,187 S *	8/1973	Damm	D23/350
3,809,058 A	5/1974	Becker		
D236,347 S *	8/1975	Crownover	D23/348
D237,083 S *	10/1975	Chase	D23/348
3,910,251 A	10/1975	Andrew		

(Continued)

FOREIGN PATENT DOCUMENTS

WO 2009136180 11/2009

OTHER PUBLICATIONS

Cornwall, Stove and Wood burning stoves on Pinterest; <https://www.pinterest.com/pin/558798266242143586/>; Jan. 25, 2017.

(Continued)

Primary Examiner — T. Chase Nelson

Assistant Examiner — Ania Aman

(74) *Attorney, Agent, or Firm* — Erickson Kernell IP, LLC; Mark C. Young

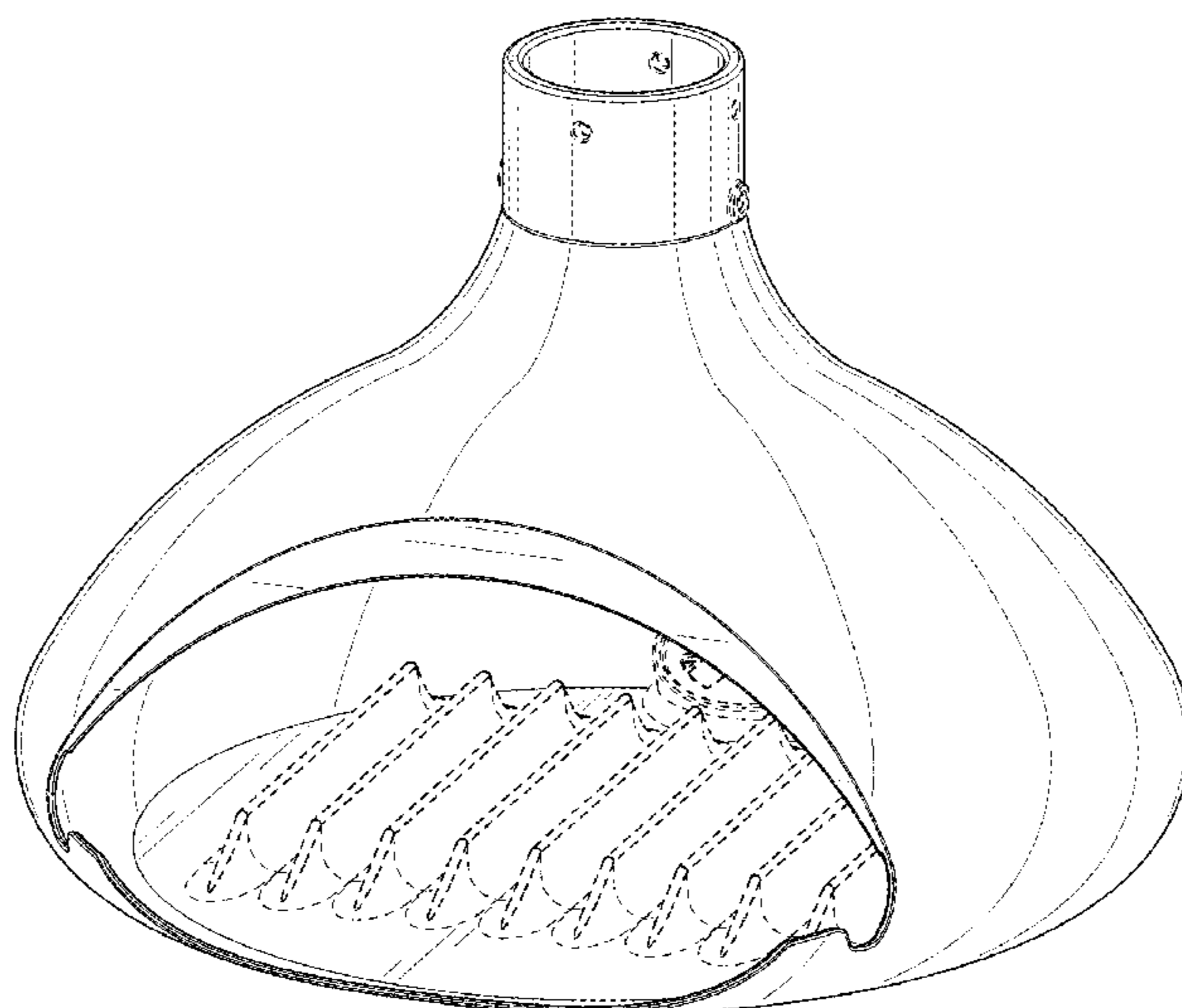
(57) **CLAIM**

The ornamental design for a fireplace, as shown and described.

DESCRIPTION

FIG. 1 is a front perspective view of the fireplace; FIG. 2 is a front elevation view of the fireplace of FIG. 1; FIG. 3 is a rear elevation view of the fireplace of FIG. 1; FIG. 4 is a left-side elevation view of the fireplace of FIG. 1; FIG. 5 is a right-side elevation view of the fireplace of FIG. 1; FIG. 6 is a top plan view of the fireplace of FIG. 1; and, FIG. 7 is a bottom plan view of the fireplace of FIG. 1. The broken line showing of a grate and ventilation opening is included for the purpose of illustrating the environment of the design and forms no part of the claimed design.

1 Claim, 7 Drawing Sheets



(56)

References Cited

U.S. PATENT DOCUMENTS

D243,092 S * 1/1977 Sheth D23/348
 4,112,913 A 9/1978 Shimek et al.
 D250,596 S * 12/1978 Jonas D23/348
 4,138,987 A * 2/1979 Fromman F24B 1/18
 126/307 R
 4,156,418 A 5/1979 Berg
 4,167,177 A * 9/1979 Wiggins F24B 1/181
 126/508
 4,194,494 A * 3/1980 Wagner F24B 1/191
 126/319
 4,196,714 A * 4/1980 Fromman F24B 1/181
 126/307 R
 D256,500 S * 8/1980 Johnson D23/348
 4,216,760 A * 8/1980 Wiggins F24B 1/181
 126/508
 4,252,105 A * 2/1981 Johnson F24B 1/1902
 126/502
 5,421,321 A 6/1995 Ward

6,178,965 B1 1/2001 Sulak
 D442,268 S * 5/2001 Weiss D23/348
 D469,861 S * 2/2003 Garafolo D23/348
 6,892,505 B1 5/2005 Pingitore
 D592,576 S * 5/2009 Cheney D12/194
 D664,245 S * 7/2012 Otero D23/343
 2012/0312205 A1 * 12/2012 Meeker F23M 5/00
 110/321
 2015/0308690 A1 10/2015 Barrett et al.

OTHER PUBLICATIONS

Malm Fireplaces ZIR30 Zircon 30" Freestanding Woodburning
 Fireplace Unit with Black Base; <http://www.homeclick.com/malm-fireplaces-zir30-zircon-30-freestanding-woodburning-fireplace-unit-with-black-base/p-193942.aspx>; Jan. 25, 2017.
 Freestanding Fireplaces; <http://www.wittus.com/2015/wpwoodfireplace.htm>; Jan. 25, 2017.

* cited by examiner

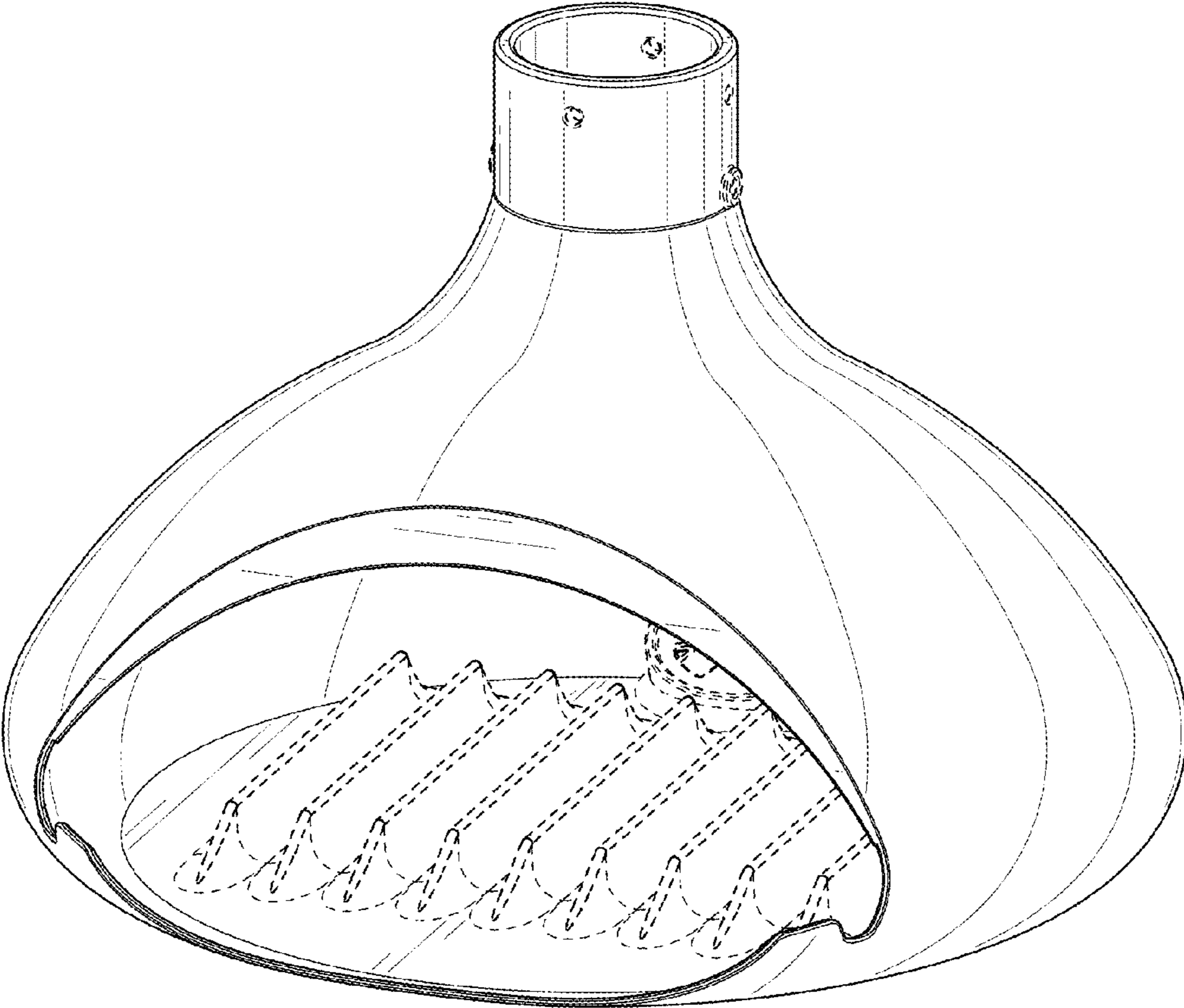


FIG. 1

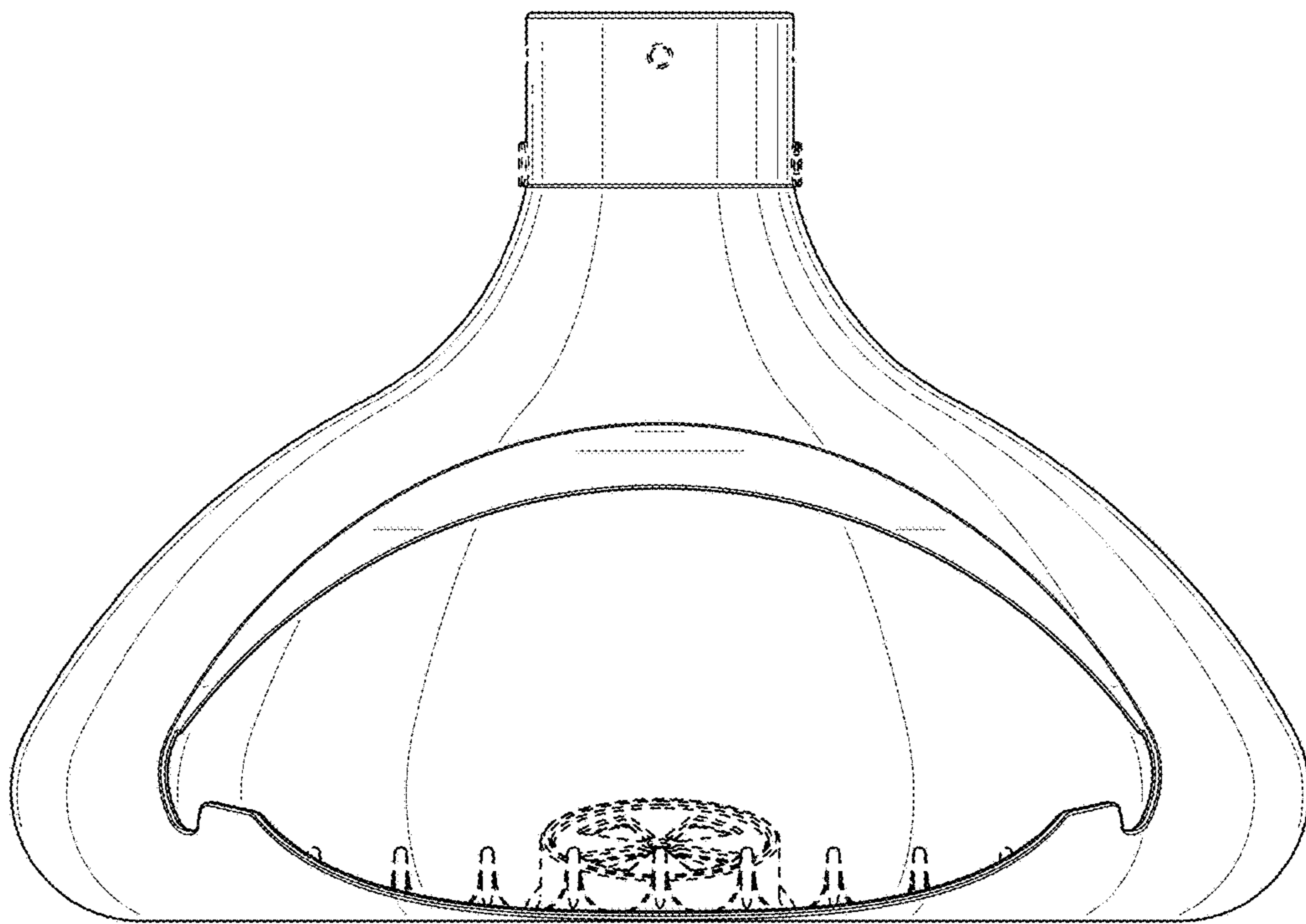


FIG. 2

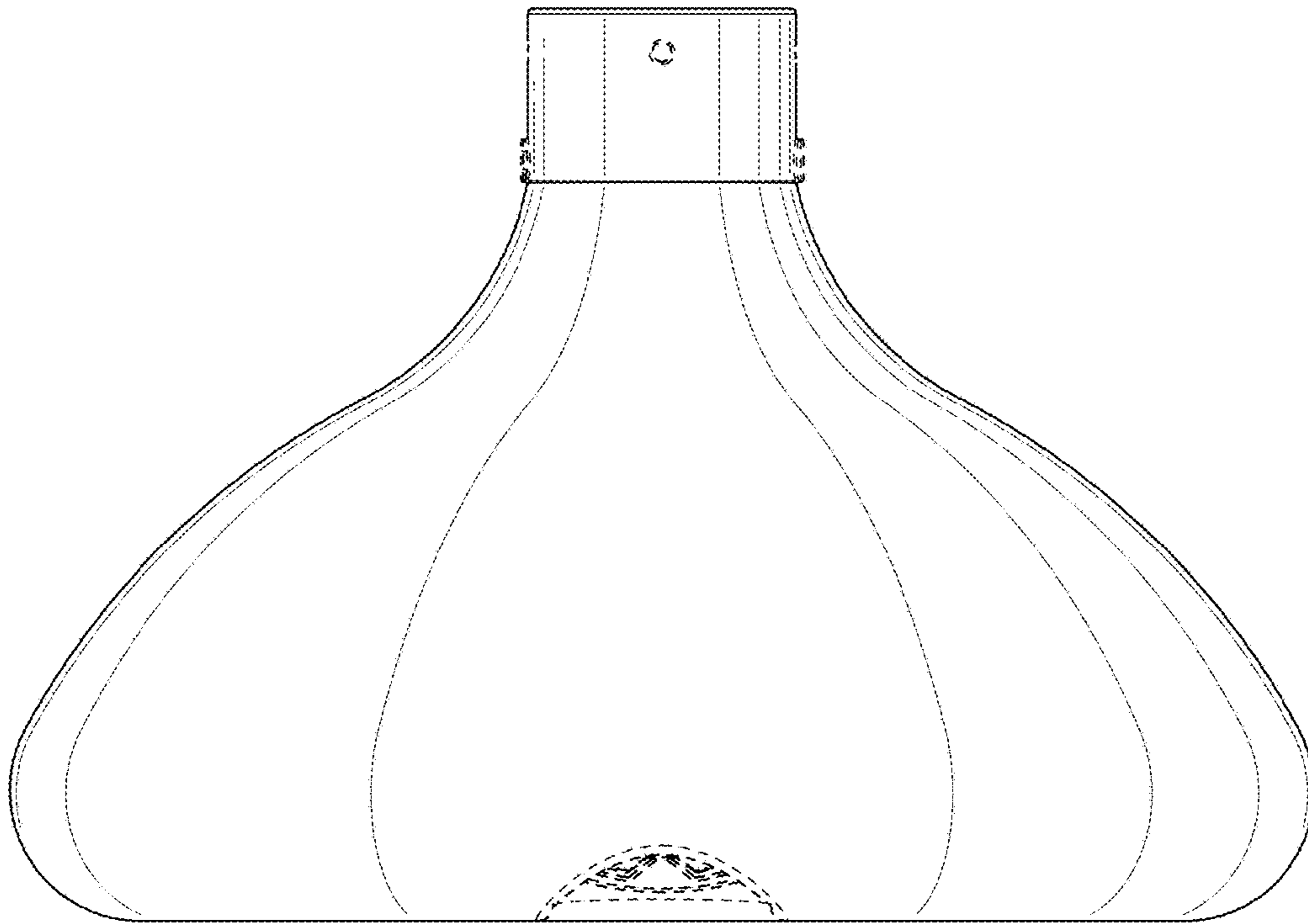


FIG. 3

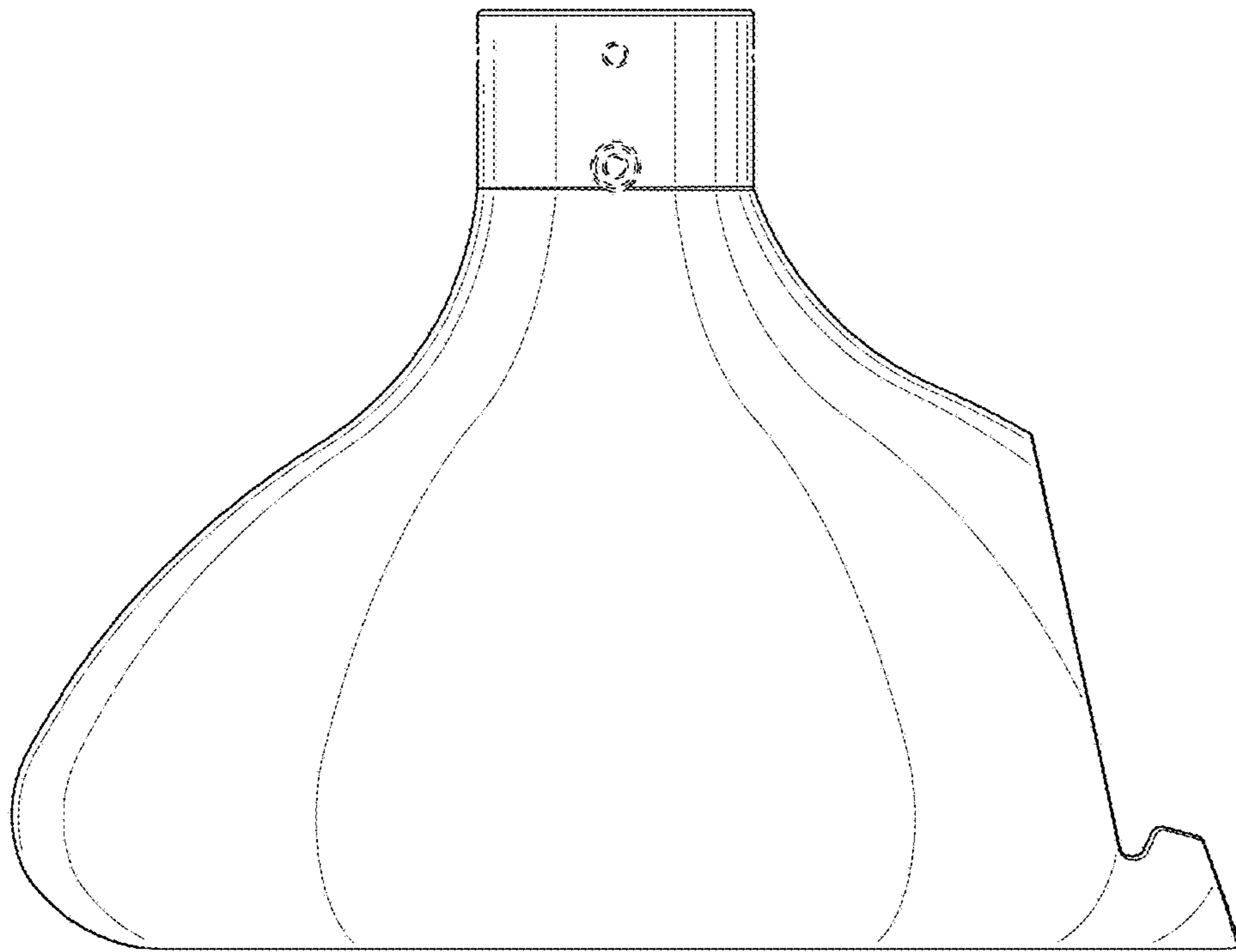


FIG. 4

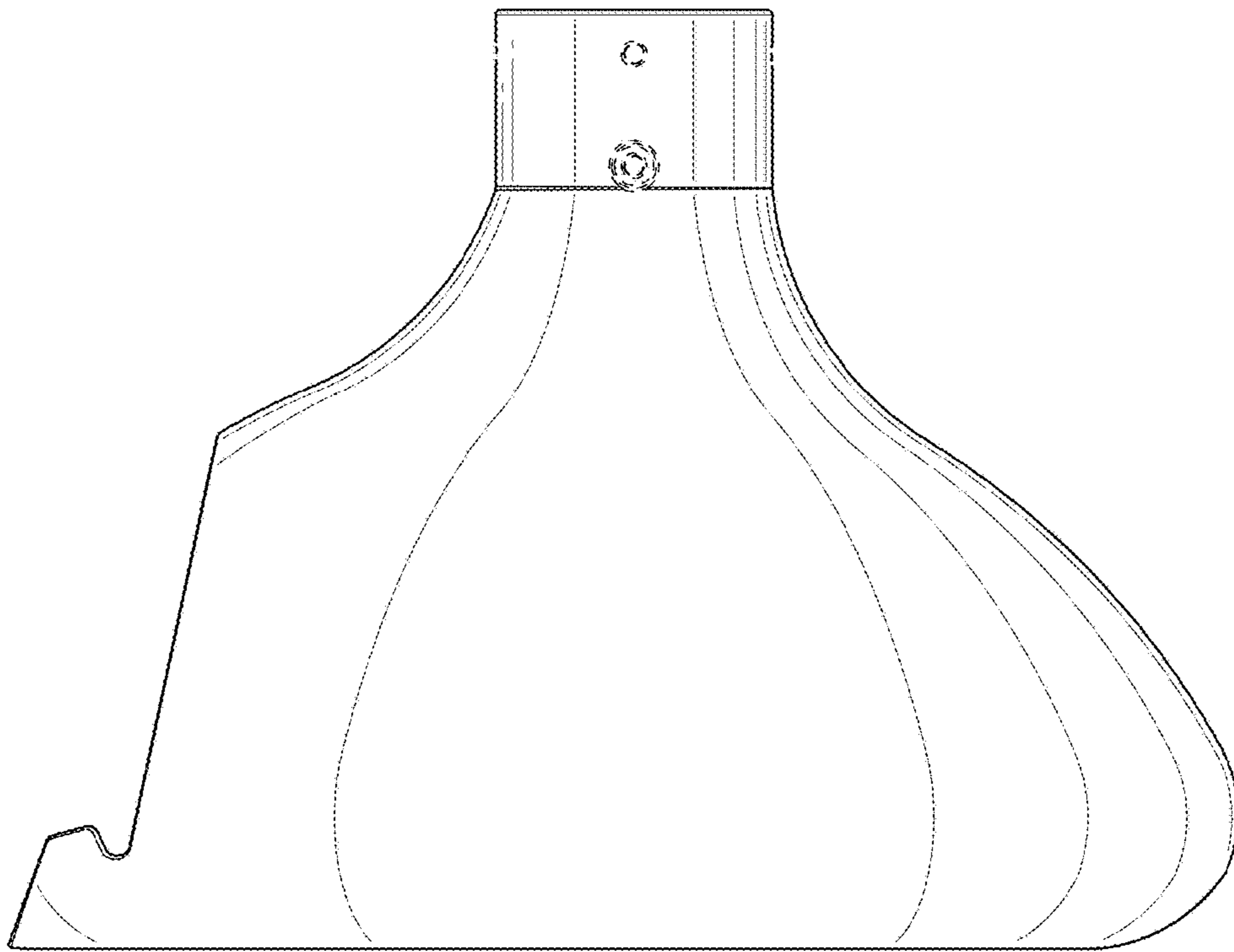


FIG. 5

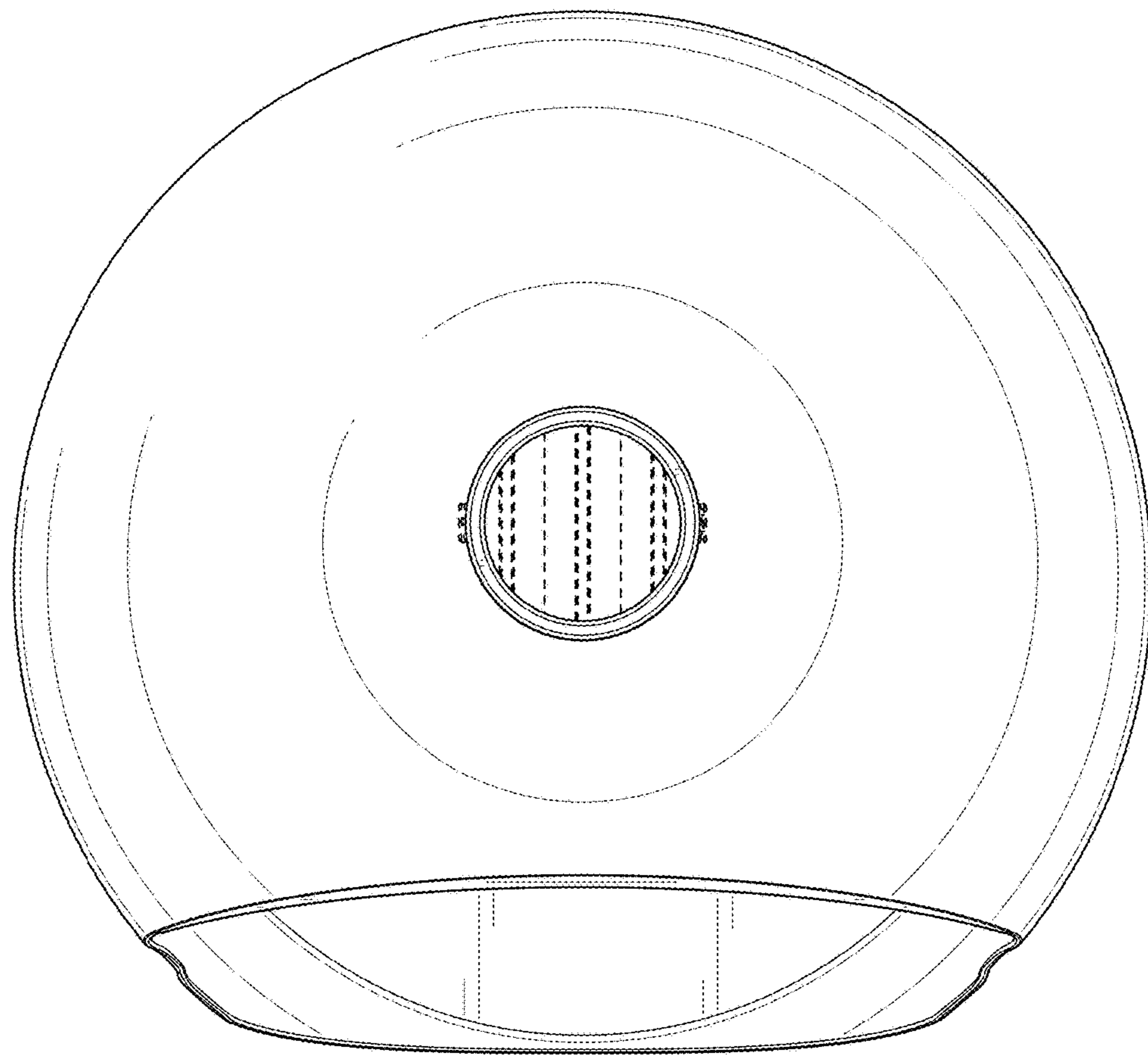


FIG. 6

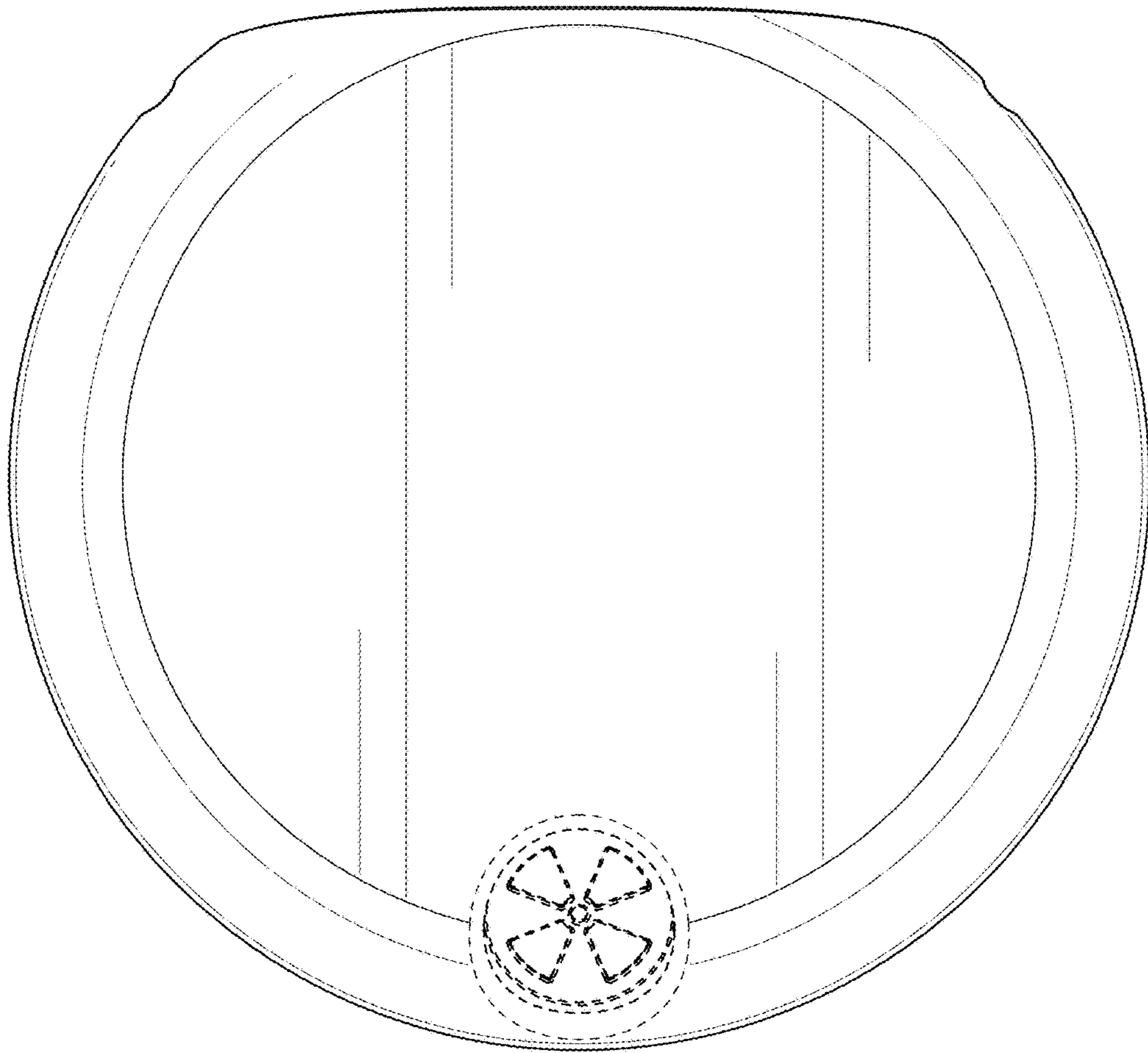


FIG. 7