



US00D825724S

(12) **United States Design Patent** (10) **Patent No.:** **US D825,724 S**
Humphrey et al. (45) **Date of Patent:** **** Aug. 14, 2018**

(54) **HOT WATER HEATER ASSEMBLY**

(74) *Attorney, Agent, or Firm* — Kilpatrick Townsend & Stockton LLP

(71) Applicant: **Rinnai America Corporation**,
Peachtree City, GA (US)

(57) **CLAIM**

(72) Inventors: **Scott Gilman Humphrey**, Powder Springs, GA (US); **Jose Luis Aponte Keillor**, Sharpsburg, GA (US)

The ornamental design for a hot water heater assembly, as shown and described.

(73) Assignee: **Rinnai America Corporation**,
Peachtree City, GA (US)

DESCRIPTION

(**) Term: **15 Years**

FIG. 1 is a top perspective view of a hot water heater assembly.

(21) Appl. No.: **29/617,137**

FIG. 2 is a bottom perspective view of the hot water heater assembly of FIG. 1.

(22) Filed: **Sep. 12, 2017**

FIG. 3 is a front view of the hot water heater assembly of FIG. 1.

Related U.S. Application Data

(63) Continuation of application No. 29/579,327, filed on Sep. 29, 2016, now Pat. No. Des. 799,650.

FIG. 4 is a rear view of the hot water heater assembly of FIG. 1.

(51) **LOC (11) Cl.** **23-03**
(52) **U.S. Cl.**

FIG. 5 is a right side view of the hot water heater assembly of FIG. 1.

USPC **D23/318**

FIG. 6 is a left side view of the hot water heater assembly of FIG. 1.

(58) **Field of Classification Search**
USPC D23/318, 319, 320, 321, 322, 314, 317, D23/329, 330, 342; D13/184
(Continued)

FIG. 7 is a top view of the hot water heater assembly of FIG. 1.

(56) **References Cited**

U.S. PATENT DOCUMENTS

D311,950 S 11/1990 Excell
D347,274 S * 5/1994 Prevost D23/318
(Continued)

FIG. 8 is a bottom view of the hot water heater assembly of FIG. 1.

OTHER PUBLICATIONS

U.S. Appl. No. 29/579,327, Notice of Allowance dated Jun. 2, 2017.

Primary Examiner — T. Chase Nelson
Assistant Examiner — Ania Aman

FIGS. 9 and 10 are exploded top perspective views of the hot water heater assembly of FIG. 1.

FIG. 11 is a top perspective view of the hot water heater assembly of FIG. 1 shown in context with a tank.

FIG. 12 is a bottom perspective view of the hot water heater assembly of FIG. 11.

FIG. 13 is a right side view of the hot water heater assembly of FIG. 11.

FIG. 14 is a left side view of the hot water heater assembly of FIG. 11.

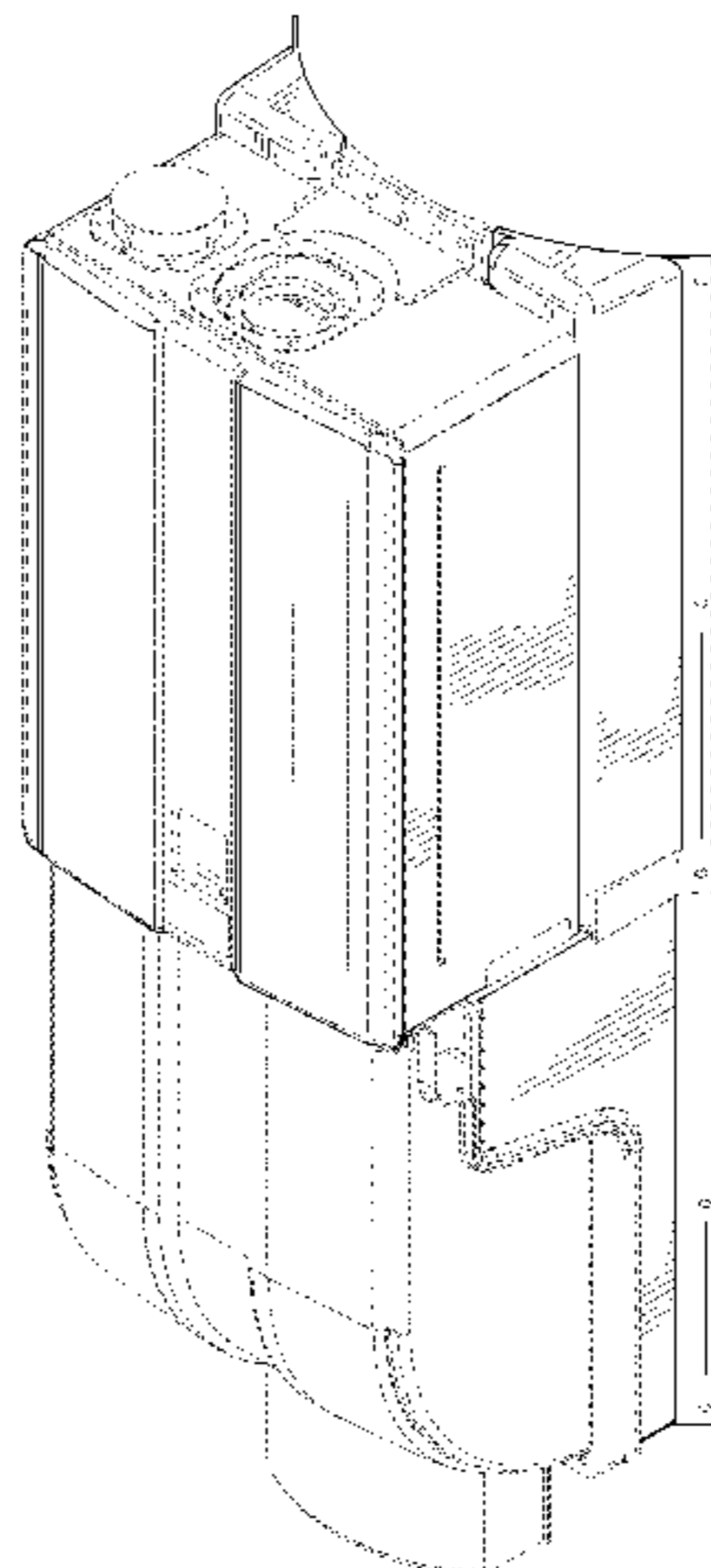
FIG. 15 is a front view of the hot water heater assembly of FIG. 11.

FIG. 16 is a rear view of the hot water heater assembly of FIG. 11.

FIG. 17 is a top view of the hot water heater assembly of FIG. 11.

FIG. 18 is a bottom view of the hot water heater assembly of FIG. 11; and,

(Continued)



FIGS. 19 and 20 are exploded top perspective views of the hot water heater assembly of FIG. 11.

The dash-dot broken lines adjacent to shaded areas represent unclaimed boundaries of the claimed design. The broken lines form no part of the claimed design.

1 Claim, 19 Drawing Sheets

(58) **Field of Classification Search**

CPC F24H 9/06; F24H 9/2035; F24H 1/125;
 F24H 1/145; F24H 1/186; F24H 9/124;
 F24H 9/2078; F24H 9/2007; F24H 1/08;
 F24H 1/10; F24H 1/12; F24H 1/18; F24H
 1/22; F24H 1/50; F24H 1/182

See application file for complete search history.

(56)

References Cited

U.S. PATENT DOCUMENTS

D351,900	S	*	10/1994	Prevot	D23/318
D356,861	S		3/1995	Busalt	
6,951,191	B1		10/2005	Lin	
7,055,465	B1		6/2006	Huang	
D532,498	S	*	11/2006	Maegawa	D23/318
D603,491	S		11/2009	Villalobos	
D679,787	S		4/2013	Lesage	
D715,906	S		10/2014	Christen	
9,222,696	B2	*	12/2015	Lesage	F24H 1/08
2009/0120381	A1		5/2009	Lopez	
2012/0079995	A1		4/2012	Jacques	
2014/0209042	A1		7/2014	Hardesty	
2015/0047578	A1		2/2015	Lesage	
2015/0338127	A1		11/2015	Kim	
2017/0038094	A1		2/2017	Poehlman	

* cited by examiner

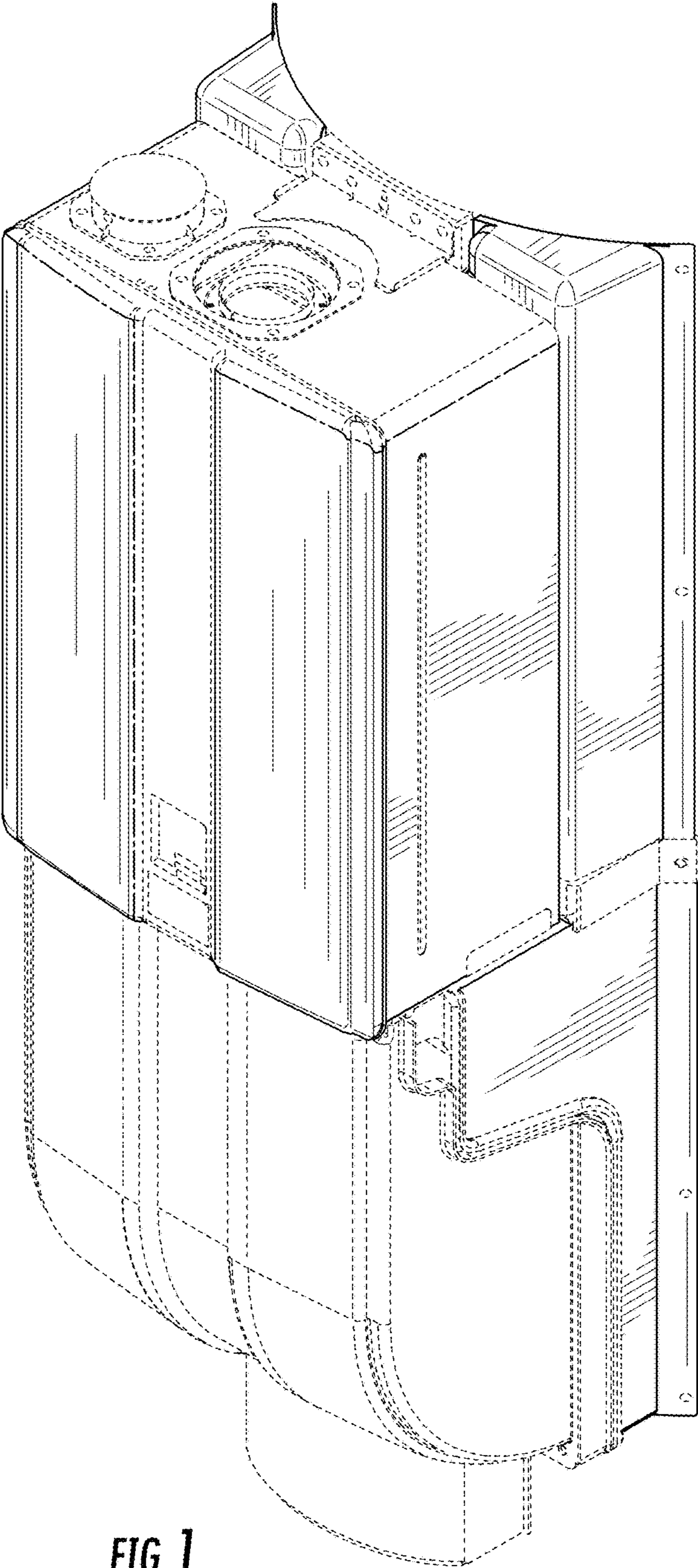


FIG. 1

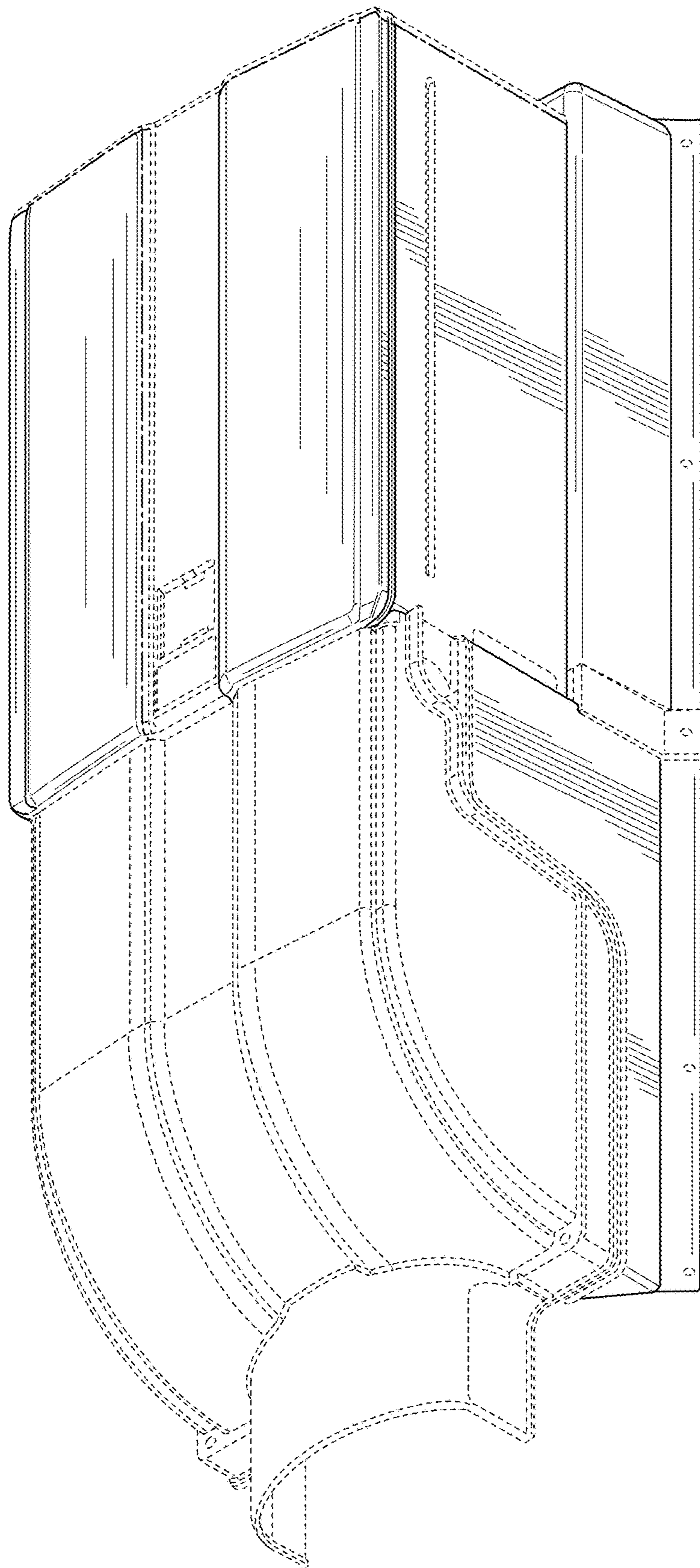


FIG. 2

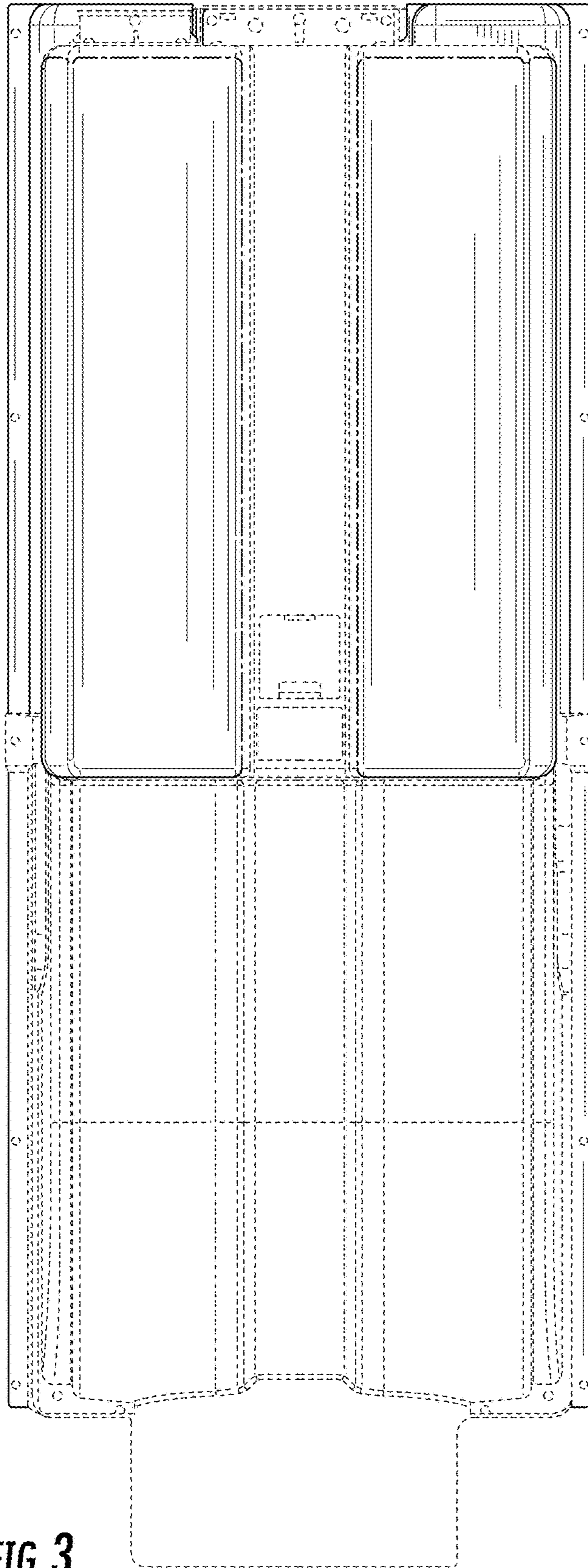


FIG. 3

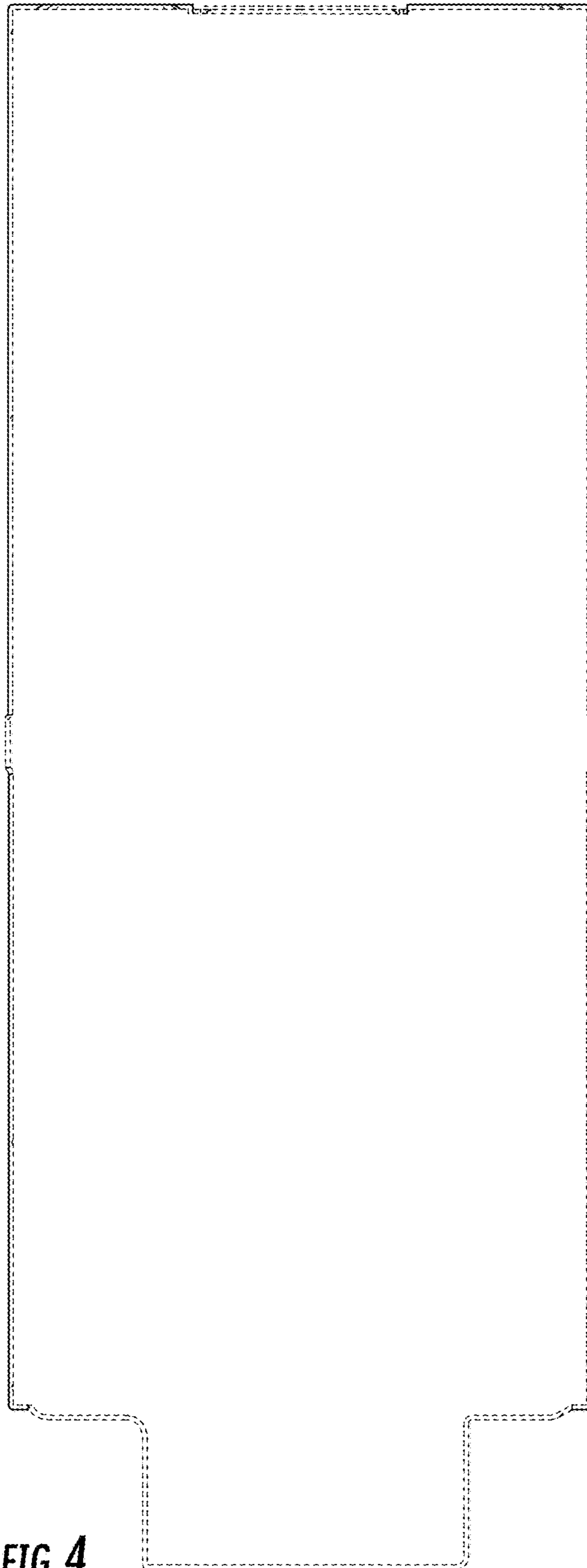


FIG. 4

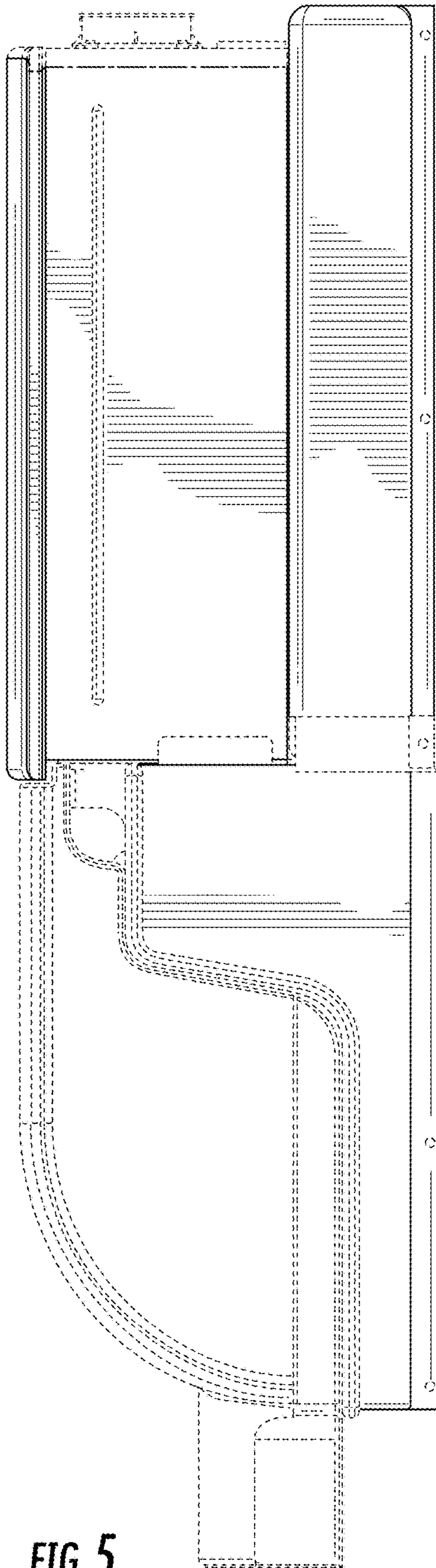


FIG. 5

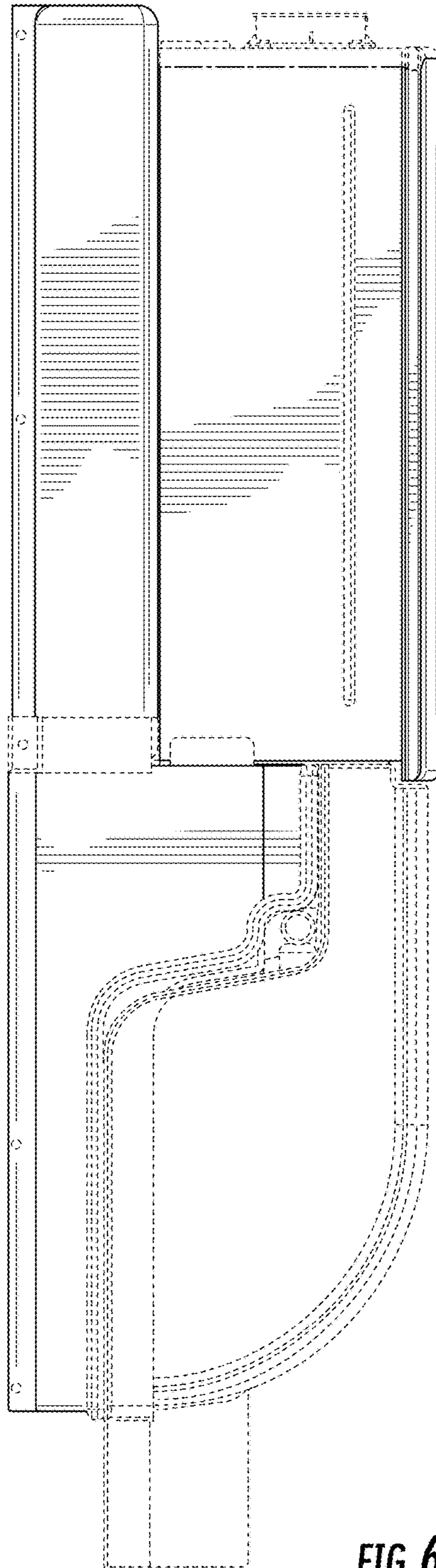


FIG. 6

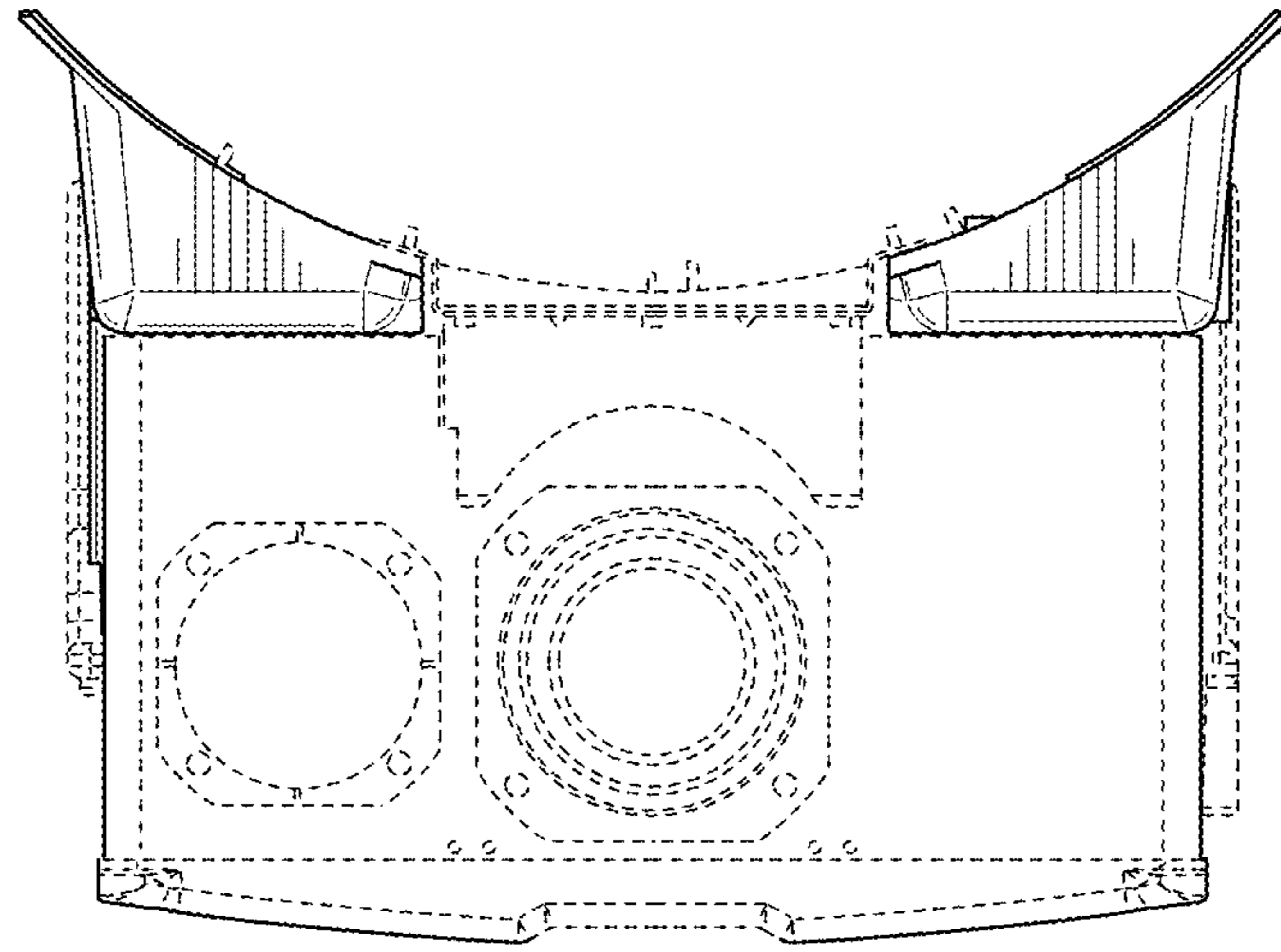


FIG. 7

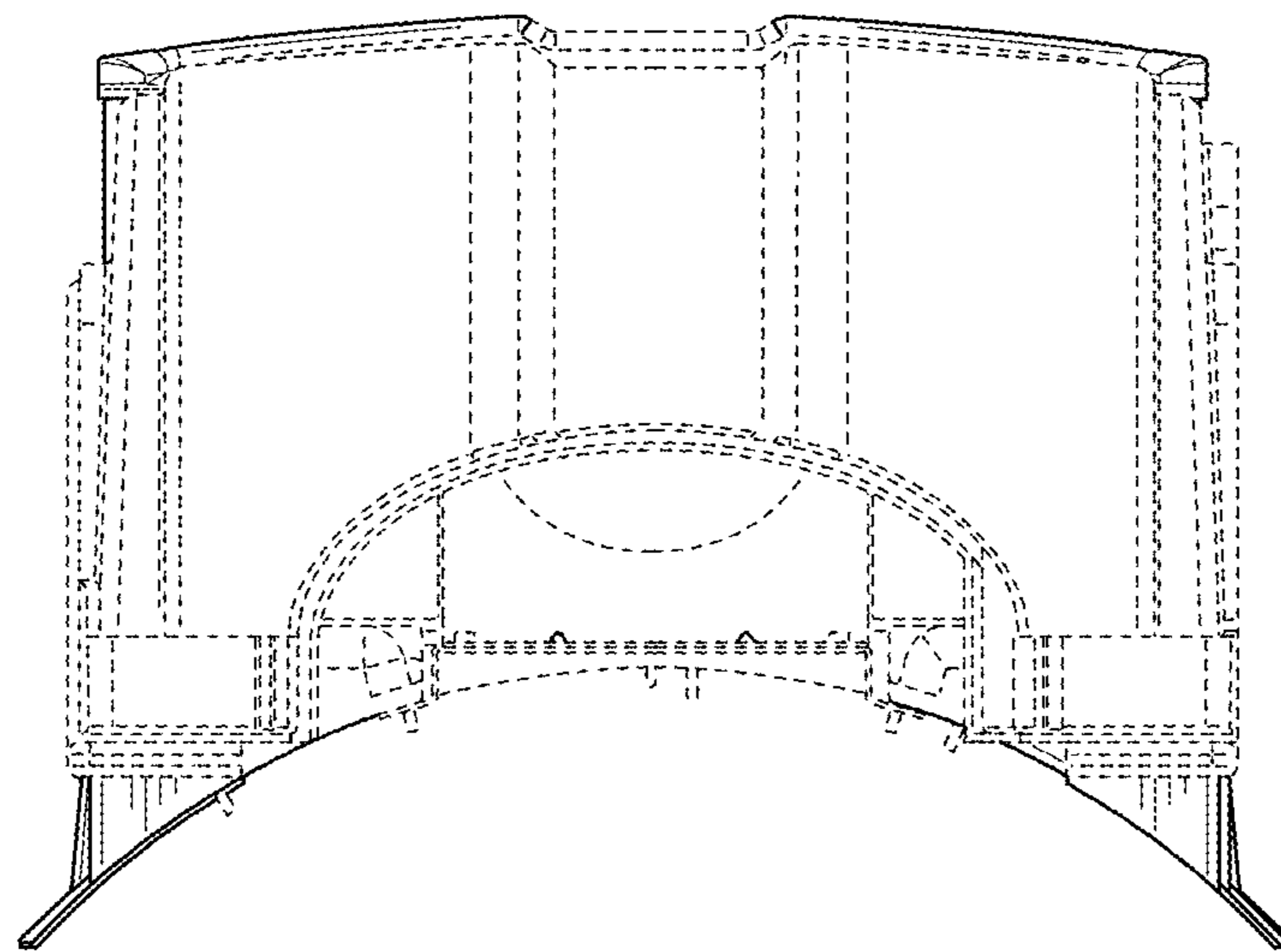


FIG. 8

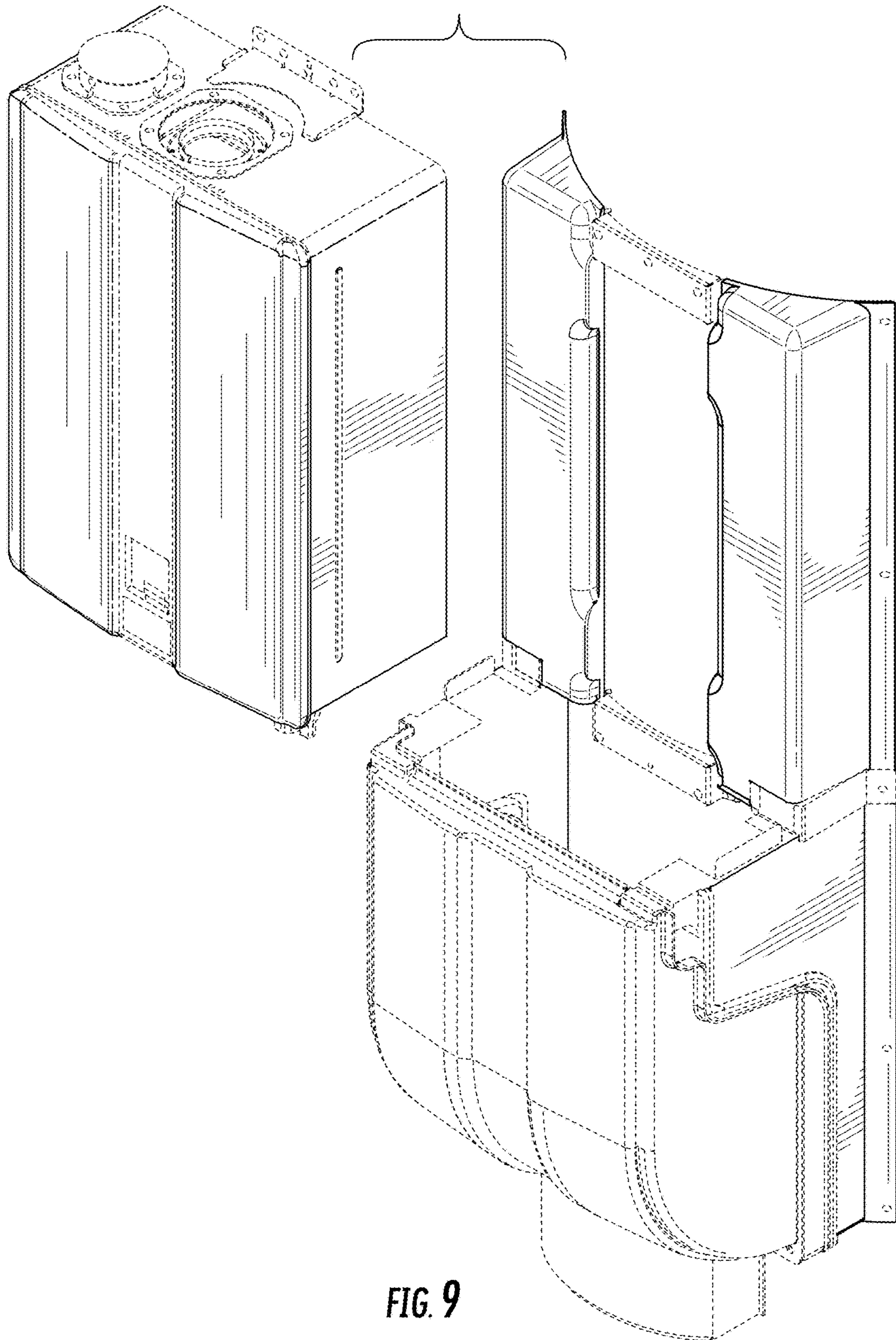


FIG. 9

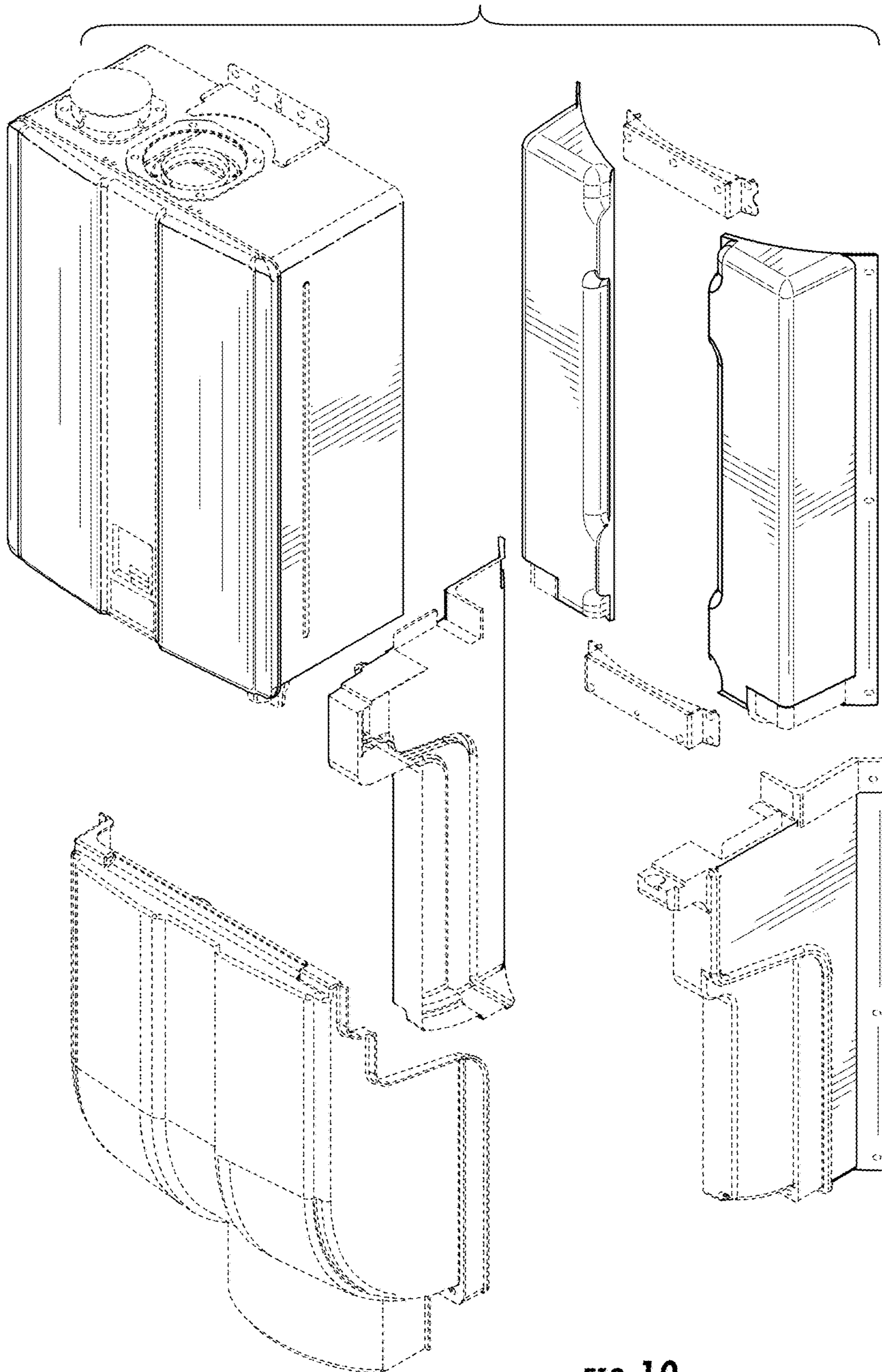
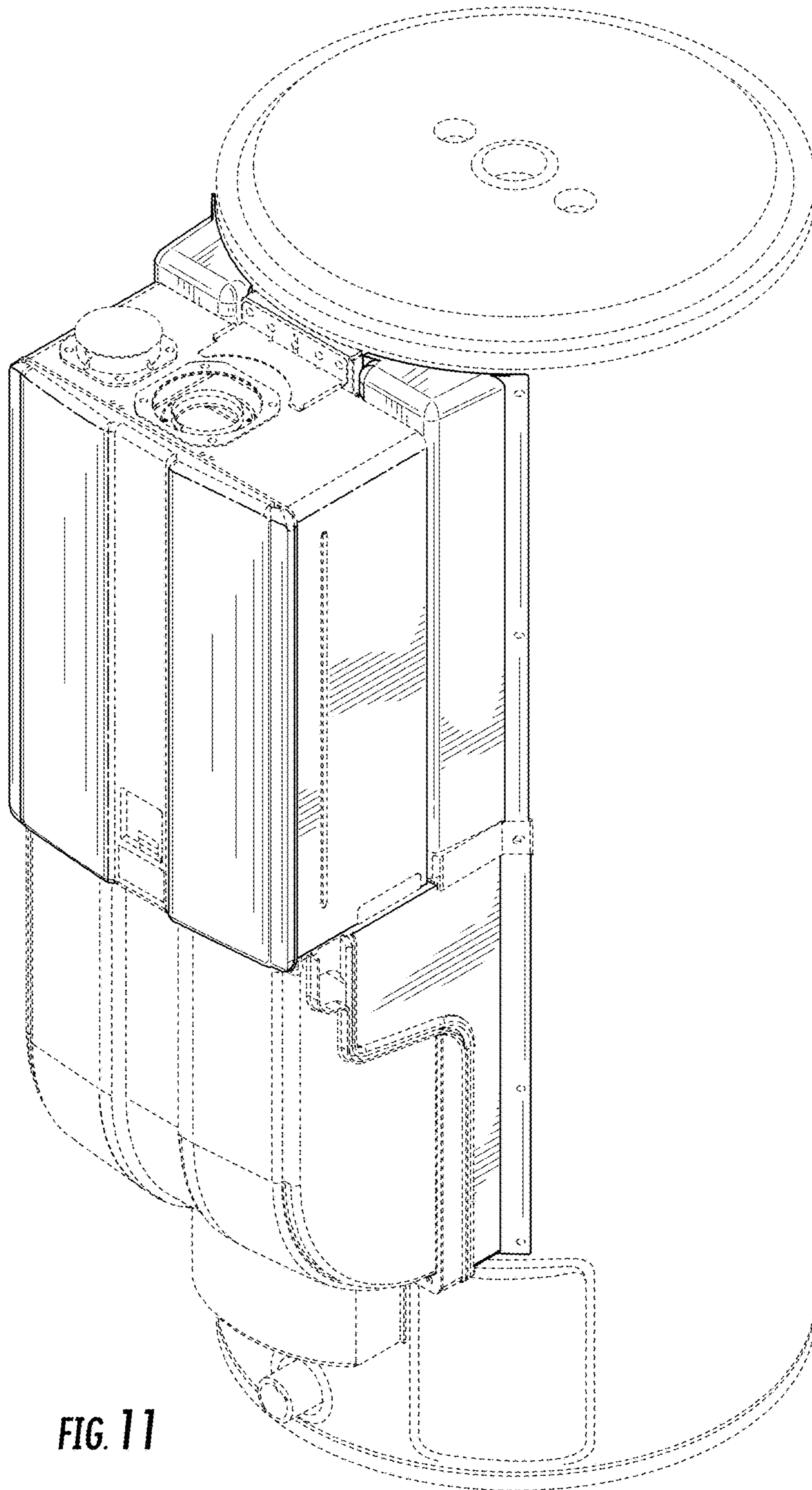


FIG. 10



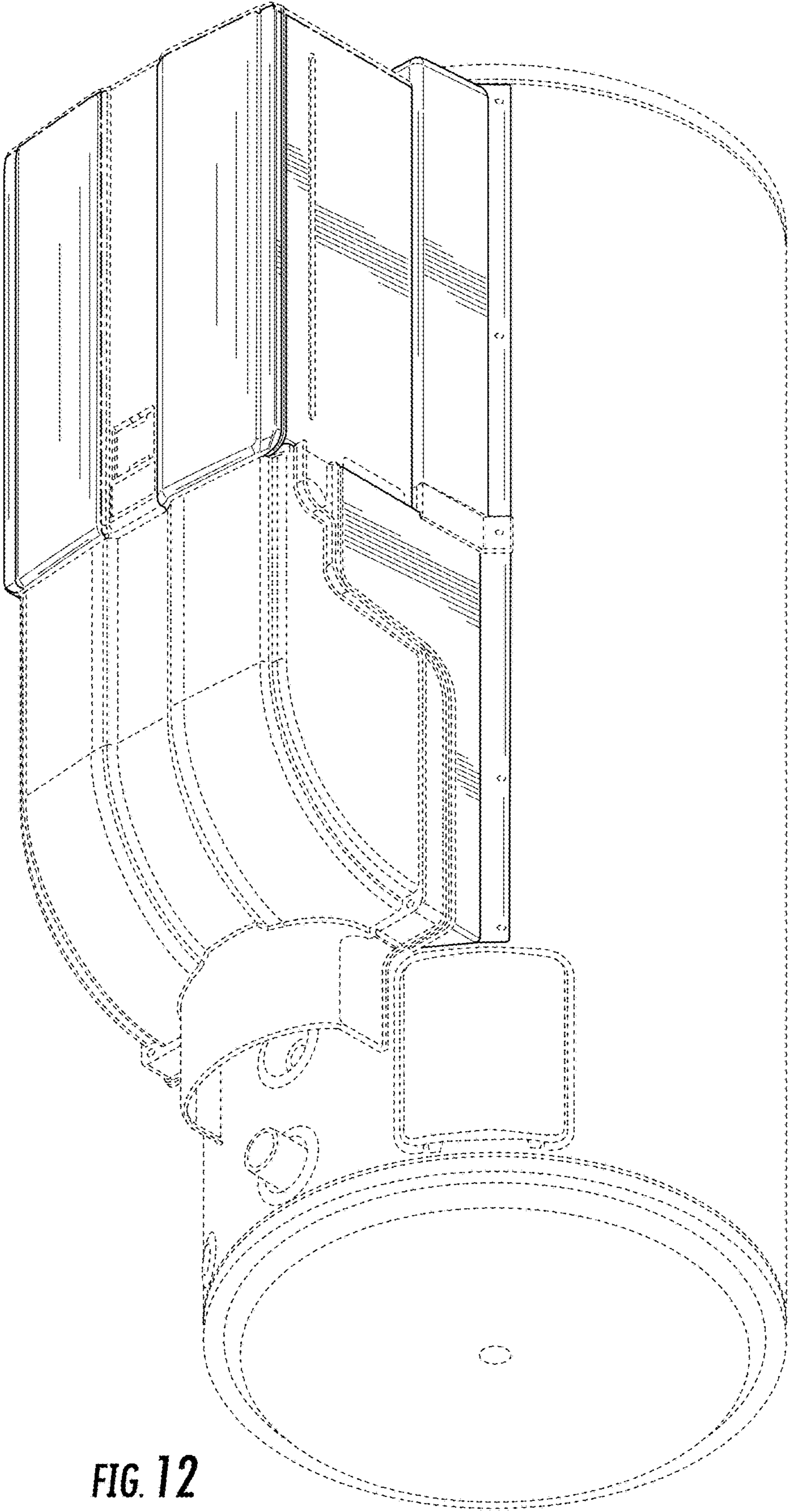


FIG. 12

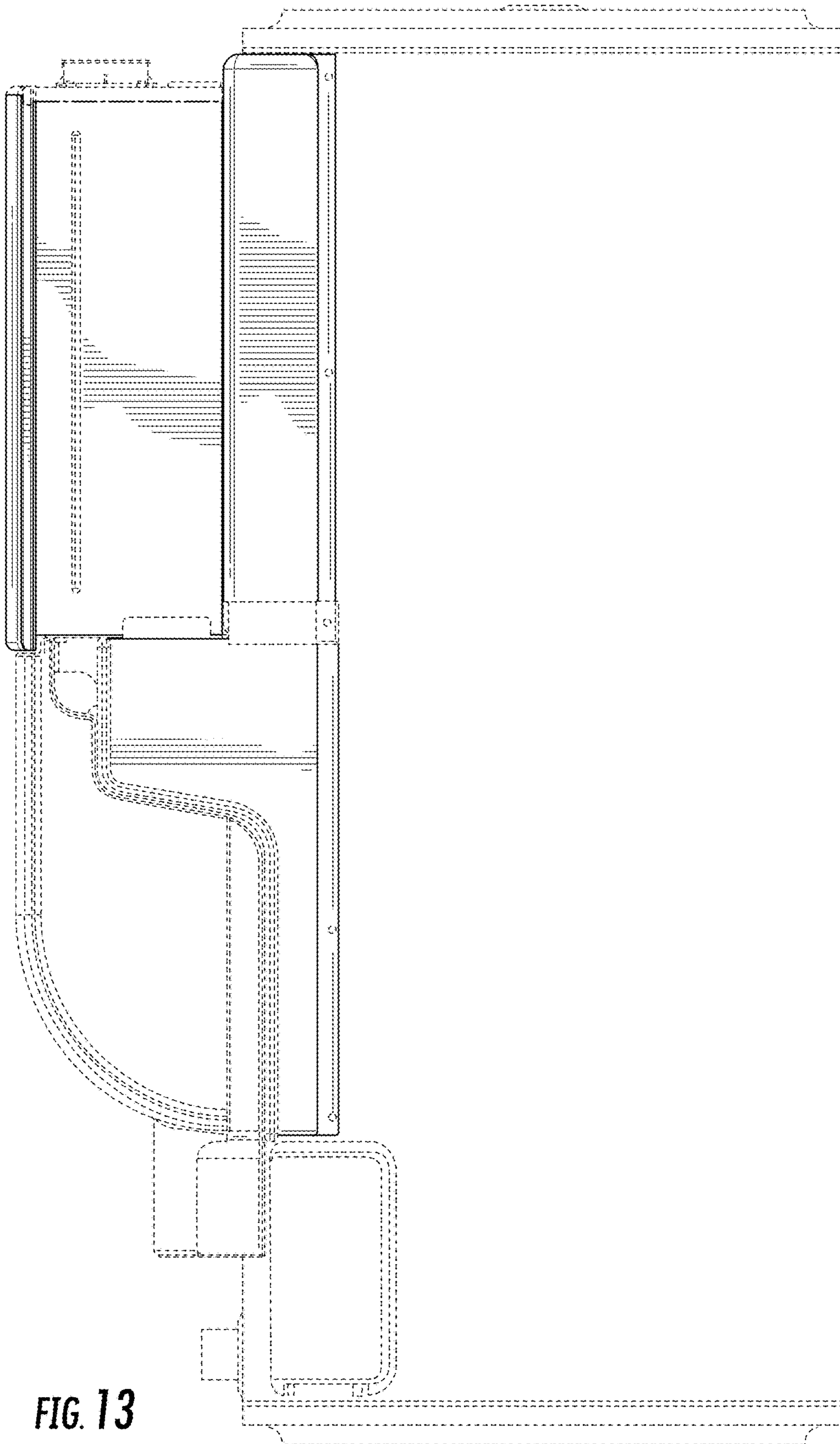


FIG. 13

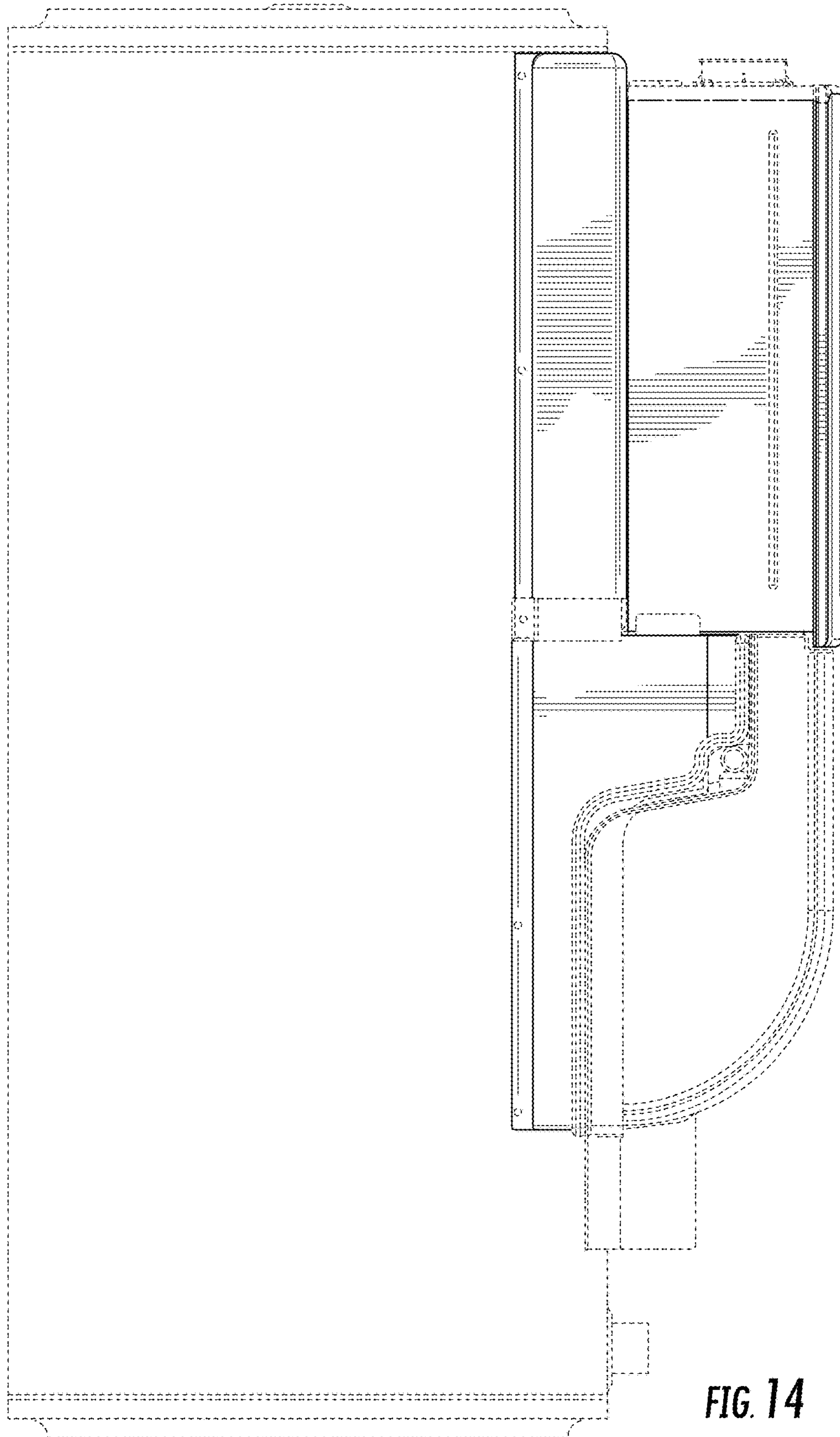


FIG. 14

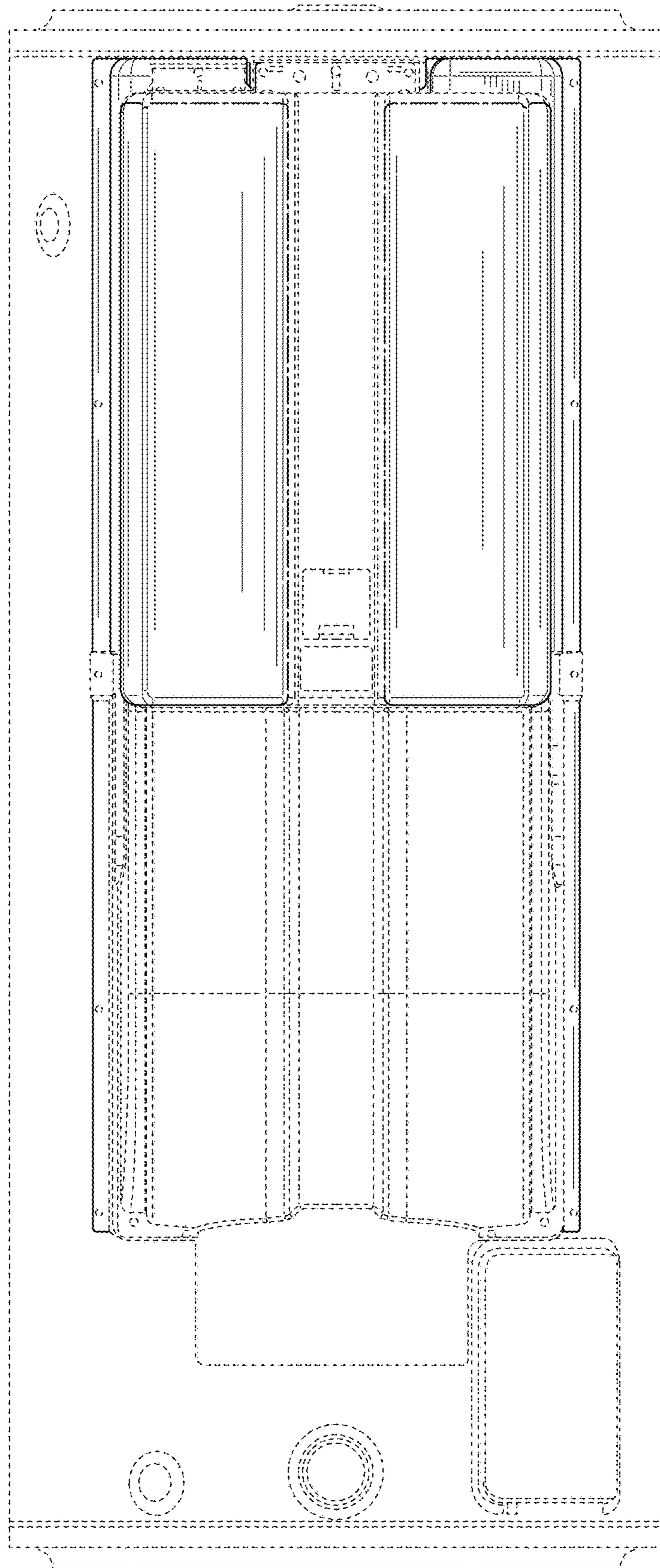


FIG. 15

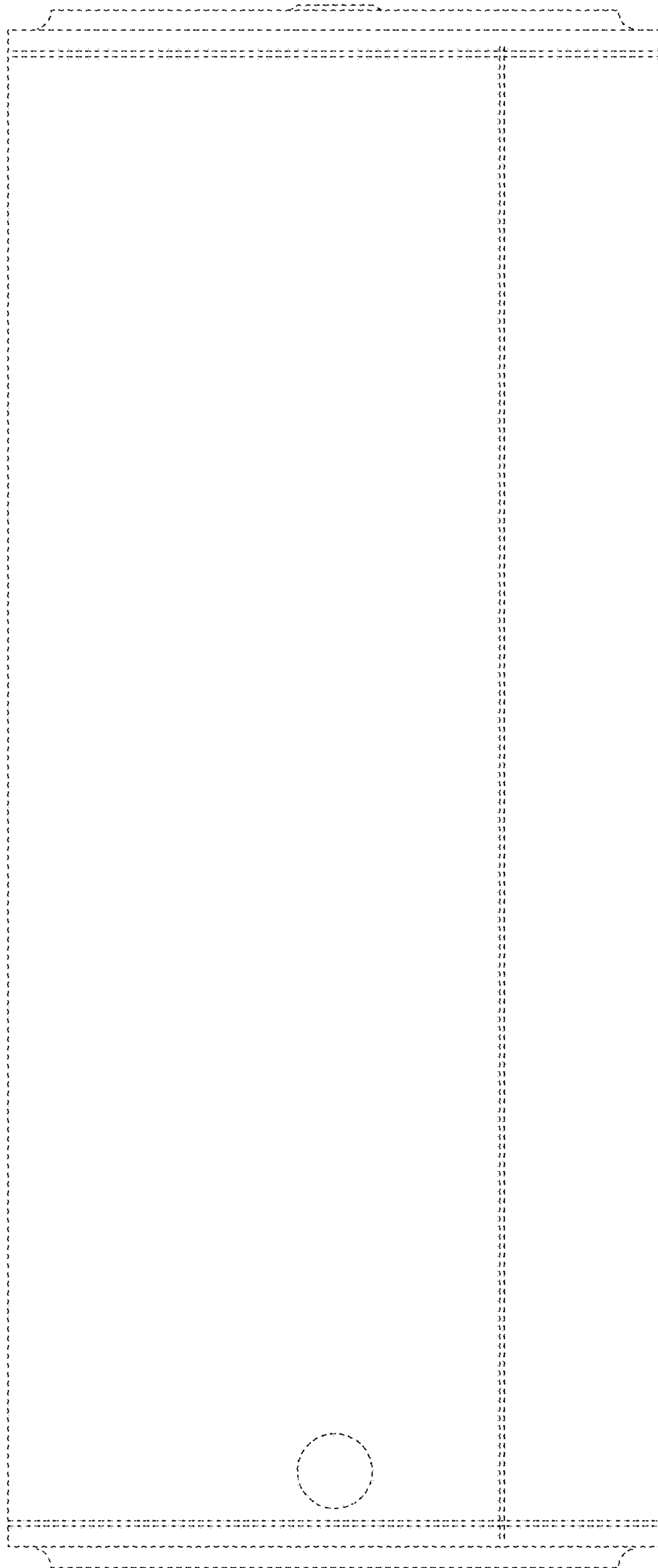


FIG. 16

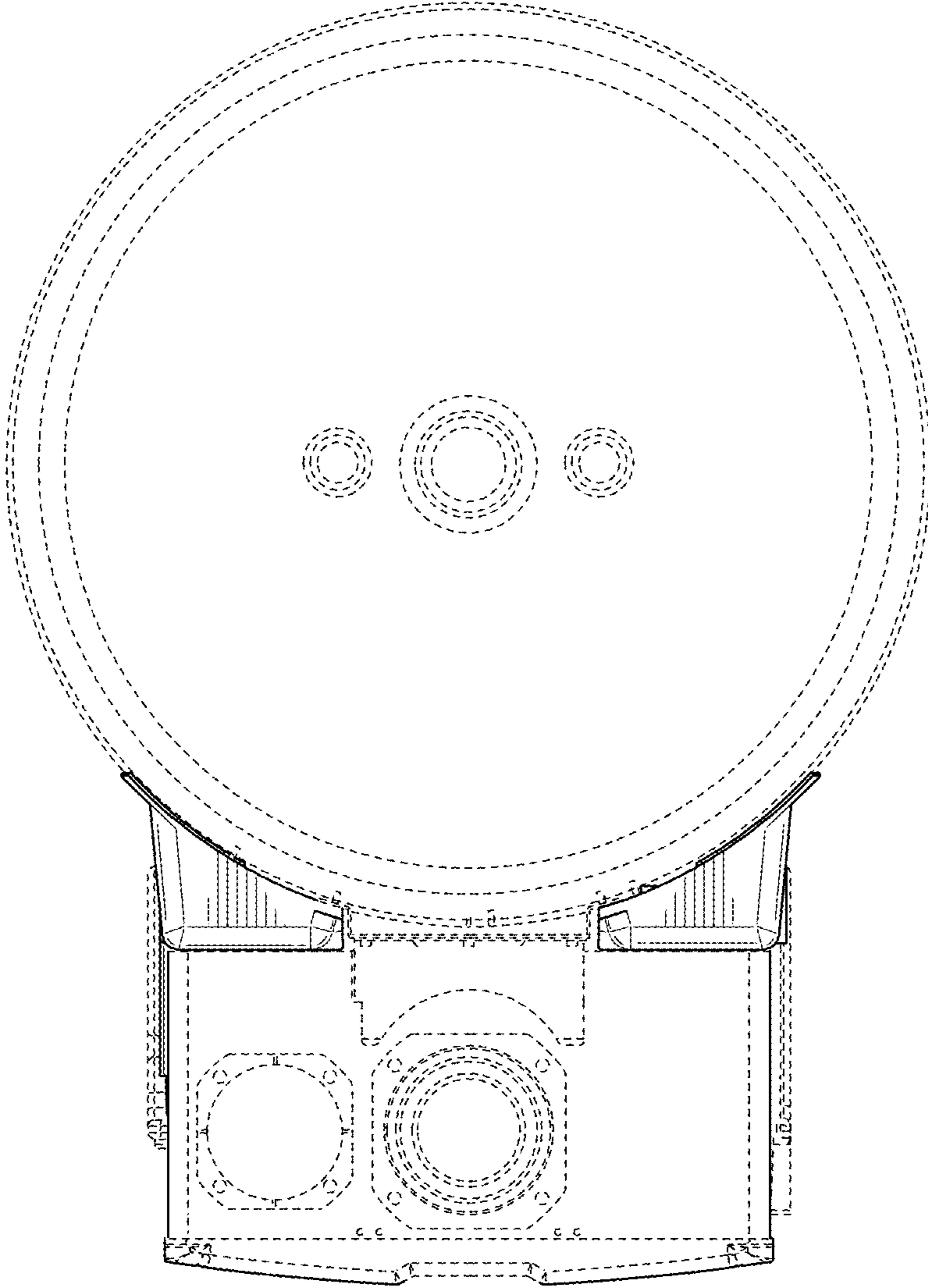


FIG. 17

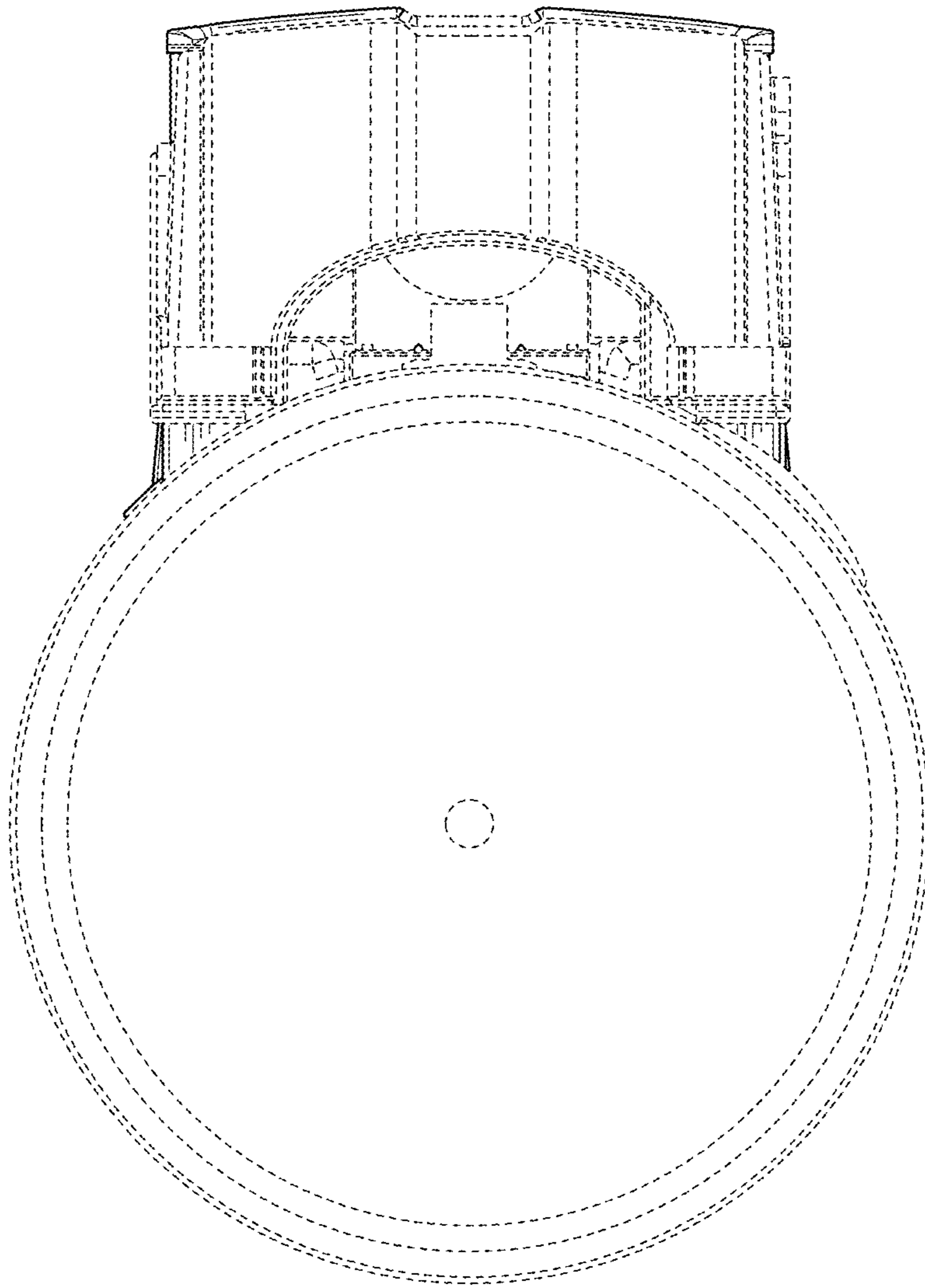


FIG. 18

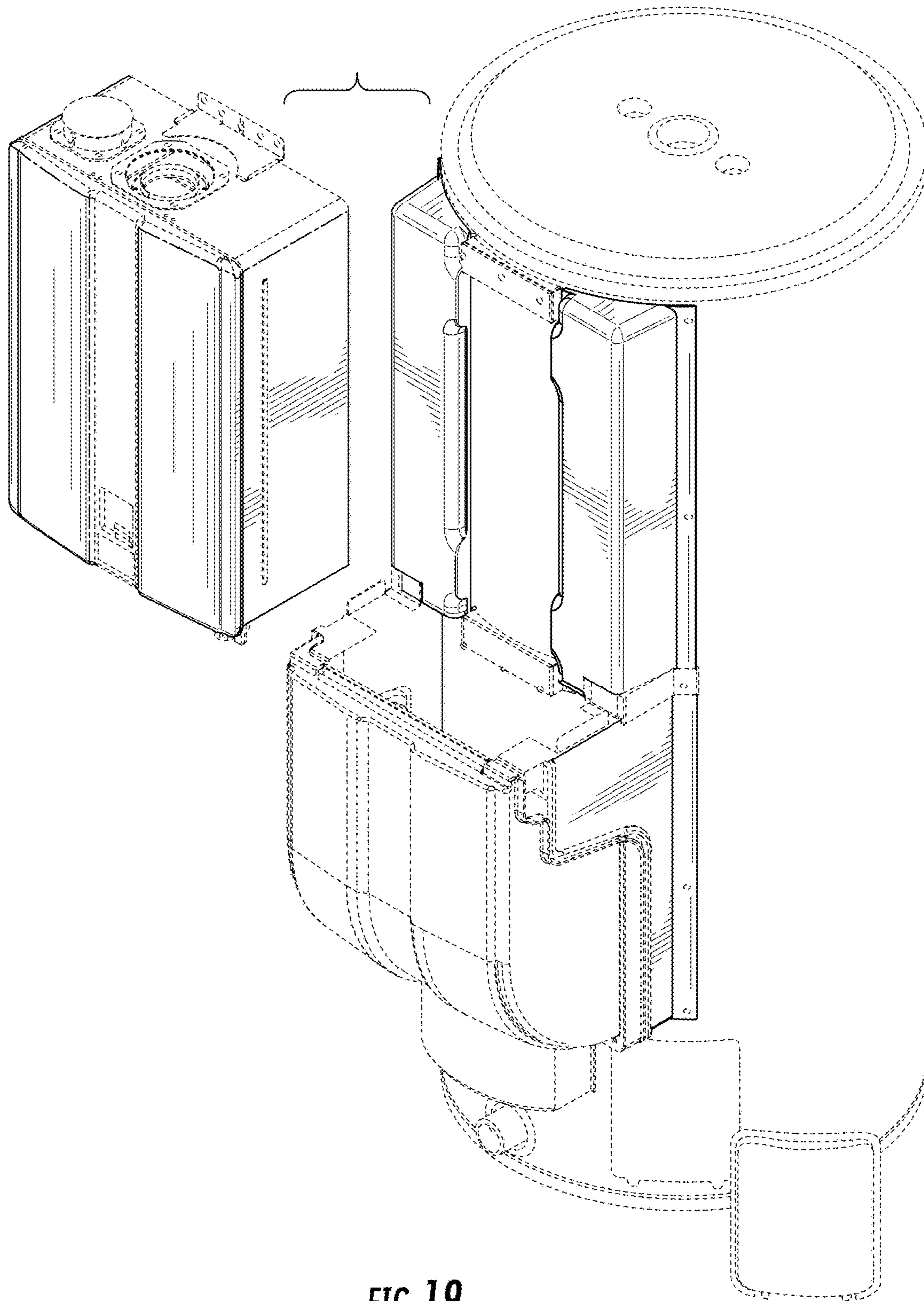


FIG. 19

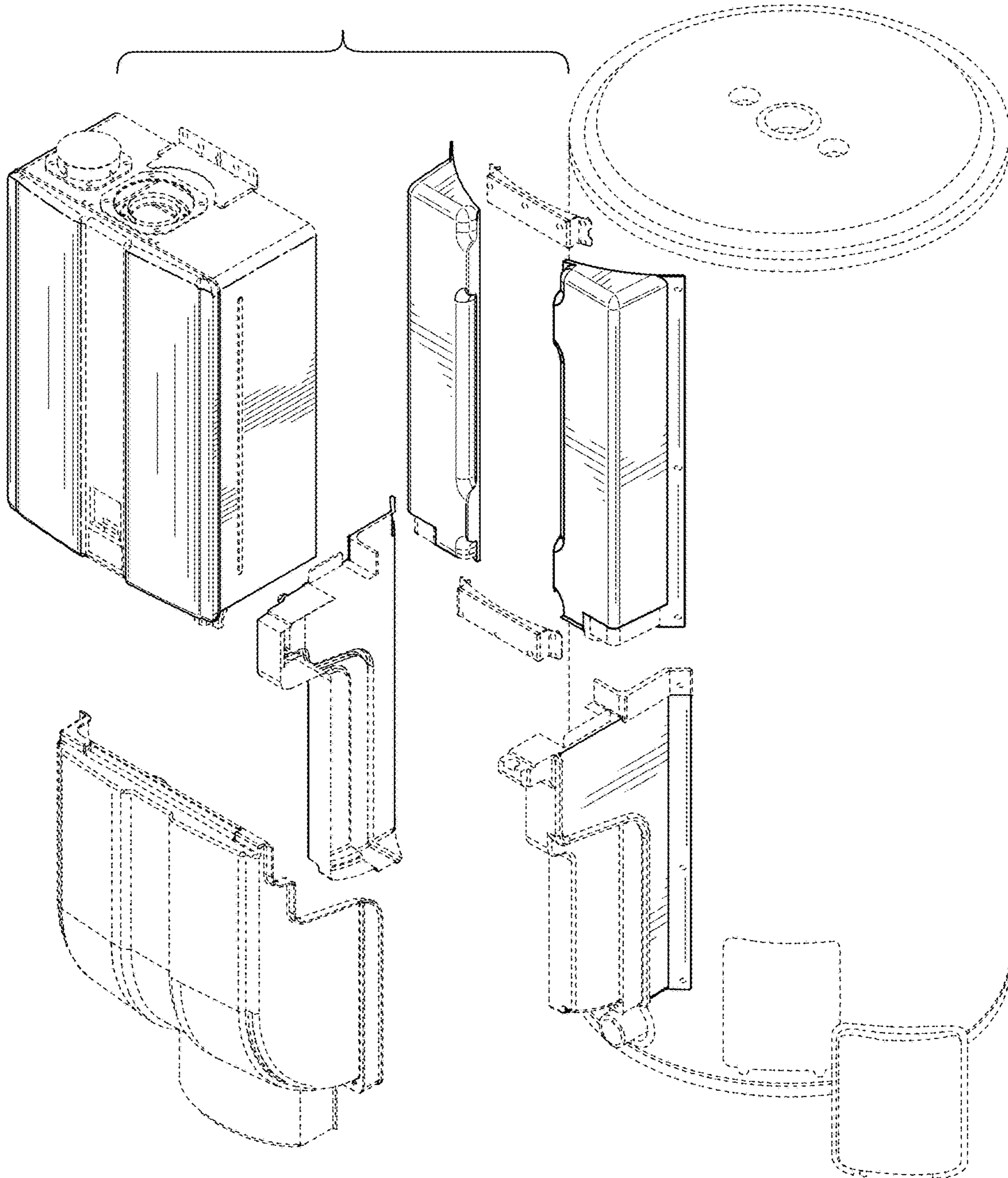


FIG. 20