



US00D825723S

(12) **United States Design Patent** (10) **Patent No.:** **US D825,723 S**  
**Newman** (45) **Date of Patent:** **\*\* Aug. 14, 2018**

(54) **THERMOELECTRIC HEAT PUMP**

- (71) Applicant: **Phononic, Inc.**, Durham, NC (US)
- (72) Inventor: **Devon Newman**, Morrisville, NC (US)
- (73) Assignee: **Phononic, Inc.**, Durham, NC (US)
- (\*\*) Term: **15 Years**
- (21) Appl. No.: **29/621,710**
- (22) Filed: **Oct. 11, 2017**

**Related U.S. Application Data**

- (62) Division of application No. 29/515,980, filed on Jan. 28, 2015.
- (51) **LOC (11) Cl.** ..... **23-03**
- (52) **U.S. Cl.**  
USPC ..... **D23/314**
- (58) **Field of Classification Search**  
USPC ..... D23/314, 322, 323, 329, 341  
CPC ..... H05K 7/20418; H05K 7/20427; H05K  
7/20509; H01L 35/32  
See application file for complete search history.

(56) **References Cited**

**U.S. PATENT DOCUMENTS**

5,112,238	A	5/1992	Cizin	
D432,085	S	10/2000	Huang	
6,822,874	B1	11/2004	Marler	
D504,665	S	5/2005	Lai et al.	
D647,855	S	11/2011	Chiang	
9,144,180	B2*	9/2015	Olsson	H01L 35/32
2007/0111575	A1	5/2007	Jensen et al.	
2009/0237619	A1*	9/2009	Yanagisawa	F25B 21/02 353/54
2011/0297203	A1	12/2011	Salvador et al.	

(Continued)

**FOREIGN PATENT DOCUMENTS**

JP 09139525 A 5/1997

**OTHER PUBLICATIONS**

Levine, Milton, "Putting Solid-State Coolers to Work," Machine Design, vol. 64, Issue 21, Oct. 22, 1992, Tech Briefs: Solid State Coolers, 2 pages.

(Continued)

*Primary Examiner* — T. Chase Nelson

*Assistant Examiner* — Ania Aman

(74) *Attorney, Agent, or Firm* — Withrow & Terranova, PLLC

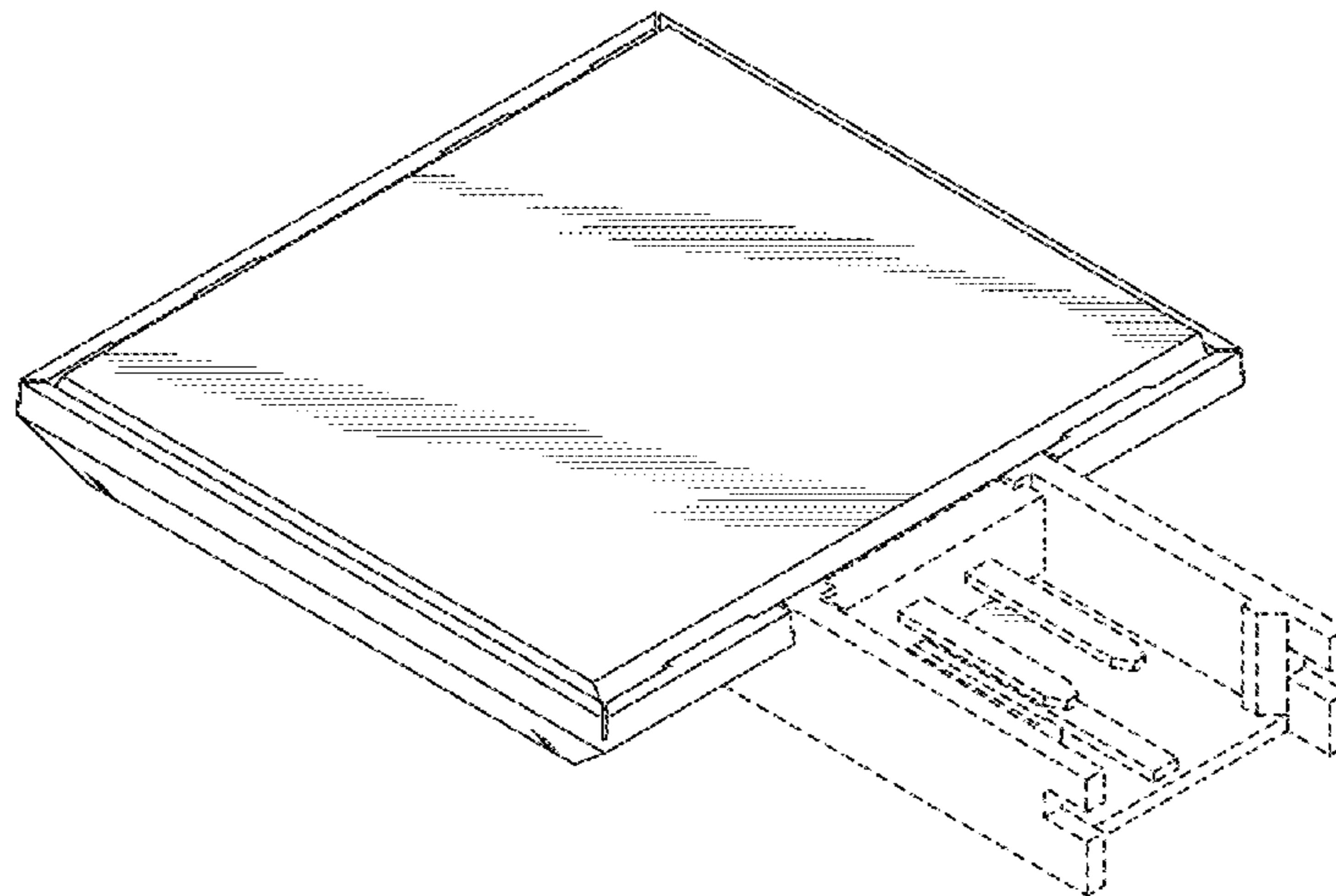
(57) **CLAIM**

The ornamental design for a thermoelectric heat pump, as shown and described.

**DESCRIPTION**

FIG. 1 is an upper perspective view of a thermoelectric heat pump showing our new design;  
 FIG. 2 is a lower perspective view of the thermoelectric heat pump of FIG. 1;  
 FIG. 3 is a top plan view of the thermoelectric heat pump of FIGS. 1-2;  
 FIG. 4 is a bottom plan view of the thermoelectric heat pump of FIGS. 1-3;  
 FIG. 5 is a left side elevation view of the thermoelectric heat pump of FIGS. 1-4;  
 FIG. 6 is a right side elevation view of the thermoelectric heat pump of FIGS. 1-5;  
 FIG. 7 is a rear elevation view of the thermoelectric heat pump of FIGS. 1-6; and,  
 FIG. 8 is a front elevation view of the thermoelectric heat pump of FIGS. 1-7.  
 Throughout the Figures, the dashed broken lines are included for the purpose of illustrating environment of the design and form no part of the claimed design, and the dot-dash broken lines represent boundaries of the claimed design and form no part of the claimed design.

**1 Claim, 8 Drawing Sheets**



(56)

References Cited

OTHER PUBLICATIONS

U.S. PATENT DOCUMENTS

2012/0073309 A1 3/2012 Hung et al.  
 2012/0325280 A1 12/2012 Akiyama et al.  
 2013/0032189 A1 2/2013 Moczygemba et al.  
 2013/0087180 A1 4/2013 Stark et al.  
 2013/0199593 A1 8/2013 Higashida et al.  
 2013/0227966 A1 9/2013 Ayres et al.  
 2013/0269744 A1 10/2013 Maeshima et al.  
 2013/0284228 A1 10/2013 Toyoda et al.  
 2014/0057495 A1 2/2014 Liao et al.  
 2014/0096808 A1 4/2014 Moczygemba  
 2014/0246067 A1 9/2014 Hoppe  
 2014/0338714 A1 11/2014 Gille et al.  
 2015/0013740 A1 1/2015 Kaibe et al.  
 2015/0068575 A1 3/2015 Komitsu  
 2015/0107272 A1\* 4/2015 Tachibana ..... F25B 21/02  
 62/3.6  
 2015/0116943 A1 4/2015 Olsson et al.  
 2015/0171302 A1 6/2015 Himmer  
 2015/0204585 A1 7/2015 Won et al.  
 2015/0303365 A1 10/2015 Tominaga et al.  
 2016/0156285 A1 6/2016 Elgezabal Gomez  
 2016/0163947 A1 6/2016 Lee et al.  
 2018/0010827 A1\* 1/2018 Gillen ..... F25B 21/02

Restriction Requirement for U.S. Appl. No. 29/515,980, dated May 2, 2017, 4 pages.  
 Quayle Action for U.S. Appl. No. 29/515,980, dated Jul. 11, 2017, 5 pages.  
 Decision of Registration and Notification for Japanese Design Patent Application No. 2015-014832, dated Nov. 10, 2015, 4 pages.  
 Decision of Registration and Notification for Japanese Design Patent Application No. 2015-014833, dated Nov. 10, 2015, 4 pages.  
 Preliminary Rejection for Korean Patent Application No. 30-2015-0032167, dated Dec. 17, 2015, 3 pages.  
 Preliminary Rejection for Korean Patent Application No. 30-2015-0032168, dated Dec. 17, 2015, 3 pages.  
 Preliminary Rejection for Korean Patent Application No. 30-2015-0032169, dated Dec. 17, 2015, 3 page.  
 Notice of Allowance for U.S. Appl. No. 29/515,980, dated Dec. 18, 2017, 7 pages.  
 Ex Parte Quayle Action for U.S. Appl. No. 29/621,713, mailed Apr. 5, 2018, 6 pages.

\* cited by examiner

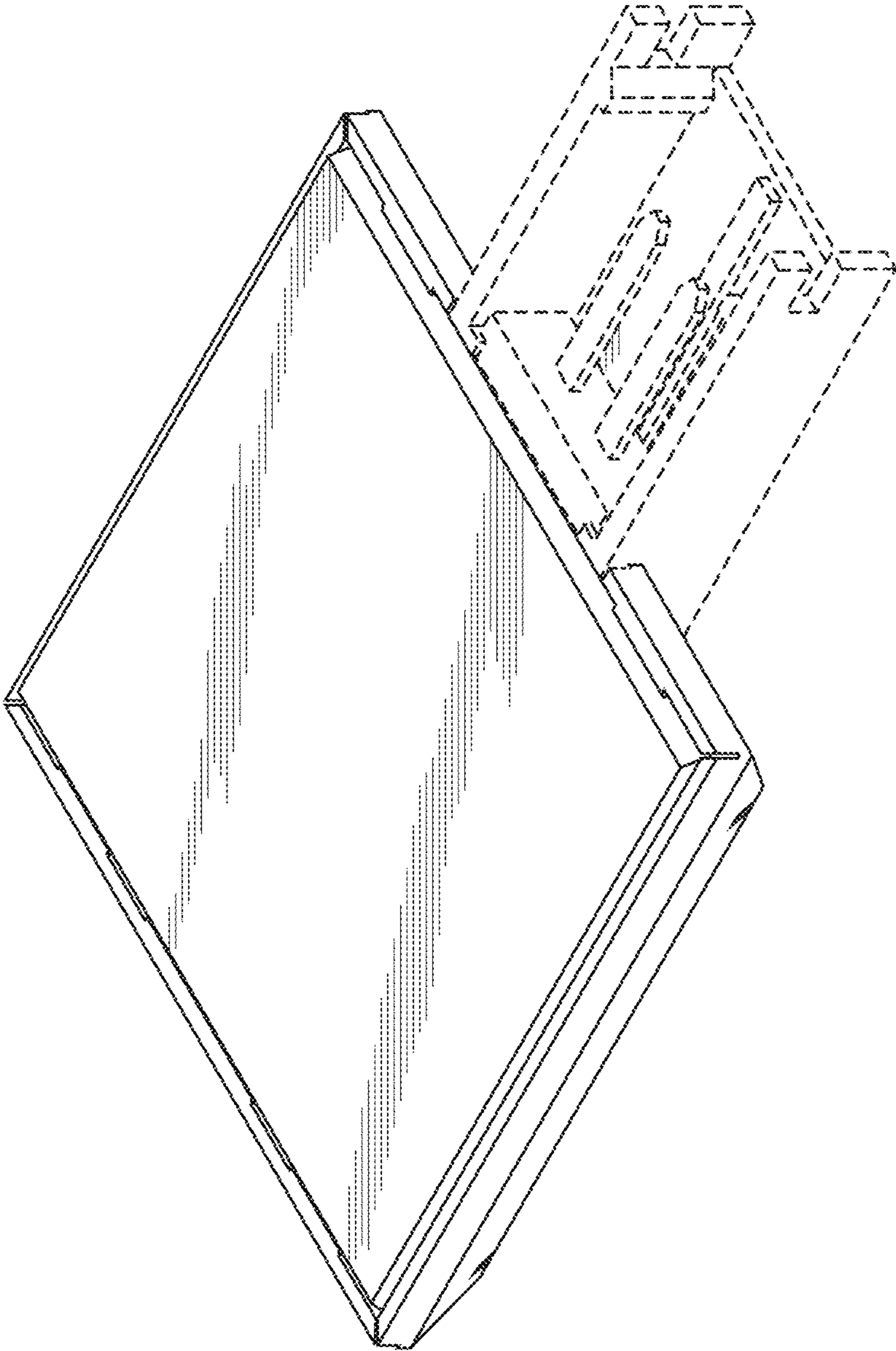


FIG. 1

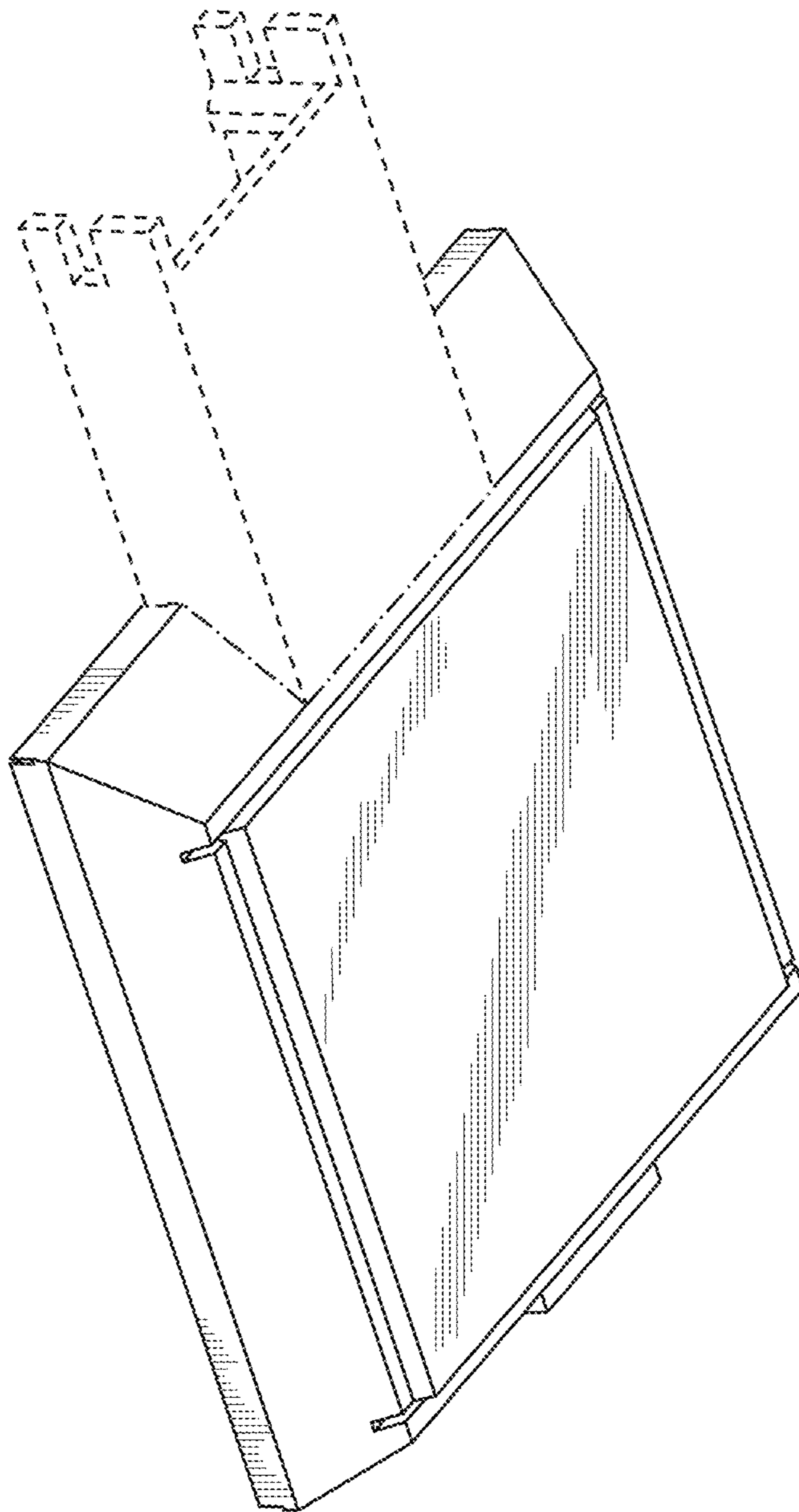


FIG. 2

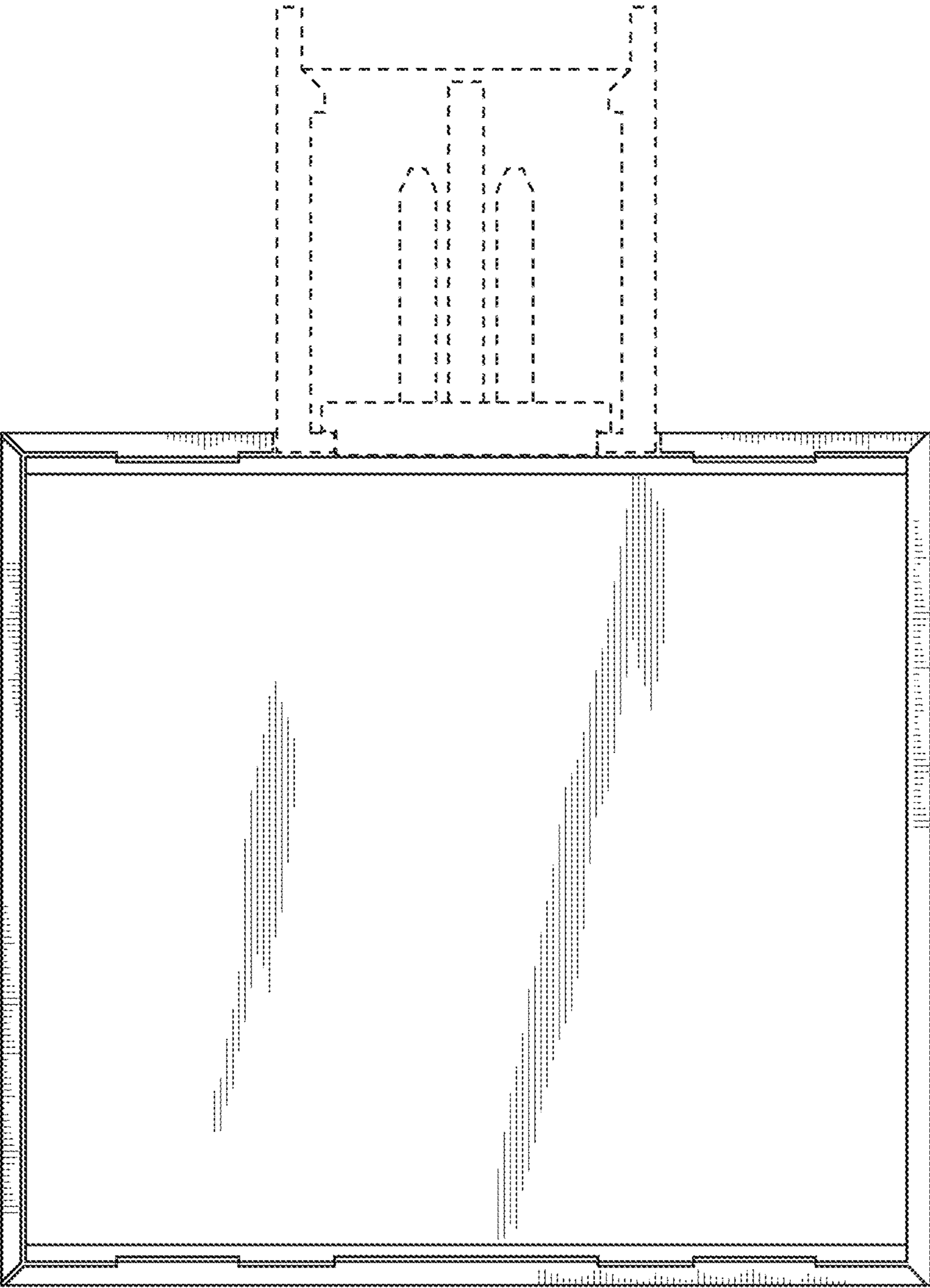


FIG. 3

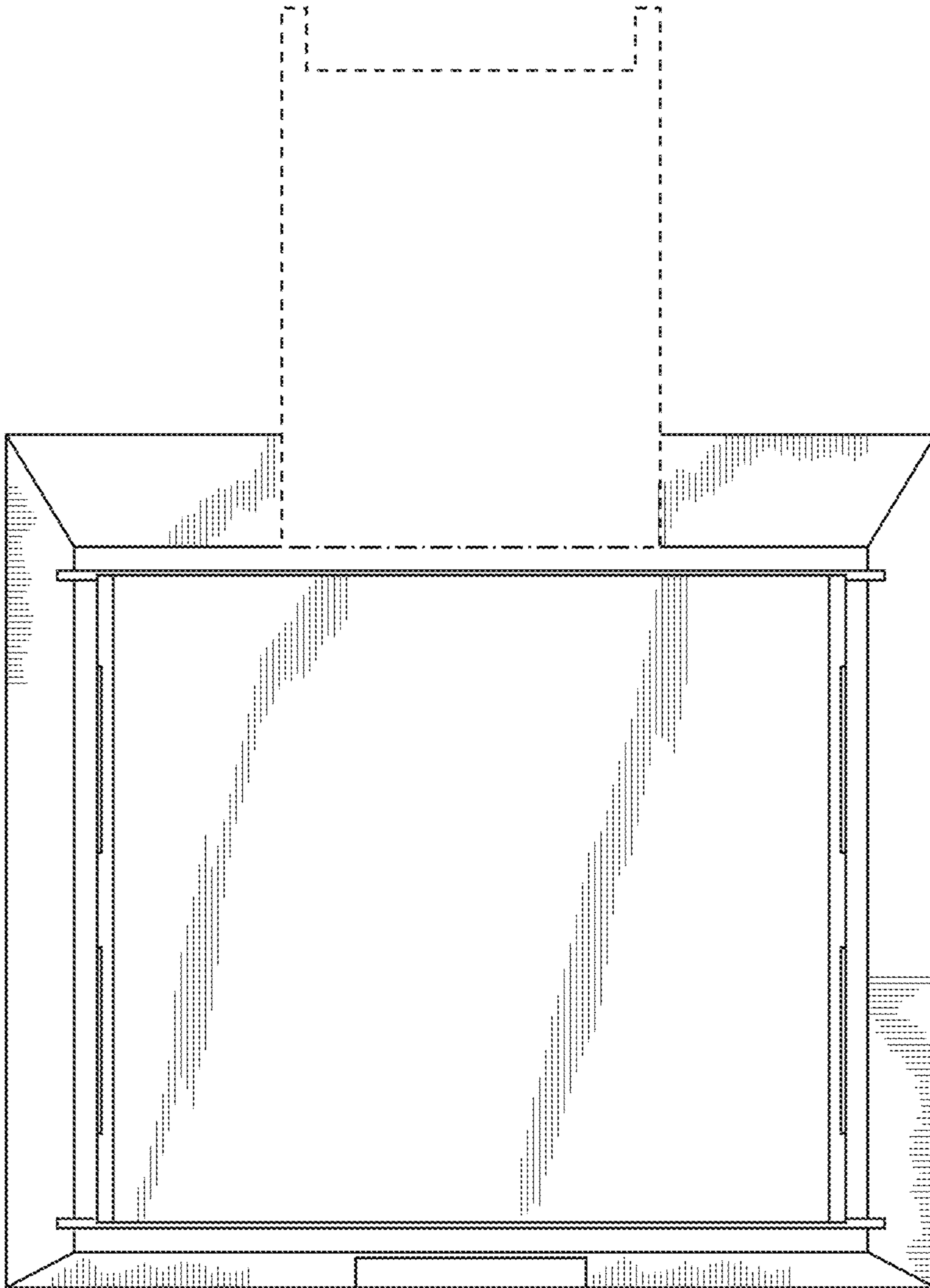


FIG. 4

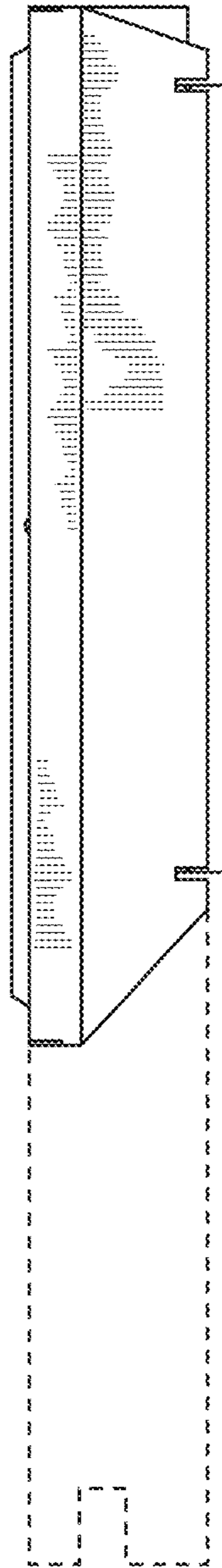


FIG. 5

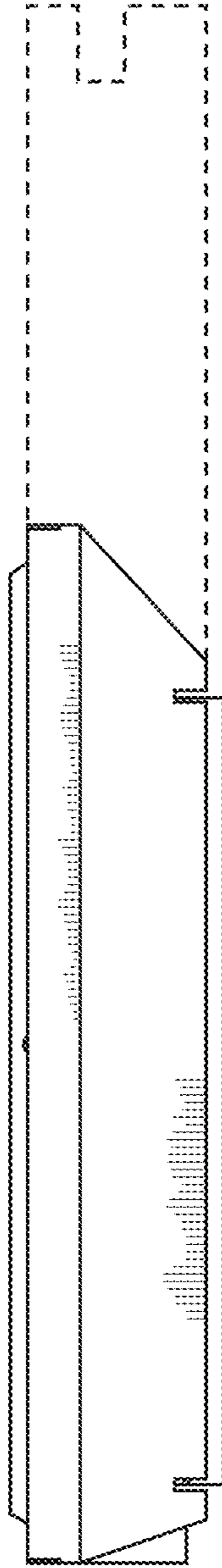


FIG. 6



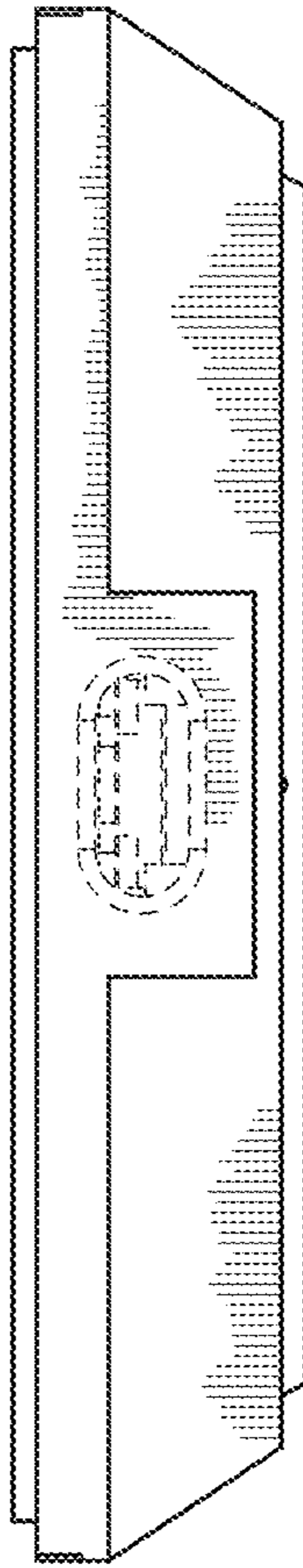


FIG. 7

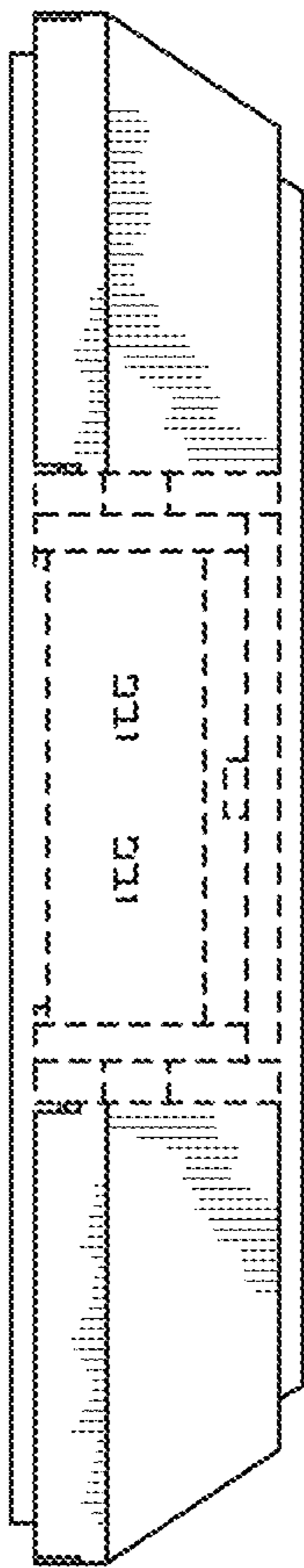


FIG. 8