



US00D825722S

(12) **United States Design Patent**
Burnstein

(10) **Patent No.:** **US D825,722 S**

(45) **Date of Patent:** **** Aug. 14, 2018**

(54) **BATH TUB**

(71) Applicant: **Aquatica Technology Holdings, Ltd.**,
Calgary (CA)

(72) Inventor: **Joseph Burnstein**, Calgary (CA)

(73) Assignee: **AQUATICA TECHNOLOGY HOLDINGS, LTD.**, Calgary (CA)

(**) Term: **15 Years**

(21) Appl. No.: **29/585,019**

(22) Filed: **Nov. 18, 2016**

(51) **LOC (11) Cl.** **23-02**

(52) **U.S. Cl.**
USPC **D23/280.1**

(58) **Field of Classification Search**
USPC ... D23/277-279, 280.1, 280.2, 280.3, 280.4,
D23/304-310
CPC A47K 3/006; A47K 3/02; A47K 3/022;
E05C 9/16

See application file for complete search history.

(56) **References Cited**

U.S. PATENT DOCUMENTS

D258,610 S *	3/1981	Tulipani	D23/280.1
D294,290 S *	2/1988	Wilkins	D23/280.4
D317,354 S *	6/1991	Taylor	D23/280.1
D323,378 S *	1/1992	Delepine	D23/280.1
D358,633 S *	5/1995	McKeone	D23/304
D368,530 S *	4/1996	Lawing	D24/204
D462,113 S *	8/2002	Marshall	D23/280.1
D485,890 S *	1/2004	Lanius	D23/280.1

D503,779 S *	4/2005	Turcotte	D23/280.1
D638,105 S *	5/2011	Jiang	D23/277
D726,292 S *	4/2015	Spangler	D23/277
D761,399 S *	7/2016	Kuzman	D23/277

OTHER PUBLICATIONS

Aquatica True Ofuro Tranquility Heated Japanese Bathtub found online [Mar. 6, 2018]—<https://www.aquaticausa.com/products/627722004484-aquatica-true-ofuro-tranquility-heating-freestanding-stone-japanese-bathtub-usa>.*

* cited by examiner

Primary Examiner — Celia A Murphy

Assistant Examiner — John A Voytek

(74) *Attorney, Agent, or Firm* — Dergosits & Noah LLP

(57) **CLAIM**

The ornamental design for a bath tub, as shown and described.

DESCRIPTION

FIG. 1 is a top perspective view of a bath tub, showing my new design.

FIG. 2 is a bottom perspective view of the bath tub.

FIG. 3 is a side view of the bath tub.

FIG. 4 is a sectional view of the bath tub, taken longitudinally through FIG. 3.

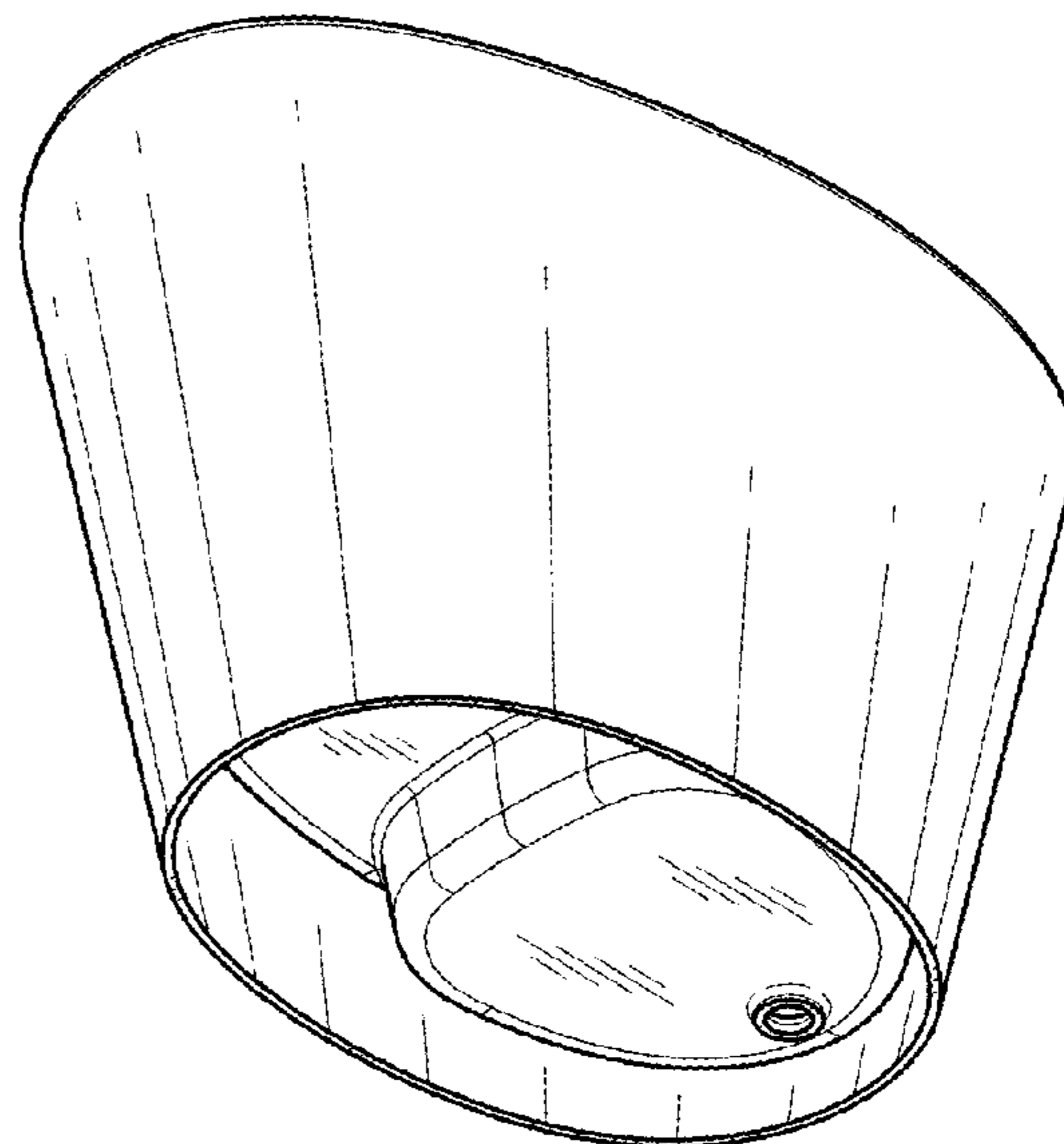
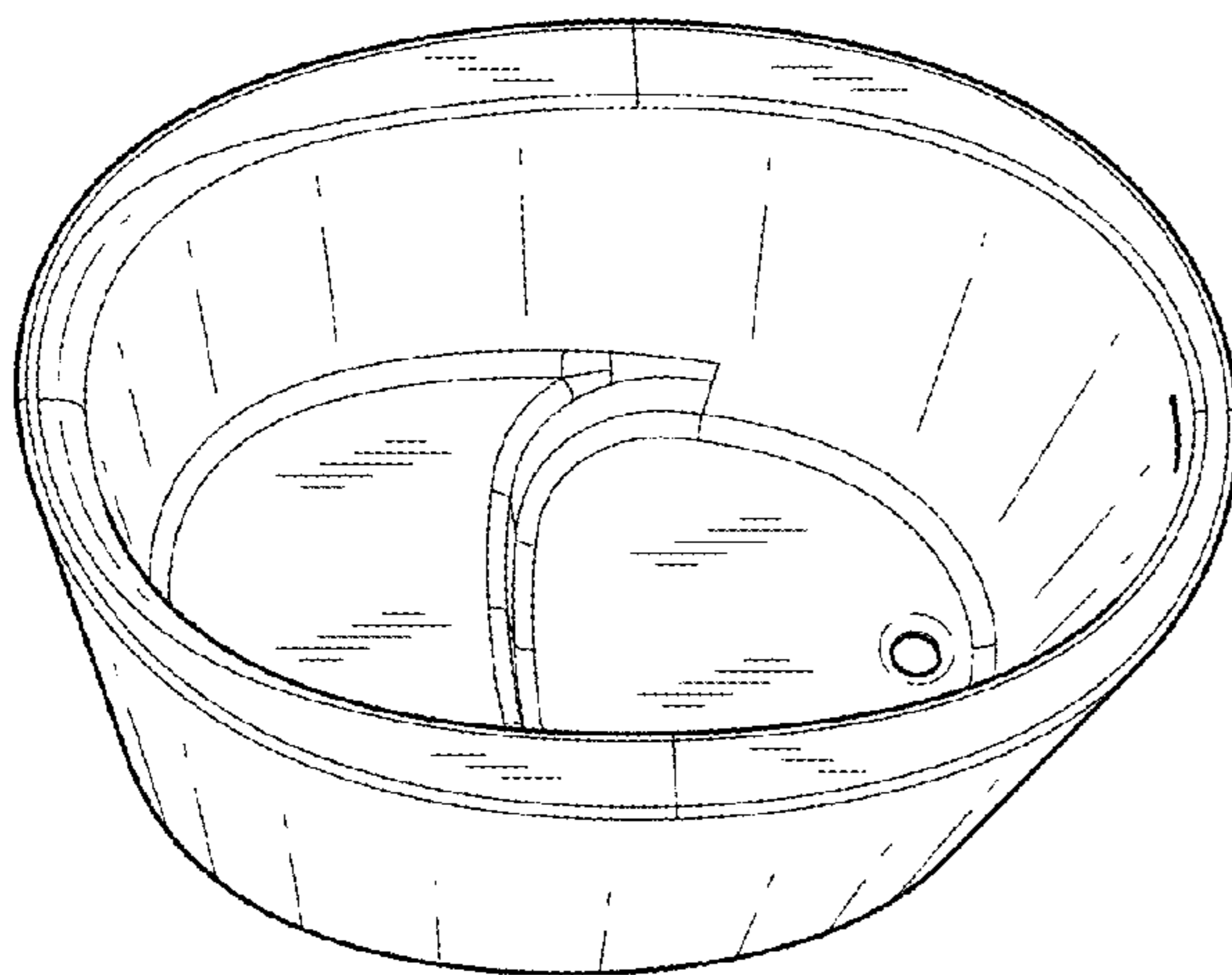
FIG. 5 is a rear view of the bath tub.

FIG. 6 is a front view of the bath tub.

FIG. 7 is a top plan view of the bath tub; and,

FIG. 8 is a bottom view of the bath tub.

1 Claim, 4 Drawing Sheets



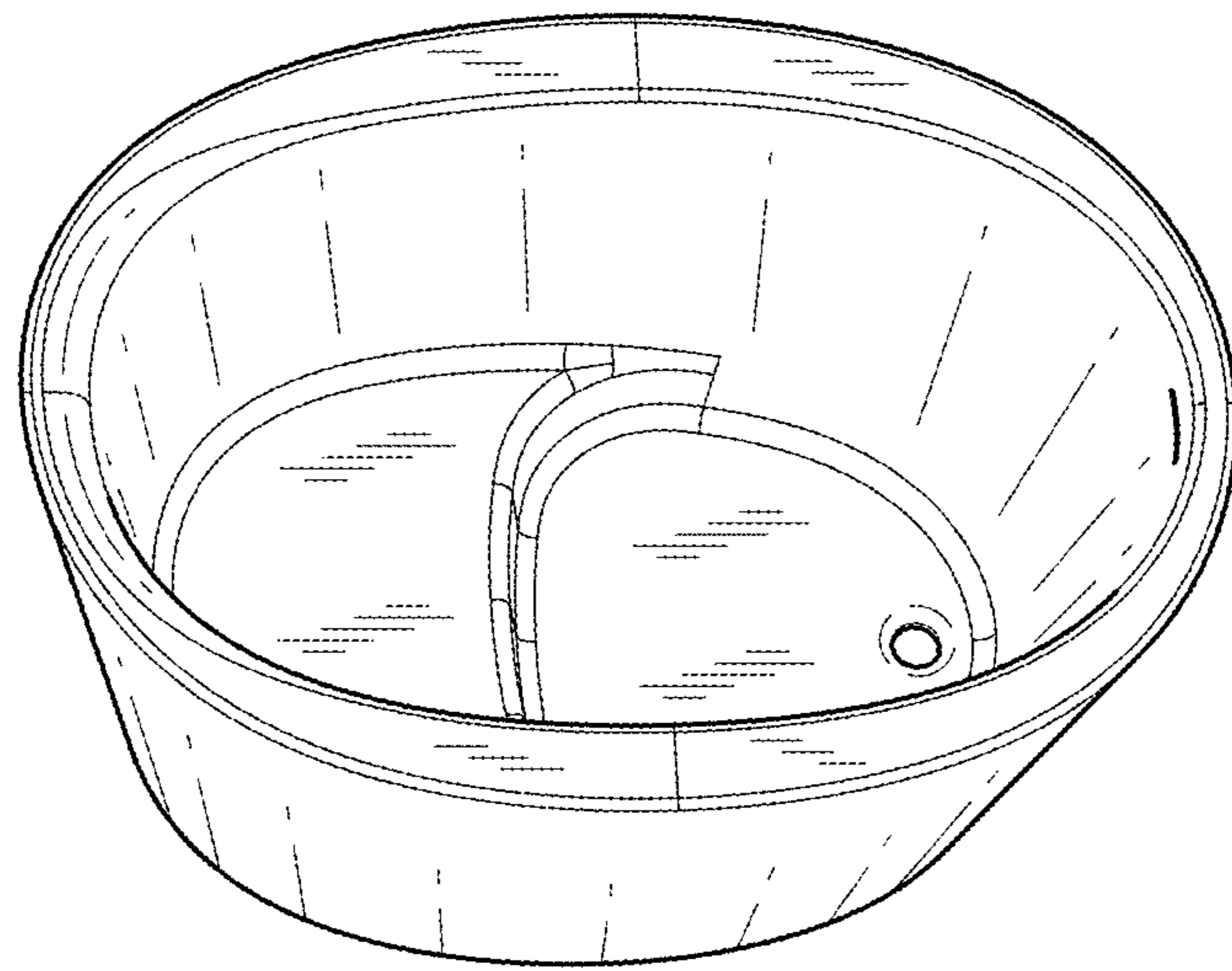


FIG. 1

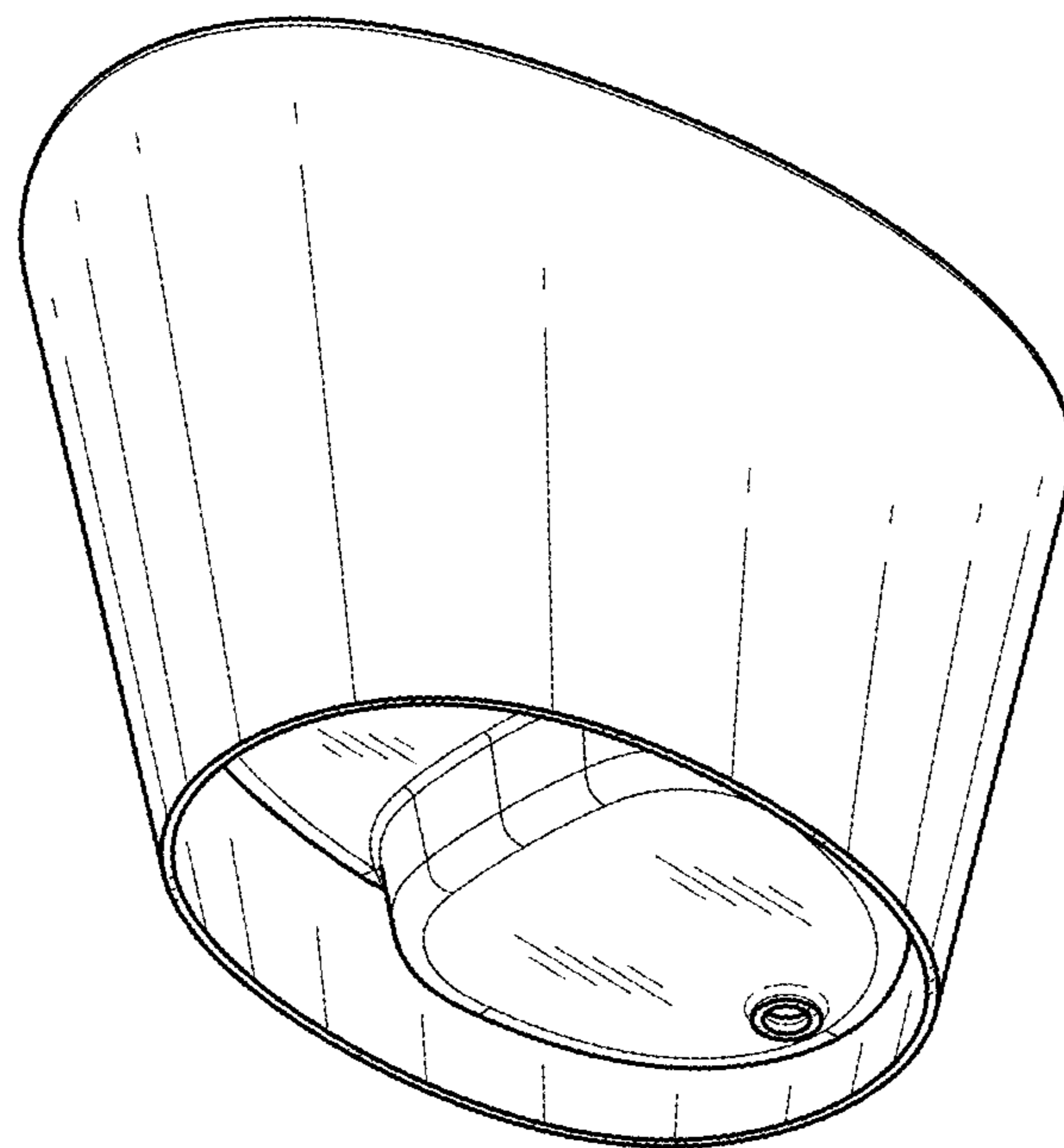


FIG. 2

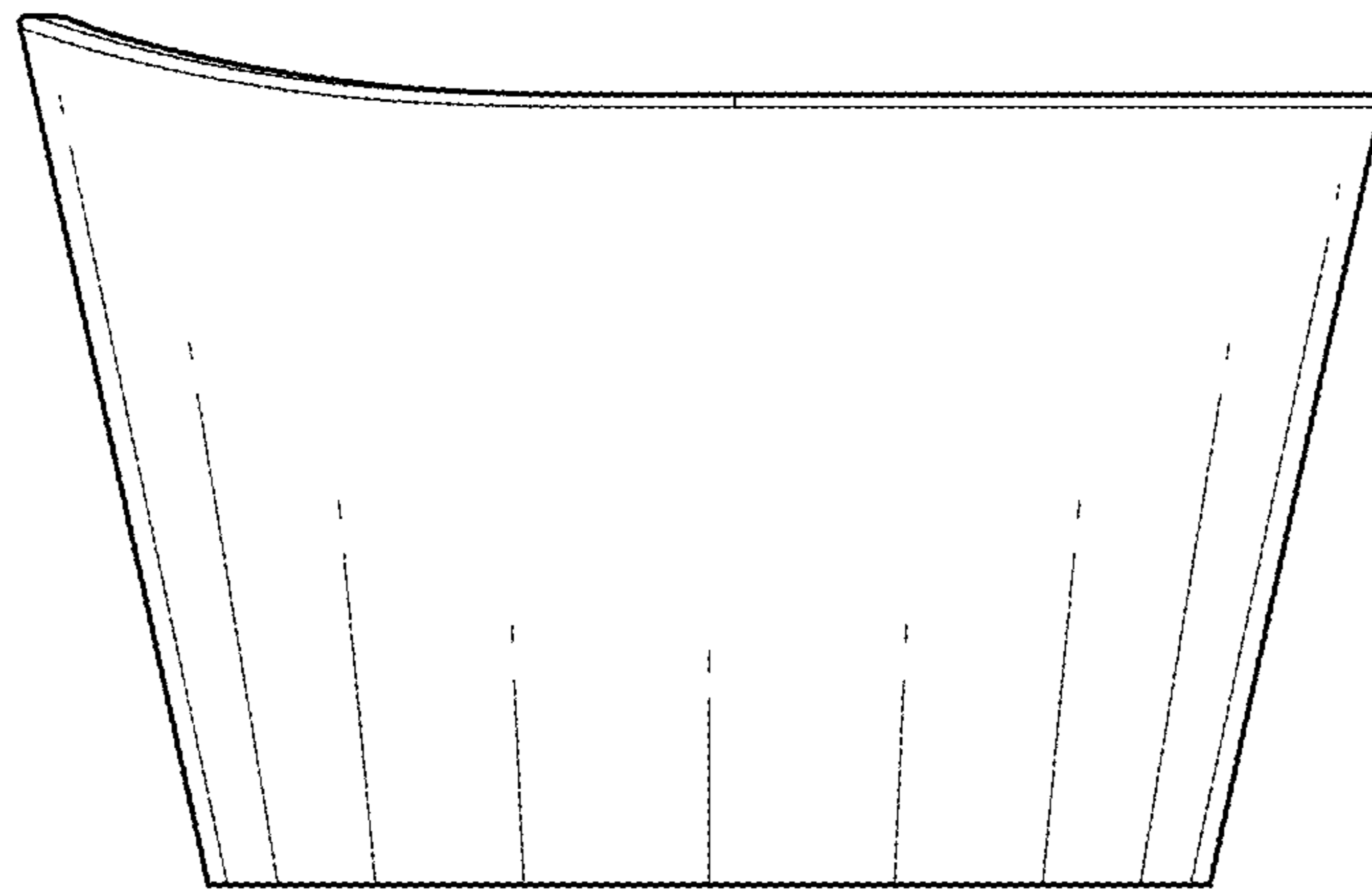


FIG. 3

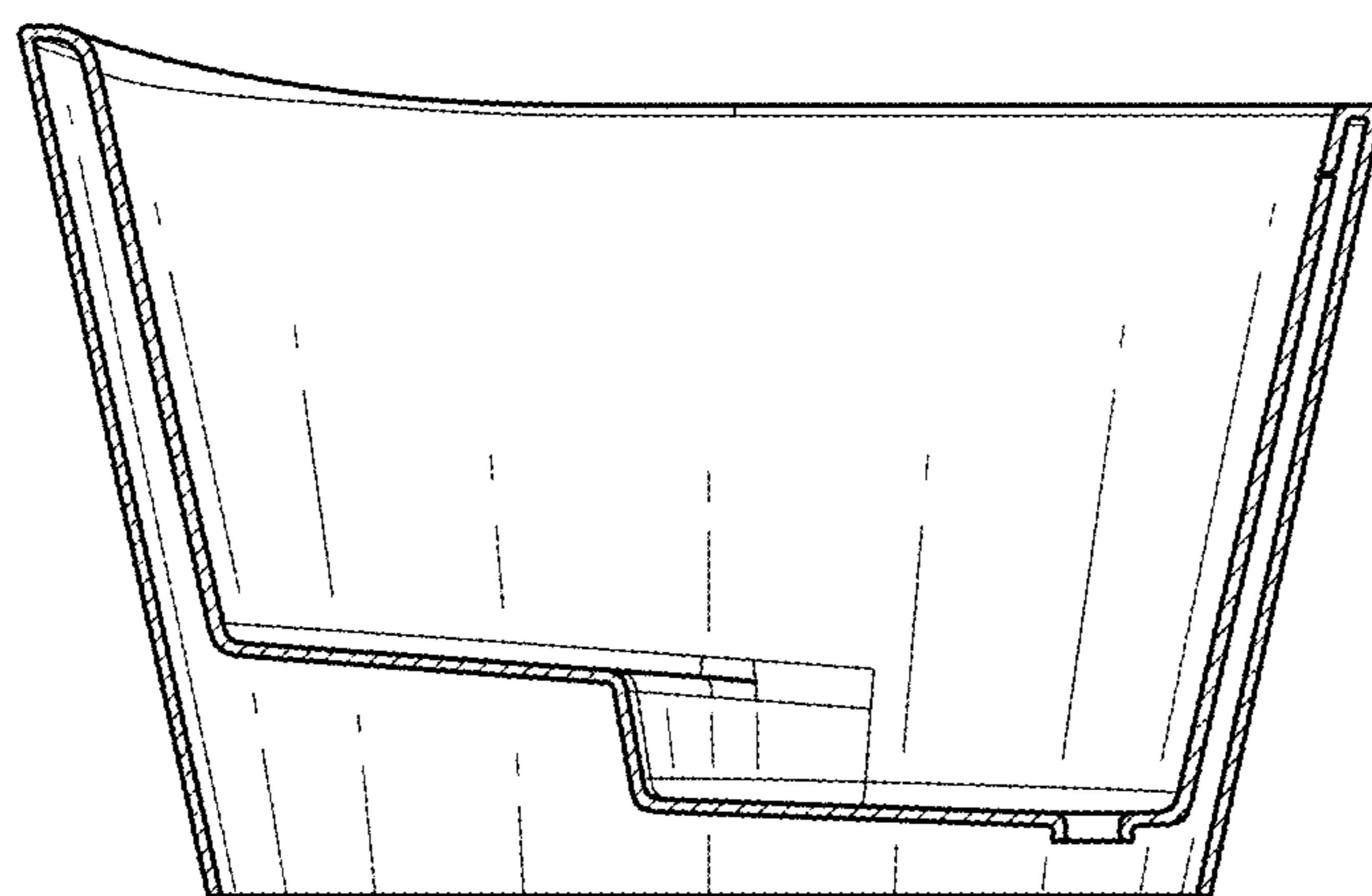


FIG. 4

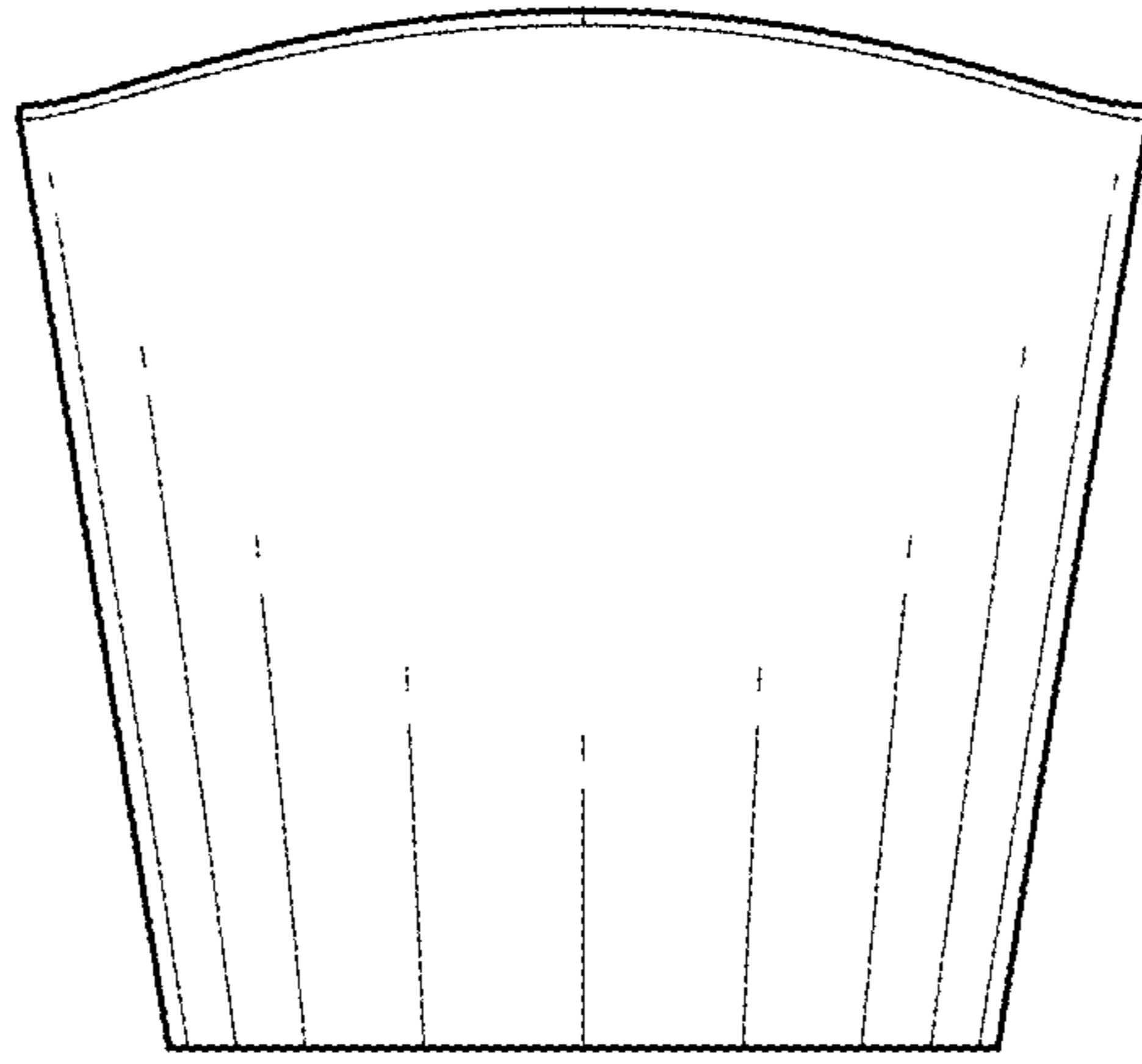


FIG. 5

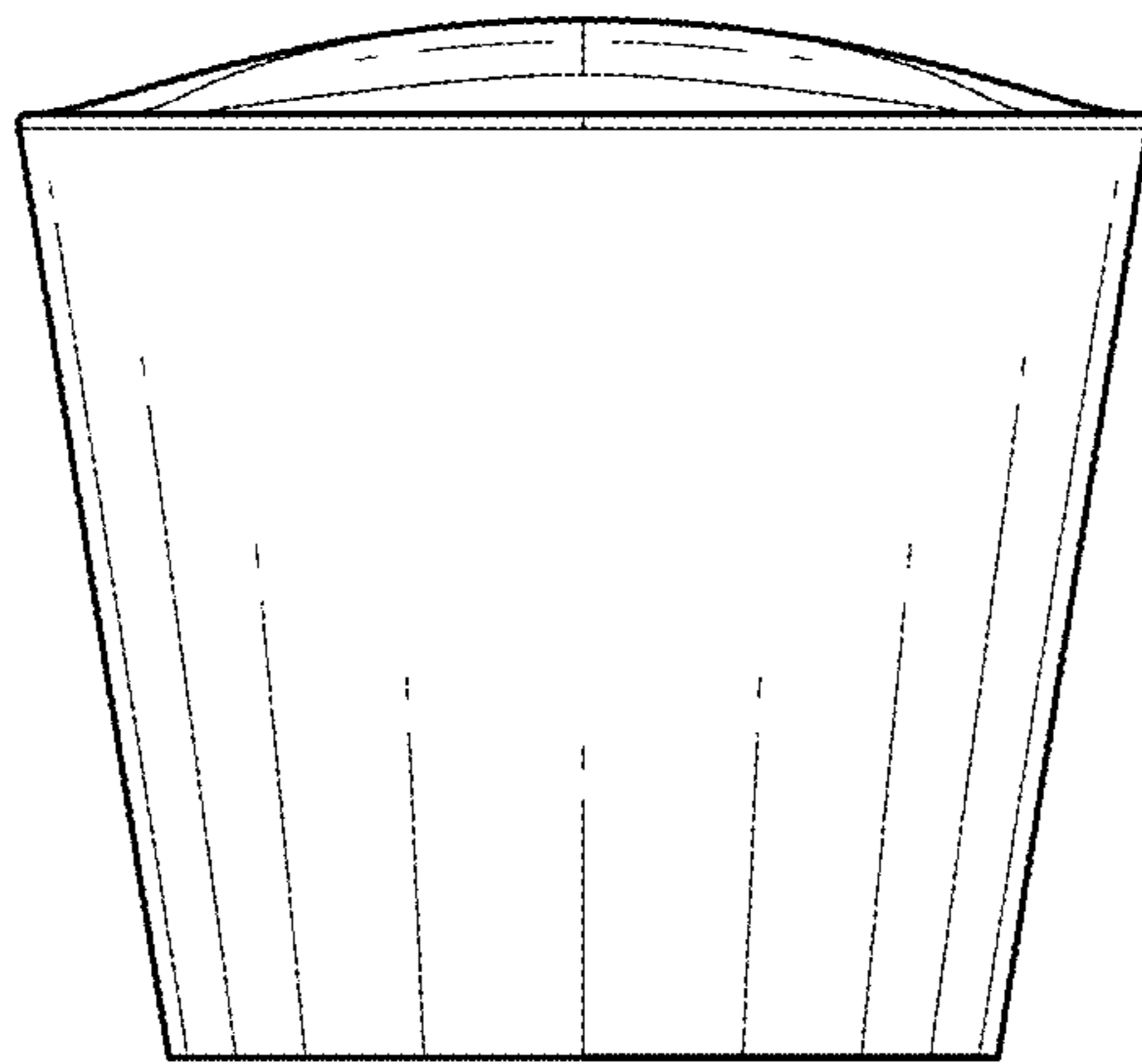


FIG. 6

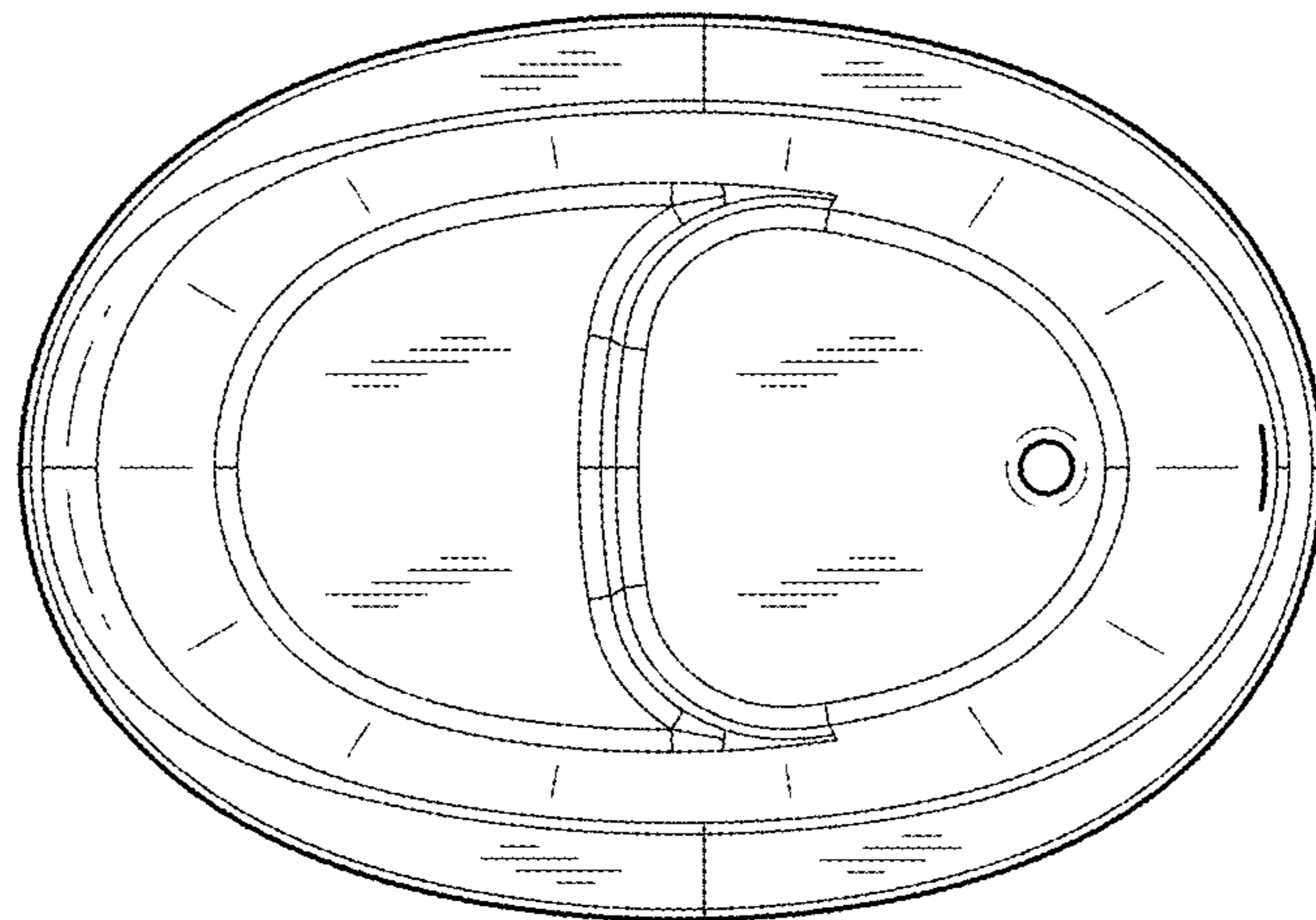


FIG. 7

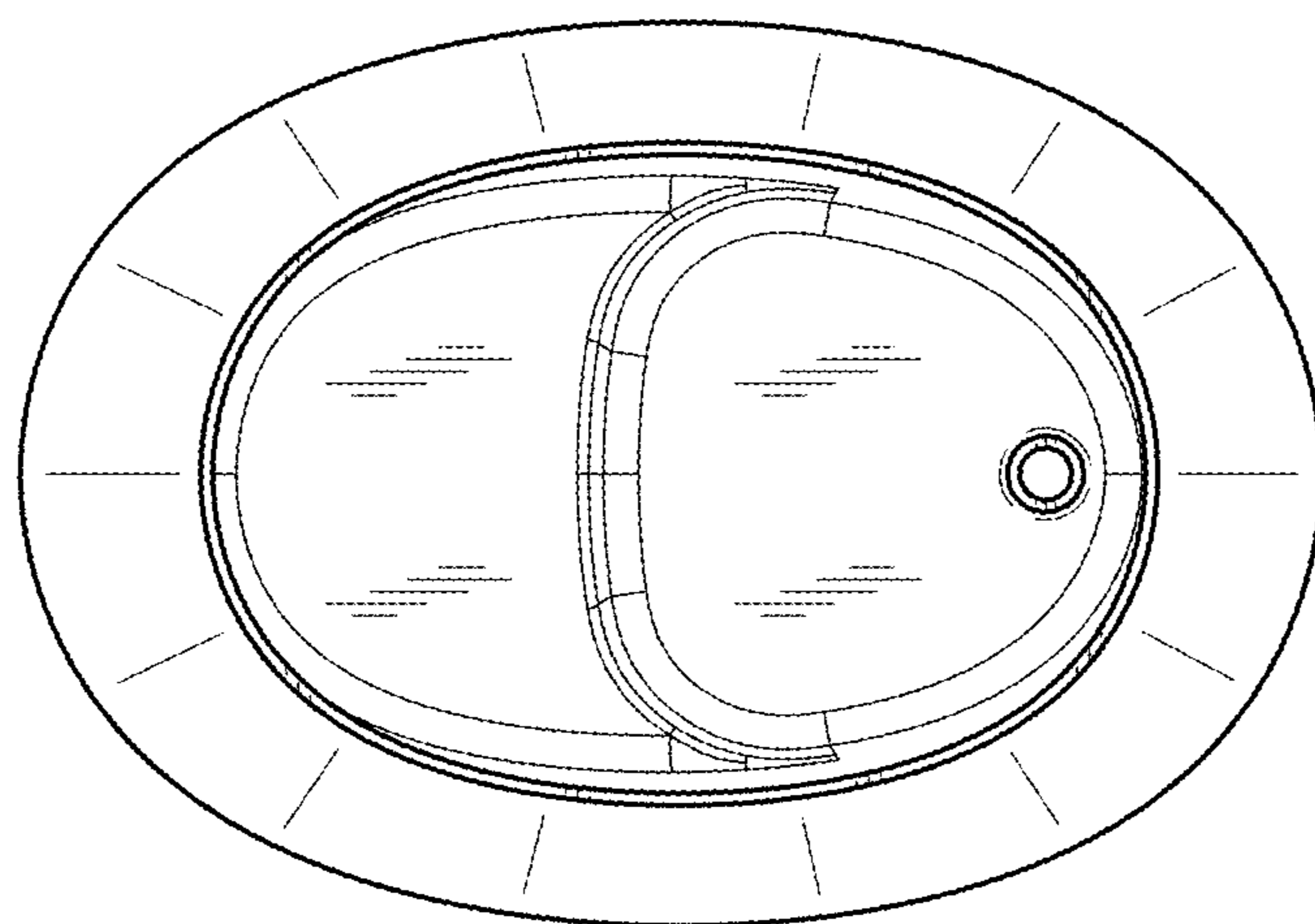


FIG. 8