



US00D825721S

(12) **United States Design Patent**
Penkkimäki

(10) **Patent No.:** **US D825,721 S**
(45) **Date of Patent:** **** Aug. 14, 2018**

(54) **VALVE INSERT**

(71) Applicant: **WD RACING OY**, Siuro (FI)

(72) Inventor: **Pekka Penkkimäki**, Siuro (FI)

(73) Assignee: **WD RACING OY**, Siuro (FI)

(**) Term: **15 Years**

(21) Appl. No.: **29/590,443**

(22) Filed: **Jan. 10, 2017**

(30) **Foreign Application Priority Data**

Jul. 11, 2016 (EM) 003300987-0001

(51) **LOC (11) Cl.** **23-01**

(52) **U.S. Cl.**
USPC **D23/249**

(58) **Field of Classification Search**
USPC D23/233-249; 251/359, 309, 360, 306,
251/314, 324, 363, 331, 335.2; 137/588,
137/315.05, 863, 233
CPC . F16K 1/42; F16K 1/36; F16K 3/0227; F16K
5/0689; F16K 24/04; F16K 15/207; B29D
2030/0617; B29D 2030/0607; B29D
30/0606; B60C 23/0494; B60C 23/0496
See application file for complete search history.

(56) **References Cited**

U.S. PATENT DOCUMENTS

D576,254 S * 9/2008 McBroom D23/233
D690,391 S * 9/2013 Garm D23/233

D750,748 S * 3/2016 Penkkimaki D23/233
D750,749 S * 3/2016 Penkkimaki D23/233
9,702,472 B2 * 7/2017 Burgett F16K 17/06
2009/0053354 A1 * 2/2009 Hajdich B29C 33/10
425/546
2010/0201048 A1 * 8/2010 Penkkimaki B29C 33/10
251/366
2016/0273669 A1 * 9/2016 Burgett F16K 17/06

FOREIGN PATENT DOCUMENTS

DE 195 43 276 C1 2/1997
DE 10 2013 225 28 A1 6/2015
JP 2015-168222 A 9/2015
KR 2003-0001818 A 1/2003

* cited by examiner

Primary Examiner — Cynthia Ramirez

Assistant Examiner — Gino Colan

(74) *Attorney, Agent, or Firm* — Birch, Stewart, Kolasch
& Birch, LLP

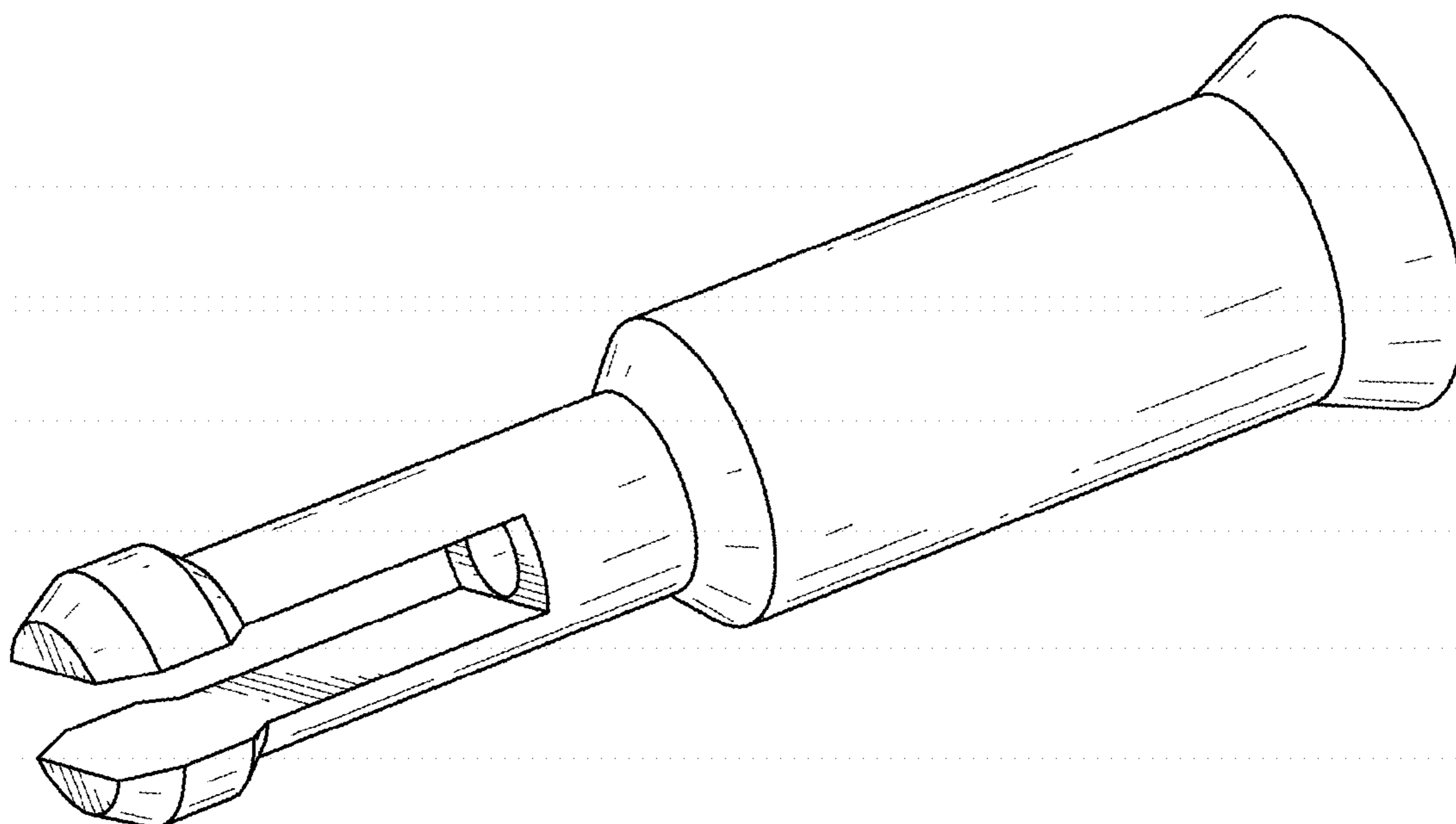
(57) **CLAIM**

The ornamental design for a valve insert, as shown and described.

DESCRIPTION

FIG. 1 is a front perspective view of a valve insert showing my new design;
FIG. 2 is a rear perspective view thereof;
FIG. 3 is a right side elevational view thereof;
FIG. 4 is a left side elevational view thereof;
FIG. 5 is a top plan view thereof; and,
FIG. 6 is bottom plan view thereof.

1 Claim, 3 Drawing Sheets



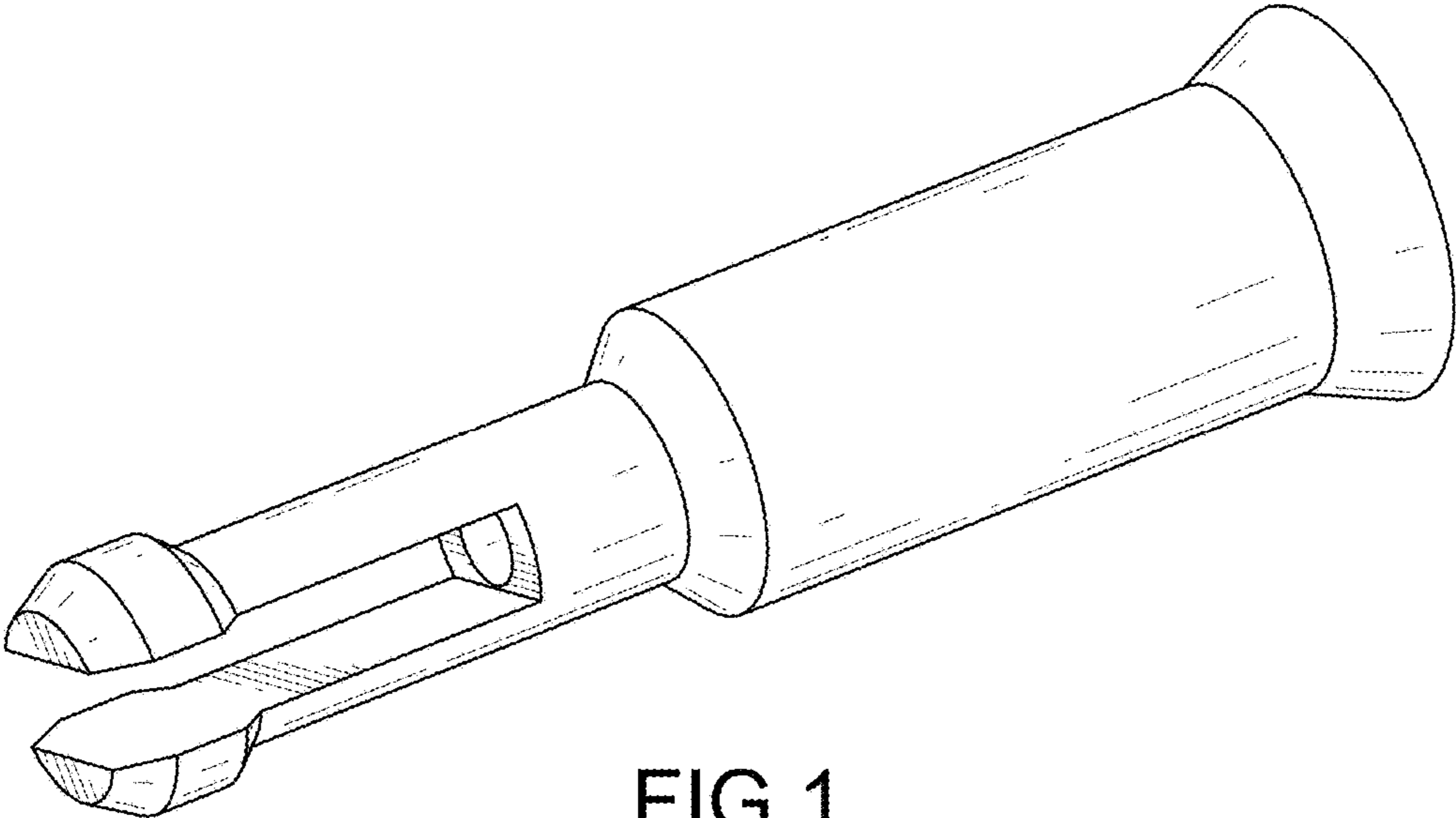


FIG.1

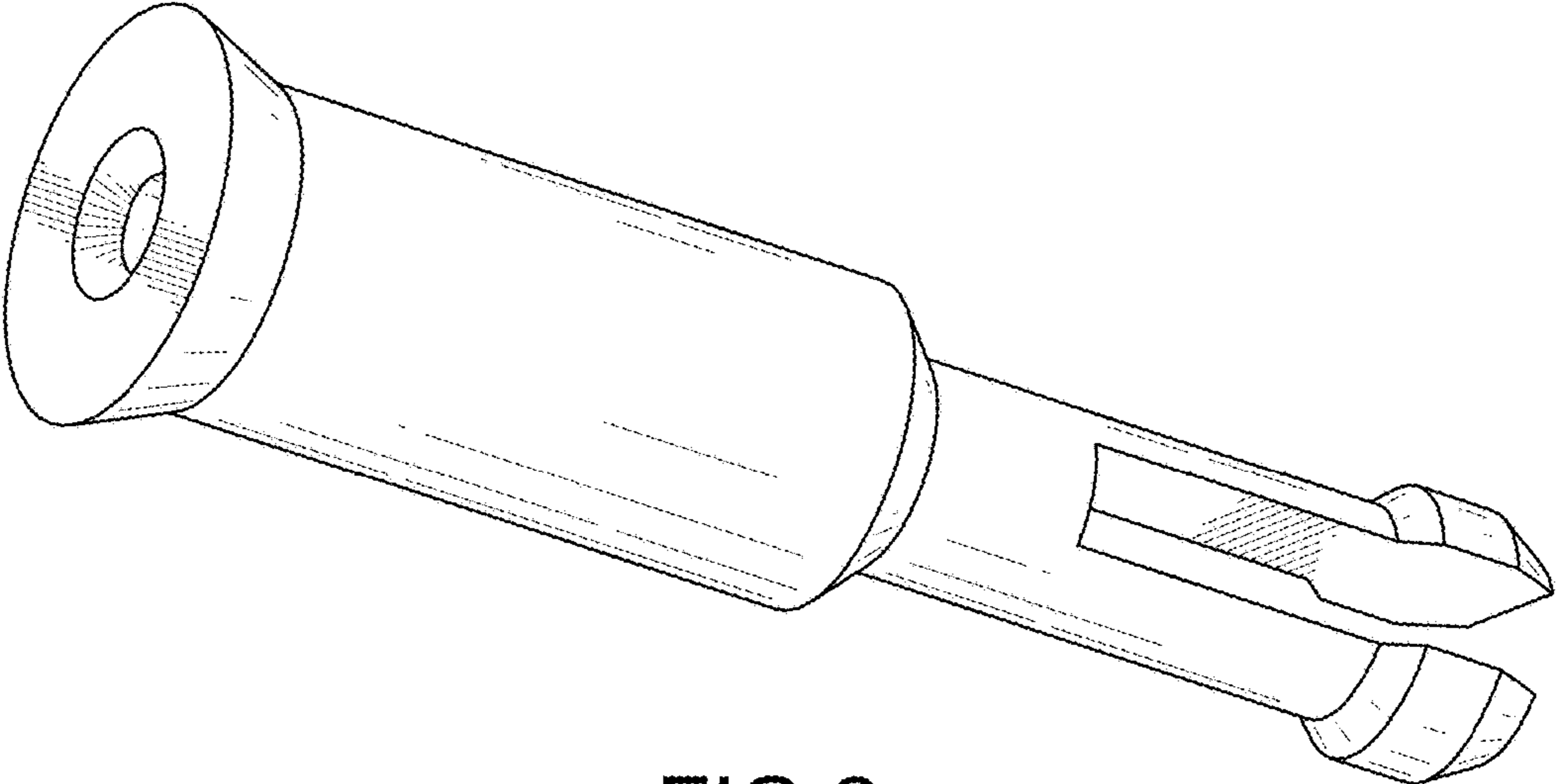


FIG.2

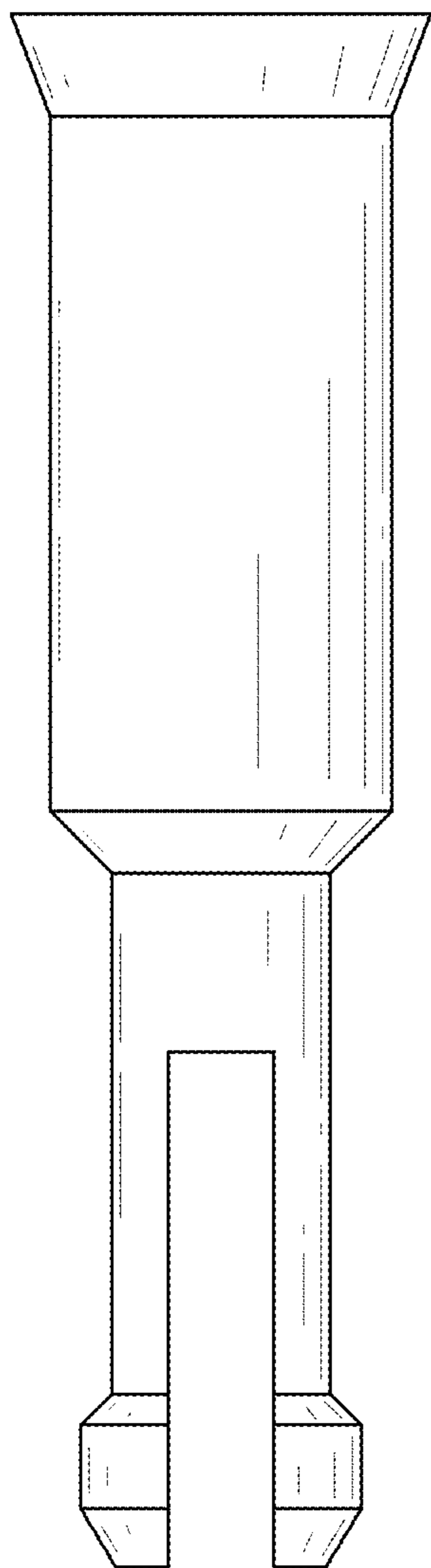


FIG. 3

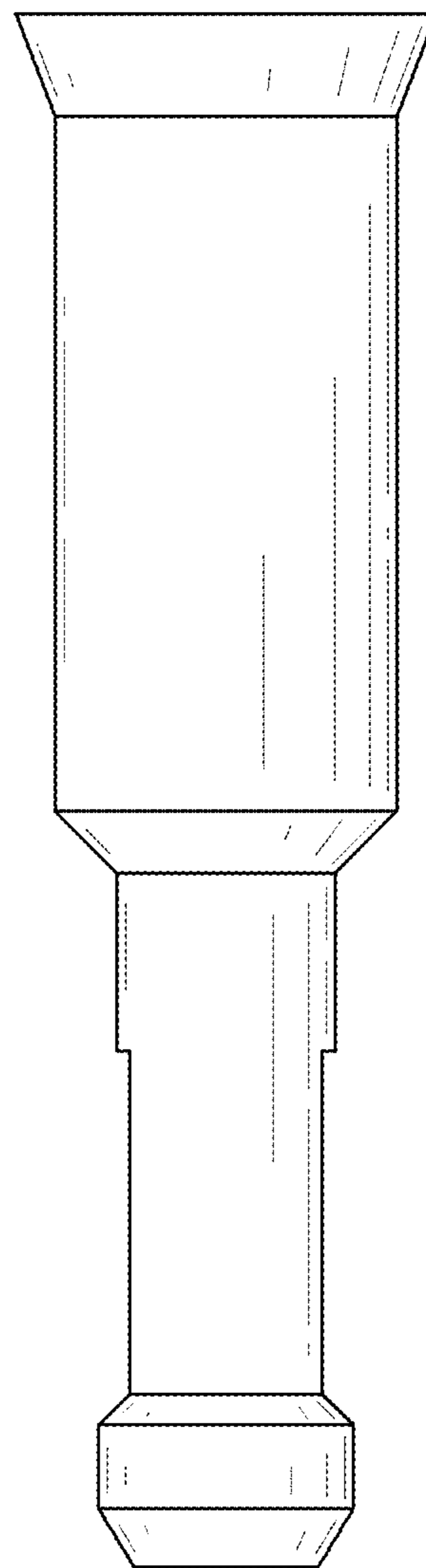


FIG. 4

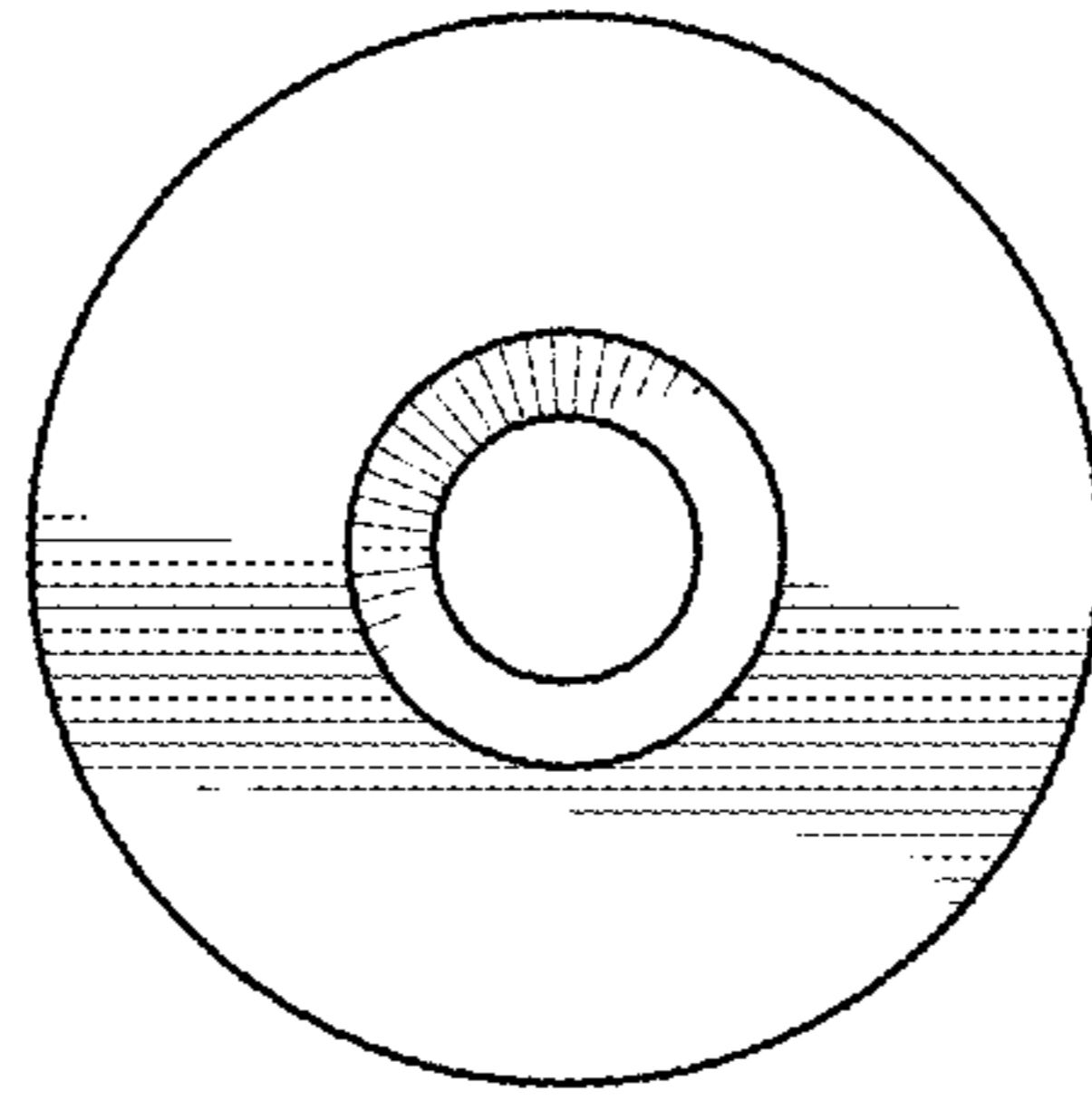


FIG. 5

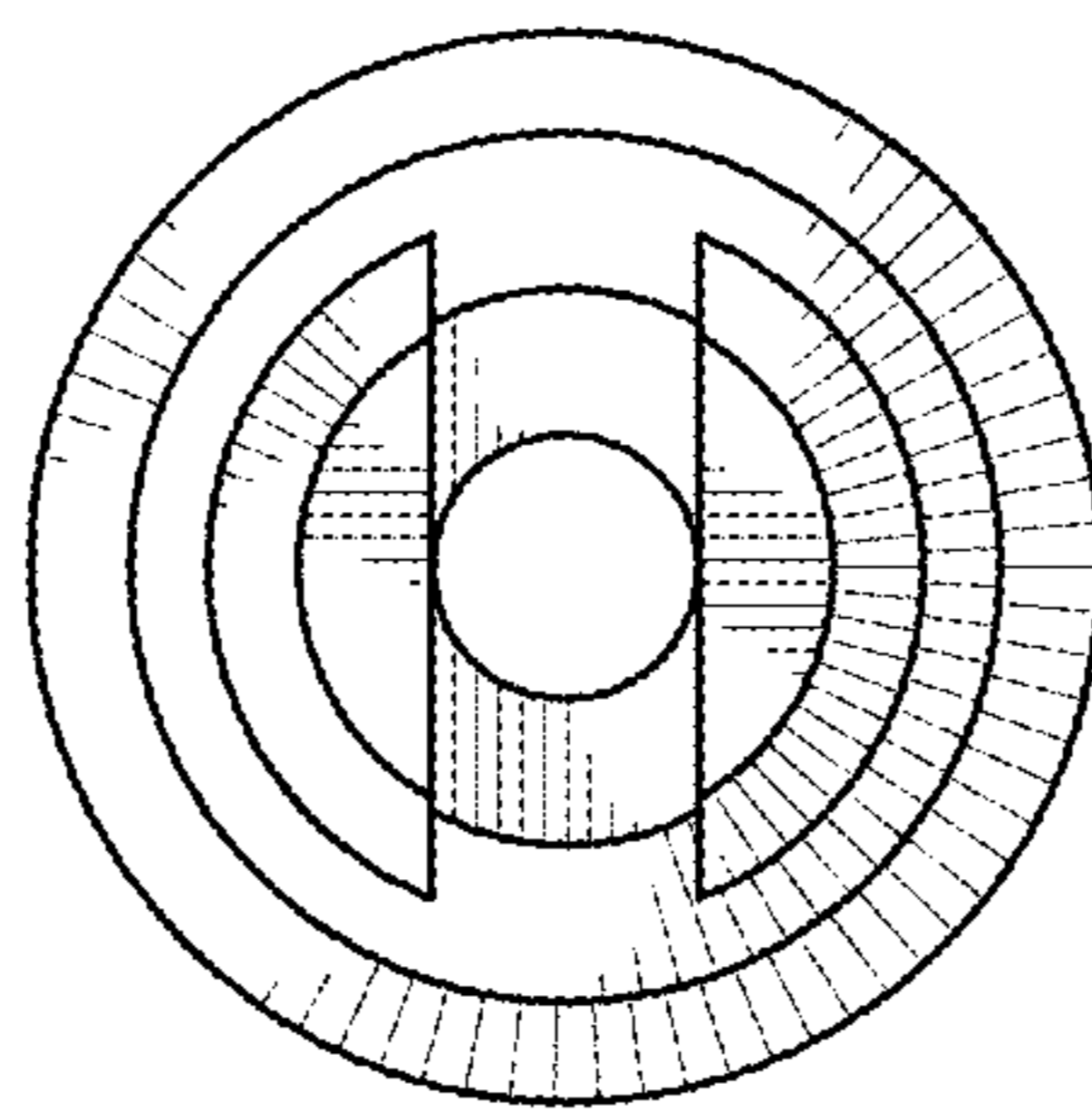


FIG. 6