



US00D825716S

(12) **United States Design Patent**  
**Helmsderfer et al.**

(10) **Patent No.:** **US D825,716 S**  
(45) **Date of Patent:** **\*\* Aug. 14, 2018**

(54) **SPRINKLER WITH FOLD-OUT LEGS**

FOREIGN PATENT DOCUMENTS

(71) Applicants: **John A. Helmsderfer**, Cincinnati, OH (US); **Nathan Maggard**, Cincinnati, OH (US)

EP 0826427 A2 3/1998  
WO 2011/075660 A1 6/2011

(72) Inventors: **John A. Helmsderfer**, Cincinnati, OH (US); **Nathan Maggard**, Cincinnati, OH (US)

OTHER PUBLICATIONS

Eighteen-page International Search Report and Written Opinion dated Feb. 14, 2011 for PCT/US2010/061063.

(73) Assignee: **Partners In Innovation Limited, LLC**, Cincinnati, OH (US)

*Primary Examiner* — Robin V Webster

(74) *Attorney, Agent, or Firm* — Wood Herron & Evans LLP

(\*\*) Term: **15 Years**

(57) **CLAIM**

The ornamental design for a sprinkler with fold-out legs, as shown and described.

(21) Appl. No.: **29/602,785**

(22) Filed: **May 3, 2017**

**DESCRIPTION**

(51) **LOC (11) Cl.** ..... **23-01**

(52) **U.S. Cl.**  
USPC ..... **D23/223; D23/214**

(58) **Field of Classification Search**  
USPC ..... D23/213, 214, 223, 226; D8/2; 239/532, 239/273

CPC ..... B05B 15/061; B05B 1/00; B05B 5/00; B05B 1/005; B05B 3/00; B05B 9/01; B05B 7/1209; B05B 15/066  
See application file for complete search history.

FIG. 1 is a front perspective view of a nozzle according to a first configuration of the present invention;  
FIG. 2 is a left side view therefore;  
FIG. 3 is a right side view therefore;  
FIG. 4 is front view therefore;  
FIG. 5 is a rear view therefore;  
FIG. 6 is a top view therefore;  
FIG. 7 is a bottom view therefore;  
FIG. 8 is a front perspective view of a nozzle according to a second configuration of the present invention;  
FIG. 9 is a rear bottom perspective view therefore;  
FIG. 10 is a left side view therefore;  
FIG. 11 is a right side view therefore;  
FIG. 12 is front view therefore;  
FIG. 13 is a rear view therefore;  
FIG. 14 is a top view therefore; and,  
FIG. 15 is a bottom view therefore.

Any elements shown in broken lines in the figures form no part of the claimed invention, but are instead included to show environmental aspects of the claimed invention. Also, the broken lines shown adjacent to any shaded portions form an unclaimed boundary of the design.

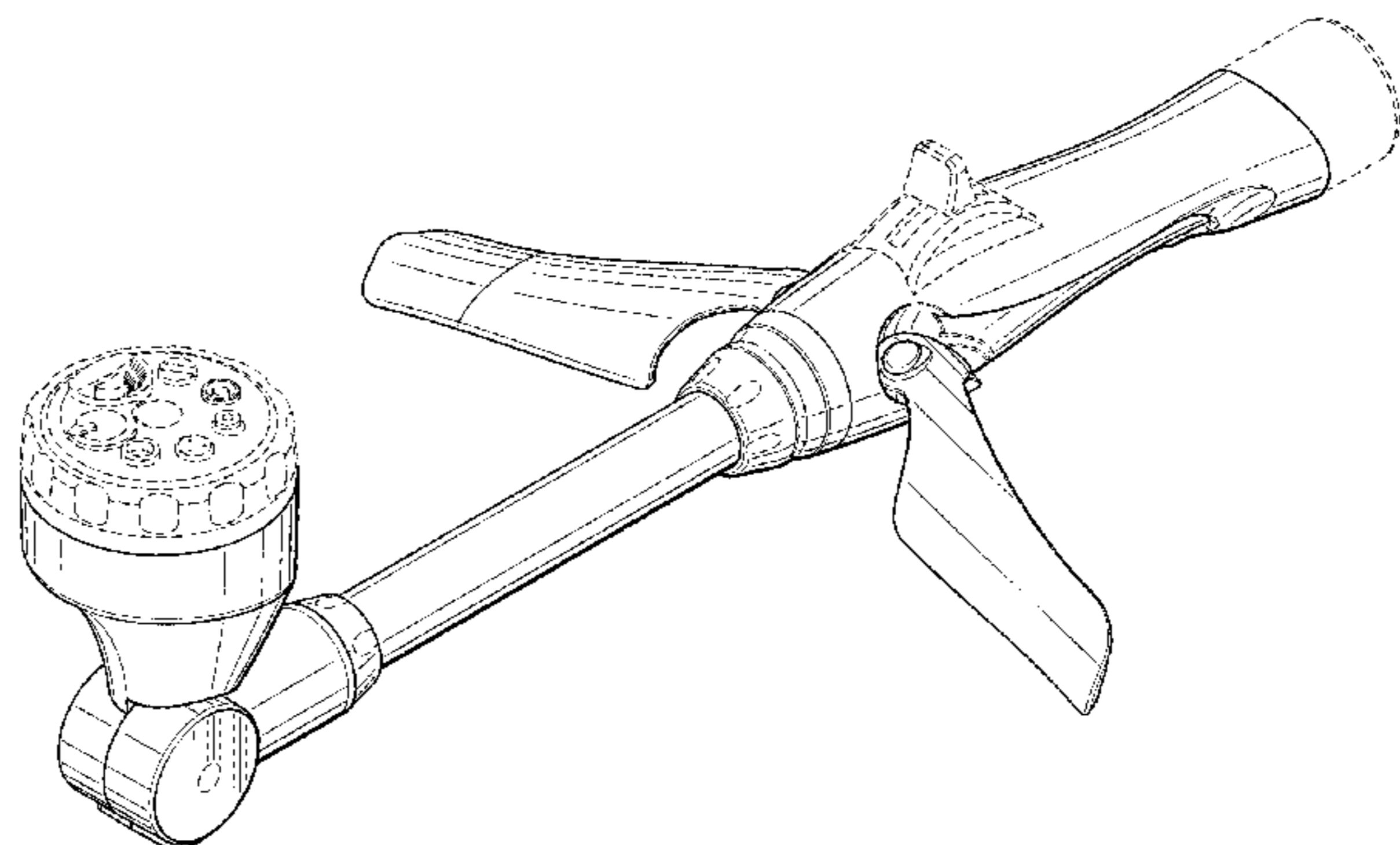
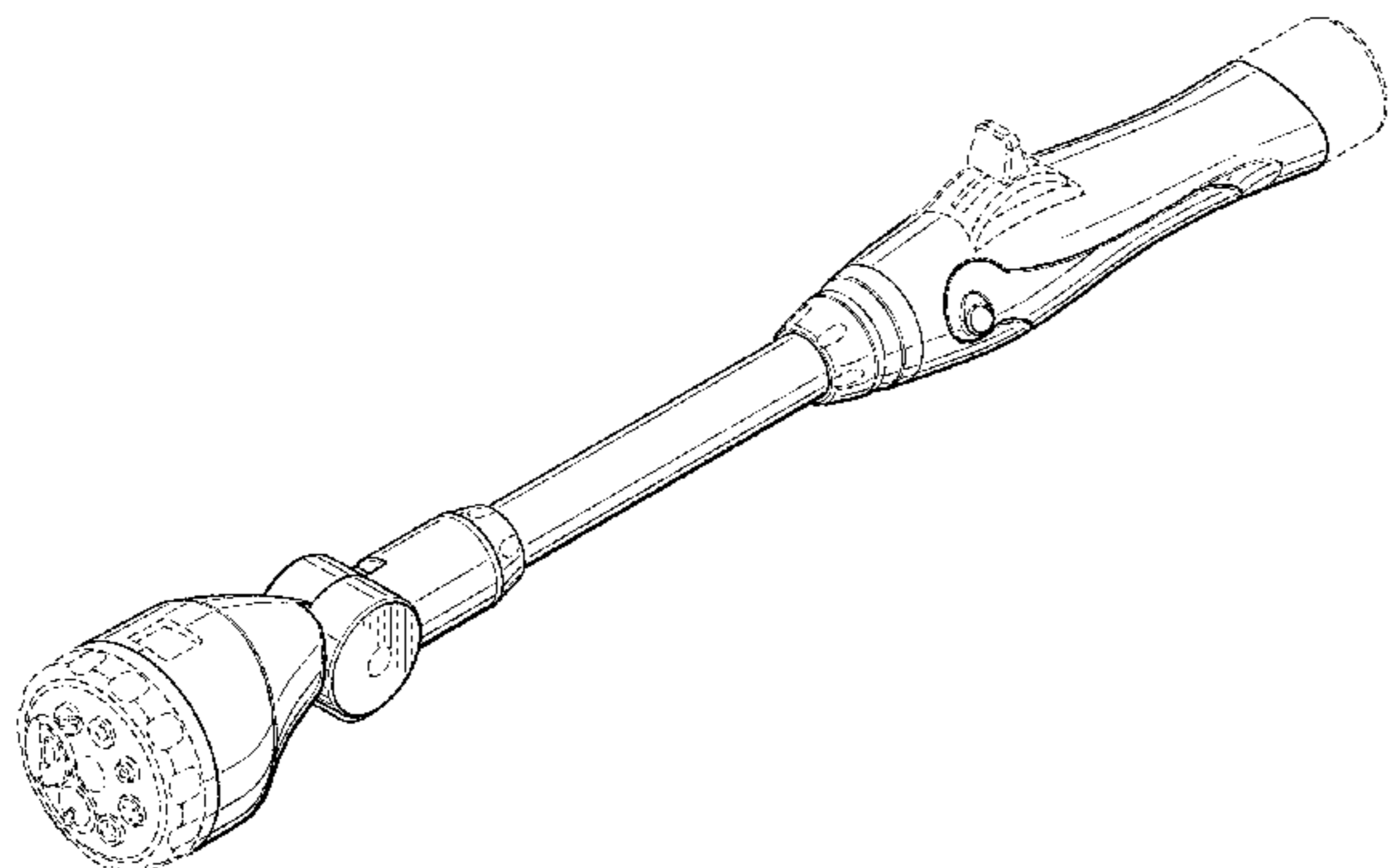
(56) **References Cited**

U.S. PATENT DOCUMENTS

924,519	A	6/1909	Wooding
941,109	A	11/1909	Sutherland
1,007,657	A	10/1911	Freund
1,026,742	A	5/1912	French
1,031,176	A	7/1912	Gilpin
1,058,189	A	4/1913	Moboyle
1,078,817	A	11/1913	Austin
1,168,219	A	1/1916	Miller
1,566,232	A	12/1925	Schreiter
1,612,326	A	12/1926	Taylor

(Continued)

**1 Claim, 10 Drawing Sheets**



(56)

References Cited

U.S. PATENT DOCUMENTS

2,053,931 A 9/1936 Work  
 2,620,232 A 12/1952 King  
 2,770,826 A 11/1956 Curfman  
 3,115,305 A 12/1963 Rinkcwich  
 3,332,624 A 7/1967 Rinkcwich  
 3,354,730 A 11/1967 Thompson  
 3,630,450 A 12/1971 Stephany et al.  
 4,130,135 A 12/1978 Moore  
 4,347,981 A 9/1982 Hayes  
 4,421,276 A 12/1983 Rodgers  
 4,708,291 A 11/1987 Grundy  
 4,903,897 A 2/1990 Hayes  
 D324,562 S \* 3/1992 Heitz ..... D23/213  
 D327,943 S \* 7/1992 Tsai ..... D23/213  
 5,160,093 A 11/1992 Battaglia  
 5,174,501 A 12/1992 Hadar  
 5,305,956 A 4/1994 Wang  
 D355,476 S 2/1995 Schon  
 D358,195 S \* 5/1995 Tsai ..... D23/213  
 5,947,388 A 9/1999 Woodruff  
 D421,639 S 3/2000 Clivio  
 D426,867 S 6/2000 Wang  
 6,123,272 A 9/2000 Havican et al.  
 6,264,121 B1 7/2001 McClary  
 6,390,391 B1 5/2002 Ulin  
 6,398,185 B1 6/2002 Wang  
 6,554,209 B2 4/2003 Djordjevic  
 6,619,570 B1 9/2003 Ericksen et al.  
 6,663,022 B1 12/2003 Baker  
 6,712,294 B1 3/2004 Wang

7,014,128 B2 3/2006 Leung  
 7,028,984 B2 4/2006 Wang  
 7,140,561 B2 11/2006 Heren et al.  
 D536,062 S 1/2007 Hester  
 7,252,246 B2 8/2007 Heren et al.  
 D557,377 S \* 12/2007 Chen ..... D23/223  
 7,448,558 B2 11/2008 Wang  
 D606,626 S \* 12/2009 Zore ..... D23/226  
 D607,971 S 1/2010 Barnard et al.  
 D608,412 S 1/2010 Barnard et al.  
 D608,413 S 1/2010 Barnard et al.  
 7,708,210 B2 5/2010 Griffen  
 D628,271 S \* 11/2010 Carpanese ..... D23/213  
 7,866,576 B1 1/2011 Farley  
 D636,058 S \* 4/2011 Hung ..... D23/223  
 D657,018 S \* 4/2012 Chen ..... D23/226  
 D668,320 S 10/2012 Weihreter  
 D682,988 S \* 5/2013 Hobbs ..... D23/223  
 D689,591 S 9/2013 Ovans et al.  
 D689,592 S 9/2013 Ovans et al.  
 D700,275 S 2/2014 Ovans et al.  
 D768,818 S \* 10/2016 Chen ..... D23/223  
 D780,289 S \* 2/2017 Naslund ..... D23/223  
 D780,290 S \* 2/2017 Naslund ..... D23/223  
 9,724,708 B2 \* 8/2017 Helmsderfer ..... B05B 1/02  
 D807,990 S \* 1/2018 Naslund ..... B05B 1/02  
 D23/223  
 2004/0222320 A1 11/2004 Wu  
 2006/0214023 A1 9/2006 Collins et al.  
 2007/0290071 A1 12/2007 Wang et al.  
 2012/0126027 A1 5/2012 Helmsderfer et al.  
 2012/0223153 A1 9/2012 Helmsderfer et al.  
 2013/0037624 A1 2/2013 Helmsderfer et al.

\* cited by examiner

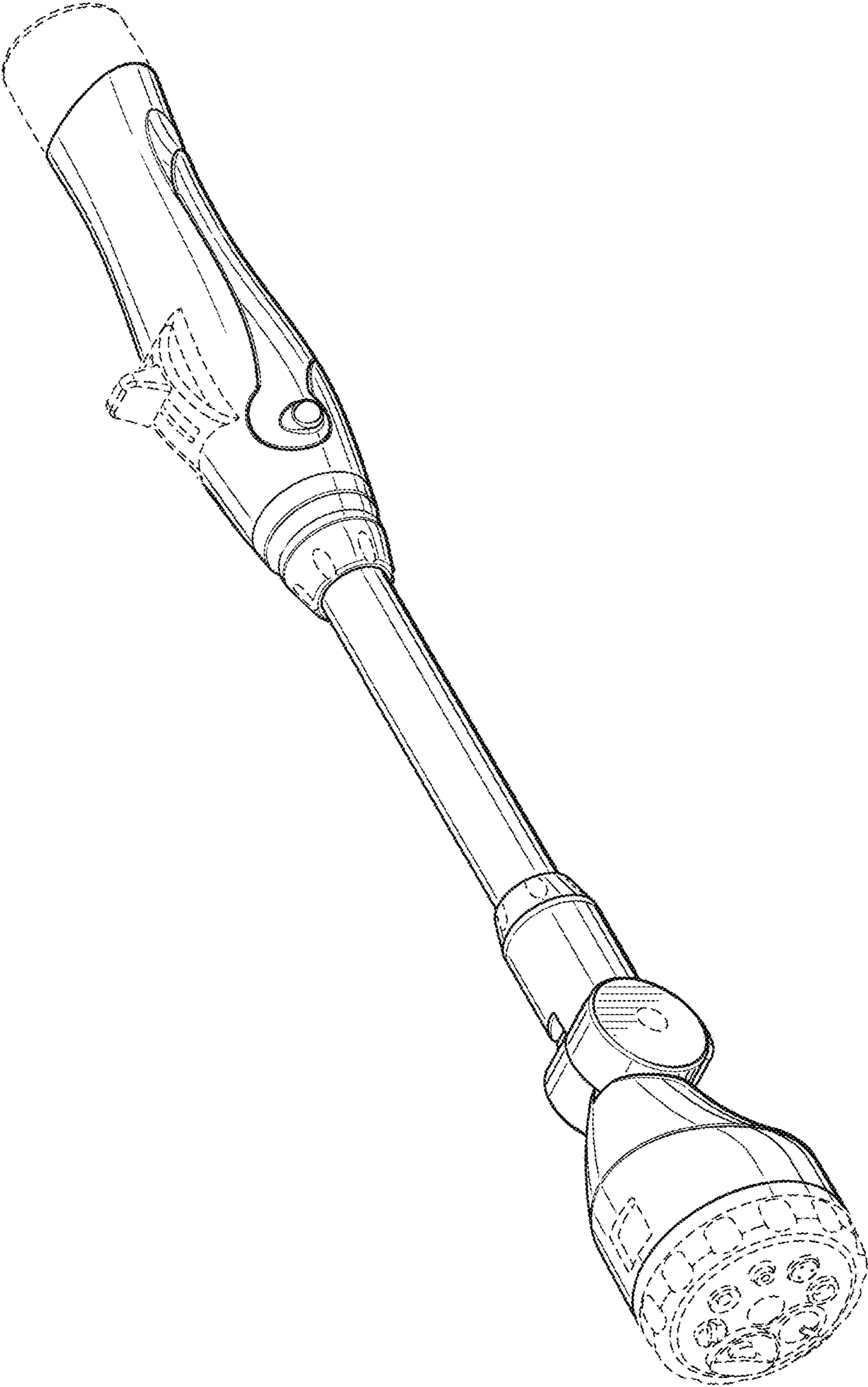


FIG. 1

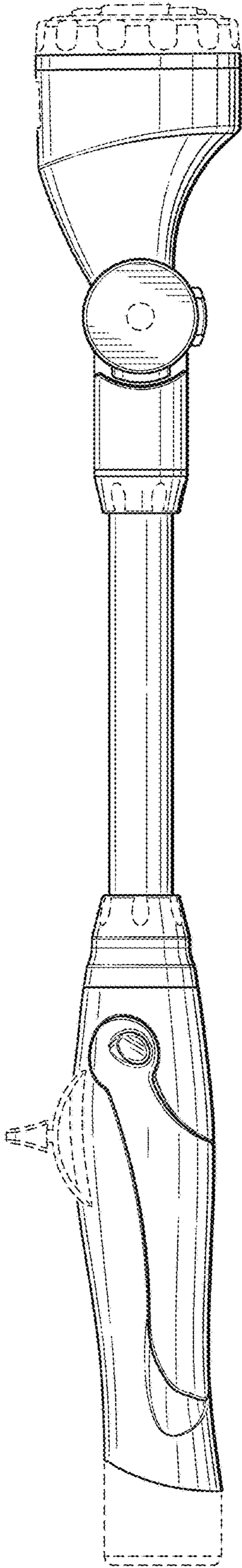


FIG. 2

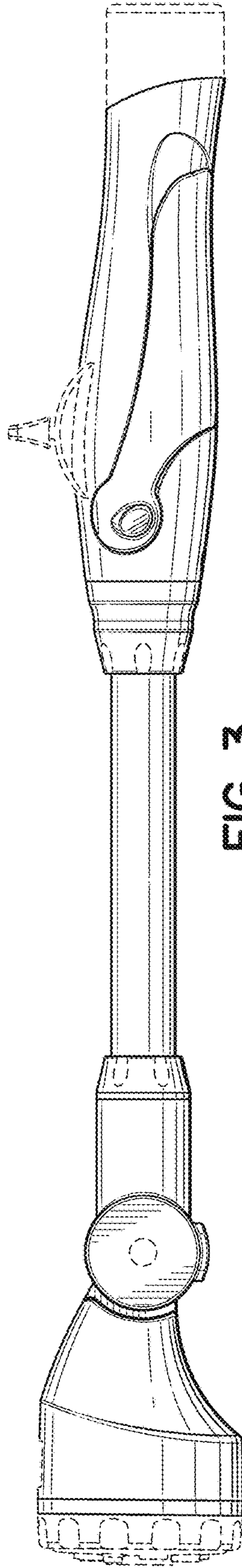


FIG. 3

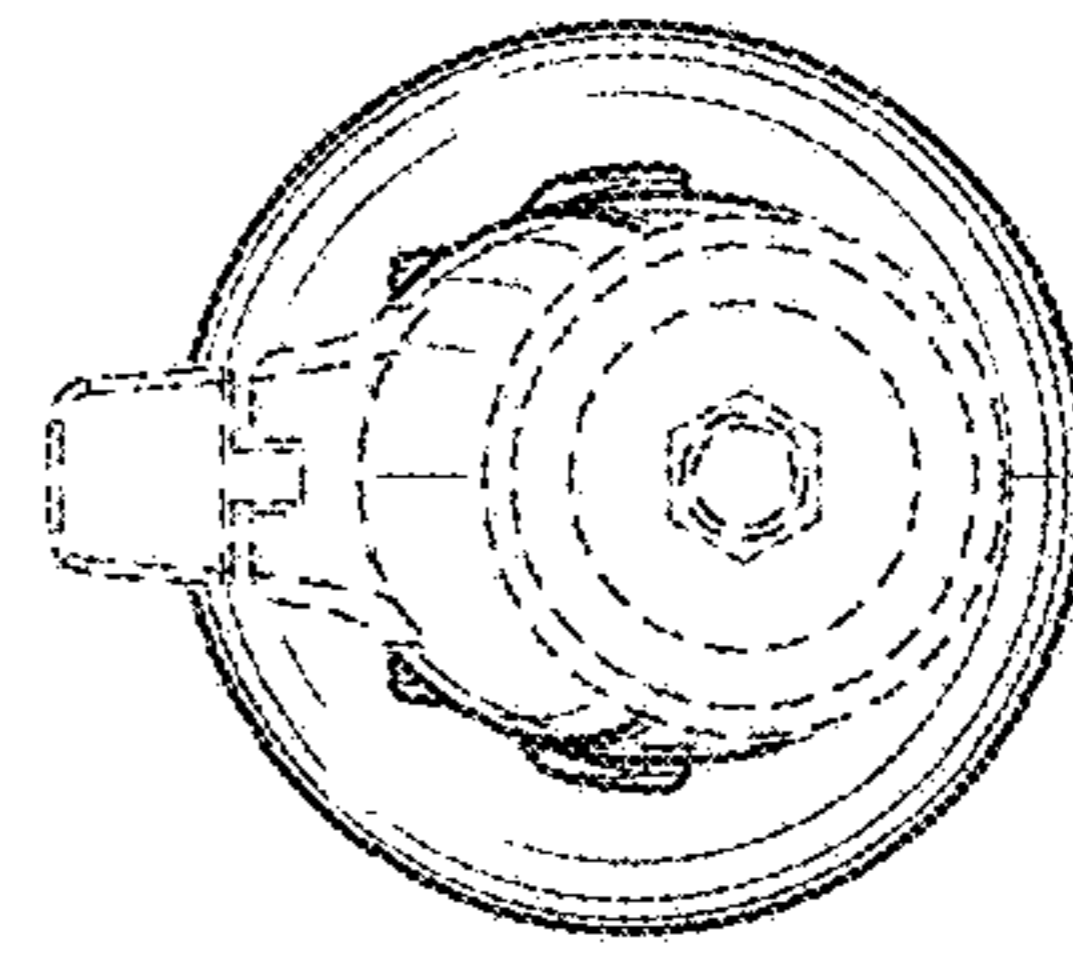


FIG. 5

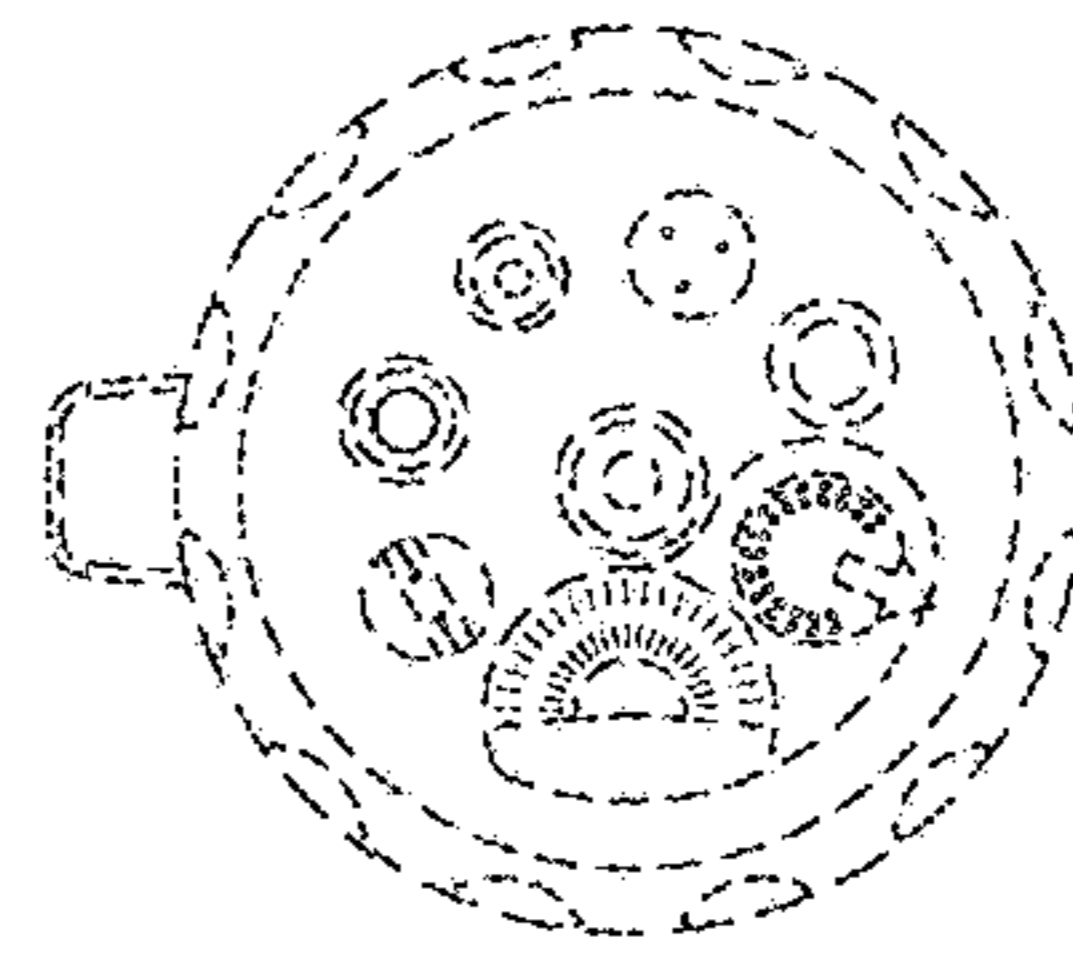


FIG. 4

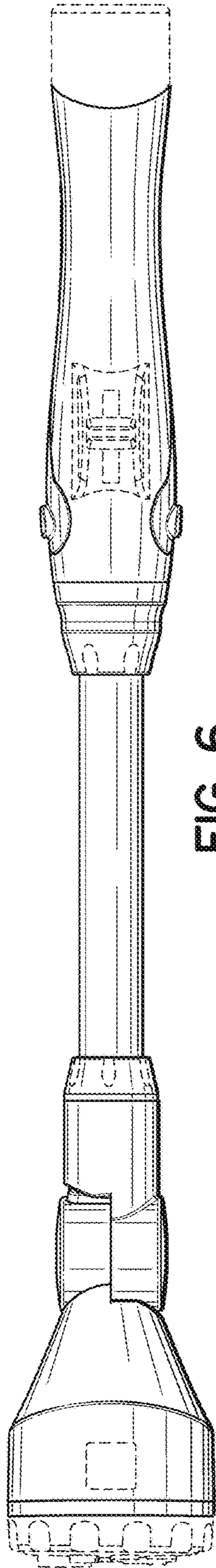


FIG. 6

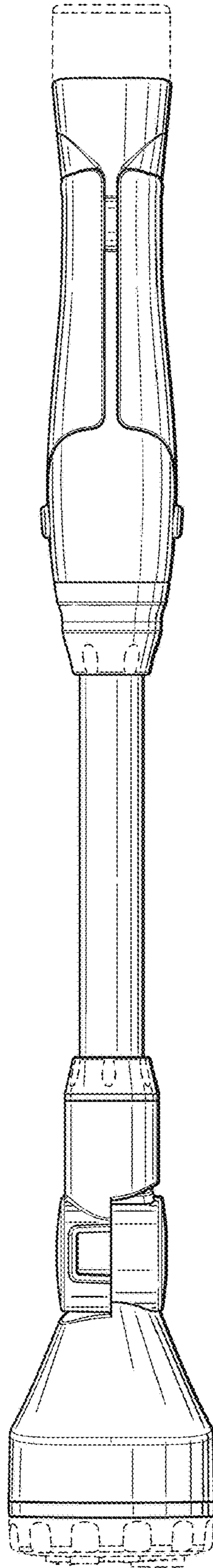


FIG. 7

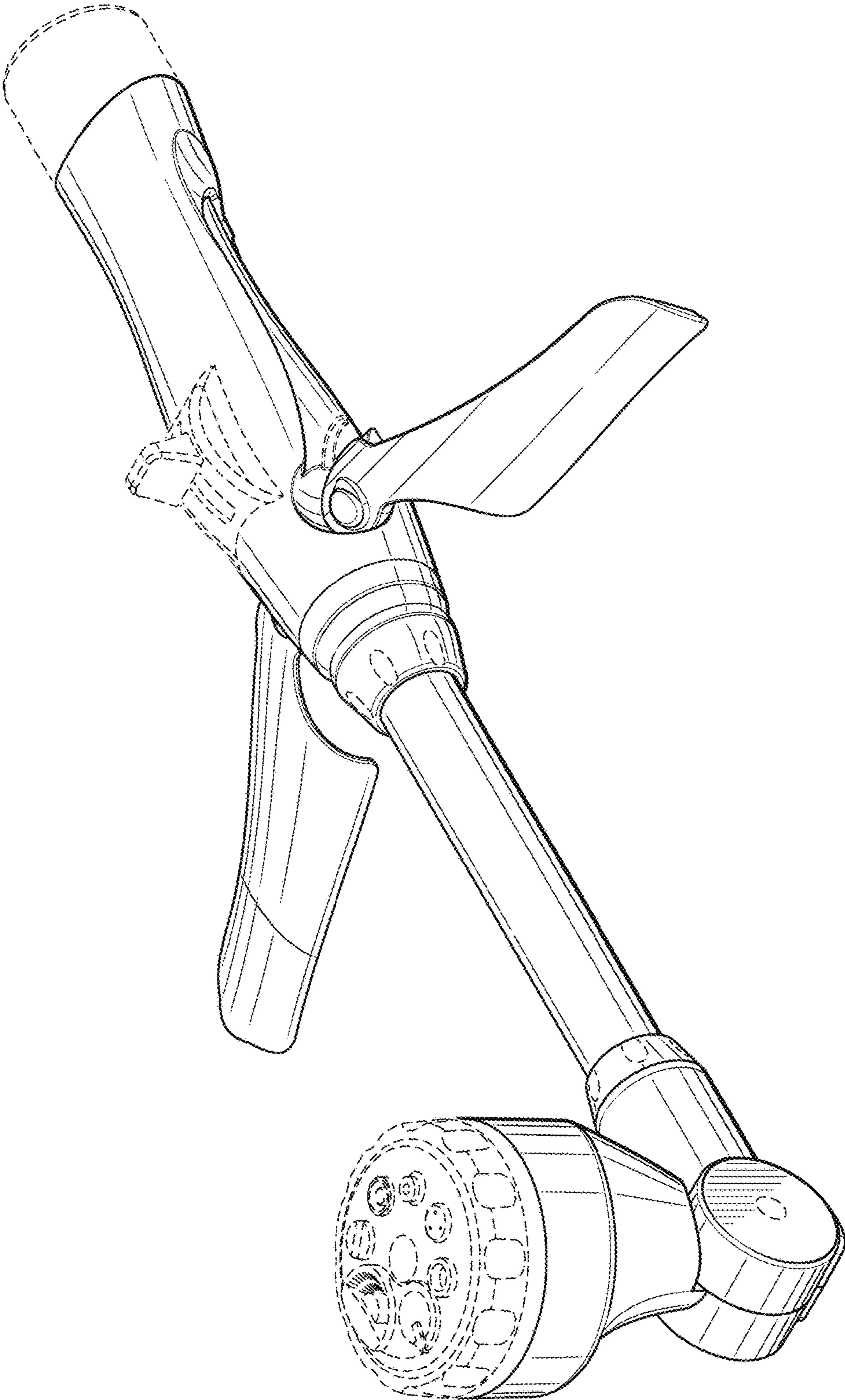


FIG. 8

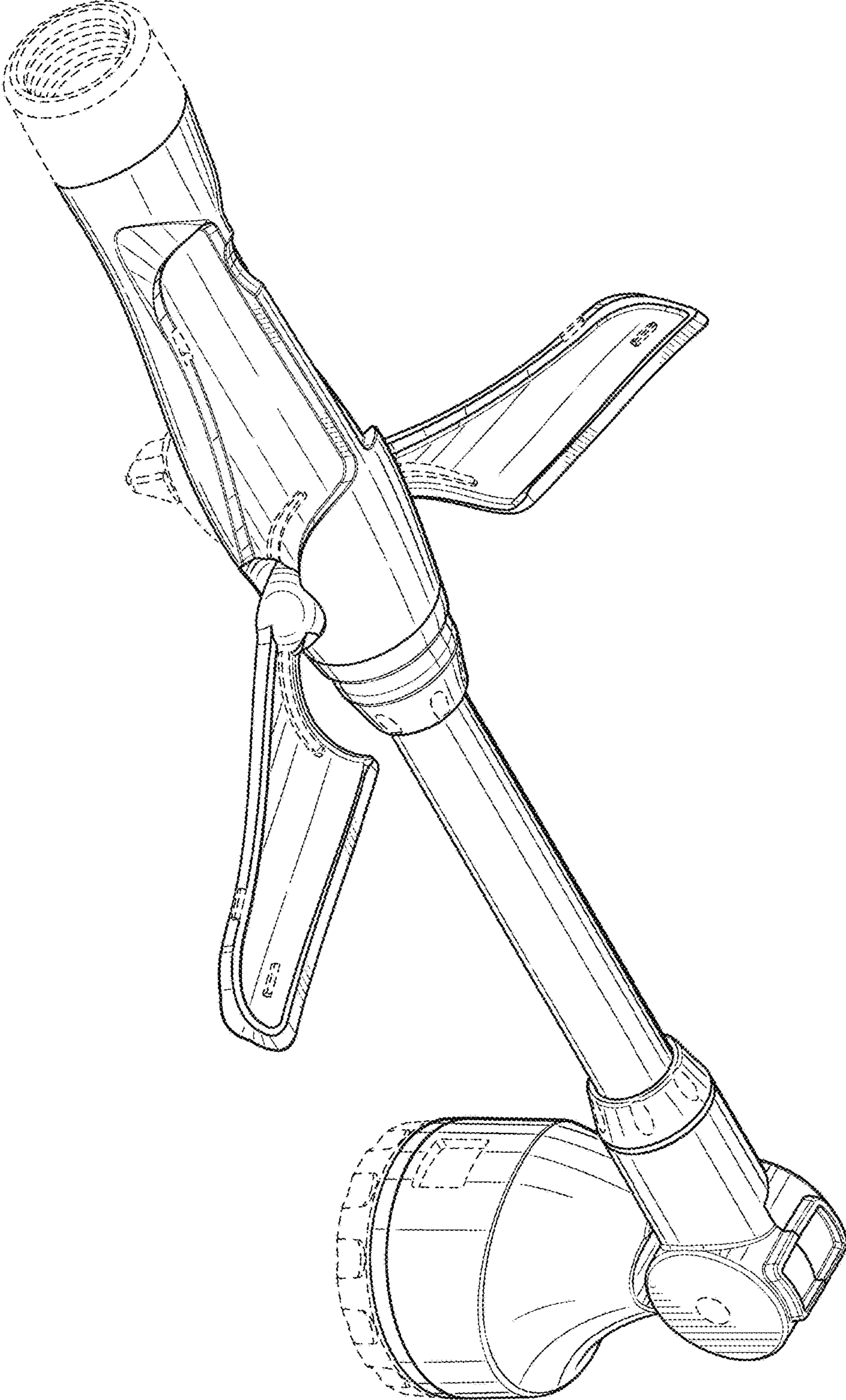


FIG. 9

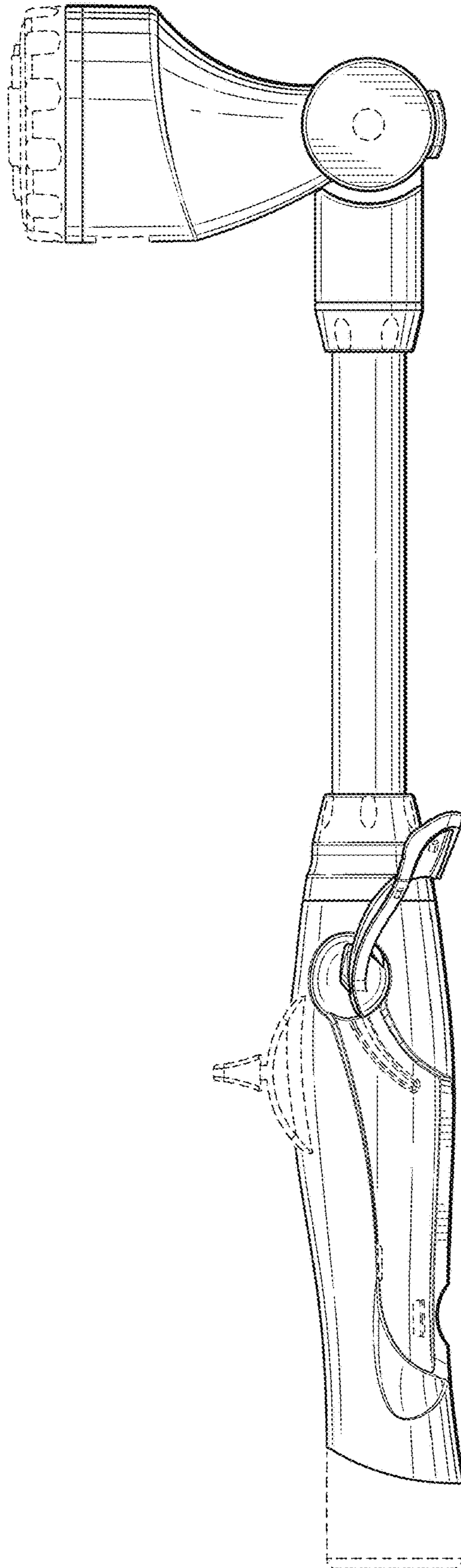


FIG. 10



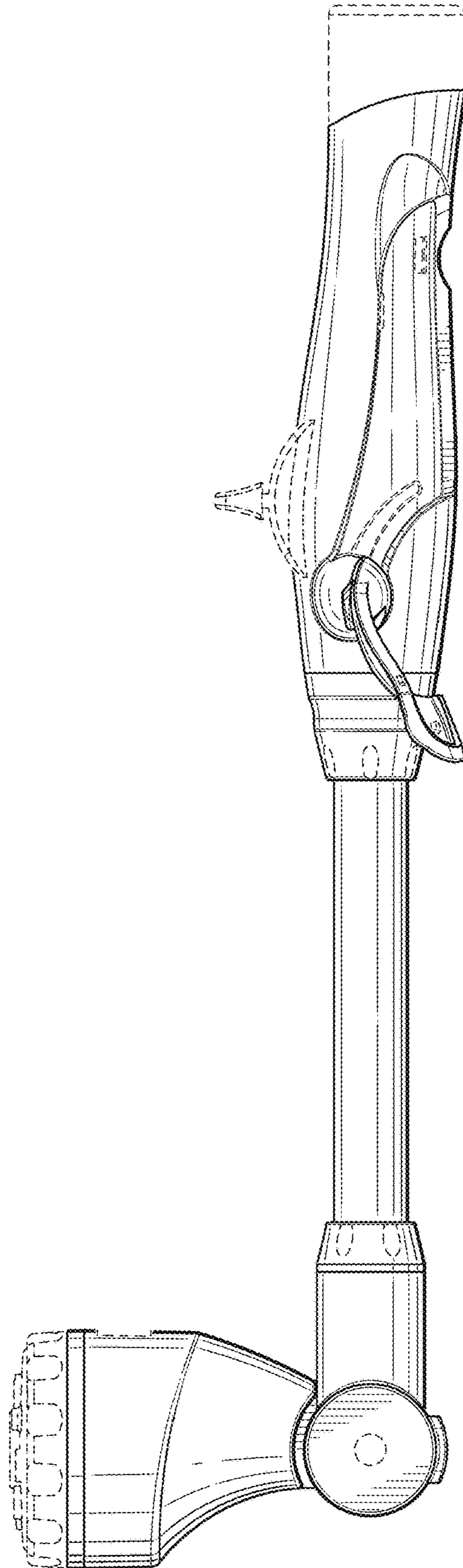


FIG. 11

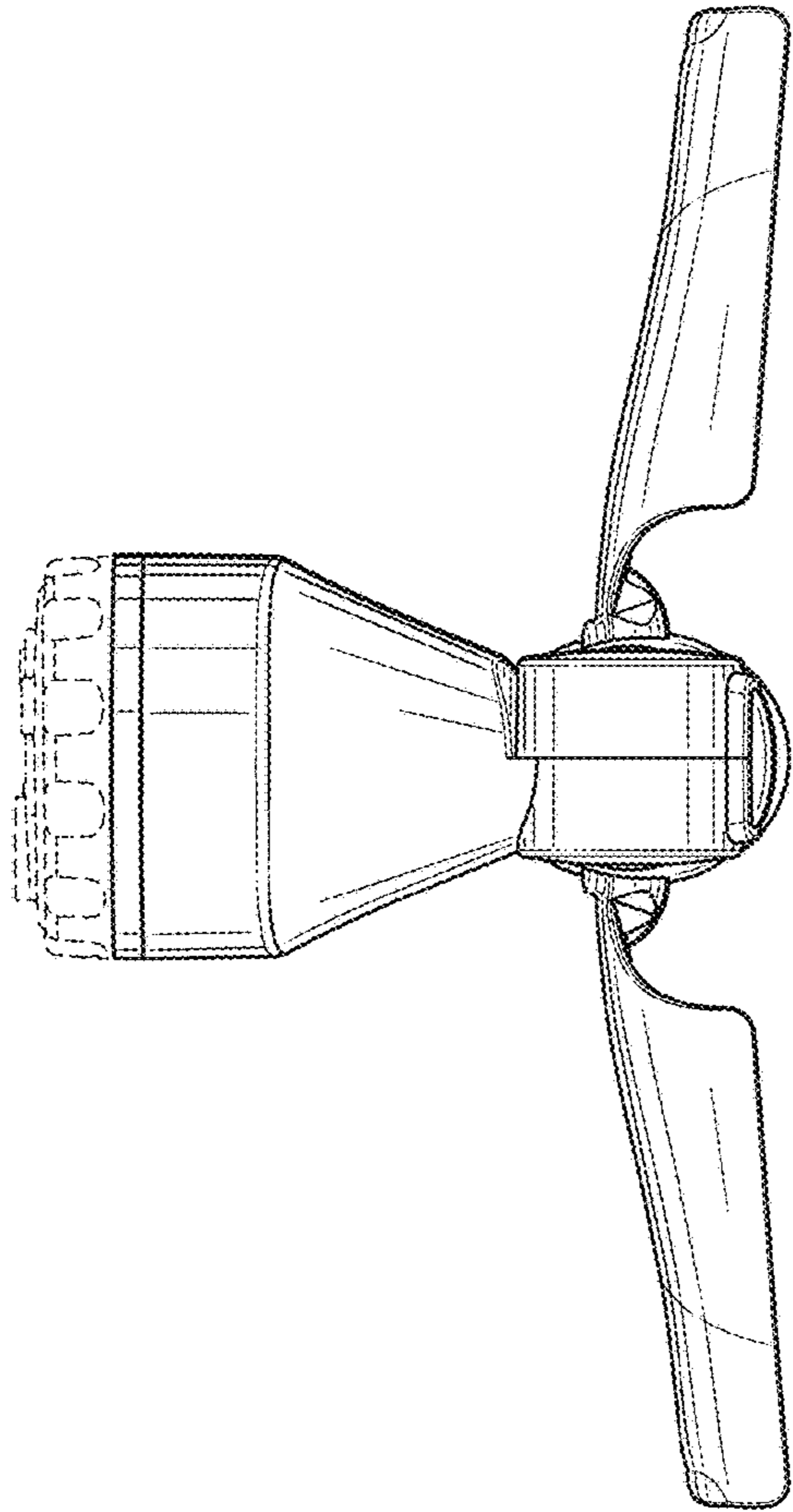


FIG. 12

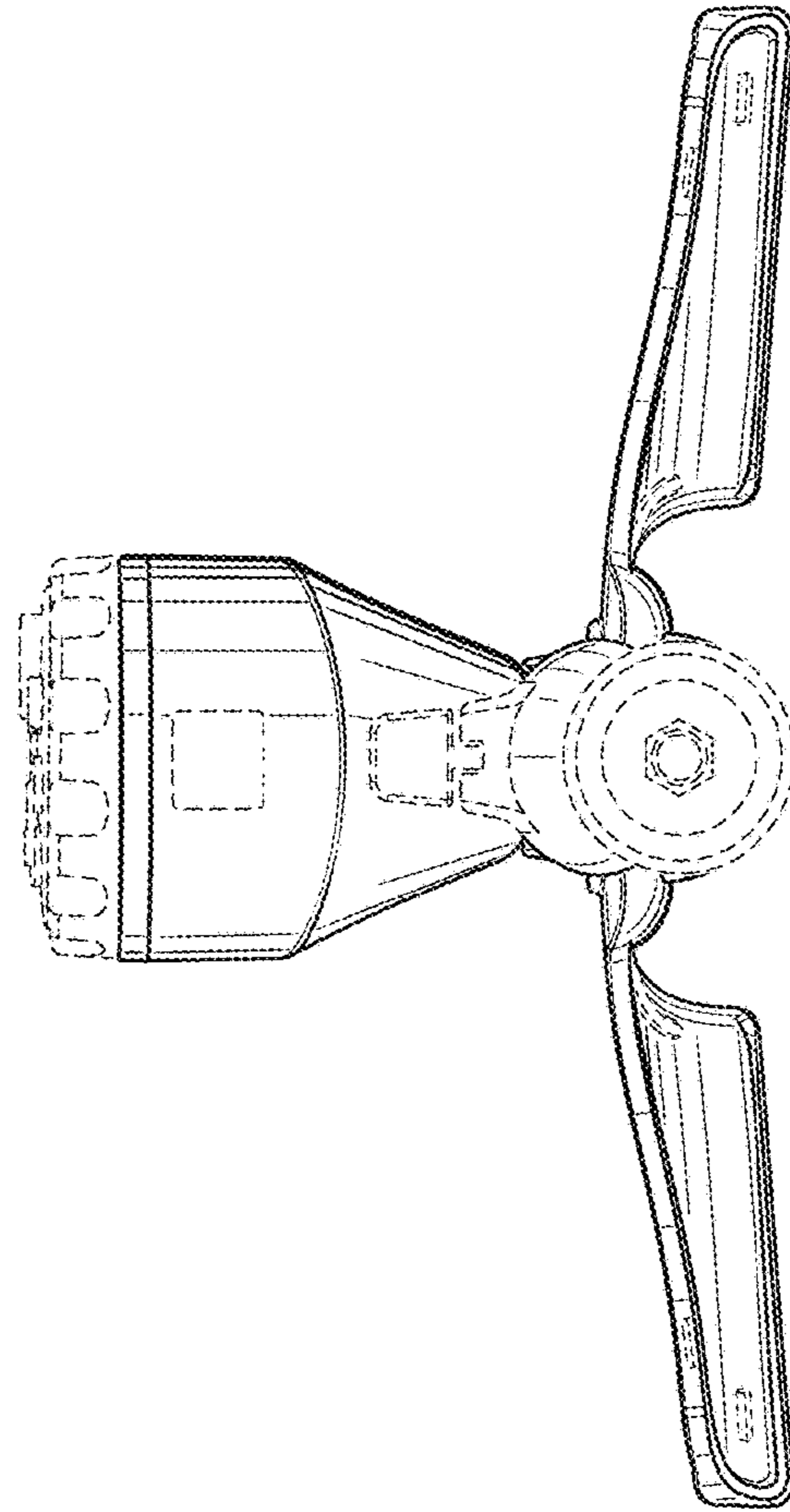


FIG. 13

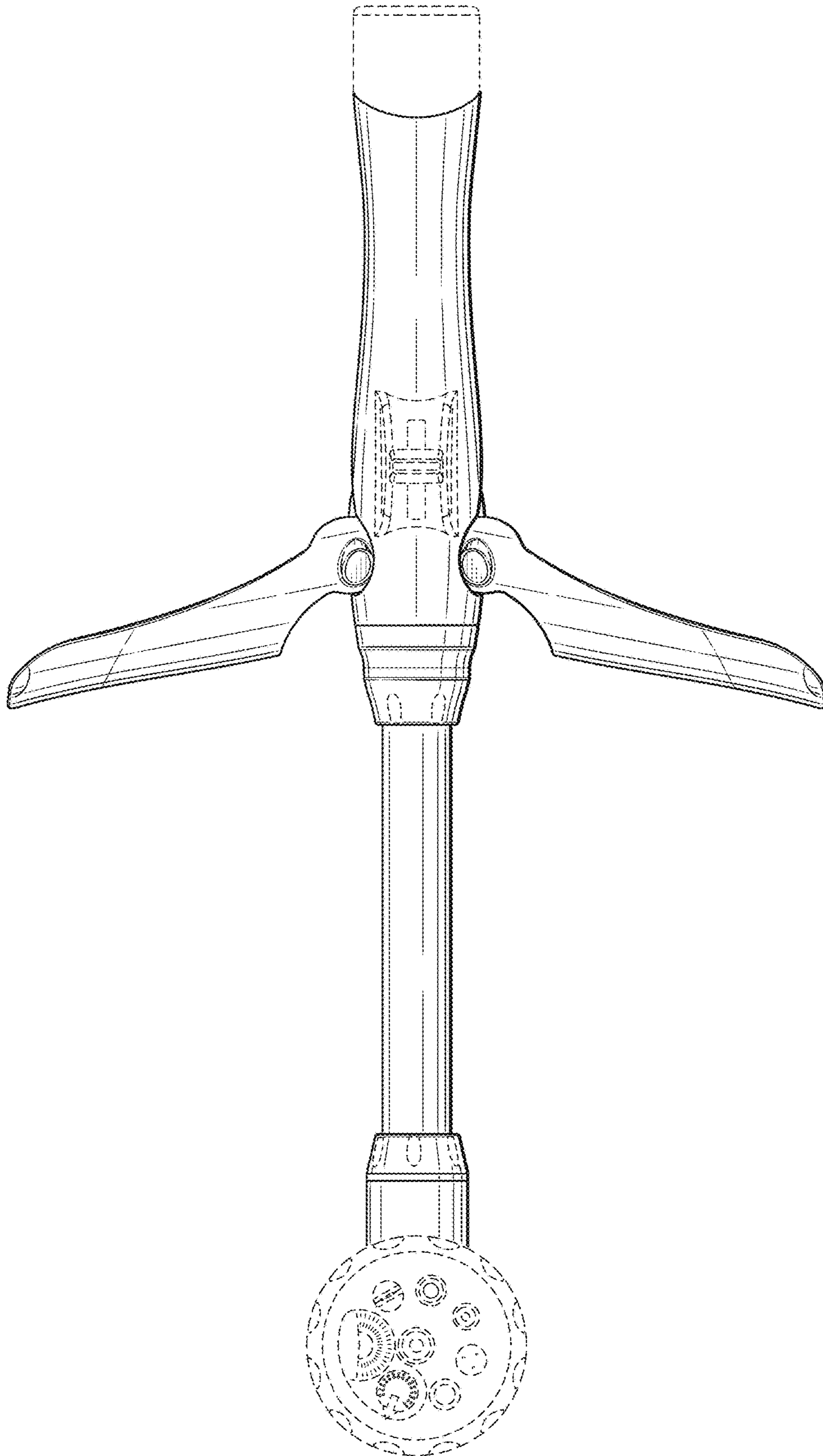


FIG. 14

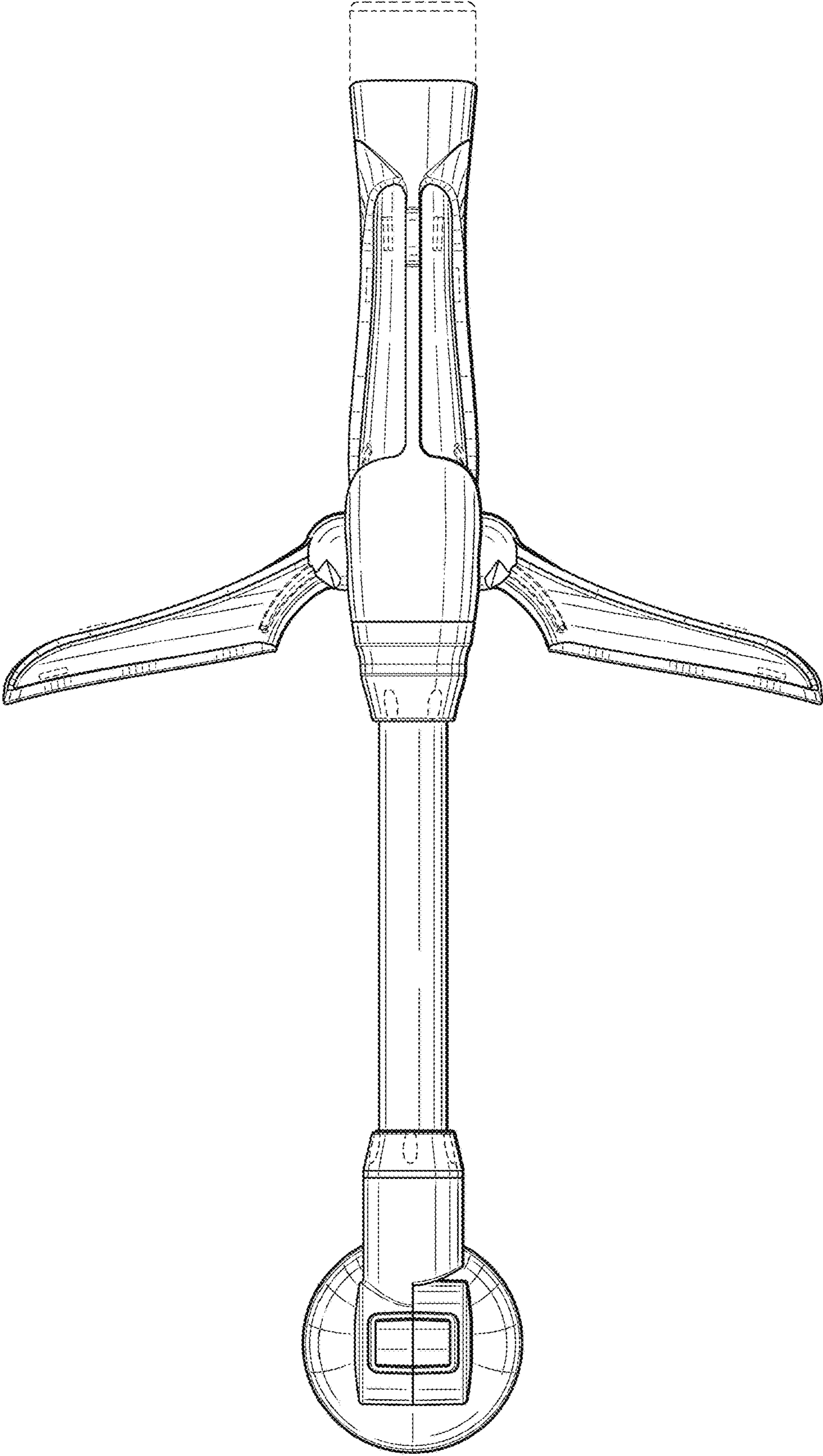


FIG. 15