



US00D825715S

(12) **United States Design Patent**  
**Bancroft et al.**

(10) **Patent No.:** **US D825,715 S**  
(45) **Date of Patent:** **\*\* Aug. 14, 2018**

- (54) **SPRINKLER AND COUPLING**
- (71) Applicant: **Victaulic Company**, Easton, PA (US)
- (72) Inventors: **Philip W. Bancroft**, Belvidere, NJ (US); **Daniel Wake**, Bethlehem, PA (US); **Ahmed Saleh**, Nazareth, PA (US); **Matthew A. Bowman**, Palmer, PA (US); **Craig Haney**, Nazareth, PA (US)
- (73) Assignee: **Victaulic Company**, Easton, PA (US)
- (\*\*) Term: **15 Years**
- (21) Appl. No.: **29/613,168**
- (22) Filed: **Aug. 8, 2017**
- (51) **LOC (11) Cl.** ..... **23-01**
- (52) **U.S. Cl.**  
USPC ..... **D23/214**
- (58) **Field of Classification Search**  
USPC ..... D23/213, 214; 169/37, 41  
CPC ..... A62C 31/02; A62C 37/10  
See application file for complete search history.

- 6,976,543 B1 \* 12/2005 Fischer ..... A62C 31/02  
169/37
- 7,021,392 B2 4/2006 Bentzien et al.
- D546,417 S \* 7/2007 Franson ..... A62C 37/08  
D23/214
- D612,450 S \* 3/2010 Feenstra ..... A62C 37/11  
D23/214
- D617,415 S \* 6/2010 Feenstra ..... A62C 35/68  
D23/214
- 7,819,201 B2 \* 10/2010 Pounder ..... A62C 37/11  
169/16
- 8,662,190 B2 \* 3/2014 Watson ..... A62C 31/02  
169/37
- 9,086,180 B2 \* 7/2015 Porta ..... A62C 35/68
- D748,224 S \* 1/2016 Holmes ..... A62C 31/02  
D23/214
- 9,782,614 B2 \* 10/2017 Chen ..... A62C 35/68
- 9,849,320 B2 \* 12/2017 Ringer ..... A62C 37/11
- 2011/0214886 A1 9/2011 Orr

\* cited by examiner

*Primary Examiner* — Robin V Webster

(74) *Attorney, Agent, or Firm* — Ballard Spahr LLP

(57) **CLAIM**

We claim the ornamental design for a sprinkler and coupling, as shown and described.

**DESCRIPTION**

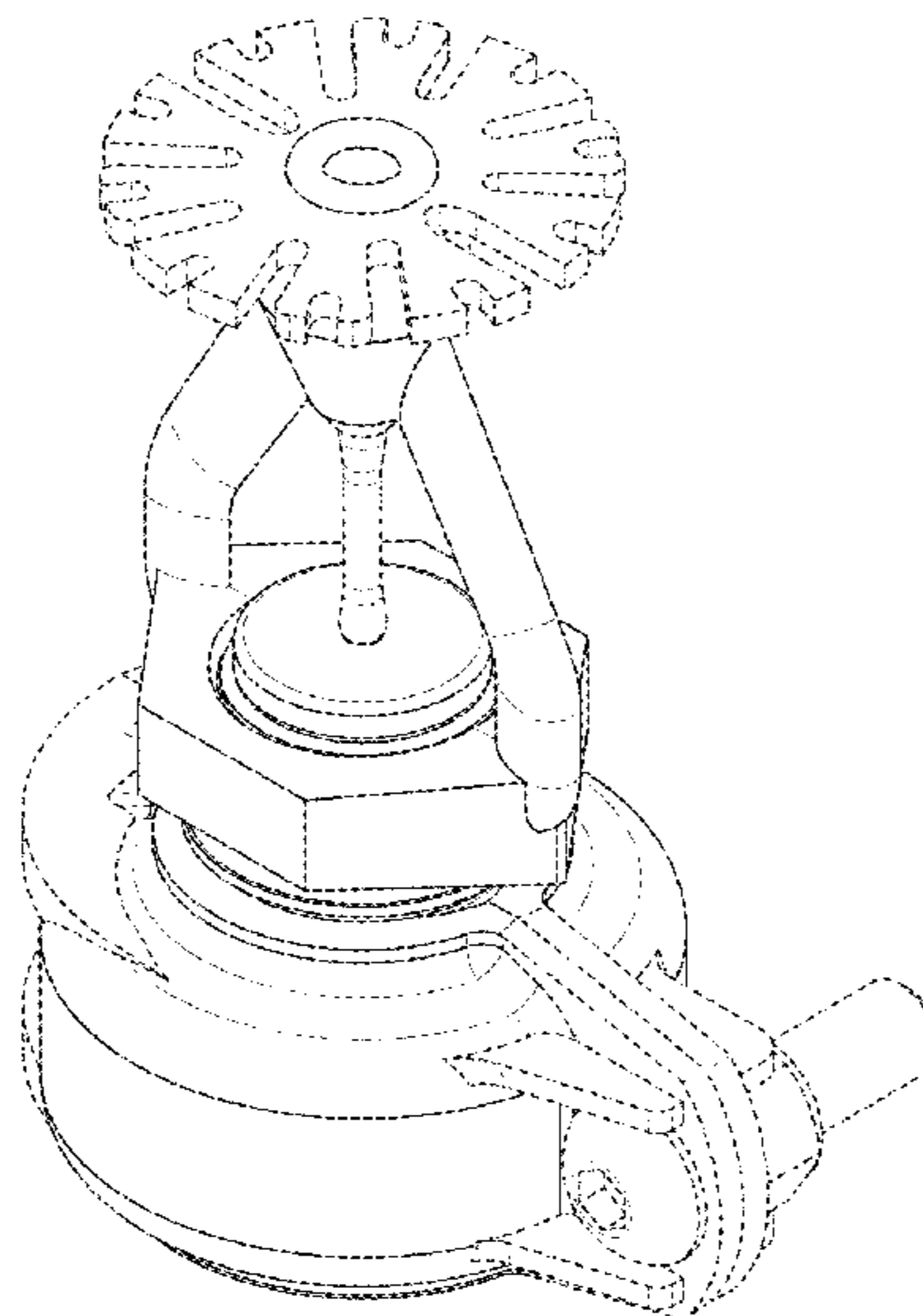
FIG. 1 is a perspective view of a sprinkler and coupling showing my new design;  
 FIG. 2 is a front view thereof;  
 FIG. 3 is a rear view thereof;  
 FIG. 4 is a left side view thereof;  
 FIG. 5 is a right side view thereof;  
 FIG. 6 is a top view thereof; and,  
 FIG. 7 is a bottom view thereof.  
 The broken lines depict portions of the sprinkler and coupling that form no part of the claimed design.

**1 Claim, 7 Drawing Sheets**

(56) **References Cited**

U.S. PATENT DOCUMENTS

- 1,255,111 A \* 1/1918 Buffum ..... A62C 37/12  
169/39
- 1,273,818 A \* 7/1918 Buffum ..... A62C 37/12  
169/39
- 4,732,216 A \* 3/1988 Polan ..... A62C 37/10  
169/38
- D303,138 S \* 8/1989 Smith ..... D23/214
- D348,719 S \* 7/1994 Dolan ..... D23/214
- 5,366,022 A \* 11/1994 Meyer ..... A62C 37/08  
169/16
- 6,516,893 B2 \* 2/2003 Pahila ..... A62C 31/02  
169/37



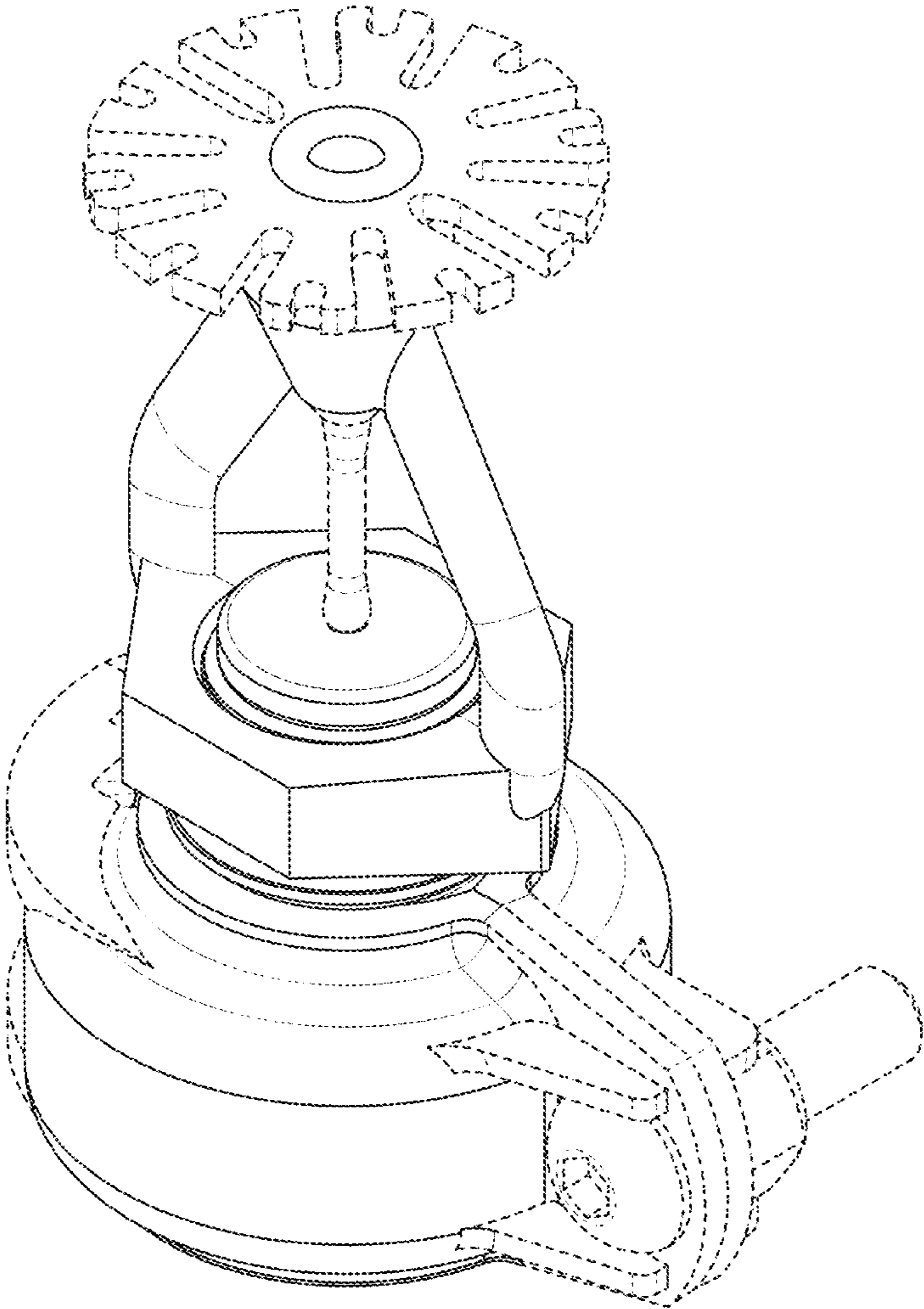


FIG. 1

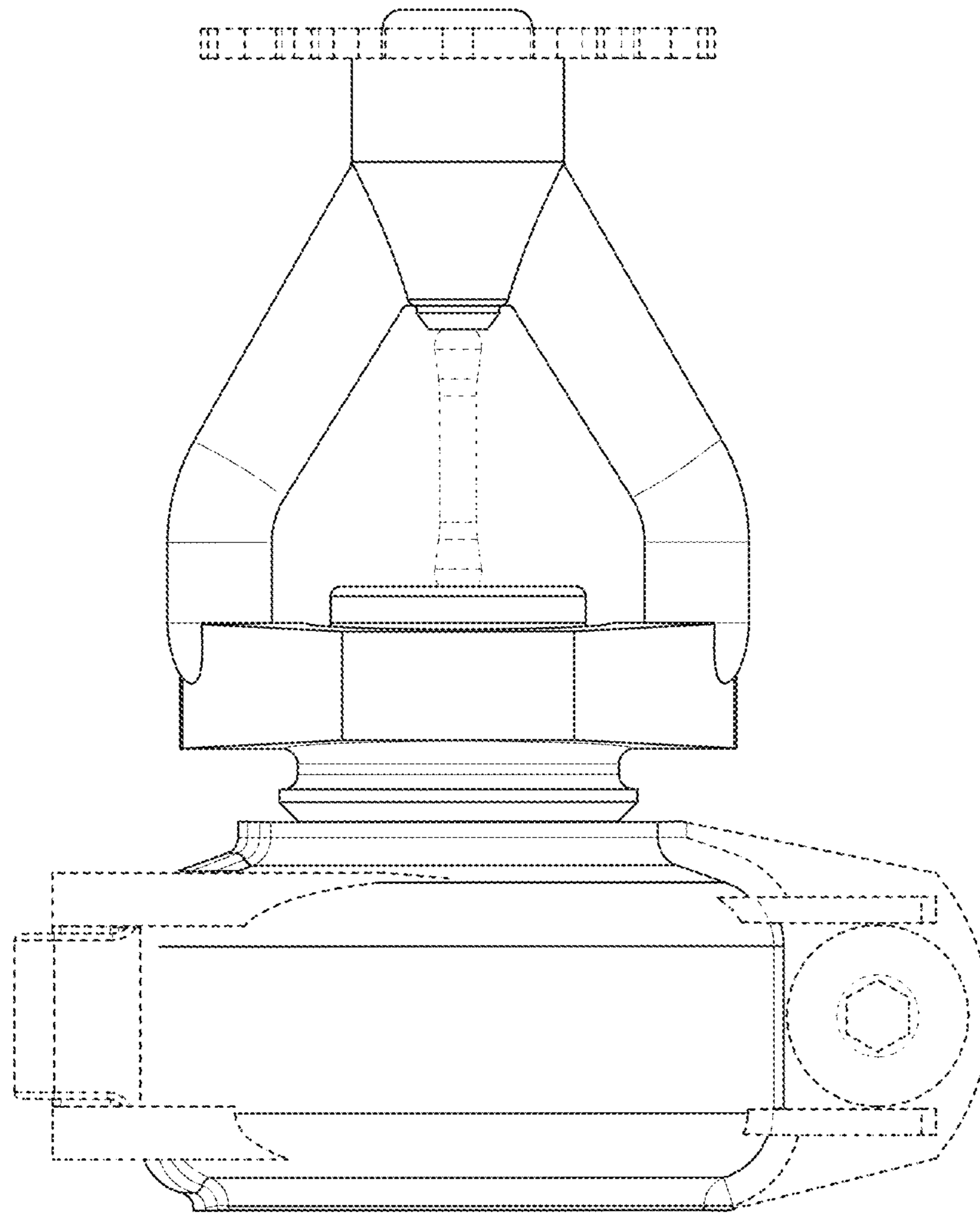


FIG. 2

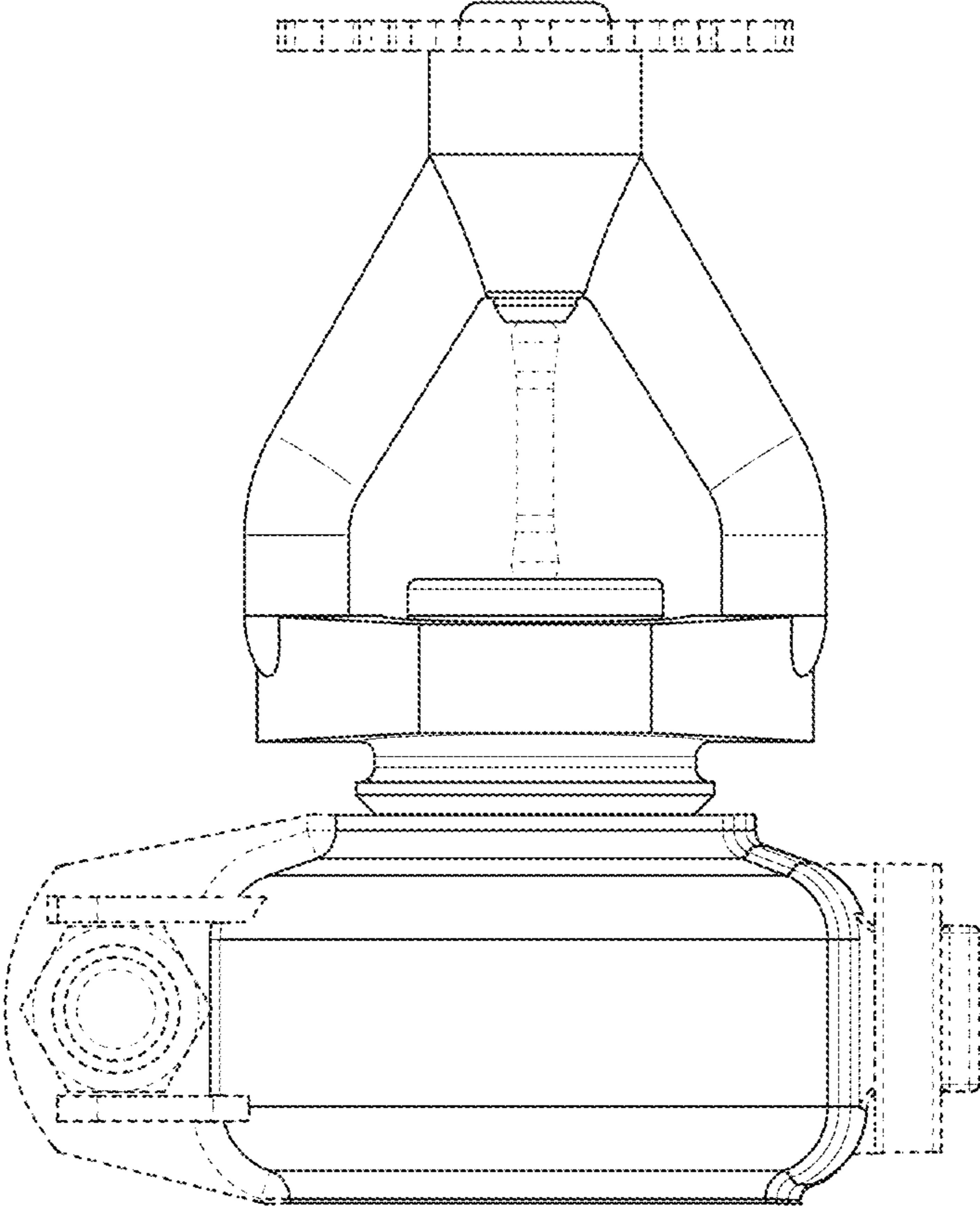


FIG. 3

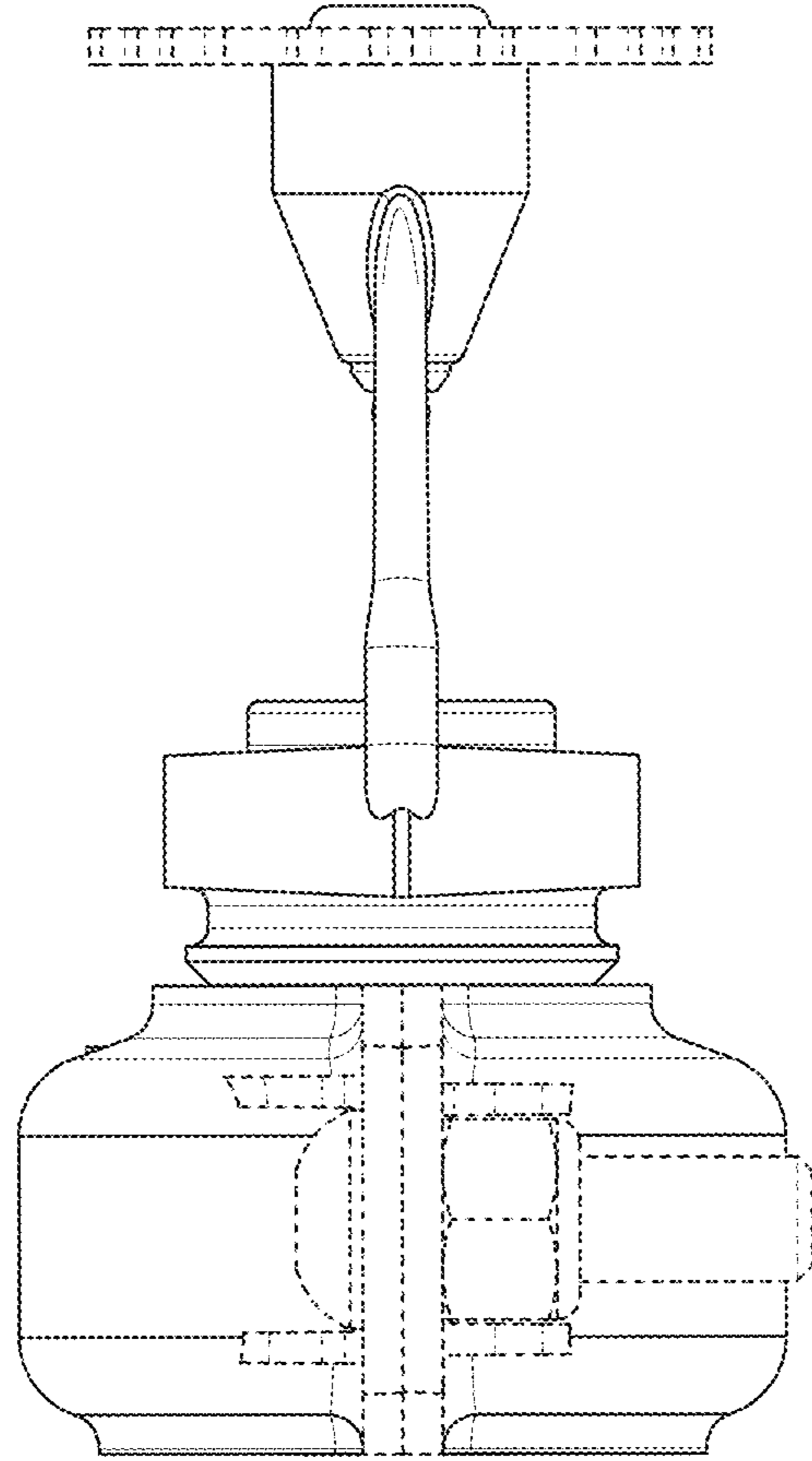


FIG. 4

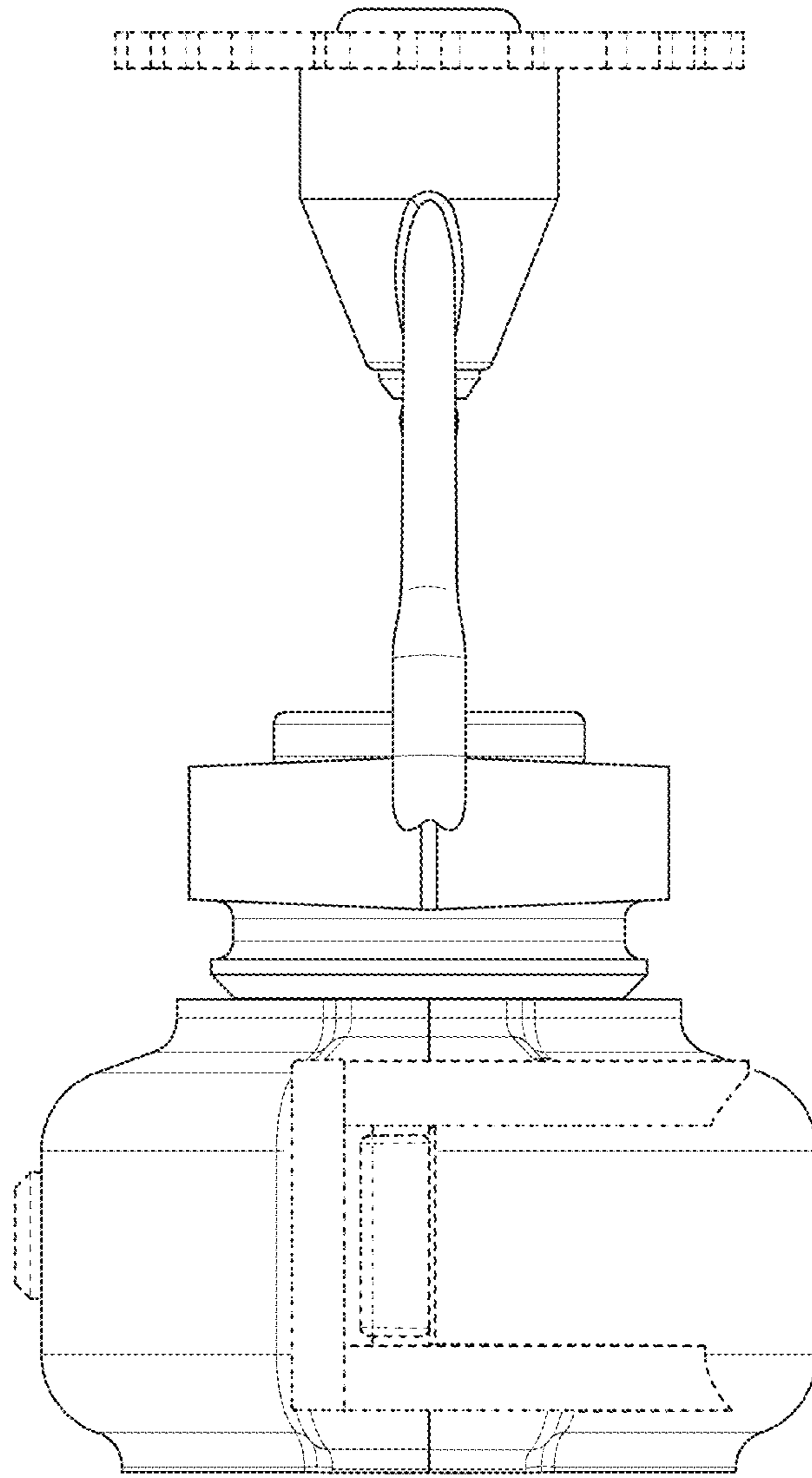


FIG. 5

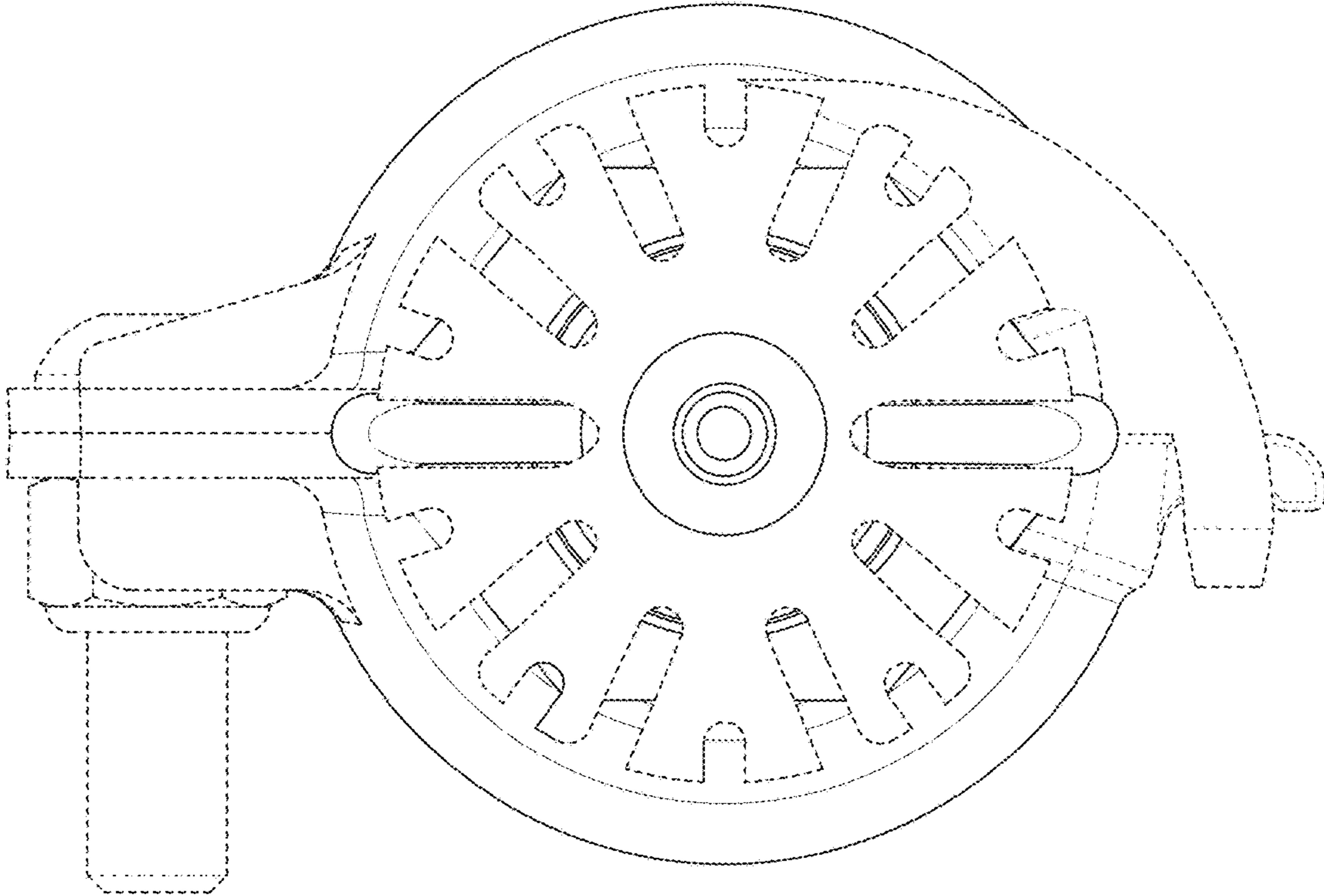


FIG. 6

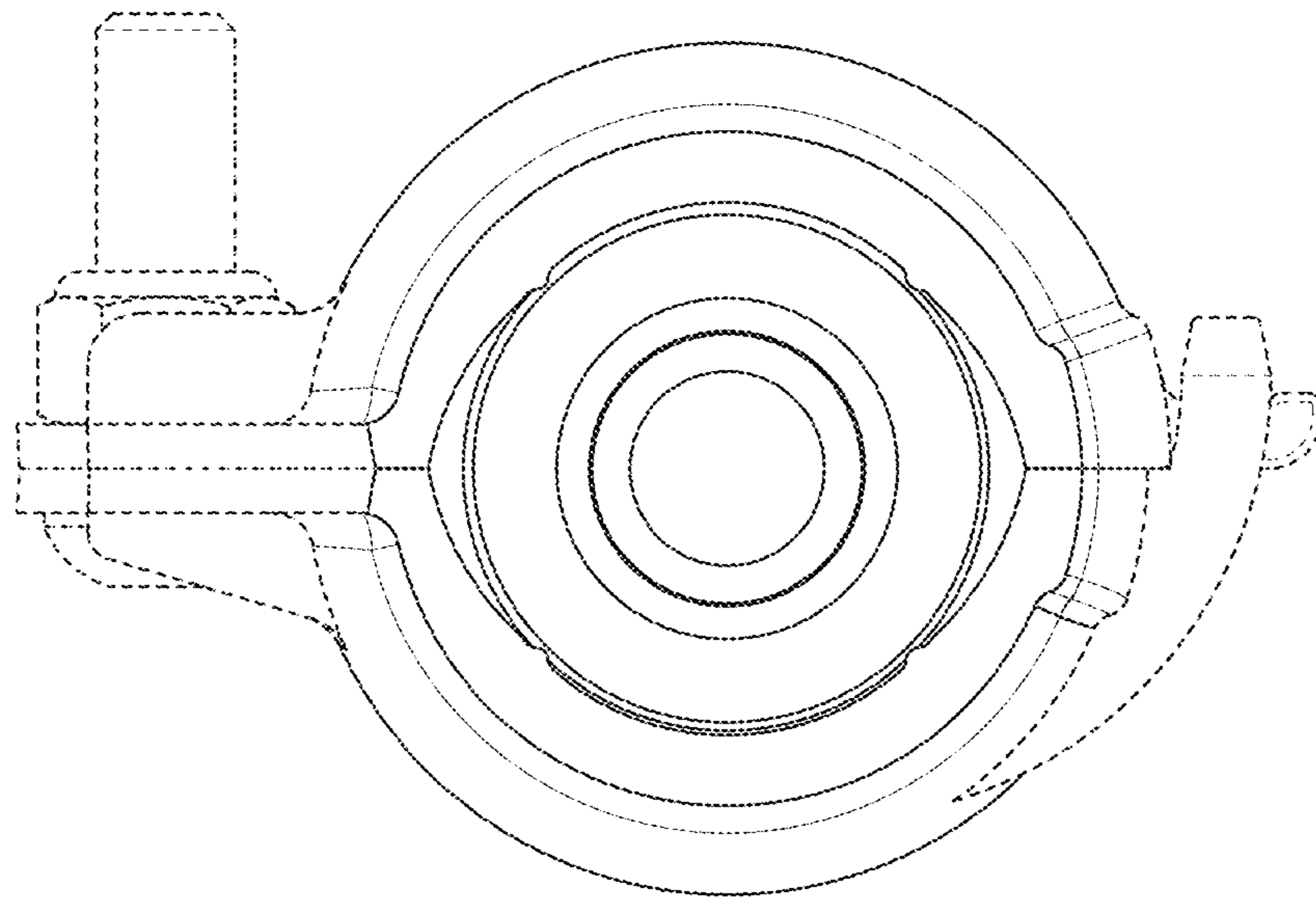


FIG. 7