



US00D825714S

(12) **United States Design Patent** (10) **Patent No.:** **US D825,714 S**  
**Buckelew et al.** (45) **Date of Patent:** **\*\* Aug. 14, 2018**

(54) **AGRICULTURAL TANK**  
(71) Applicant: **FMC CORPORATION**, Philadelphia, PA (US)  
(72) Inventors: **Lamar Buckelew**, Davenport, IA (US); **David Wheeler**, Philadelphia, PA (US); **Neil Destefano**, Philadelphia, PA (US); **Timothy M. Martin**, Ringoes, NJ (US); **Adam Prestegord**, Philadelphia, PA (US); **Shawn Grant**, Owensboro, KY (US); **Gary Grant**, Owensboro, KY (US)  
(73) Assignee: **FMC CORPORATION**, Philadelphia, PA (US)  
(\*\*) Term: **15 Years**  
(21) Appl. No.: **29/615,108**  
(22) Filed: **Aug. 25, 2017**

220/562; 280/830, 760, 839, 834;  
137/267; 296/15, 100.18, 203.01;  
180/314; D12/95, 218; 239/146;  
D23/202  
CPC ..... A01D 41/1226; A01D 41/1208; A01D 41/1217; A01M 7/0085; A01M 7/0082; A01C 23/008; B60P 3/2215  
See application file for complete search history.

(56) **References Cited**  
U.S. PATENT DOCUMENTS  
D795,930 S \* 8/2017 Buckelew ..... D15/28  
D802,711 S \* 11/2017 Buckelew ..... D23/202  
\* cited by examiner

*Primary Examiner* — Cynthia Ramirez  
*Assistant Examiner* — Gino Colan  
(74) *Attorney, Agent, or Firm* — Fox Rothschild LLP

(57) **CLAIM**  
The ornamental design for an agricultural tank, as shown and described.

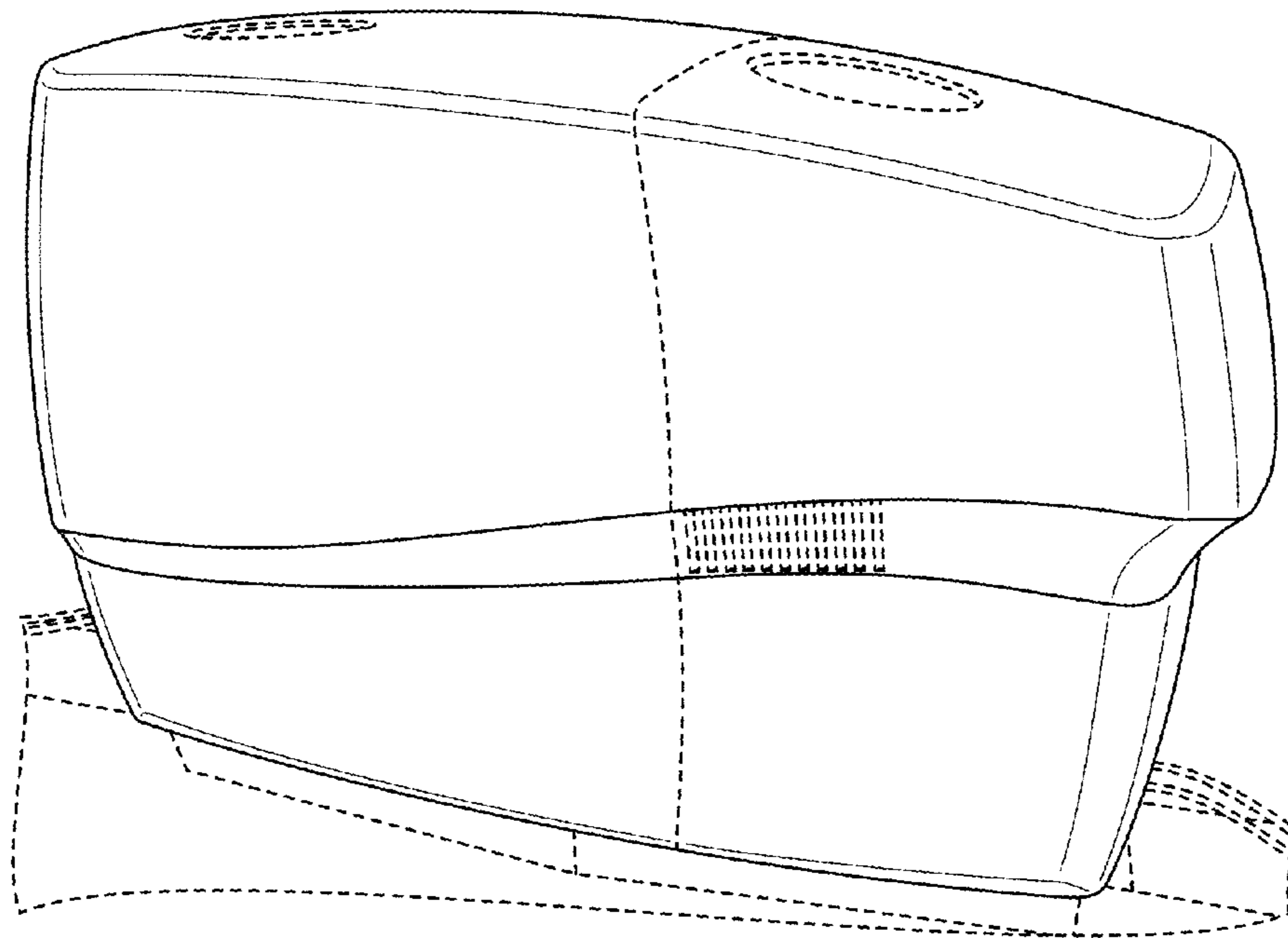
**Related U.S. Application Data**

(63) Continuation of application No. 29/575,474, filed on Aug. 25, 2016, now Pat. No. Des. 802,711, which is a continuation of application No. 29/473,293, filed on Nov. 20, 2013, now Pat. No. Des. 795,930.  
(51) **LOC (11) Cl.** ..... **23-01**  
(52) **U.S. Cl.**  
USPC ..... **D23/202**; D12/218; D15/28  
(58) **Field of Classification Search**  
USPC ..... D15/10-28, 29-33; 460/119, 23;

**DESCRIPTION**

FIG. 1 is a side perspective view of an agricultural tank showing our new design.  
FIG. 2 is a side view of FIG. 1; and,  
FIG. 3 is a top perspective view of FIG. 1.  
The broken lines illustrate environmental structure, which forms no part of the claimed design. Applicant hereby disclaims the bottom surface of the agricultural tank as forming no part of the claimed design.

**1 Claim, 3 Drawing Sheets**



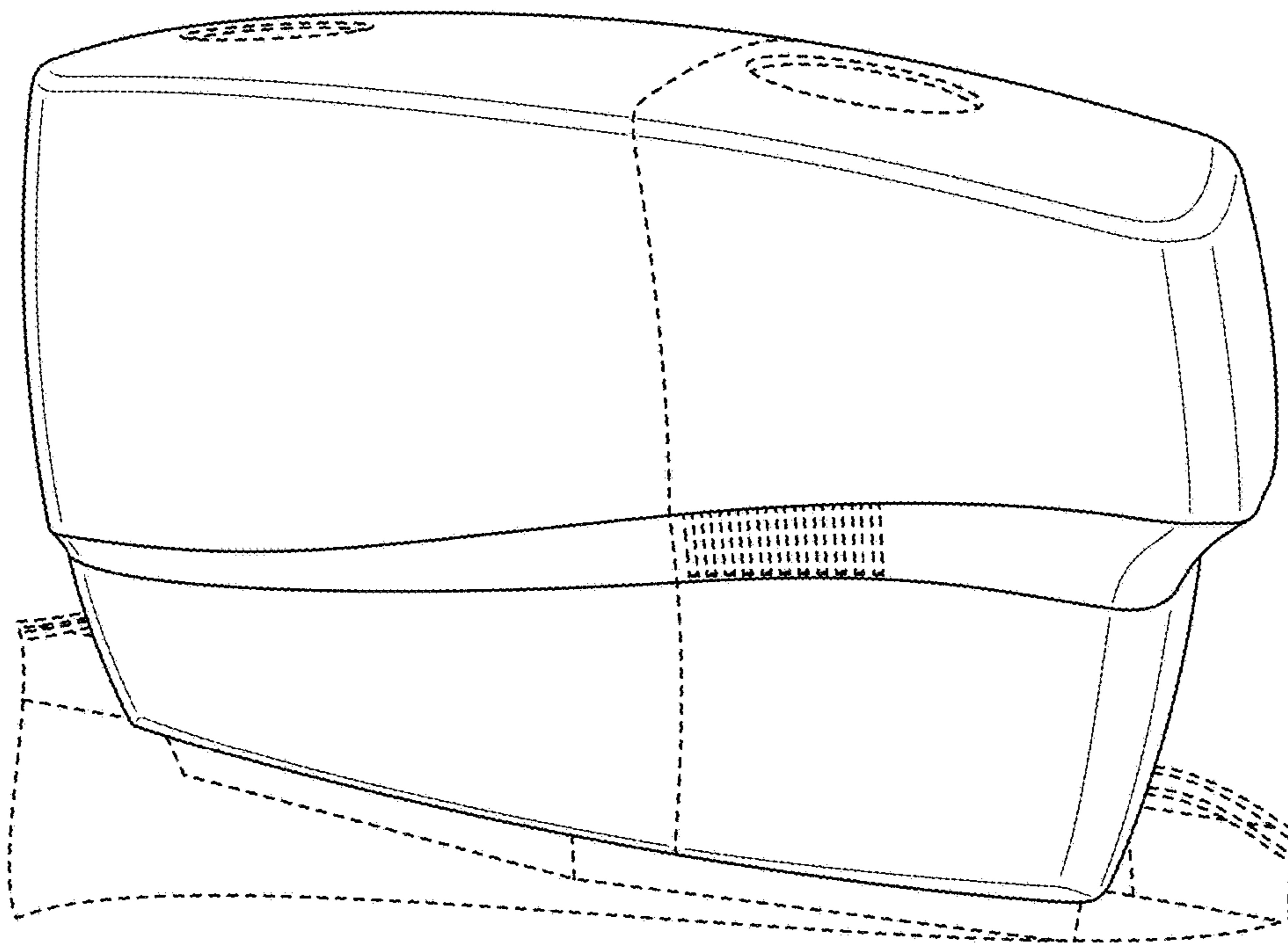


FIG. 1

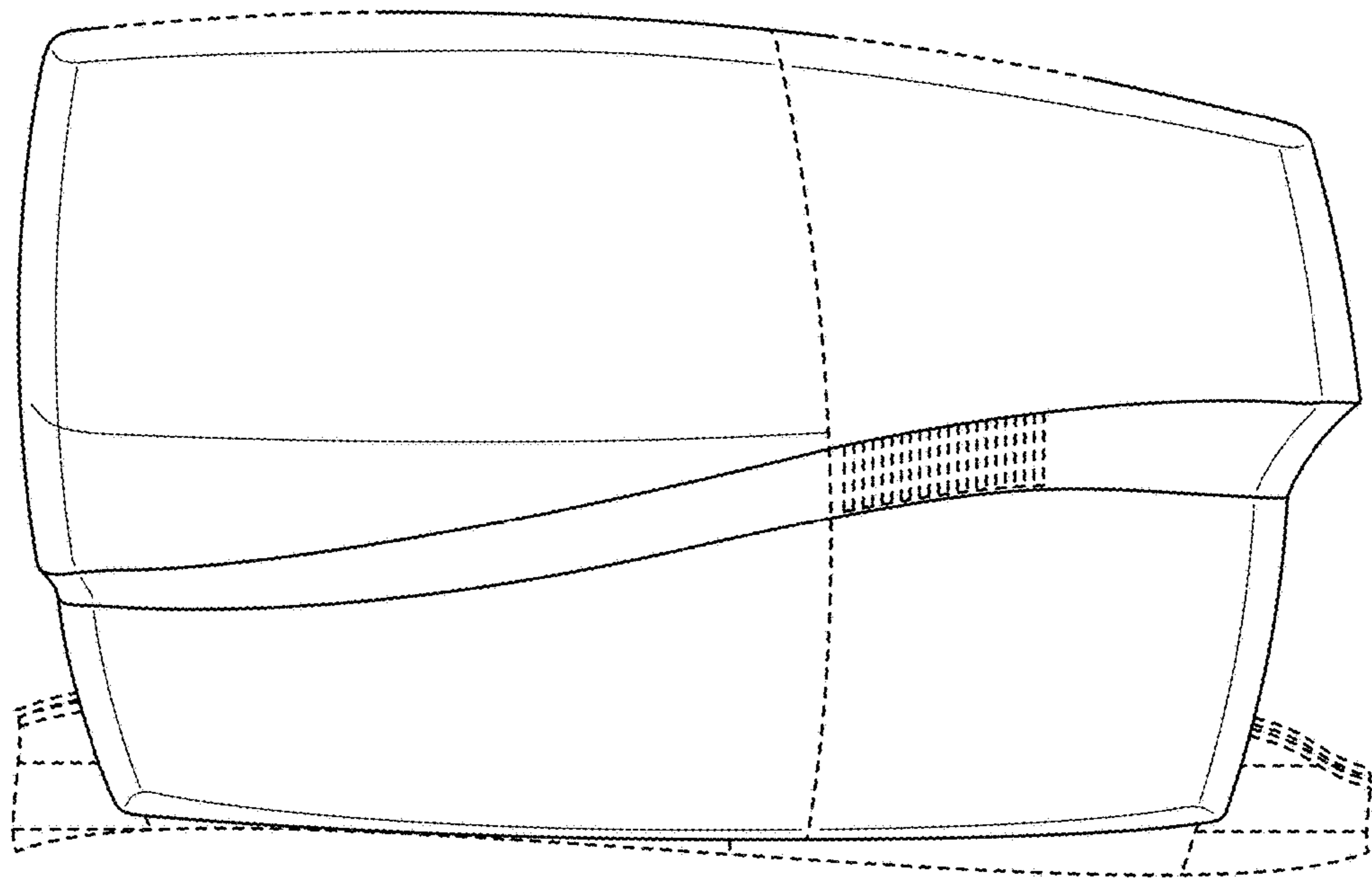


FIG. 2

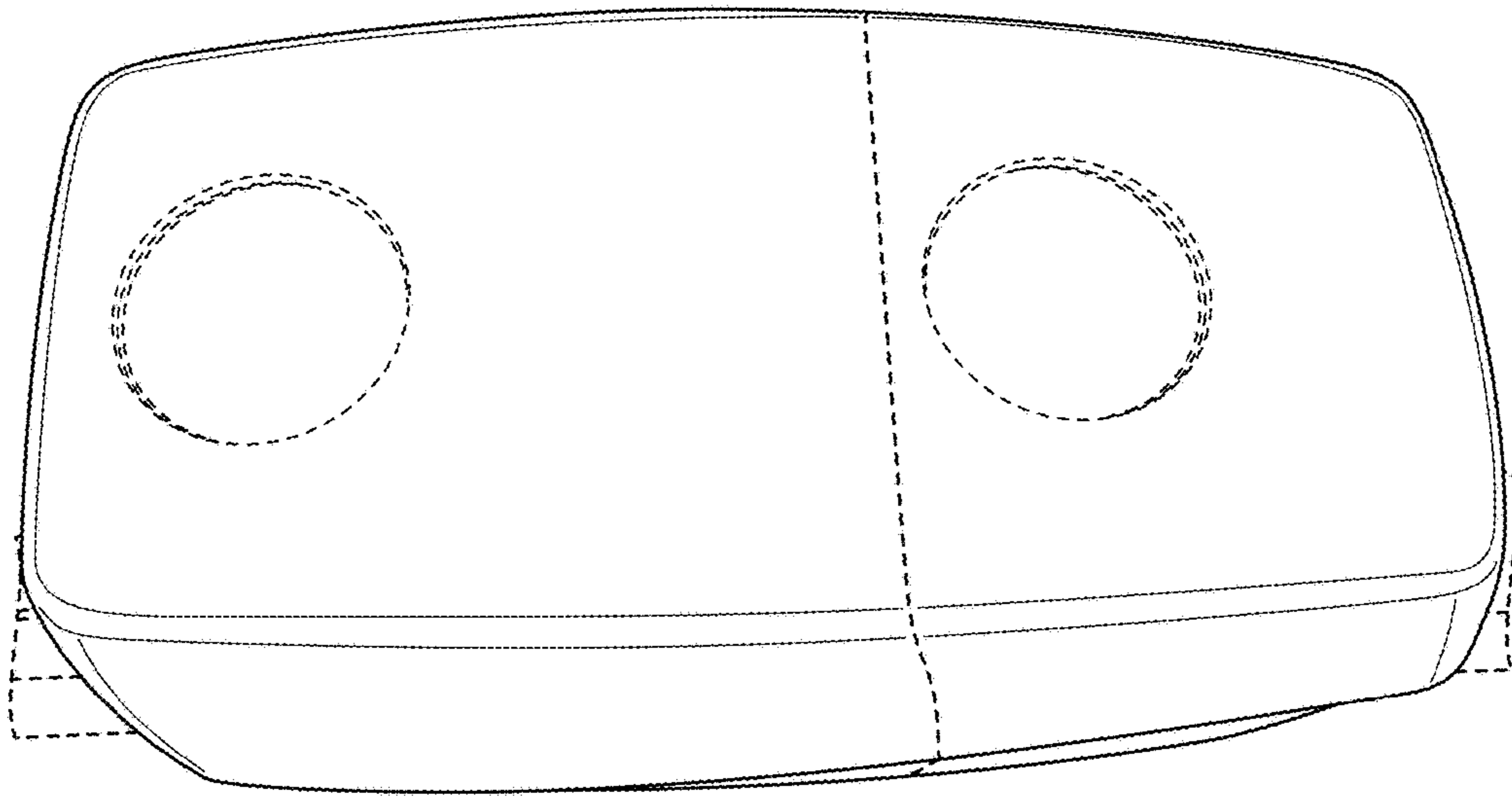


FIG. 3