



US00D825713S

(12) **United States Design Patent** (10) **Patent No.:** **US D825,713 S**
Kim (45) **Date of Patent:** **** Aug. 14, 2018**

(54) **TIP OF FISHING PLIERS**

(71) Applicant: **Il Han Kim**, Daegu (KR)

(72) Inventor: **Il Han Kim**, Daegu (KR)

(**) Term: **15 Years**

(21) Appl. No.: **29/577,177**

(22) Filed: **Sep. 9, 2016**

(51) **LOC (11) Cl.** **22-05**

(52) **U.S. Cl.**
USPC **D22/149**

(58) **Field of Classification Search**
USPC D8/4, 5, 14, 51, 52, 53, 54, 55, 56, 57,
D8/58; D22/149, 199
CPC B25B 27/10; B25B 27/0035; B25B 27/02
See application file for complete search history.

(56) **References Cited**

U.S. PATENT DOCUMENTS

D118,280 S *	12/1939	Hausmann	D8/57
3,130,616 A *	4/1964	Miller	A61C 7/04
				30/91.2
3,484,924 A *	12/1969	Dahl	B25B 27/205
				29/229
D337,247 S *	7/1993	Dart	D8/52
D338,813 S *	8/1993	Lumia	D8/14
D442,842 S *	5/2001	Jaeyoul	D8/105
D446,095 S *	8/2001	Lai	D8/5
D458,827 S *	6/2002	Liversidge	D8/51
D479,450 S *	9/2003	Pijanowski	D8/52

(Continued)

FOREIGN PATENT DOCUMENTS

JP	2016153162 A *	8/2016	B25B 7/02
JP	2017007081 A *	1/2017	A01K 97/00

OTHER PUBLICATIONS

Amazon website, Wolfyok Aluminum Fishing Pliers, Publication Date Unknown, [site visited May 19, 2018], <https://www.amazon.com/Aluminum-Wolfyok-Stainless-Steel-Hook-Saltwater/dp/B072HG6HFB>.*

com/Aluminum-Wolfyok-Stainless-Steel-Hook-Saltwater/dp/B072HG6HFB.*

(Continued)

Primary Examiner — Karen S Acker

Assistant Examiner — Steven B Reinholdt, Jr.

(74) *Attorney, Agent, or Firm* — Paratus Law Group, PLLC

(57) **CLAIM**

The ornamental design for “tip of fishing pliers”, as shown and described.

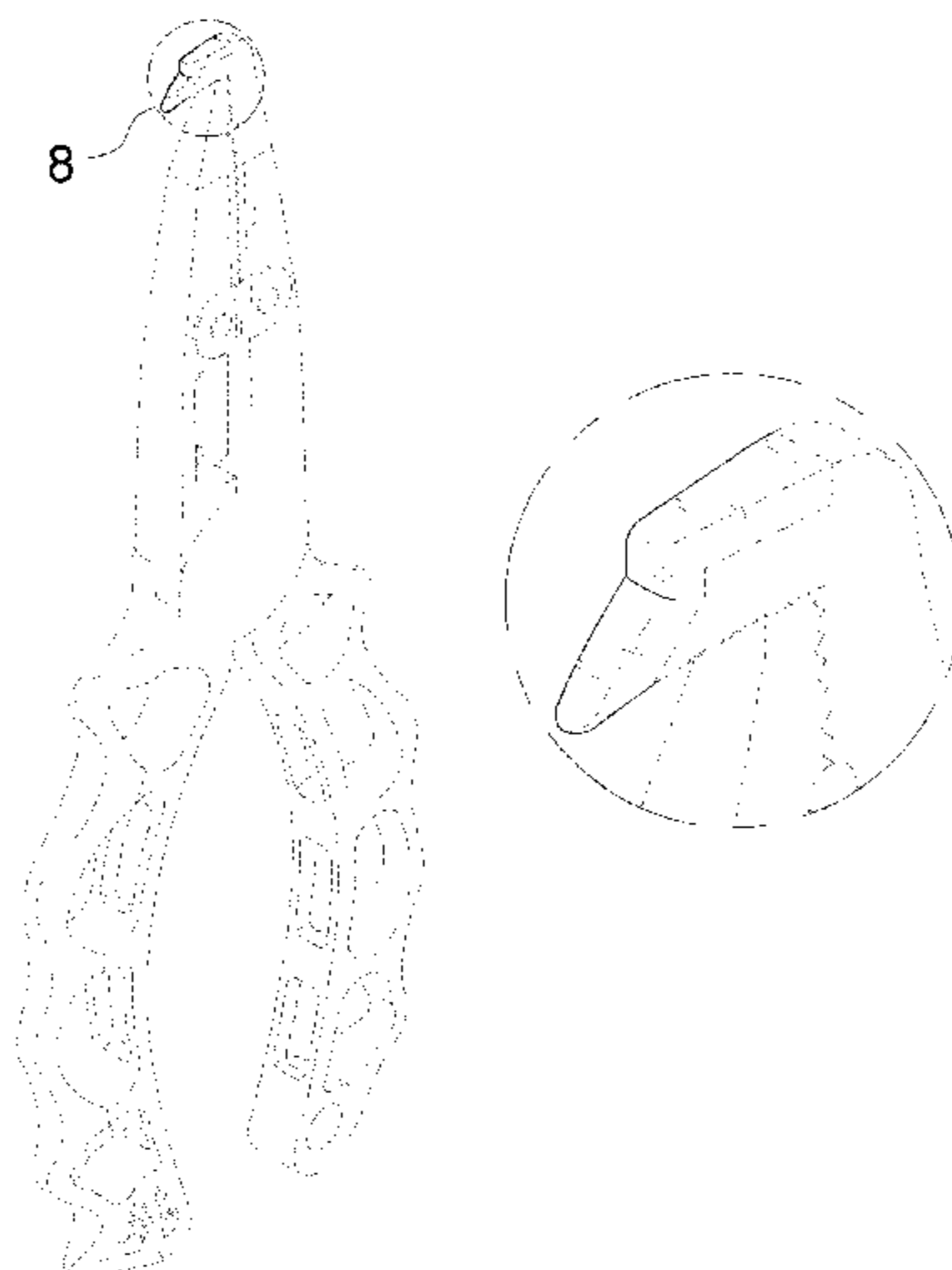
DESCRIPTION

FIG. 1 is a perspective view of tip of fishing pliers showing the claimed design;
FIG. 2 is a front view thereof;
FIG. 3 is a back view thereof;
FIG. 4 is a left side view thereof;
FIG. 5 is a right side view thereof;
FIG. 6 is a top view thereof;
FIG. 7 is a bottom view thereof;
FIG. 8 is an enlarged view along line 8 as shown in FIG. 1;
FIG. 9 is an enlarged view along line 9 as shown in FIG. 2;
FIG. 10 is an enlarged view along line 10 as shown in FIG. 4;
FIG. 11 is an enlarged view along line 11 as shown in FIG. 6; and,
FIG. 12 is a reference view showing the claimed design in use.

The evenly spaced broken lines in the drawings depict environmental subject matter that forms no part of the claimed design. The dot dash dot broken lines depict the boundaries of the claim and form no part thereof.

The claimed design is a part of fishing pliers and configured to be used to open a split ring to hang fishing baits and fishing hooks on the split ring as shown in FIG. 12.

1 Claim, 9 Drawing Sheets



(56)

References Cited

U.S. PATENT DOCUMENTS

D523,713 S * 6/2006 Applegate 7/103
D532,265 S * 11/2006 Norton D8/52
D536,586 S * 2/2007 Macor D8/52
D566,840 S * 4/2008 Golden D24/153
D567,376 S * 4/2008 Golden D24/153
D596,010 S * 7/2009 Cheldin D8/104
D596,910 S * 7/2009 Whitehead D8/52
8,365,418 B2 * 2/2013 Tomasetti B26B 17/00
30/254
2007/0240316 A1 * 10/2007 Yu B26B 13/06
30/254

OTHER PUBLICATIONS

Scout website, Pending TN State Record Black Crappie Might Be World Record, Publication date May 16, 2018, [site visited May 19, 2018], <https://scout.com/outdoors/bass-fishing/ContentGallery/Pending-TN-State-Record-Black-Crappie-Might-Be-World-Record-118289269/>.*

* cited by examiner

FIG. 1

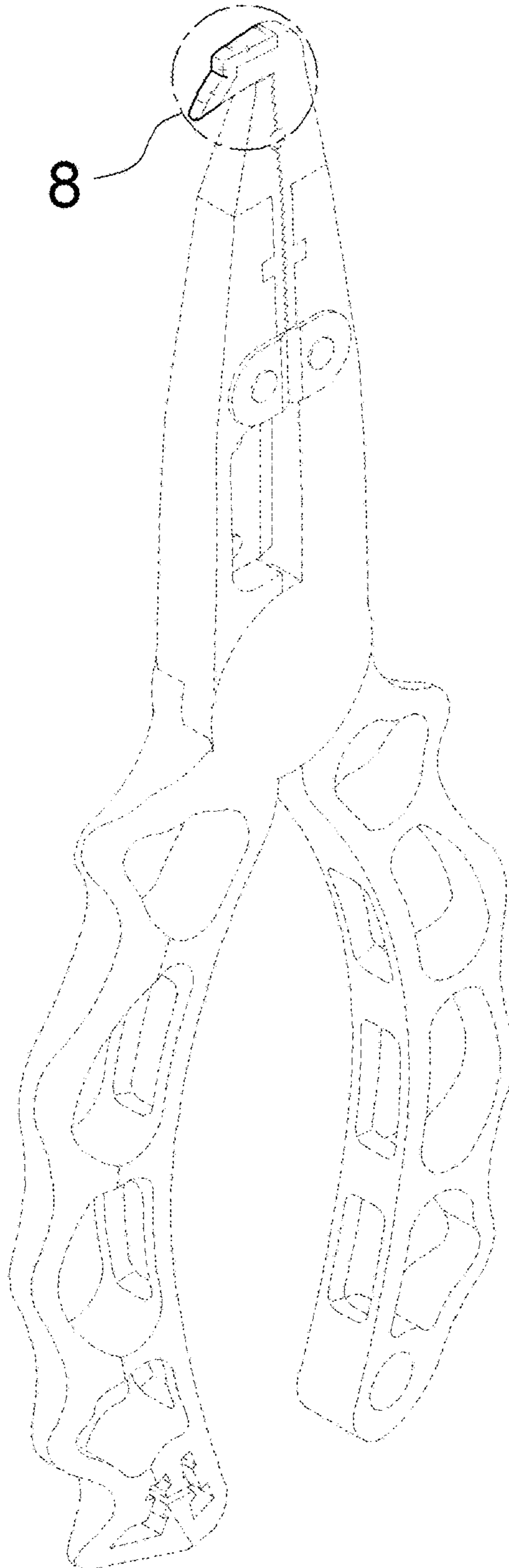


FIG. 2

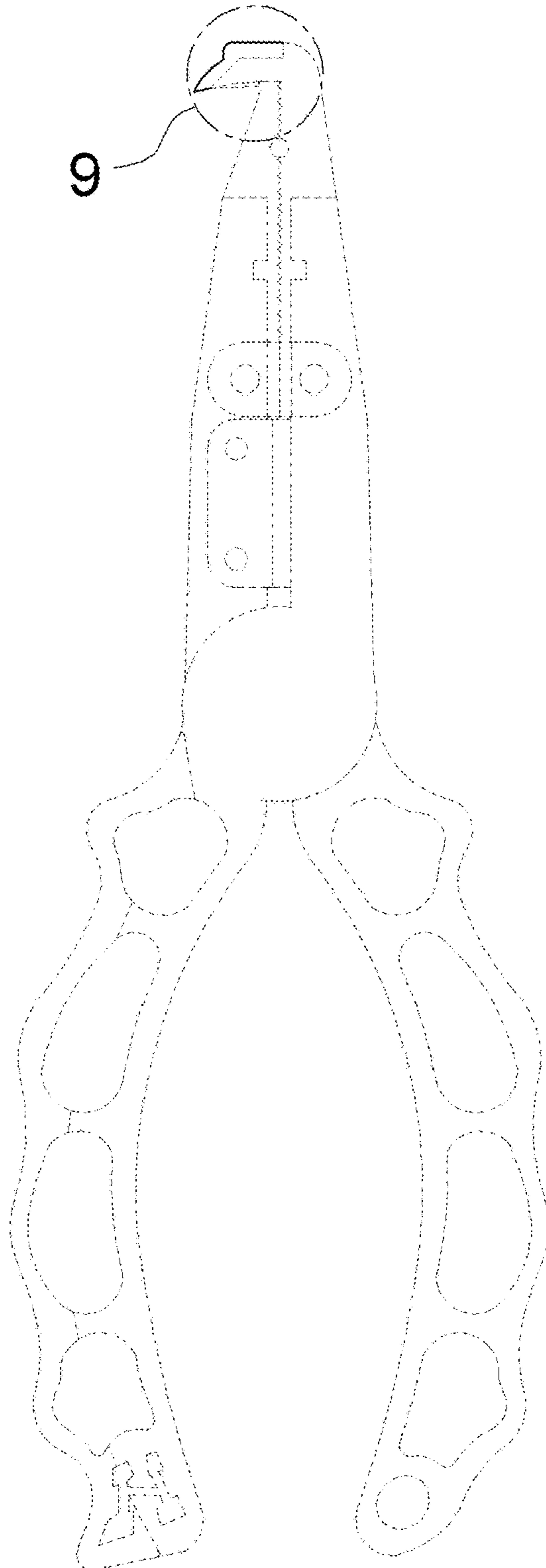


FIG. 3

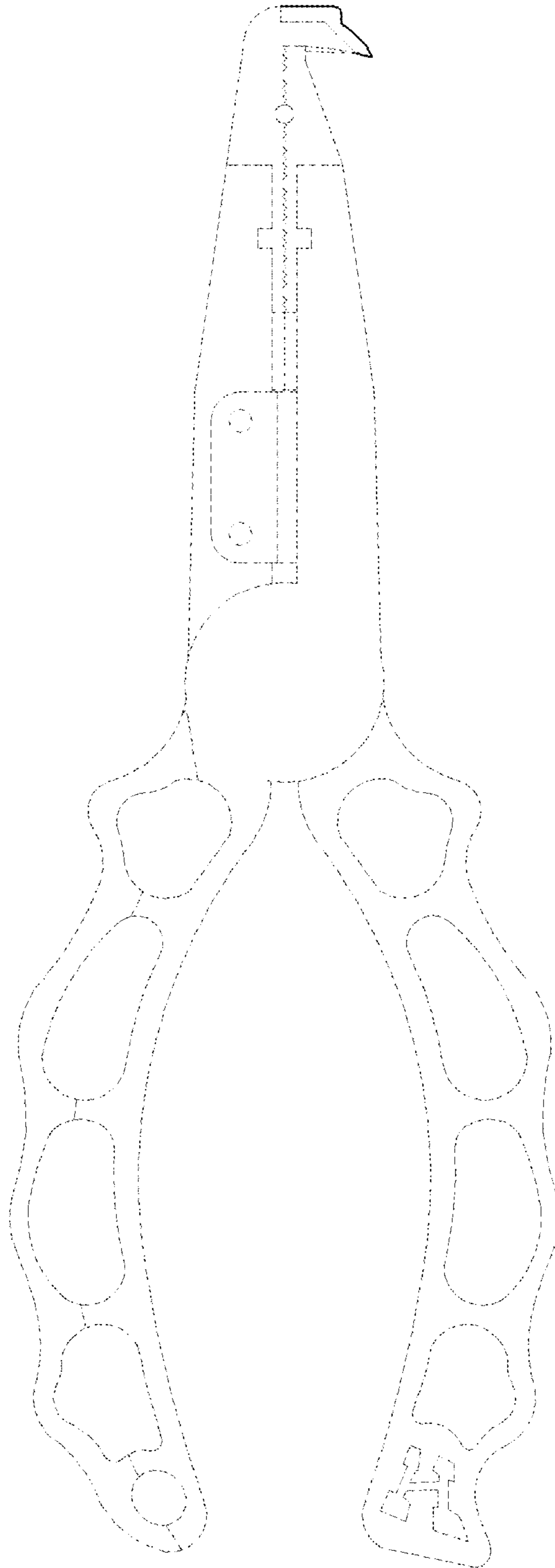


FIG. 4

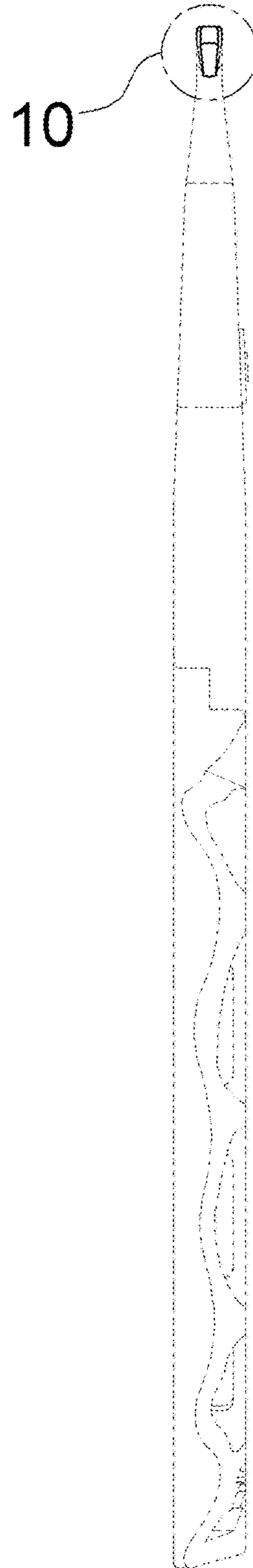


FIG. 5

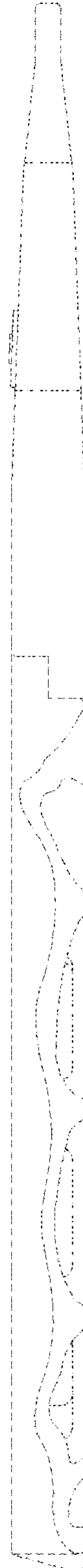


FIG. 6

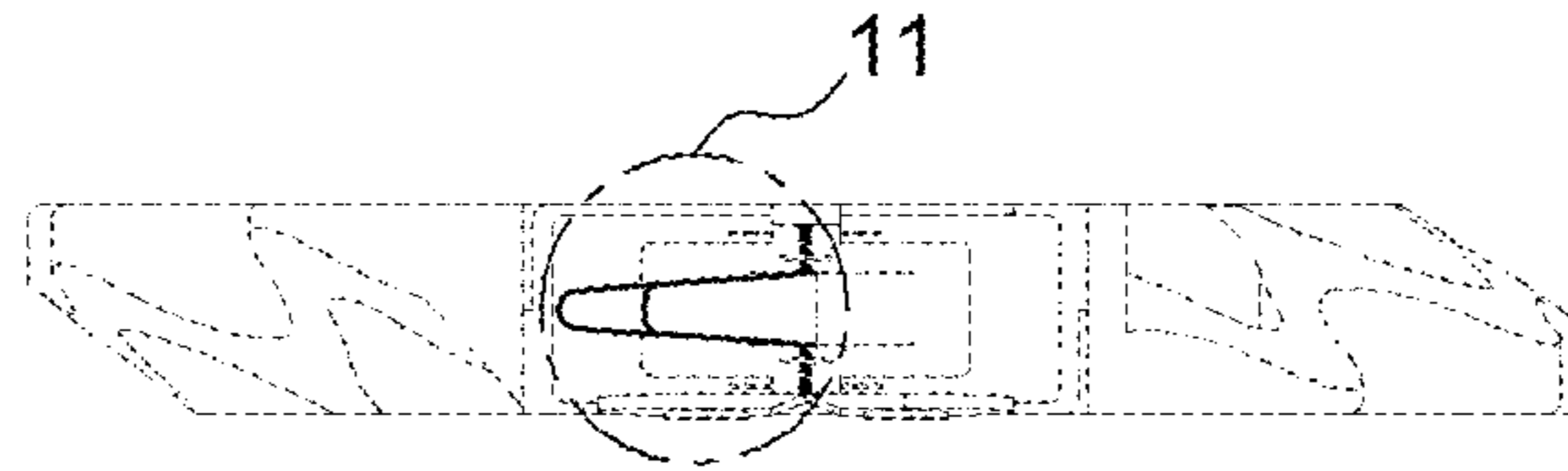


FIG. 7

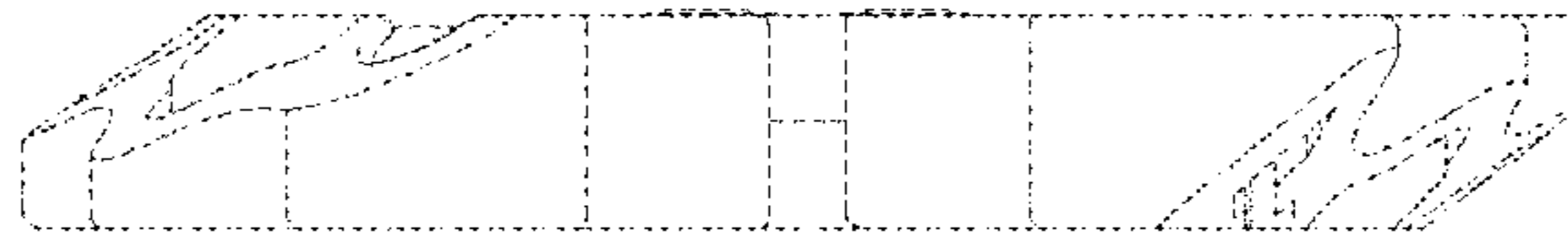


FIG. 8

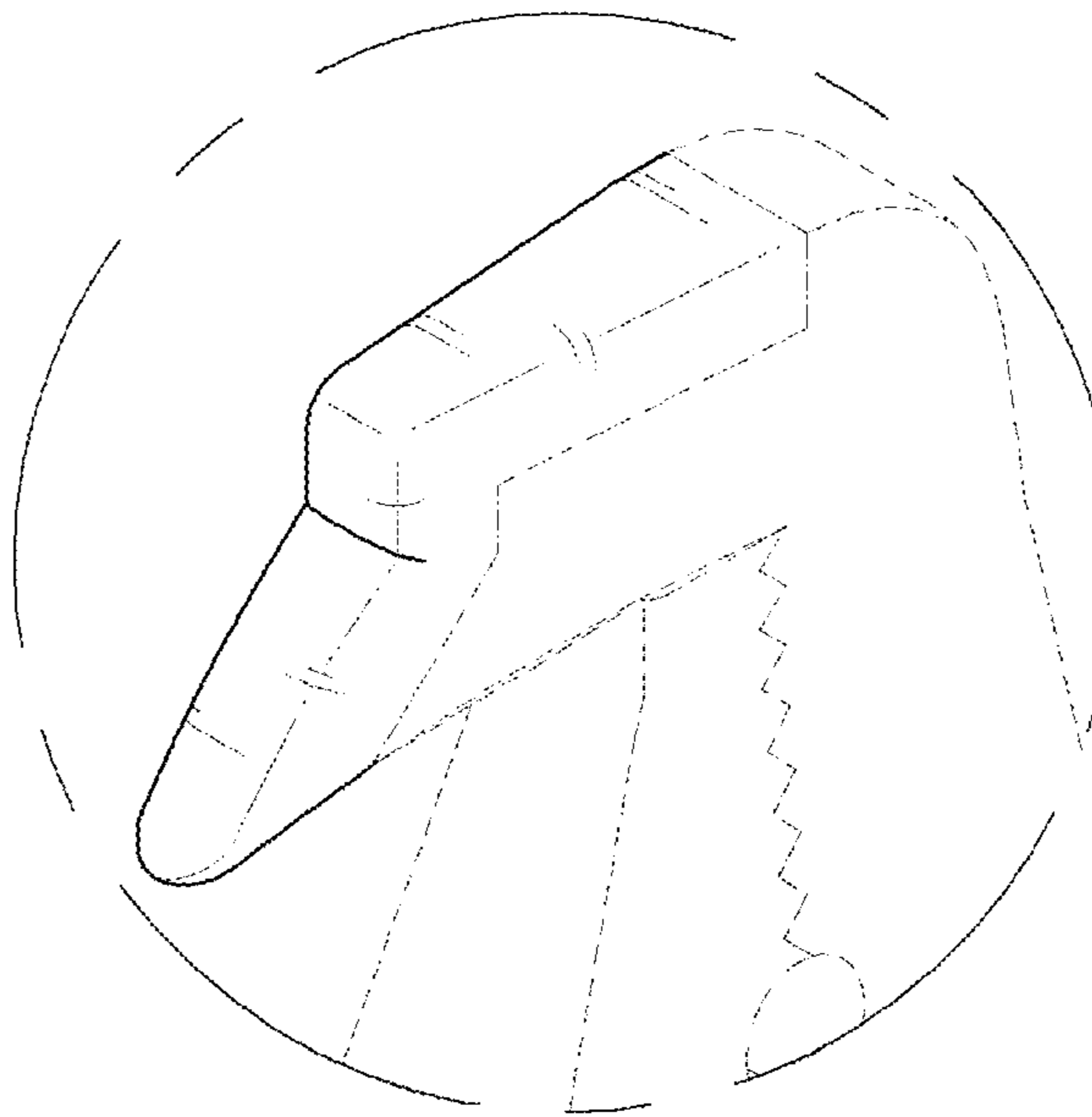


FIG. 9

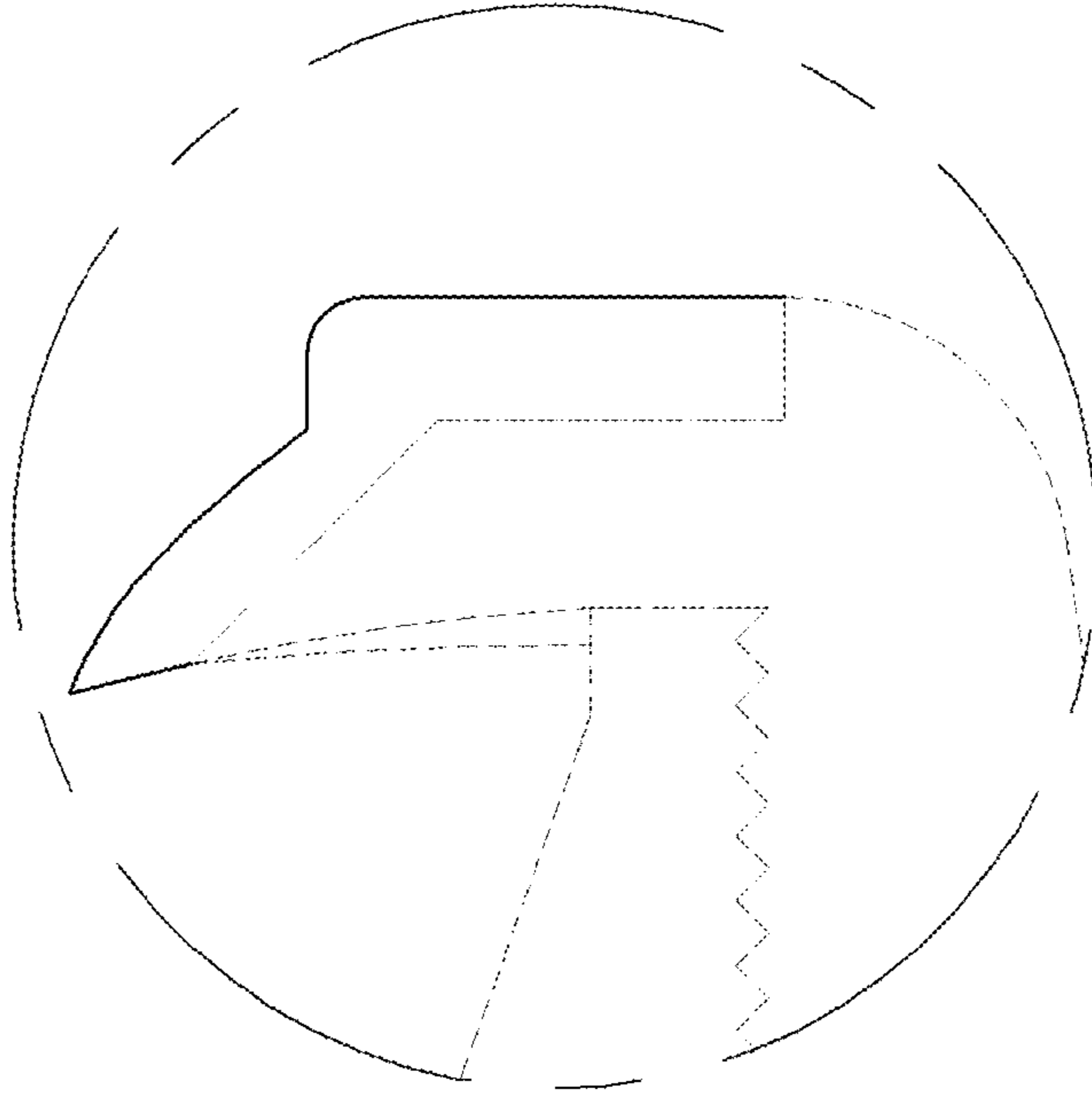


FIG. 10

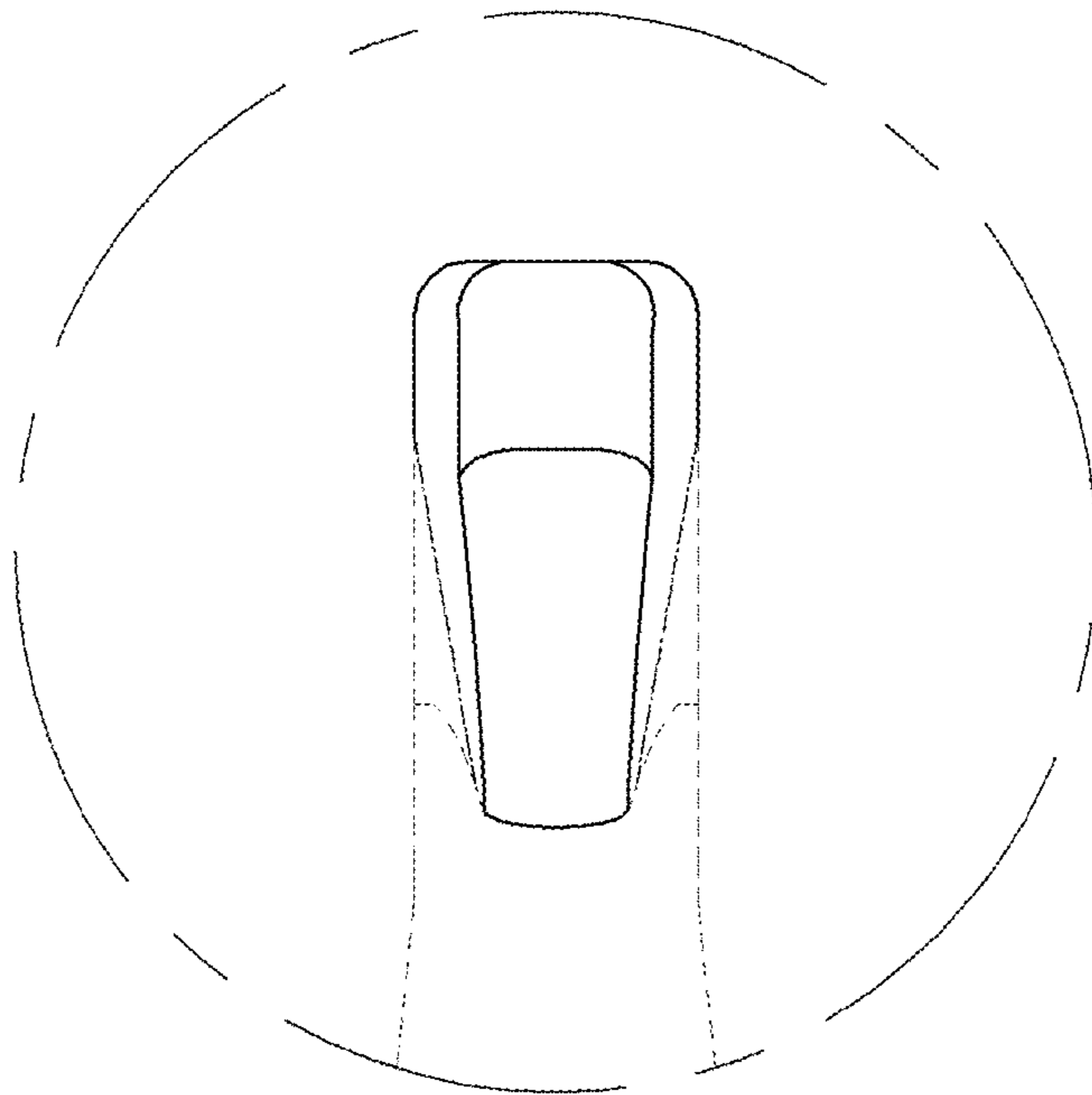


FIG. 11

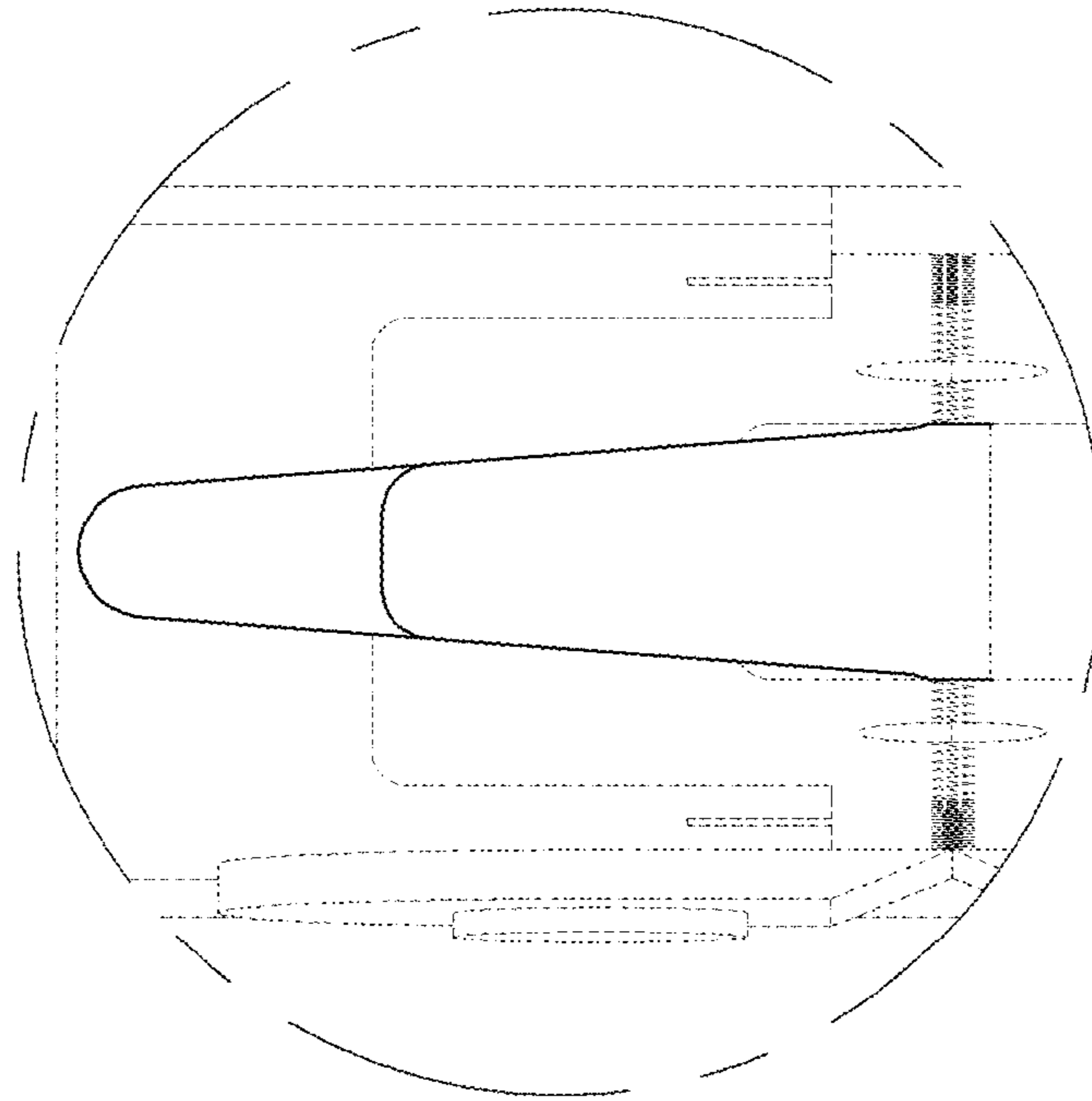


FIG. 12

