



US00D825709S

(12) **United States Design Patent** (10) **Patent No.:** **US D825,709 S**  
**Rubel** (45) **Date of Patent:** **\*\* Aug. 14, 2018**

- (54) **INSECT KILLING DEVICE**
- (71) Applicant: **PIC Corporation**, Linden, NJ (US)
- (72) Inventor: **Eric Rubel**, Linden, NJ (US)
- (73) Assignee: **PIC Corporation**, Linden, NJ (US)
- (\*\*) Term: **15 Years**
- (21) Appl. No.: **29/572,259**
- (22) Filed: **Jul. 26, 2016**
- (51) **LOC (11) Cl.** ..... **22-06**
- (52) **U.S. Cl.**  
USPC ..... **D22/122**
- (58) **Field of Classification Search**  
USPC ..... D22/122; D26/1, 2, 3, 4  
CPC ..... A01M 1/2016  
See application file for complete search history.

- D658,312 S \* 4/2012 Togawa ..... D26/2
- D663,869 S \* 7/2012 Choi ..... D26/2
- D674,922 S \* 1/2013 Huang ..... D26/2
- D728,131 S \* 4/2015 Hockemeyer ..... D26/2
- D731,682 S \* 6/2015 Bonnier ..... D26/2
- D767,798 S \* 9/2016 Ding ..... D26/2
- D769,475 S \* 10/2016 Moon ..... D26/2
- D786,390 S \* 5/2017 Kim ..... D22/122

\* cited by examiner

*Primary Examiner* — Karen S Acker  
*Assistant Examiner* — Steven B Reinholdt, Jr.  
(74) *Attorney, Agent, or Firm* — Fross Zelnick Lehrman & Zissu, P.C.; Charles T. J. Weigell, Esq.

(57) **CLAIM**

The ornamental design for an insect killing device, as shown and described.

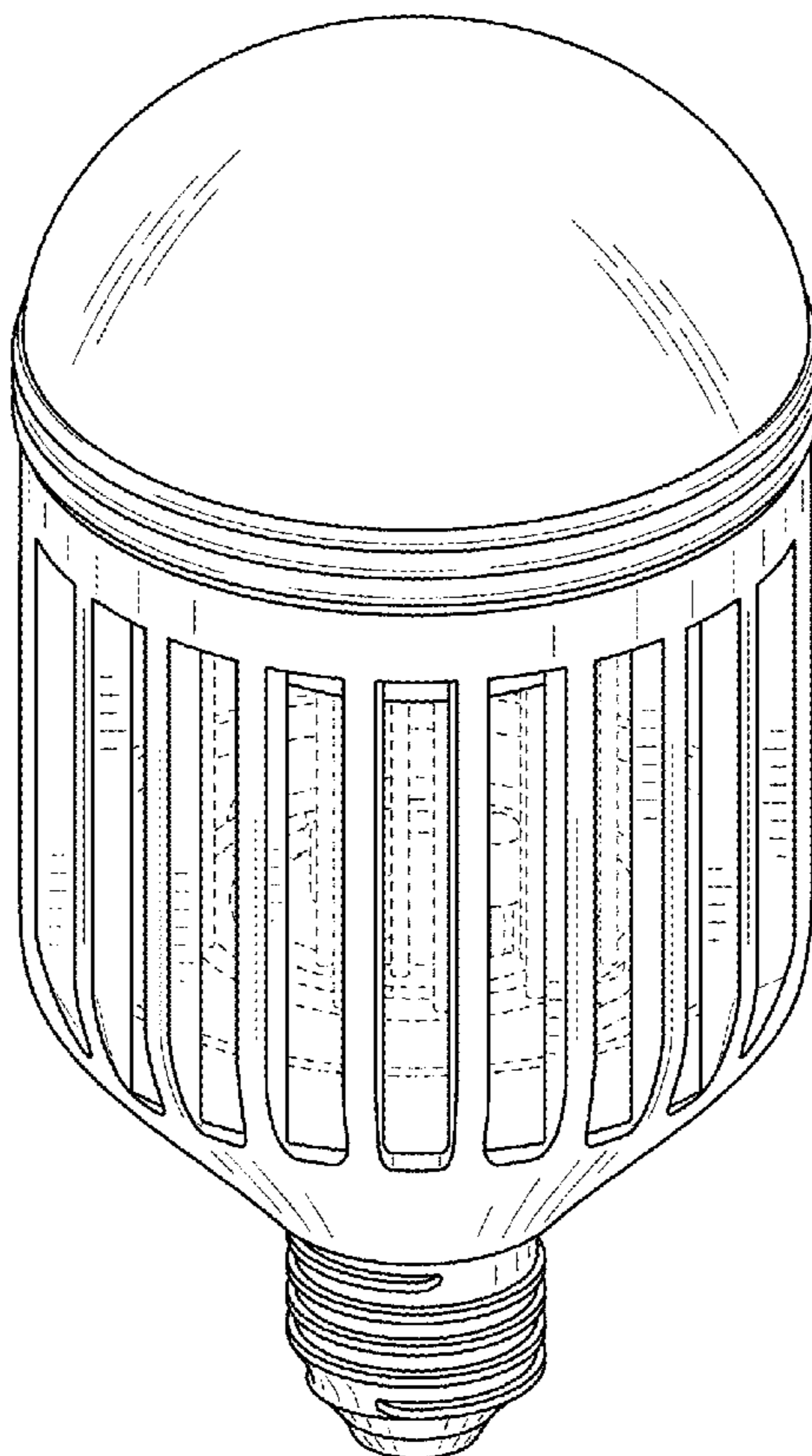
**DESCRIPTION**

FIG. 1 is a top perspective view of an insect killing device showing my new design;  
FIG. 2 is a front view thereof;  
FIG. 3 is a back view thereof;  
FIG. 4 is a left side view thereof;  
FIG. 5 is a right side view thereof;  
FIG. 6 is a top view thereof; and,  
FIG. 7 is a bottom view thereof.  
The broken lines depict portions of the insect killing device that form no part of the claim.

**1 Claim, 4 Drawing Sheets**

(56) **References Cited**  
U.S. PATENT DOCUMENTS

- D272,000 S \* 12/1983 Nanba ..... D26/26
- D274,560 S \* 7/1984 Young ..... D26/26
- D282,490 S \* 2/1986 Fujita ..... D26/26
- D287,288 S \* 12/1986 Fujita ..... D26/26
- D385,980 S \* 11/1997 Ossenmacher ..... D26/2
- D469,501 S \* 1/2003 Levine ..... D22/122
- D628,311 S \* 11/2010 Jiang ..... D26/2
- D629,536 S \* 12/2010 Prokop ..... D26/2



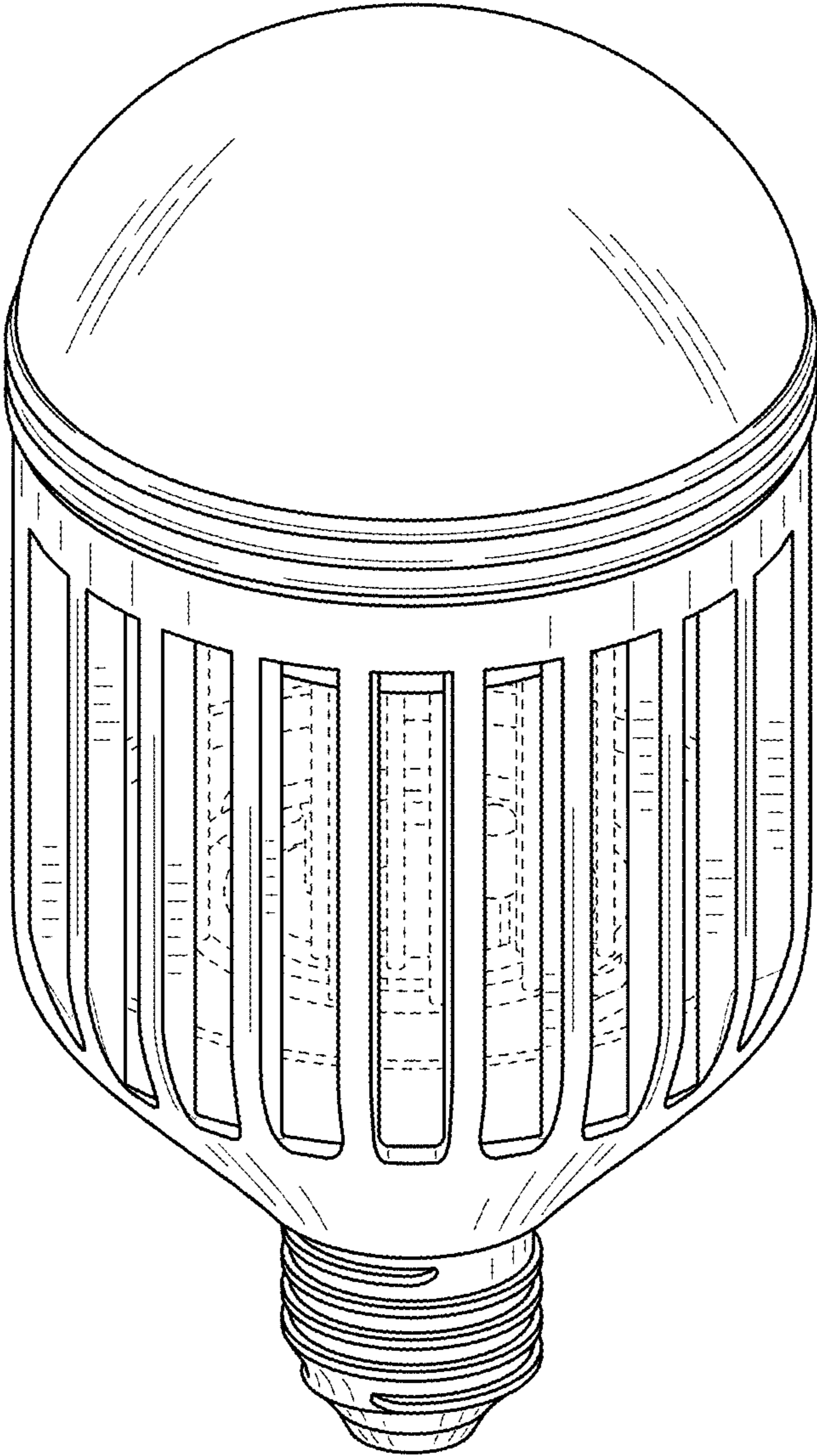


FIG. 1

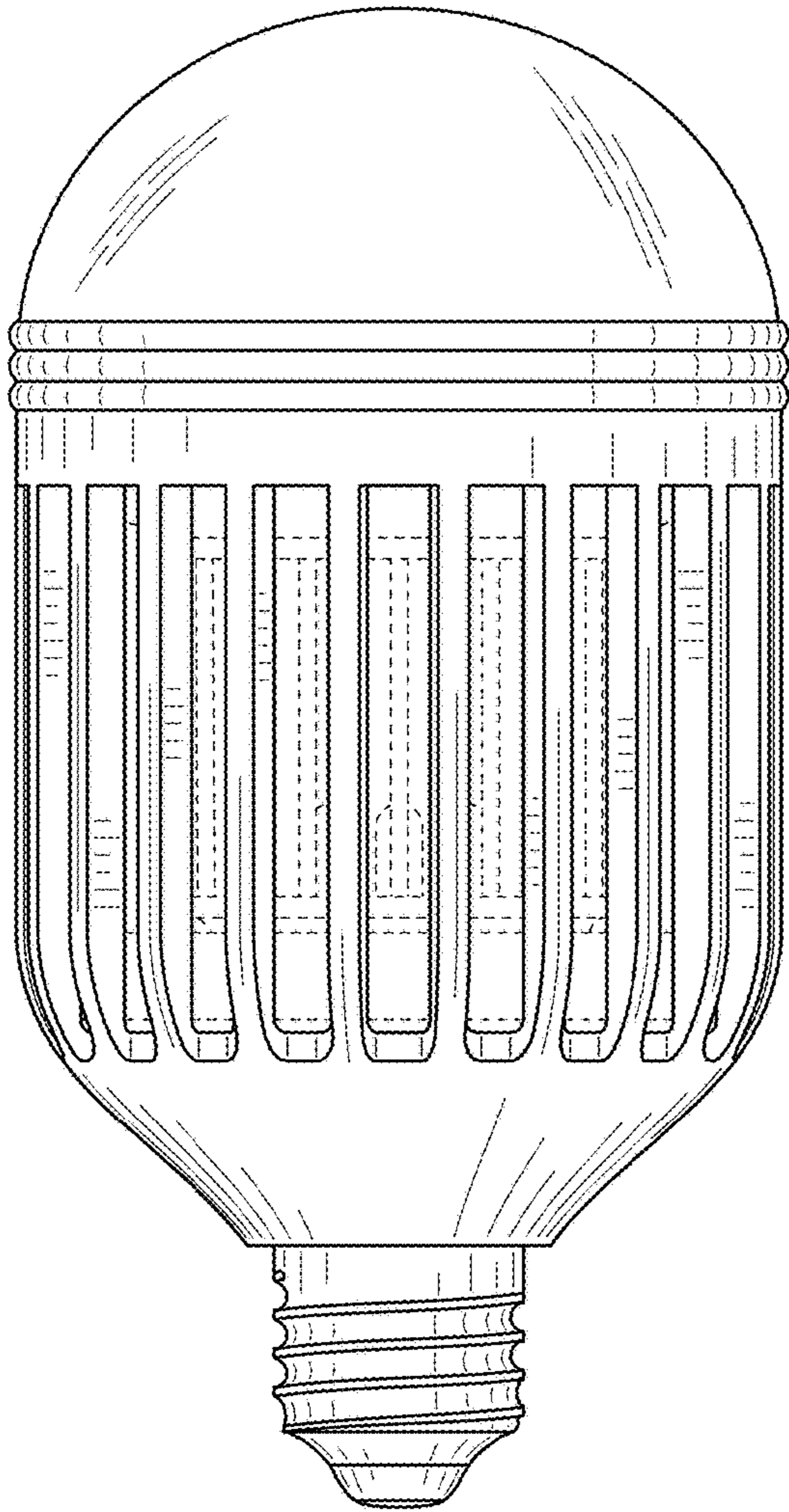


FIG. 2

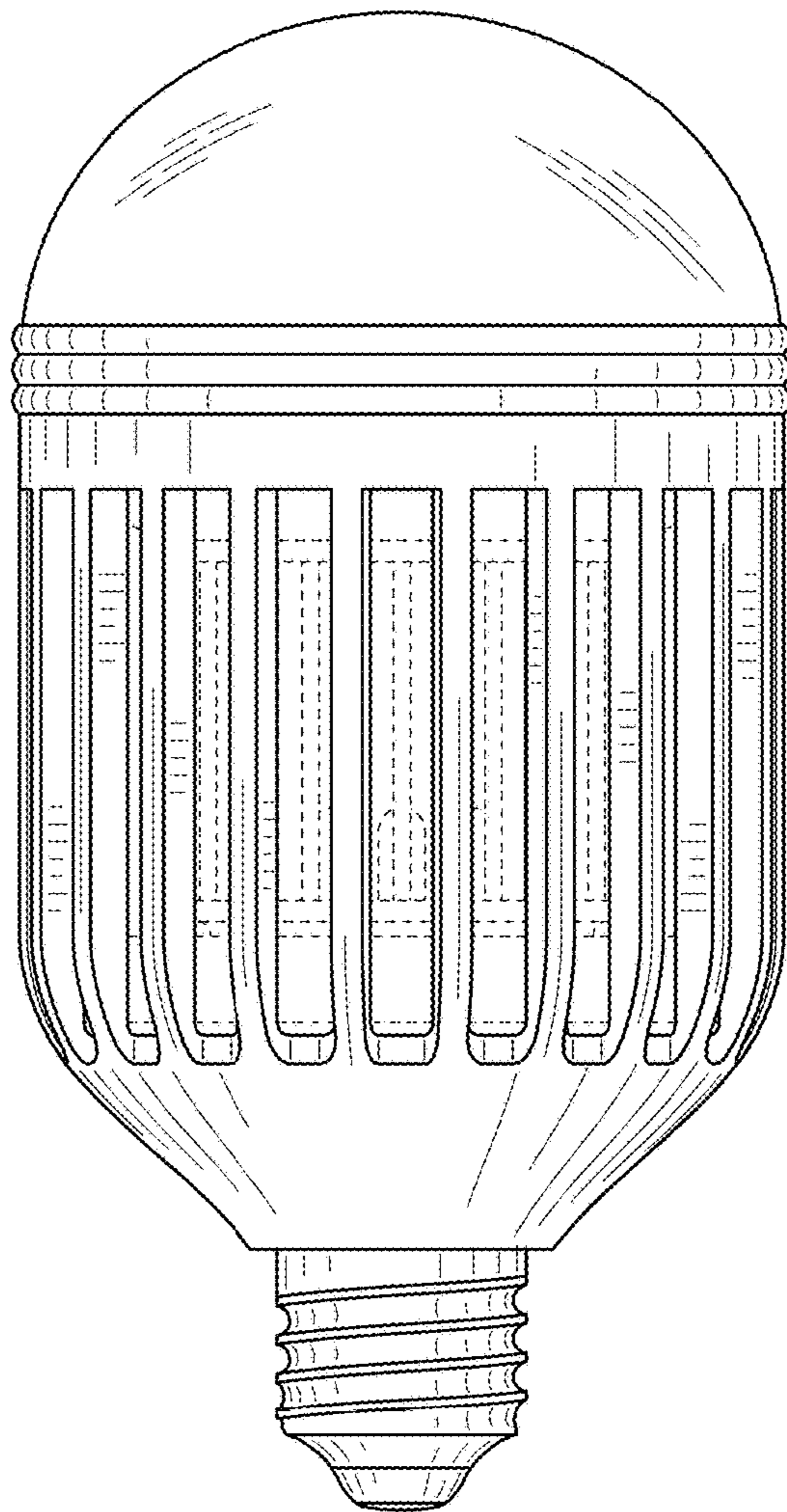


FIG. 3

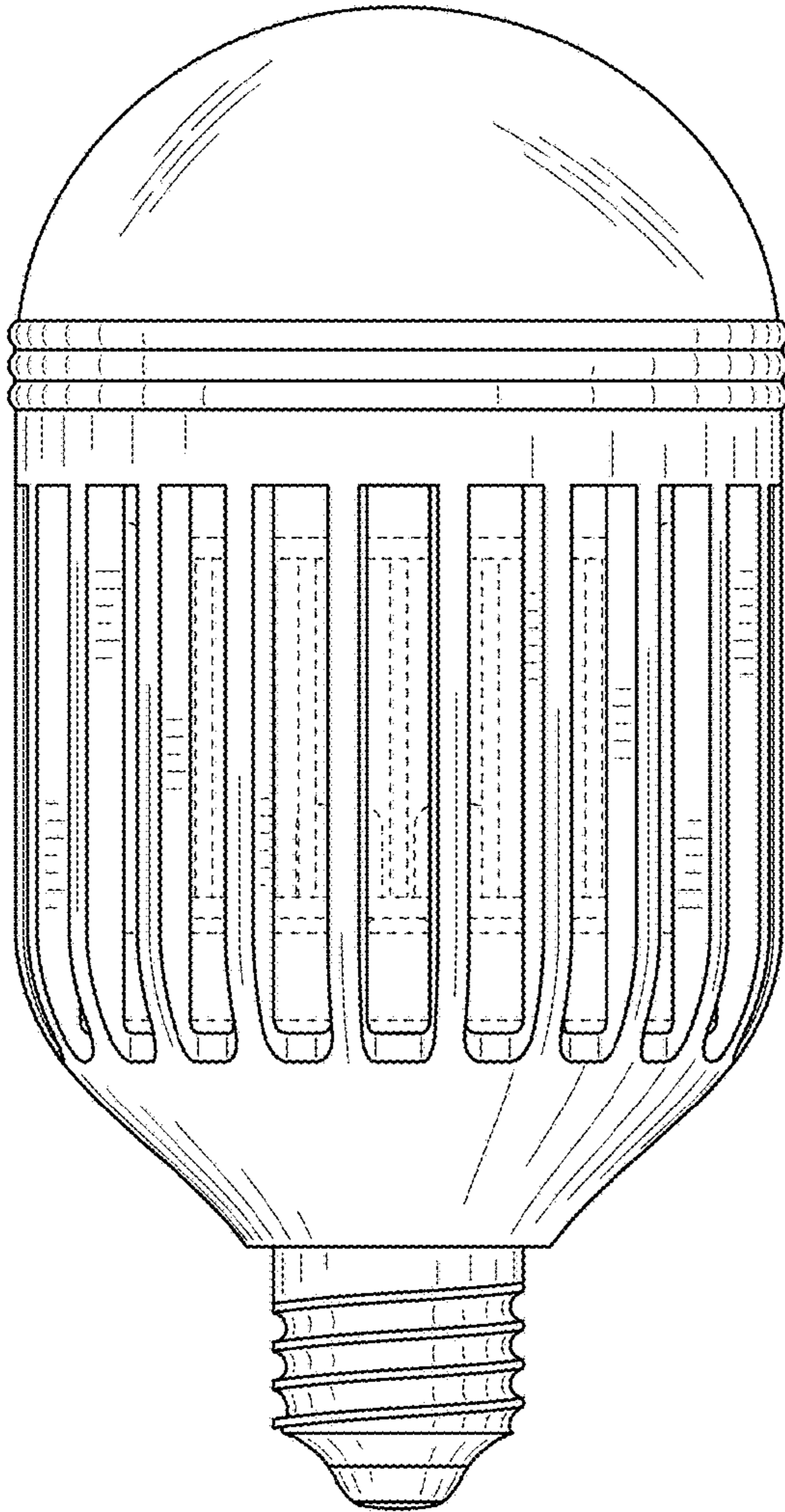


FIG. 4

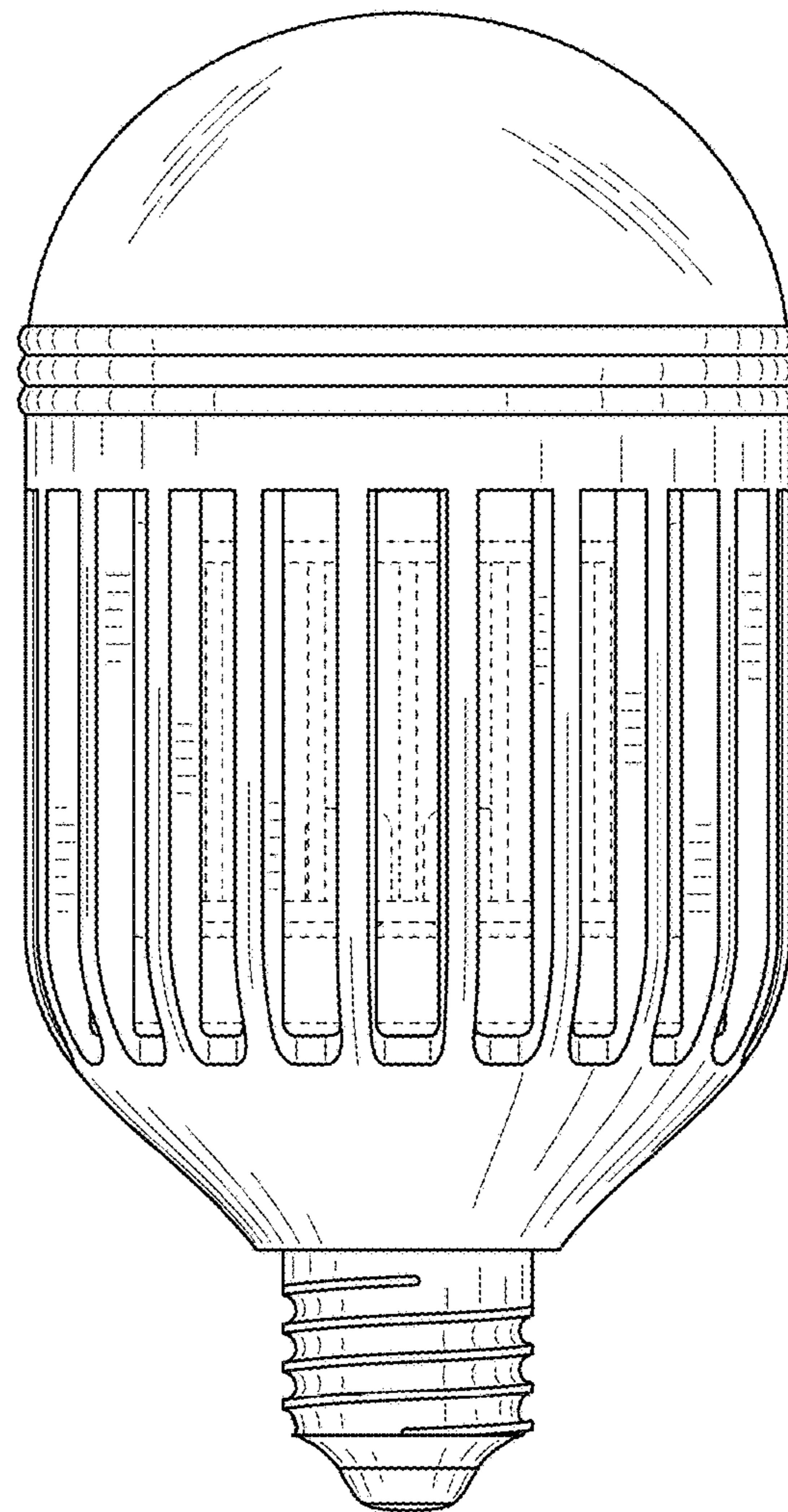


FIG. 5

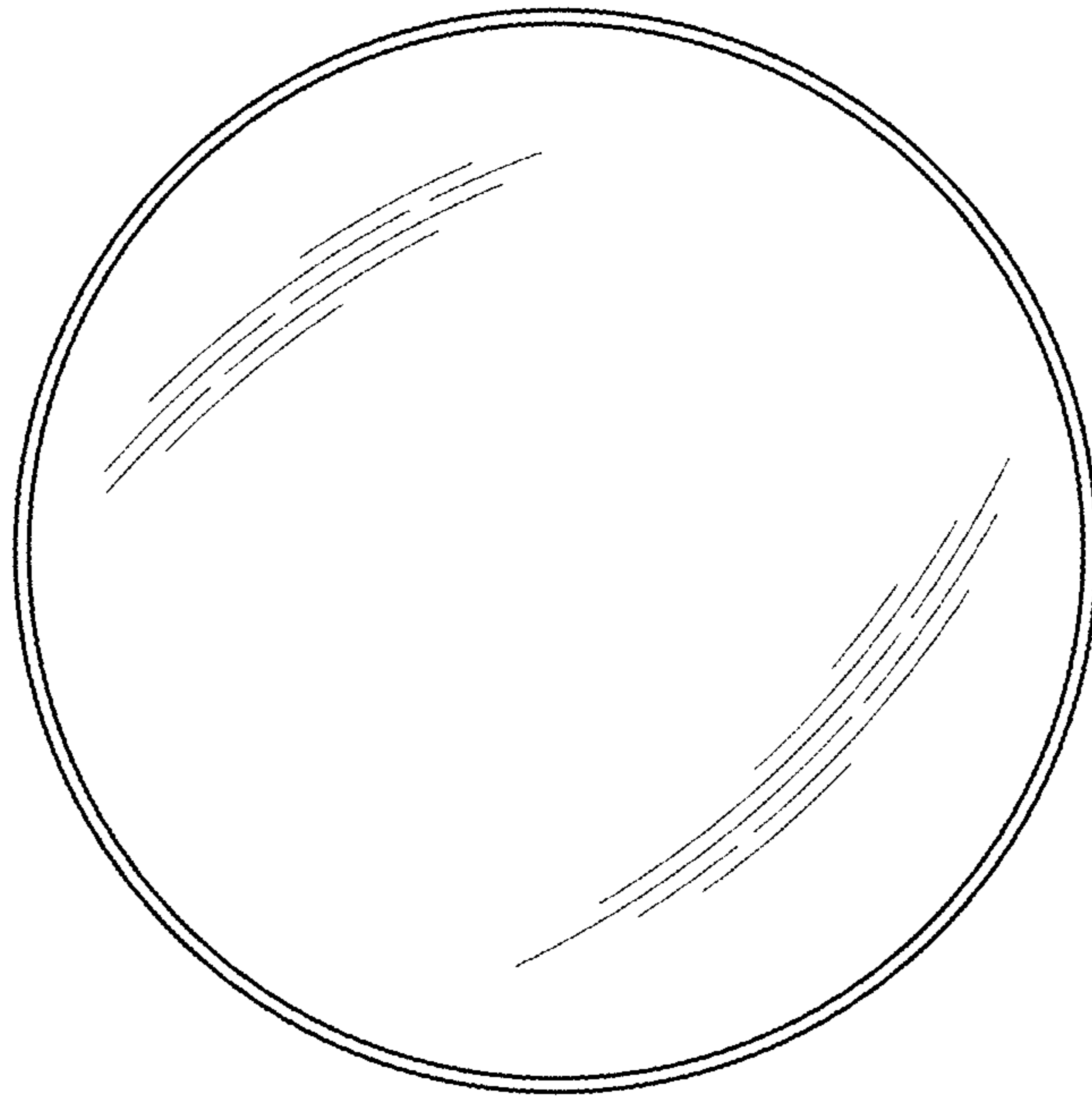


FIG. 6

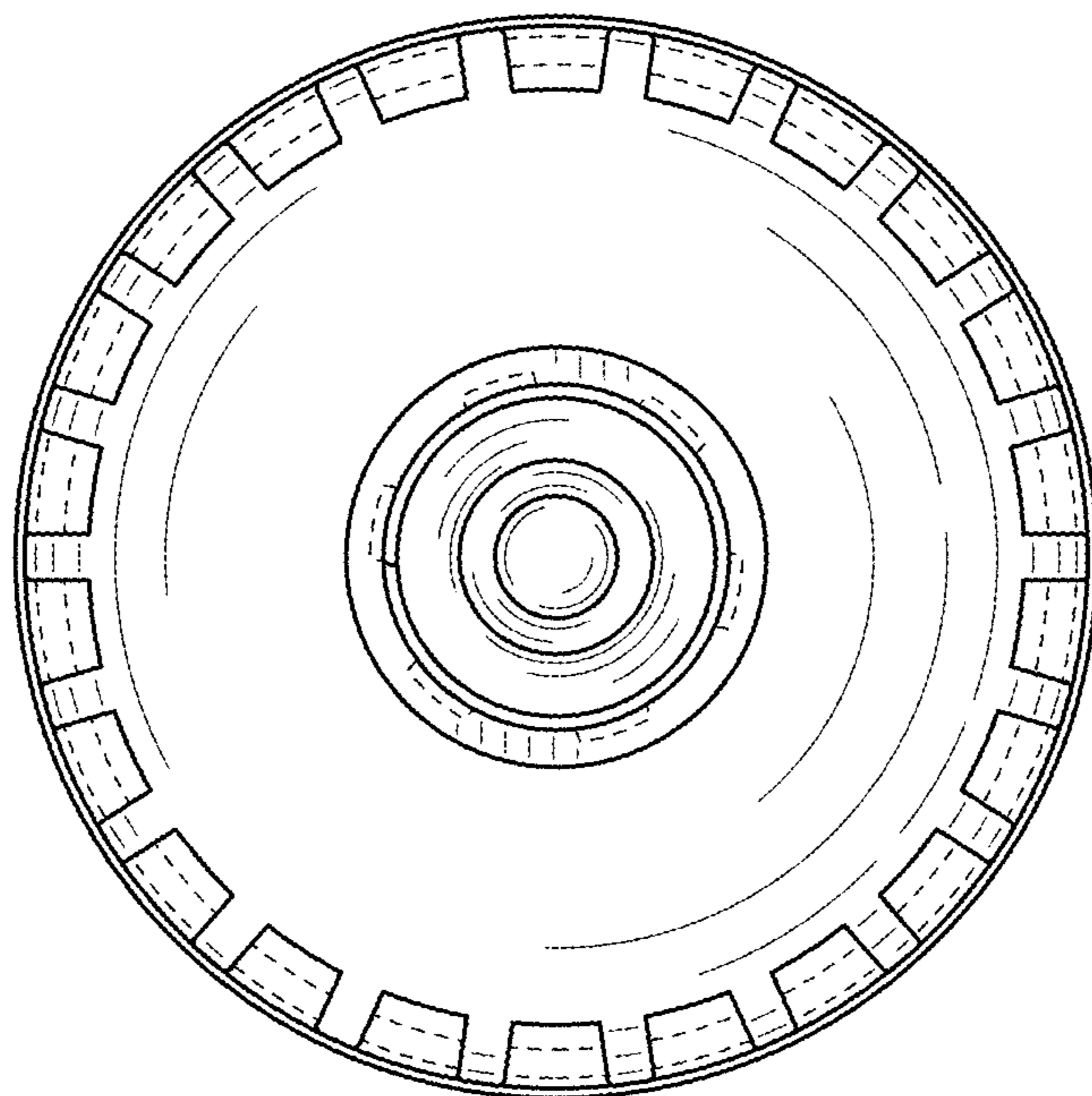


FIG. 7