



US00D825706S

(12) **United States Design Patent** (10) **Patent No.:** **US D825,706 S**
Xiao (45) **Date of Patent:** **** Aug. 14, 2018**

(54) **TENT**
(71) Applicant: **Yongkai Xiao**, Guangdong (CN)
(72) Inventor: **Yongkai Xiao**, Guangdong (CN)
(73) Assignee: **Yongkai Xiao**, Zhongshan (CN)

7,225,822 B1 * 6/2007 Zheng E04H 15/40
135/117
D802,226 S * 11/2017 Caputo D30/108
D813,583 S * 3/2018 Furuland D6/718.29
2002/0185395 A1 * 12/2002 Lindamood A45C 7/0077
206/320
2003/0111102 A1 * 6/2003 Henley A45B 19/00
135/125

(**) Term: **15 Years**

(21) Appl. No.: **29/597,440**

(22) Filed: **Mar. 17, 2017**

(51) **LOC (11) Cl.** **21-04**

(52) **U.S. Cl.**
USPC **D21/839**

(58) **Field of Classification Search**
USPC D21/834, 835, 836, 837, 838, 839, 840
CPC E04H 15/00; E04H 15/02; E04H 15/18;
E04H 15/28; E04H 15/32; E04H 15/34;
E04H 15/40; E04H 15/42; E04H 15/425;
E04H 15/50

See application file for complete search history.

(56) **References Cited**

U.S. PATENT DOCUMENTS

D318,706 S * 7/1991 Norman D21/837
D341,407 S * 11/1993 McLeese D21/837
5,467,794 A * 11/1995 Zheng A63B 9/00
135/117
D381,058 S * 7/1997 Lowenthal D21/838
D397,686 S * 9/1998 Bregman D14/239
D400,949 S * 11/1998 Gale D21/834
D401,983 S * 12/1998 Lowenthal D21/834
D412,354 S * 7/1999 Takos D21/837
6,109,281 A * 8/2000 Lowenthal E04H 15/003
135/117
6,325,086 B1 * 12/2001 Shinner E04H 15/40
135/117
D455,151 S * 4/2002 Lapresca D14/440
6,453,923 B2 * 9/2002 Zheng A63B 9/00
135/117
D530,719 S * 10/2006 Roubanis D14/449
D534,615 S * 1/2007 van Aalst D21/834

OTHER PUBLICATIONS

Portable Kiddies Protection Shelter Canopy [online] found on Apr. 4, 2018 from URL https://www.amazon.com/Portable-Kiddies-Protection-Shelter-Canopy/dp/B0792T5BNN/ref=pd_day0_468_10?_encoding=UTF8&pd_rd_i=B0792T5BNN&pd_rd_r=CPN8K2KG36F743PDJSB9&pd_rd_w=HB39G&pd_rd_wg=JzU9D&refRID=CPN8K2KG36F743PDJSB9 (Year: 2018).*

* cited by examiner

Primary Examiner — Robin V Webster

Assistant Examiner — Keith J Wilson

(74) *Attorney, Agent, or Firm* — ScienBiziP, P.C.

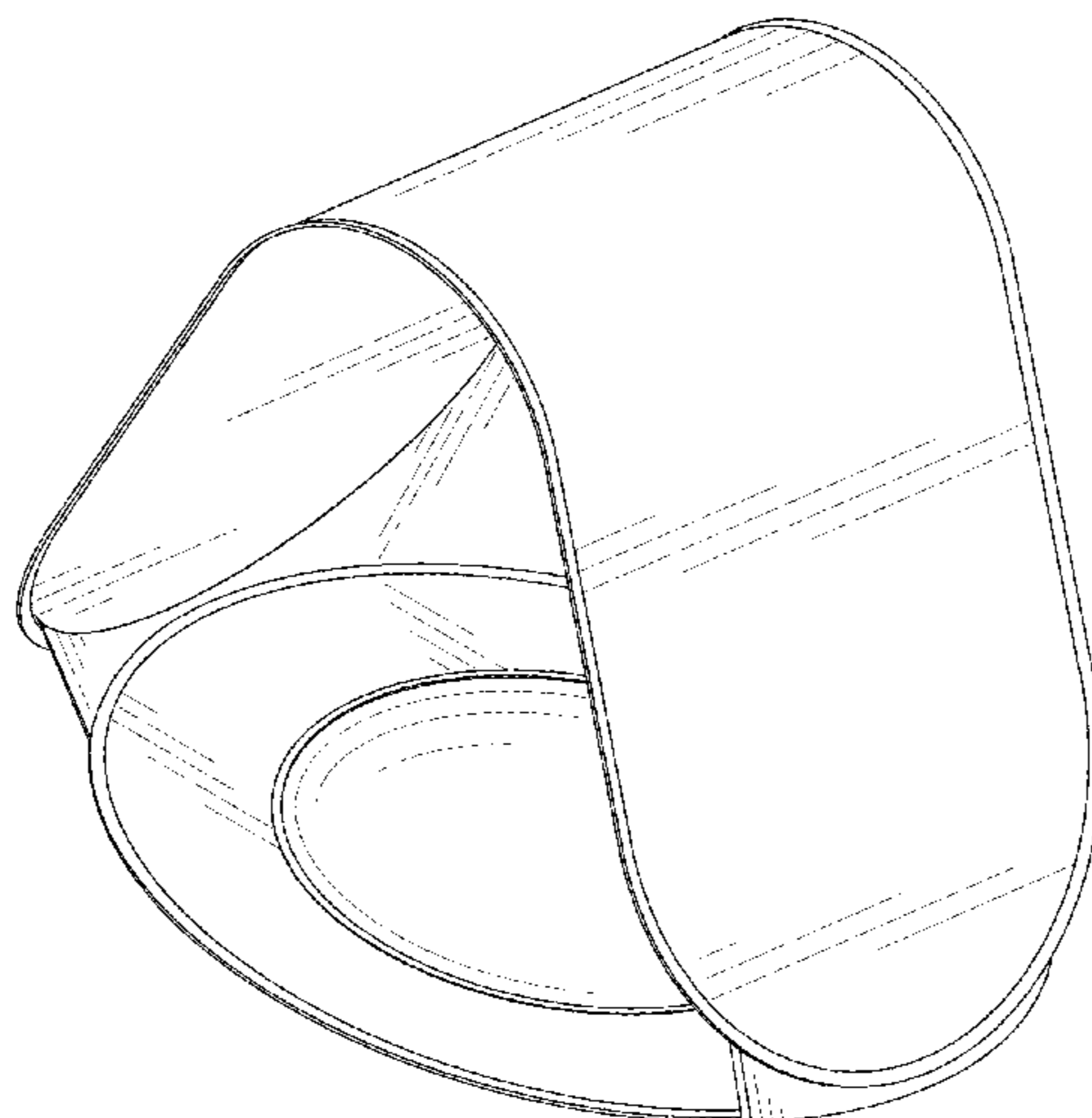
(57) **CLAIM**

The ornamental design for a tent, as shown and described.

DESCRIPTION

FIG. 1 is a first perspective view of a tent showing my new design;
FIG. 2 is a second perspective view thereof;
FIG. 3 is a front elevational view thereof;
FIG. 4 is a rear elevational view thereof;
FIG. 5 is a left side view thereof;
FIG. 6 is a right side view thereof;
FIG. 7 is a top plan view thereof; and,
FIG. 8 is a bottom plan view thereof.
The broken lines in the drawings illustrate portions of the tent which form no part of the claimed design.

1 Claim, 8 Drawing Sheets



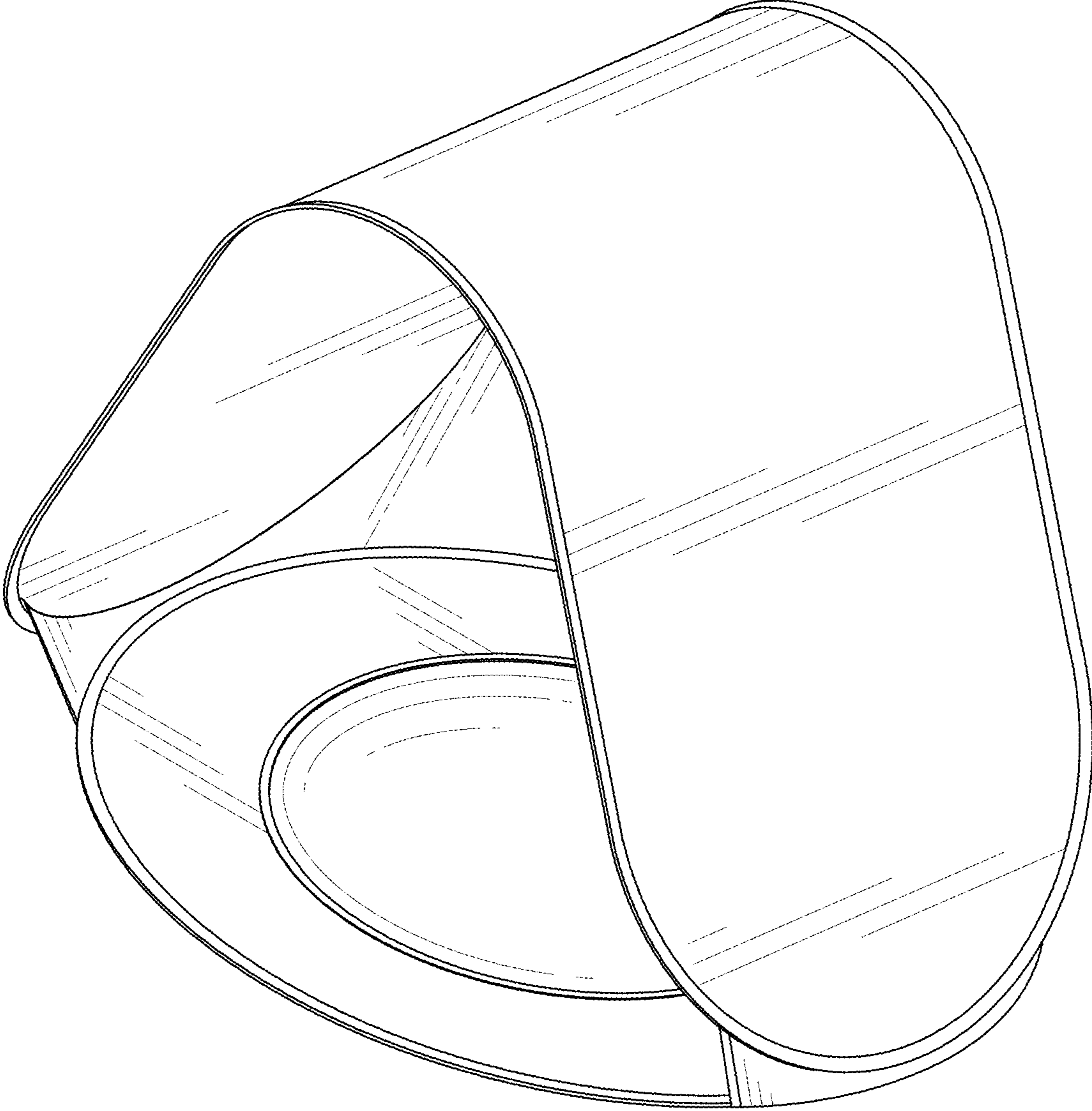


FIG. 1

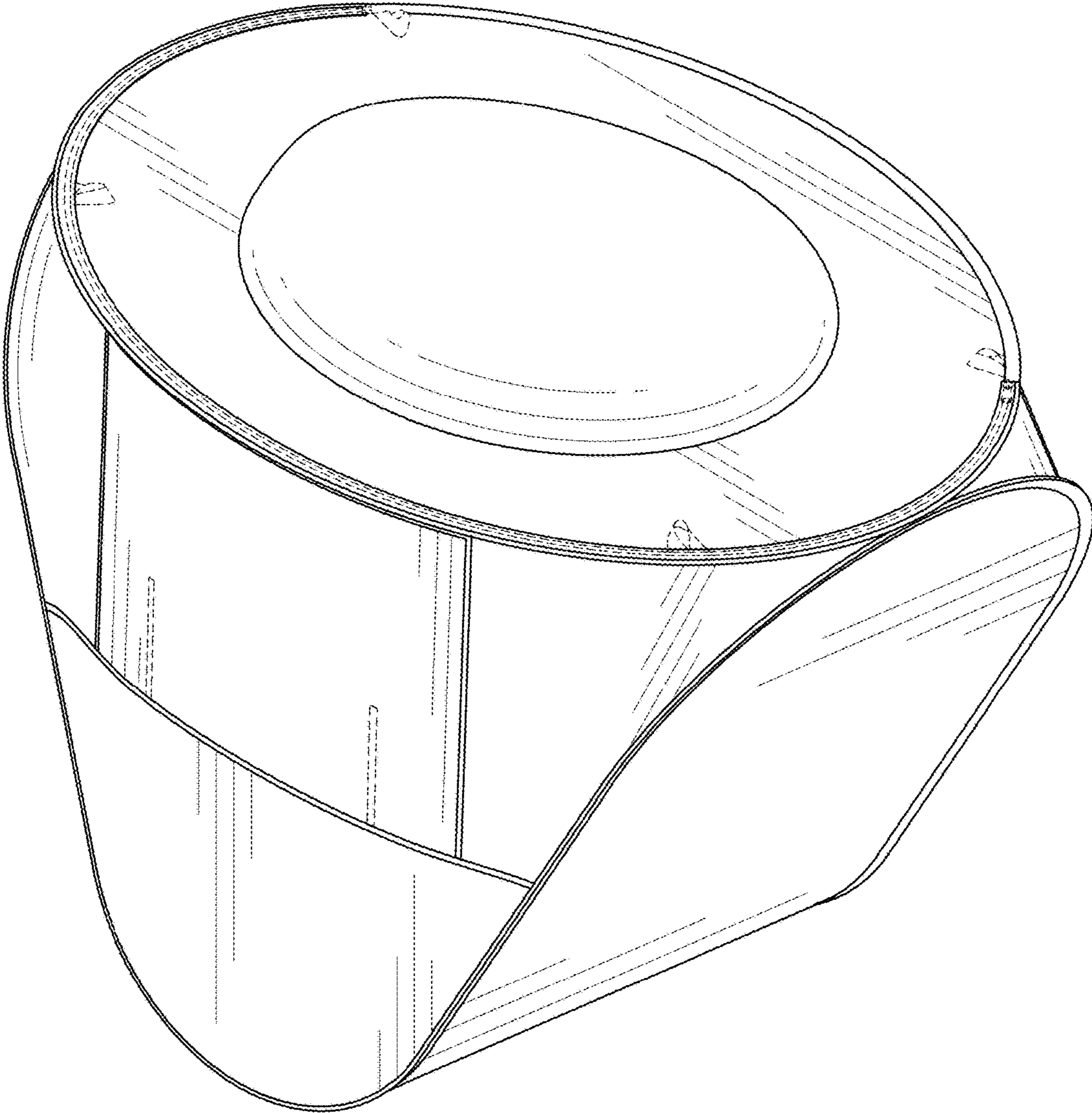


FIG. 2

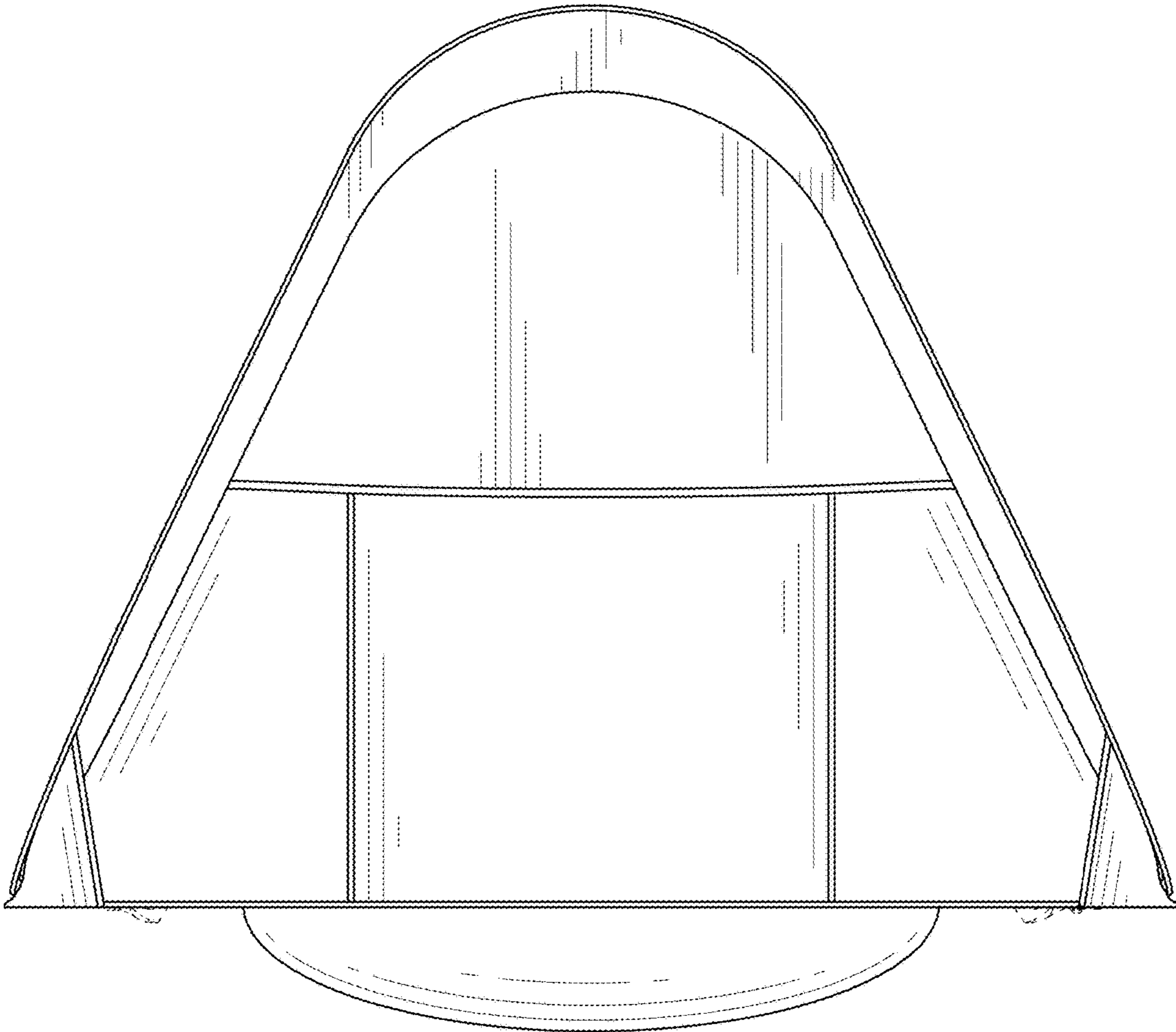


FIG. 3

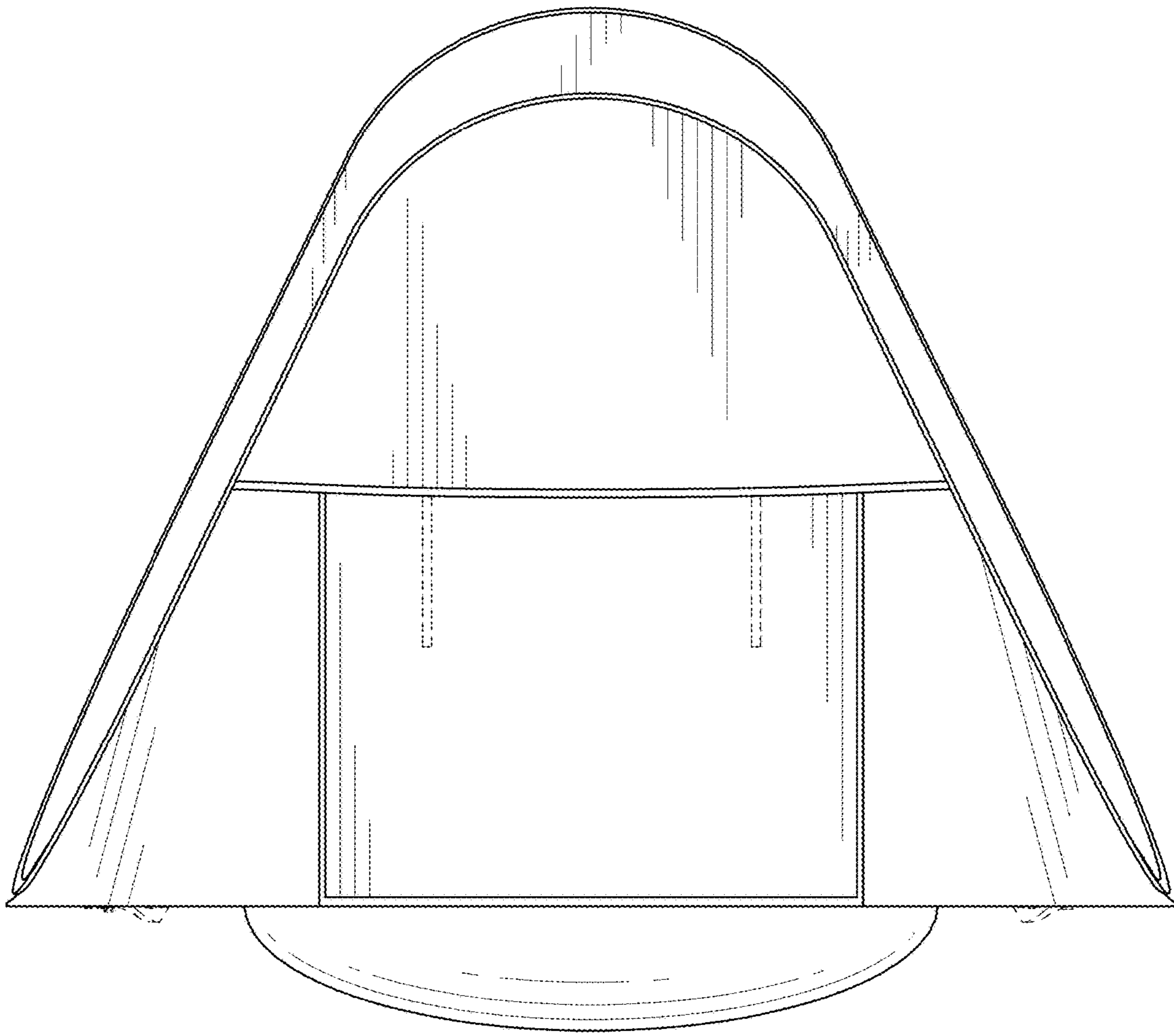


FIG. 4

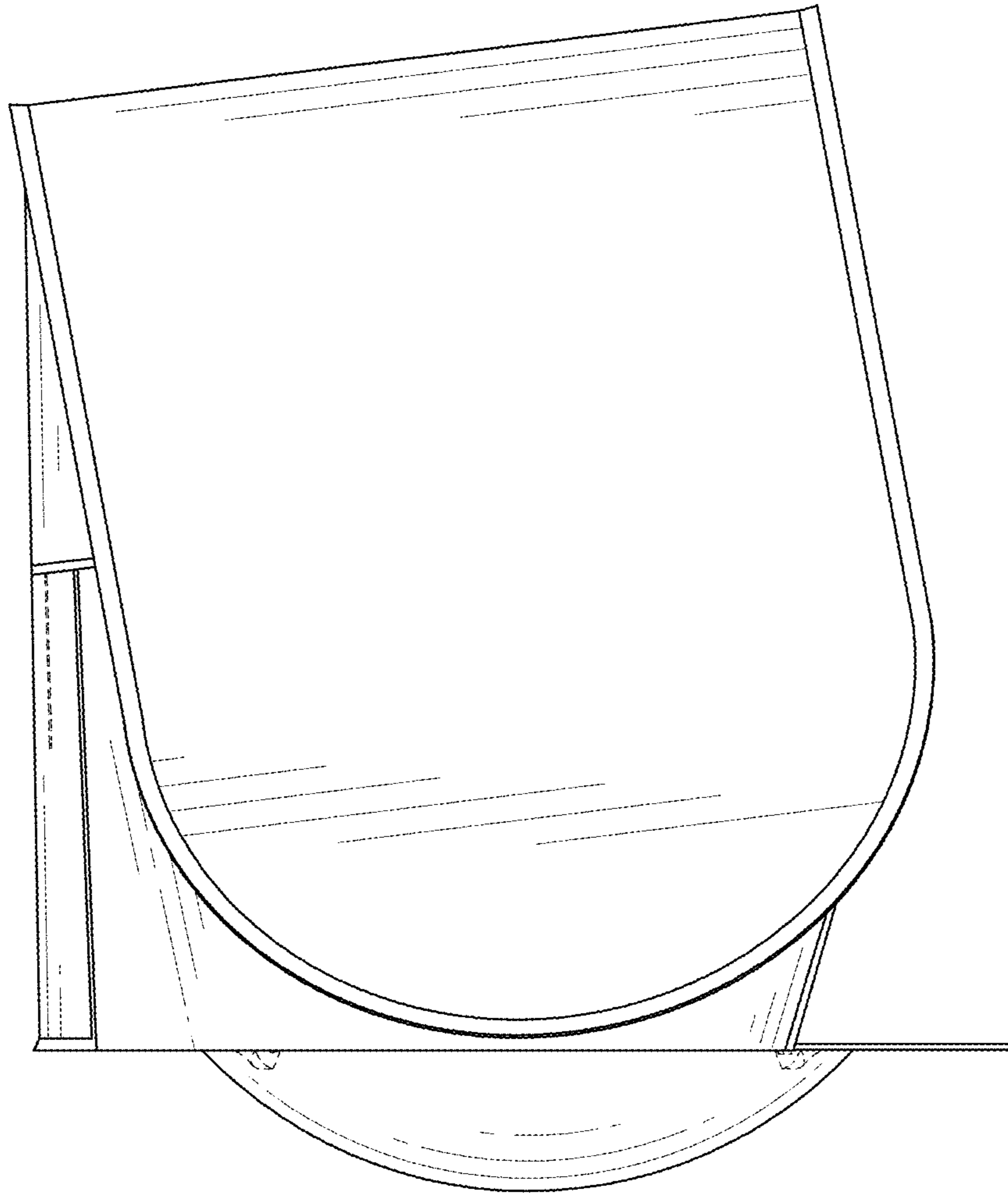


FIG. 5

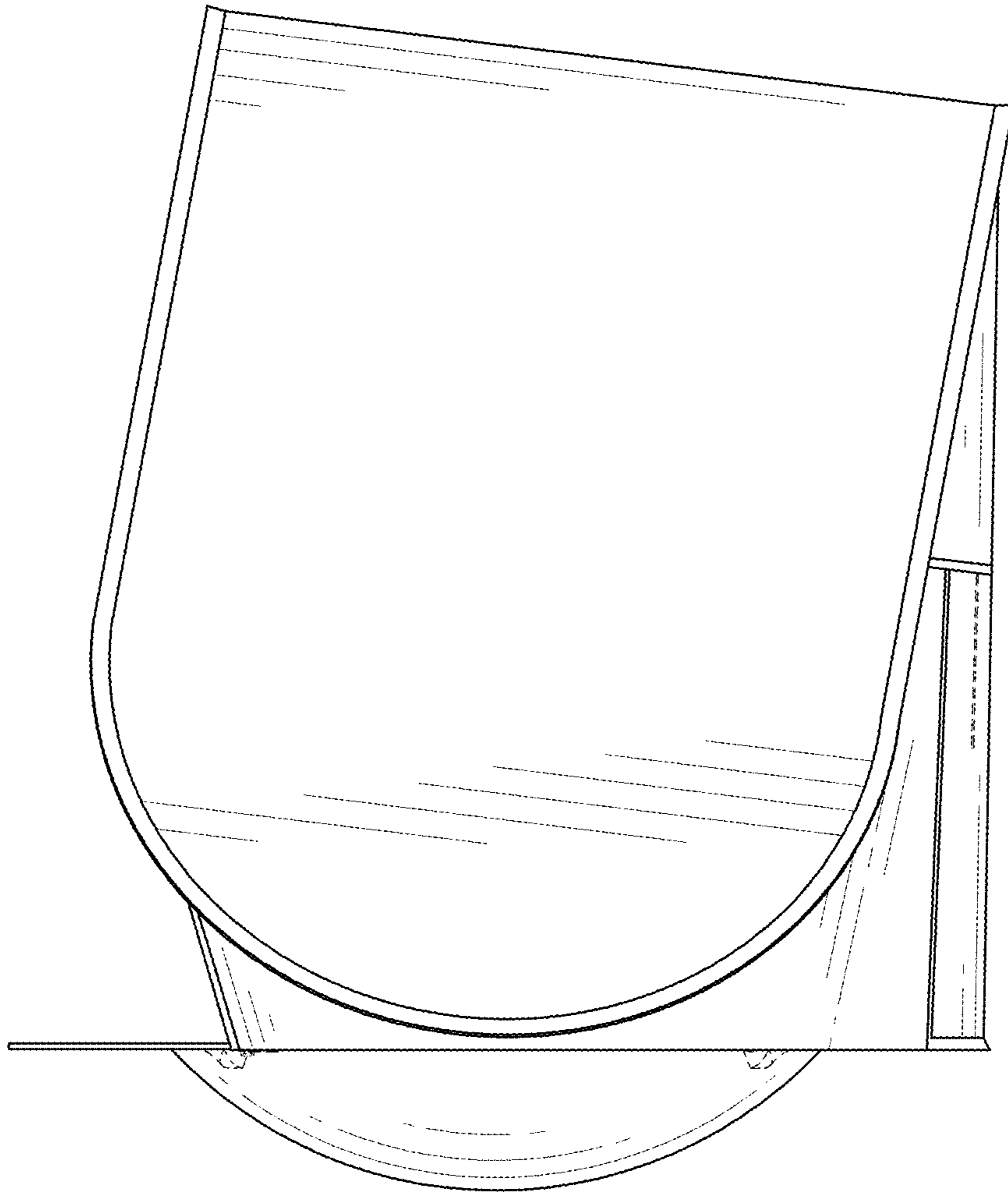


FIG. 6

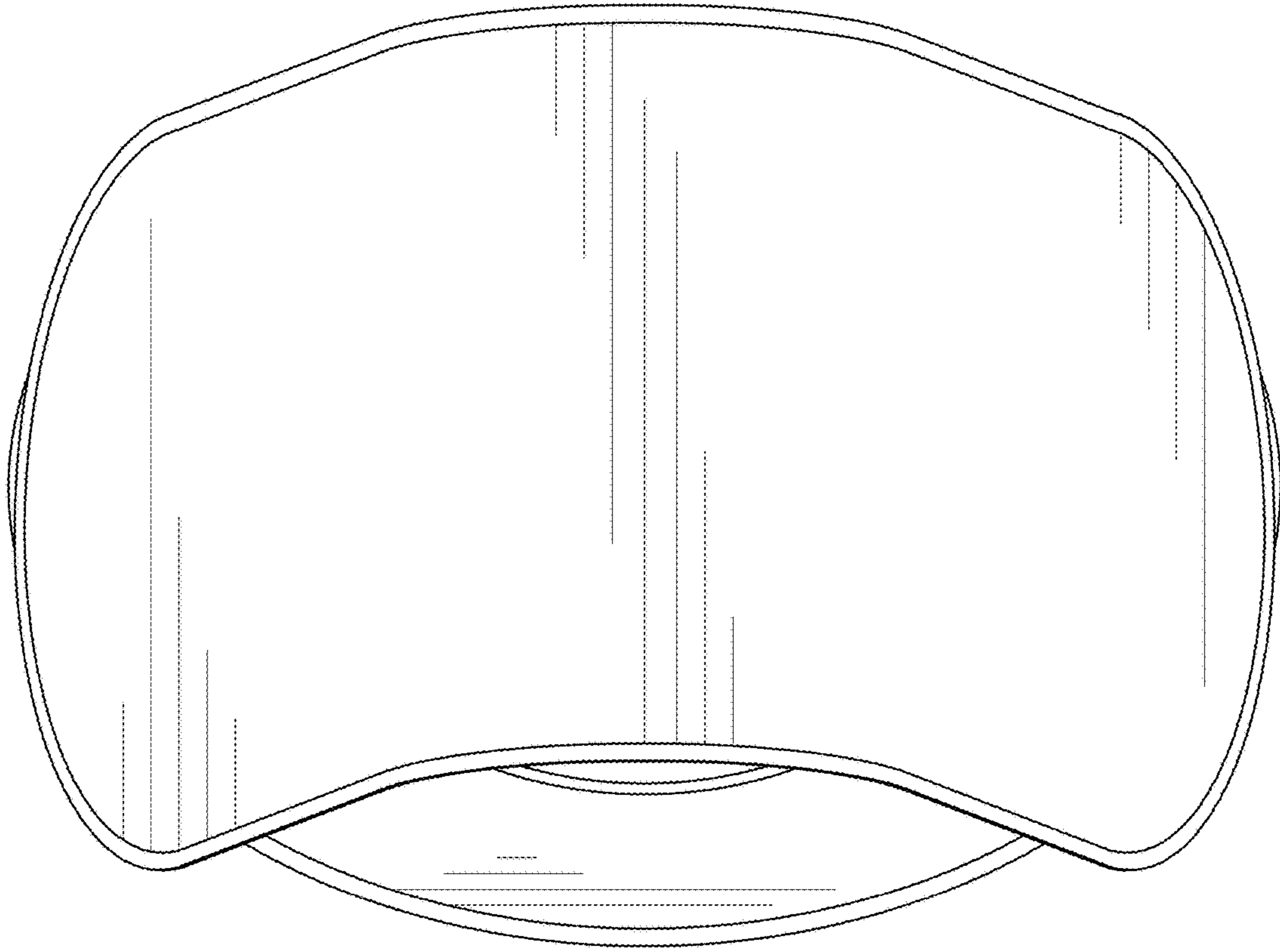


FIG. 7

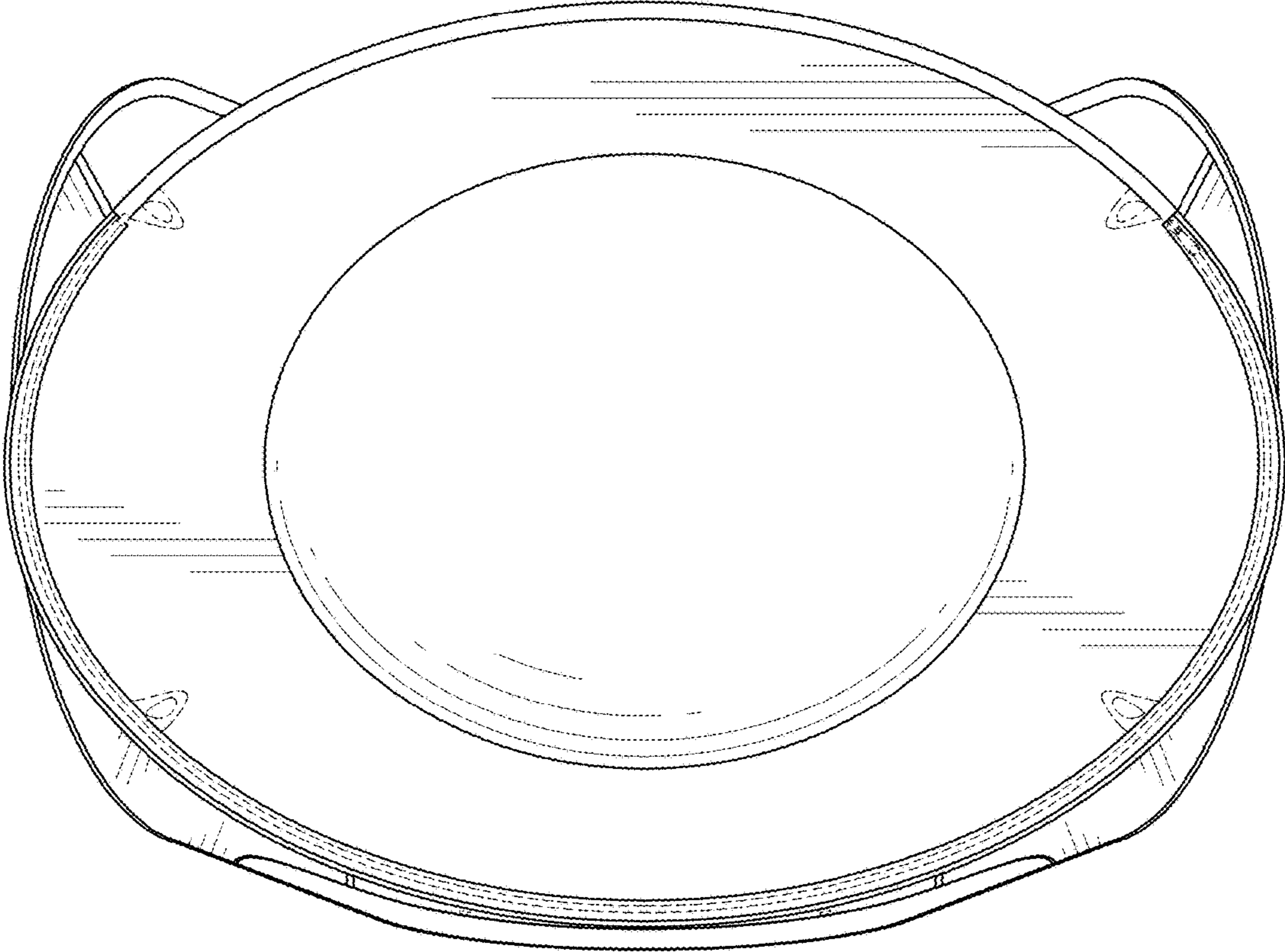


FIG. 8