



US00D825704S

(12) **United States Design Patent**
Shirley-Smith

(10) **Patent No.:** **US D825,704 S**
(45) **Date of Patent:** **** Aug. 14, 2018**

- (54) **TENT MAT**
- (71) Applicant: **TENTSILE LTD**, London (GB)
- (72) Inventor: **Alex Shirley-Smith**, London (GB)
- (**) Term: **15 Years**
- (21) Appl. No.: **29/596,390**
- (22) Filed: **Mar. 8, 2017**
- (51) **LOC (11) Cl.** **21-04**
- (52) **U.S. Cl.**
USPC **D21/834**
- (58) **Field of Classification Search**
USPC D21/834, 835, 836, 837, 838, 839, 840
CPC E04H 15/00; E04H 15/02; E04H 15/18;
E04H 15/28; E04H 15/32; E04H 15/34;
E04H 15/40; E04H 15/42; E04H 15/425;
E04H 15/50
See application file for complete search history.

- D755,322 S * 5/2016 Shirley-Smith D21/839
- D768,797 S * 10/2016 Shirley-Smith D21/834
- D774,614 S * 12/2016 Shirley-Smith D21/834
- D781,389 S * 3/2017 Shirley-Smith D21/839
- D804,835 S * 12/2017 Wehner D6/347

* cited by examiner

Primary Examiner — Robin V Webster

Assistant Examiner — Keith J Wilson

(74) *Attorney, Agent, or Firm* — Michael J. Feigin, Esq.;
Feigin and Fridman

(57) **CLAIM**

The ornamental design for a tent mat, as shown and described.

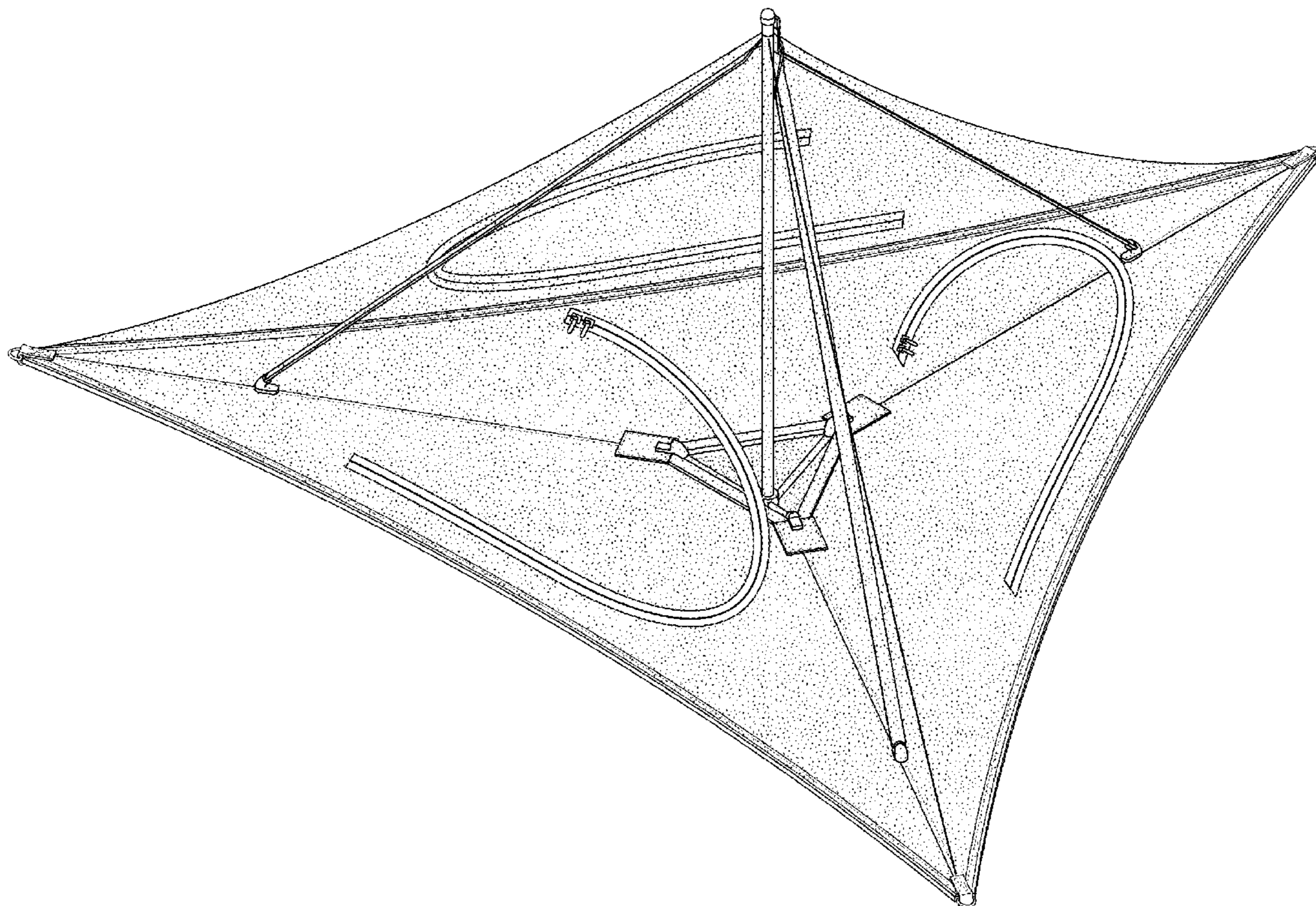
DESCRIPTION

FIG. 1 shows a top perspective view of a tent mat.
 FIG. 2 shows a bottom perspective view thereof.
 FIG. 3 shows a top plan view thereof.
 FIG. 4 shows a bottom plan view thereof.
 FIG. 5 shows a side elevation view thereof.
 FIG. 6 shows a second side elevation view thereof; and,
 FIG. 7 shows a rear elevation view thereof.
 The broken line shown represents stitching and forms part of the claimed design.

(56) **References Cited**
U.S. PATENT DOCUMENTS

- D711,999 S * 8/2014 Shirley-Smith D21/837
- D721,153 S * 1/2015 Shirley-Smith D21/837

1 Claim, 7 Drawing Sheets



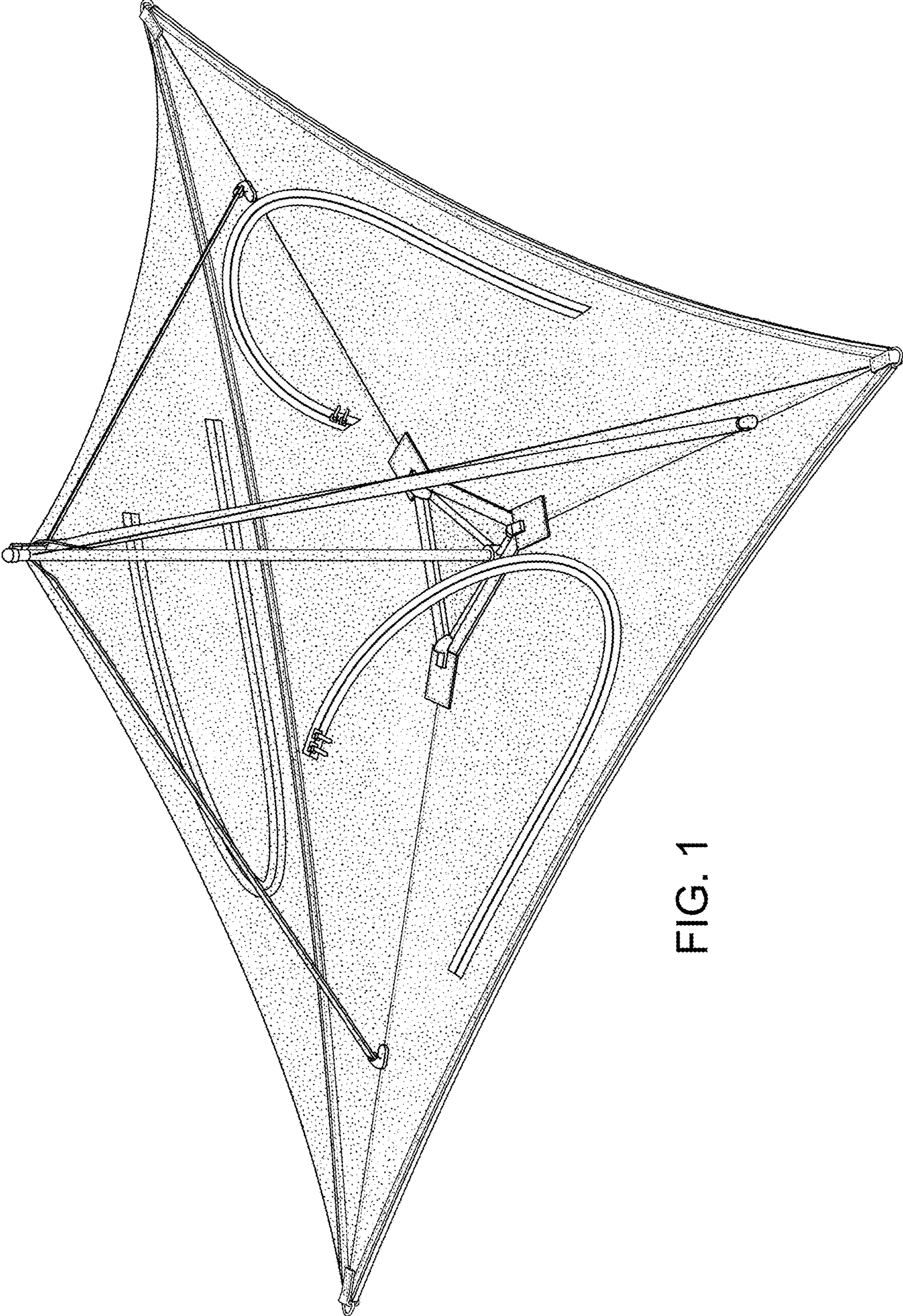


FIG. 1

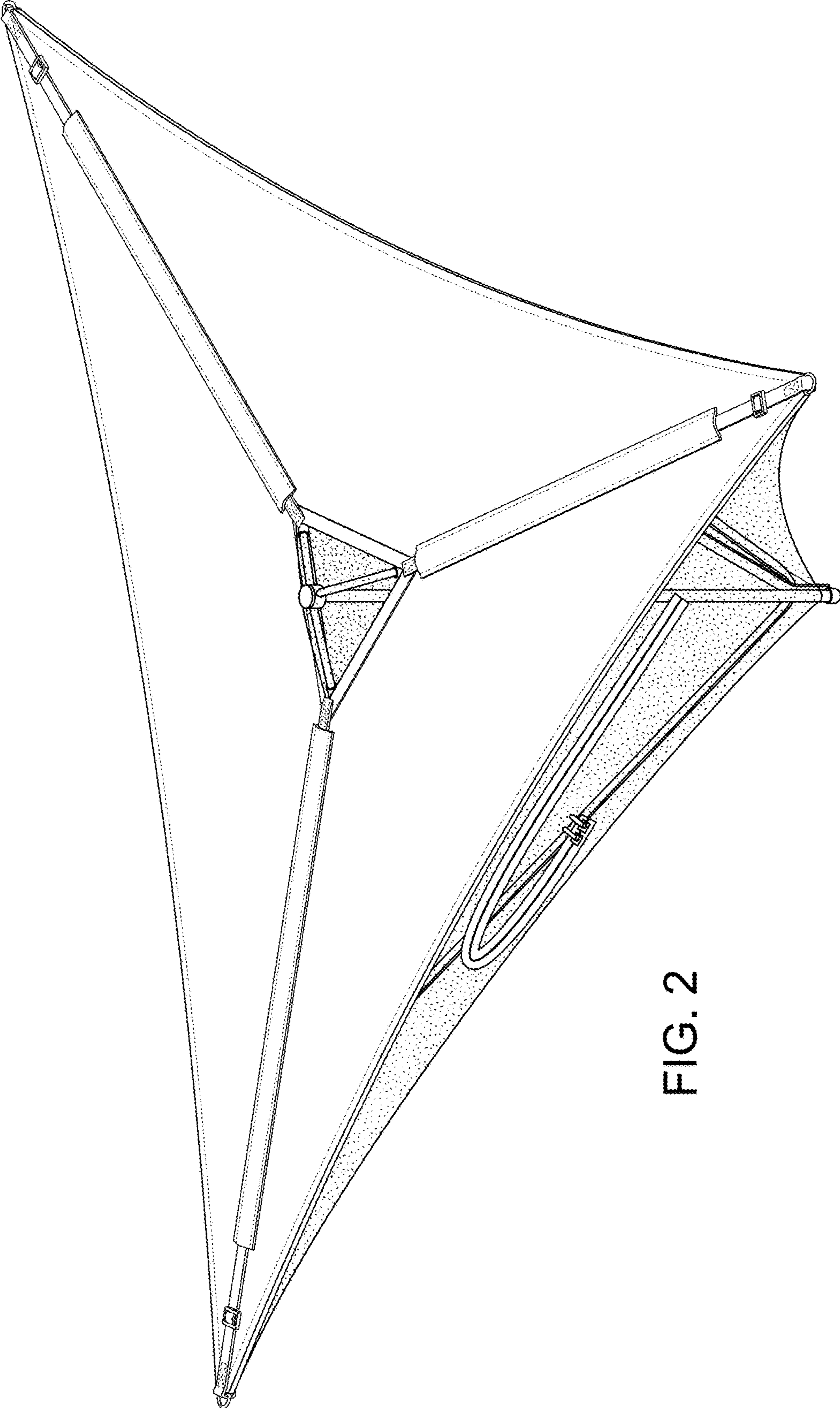


FIG. 2

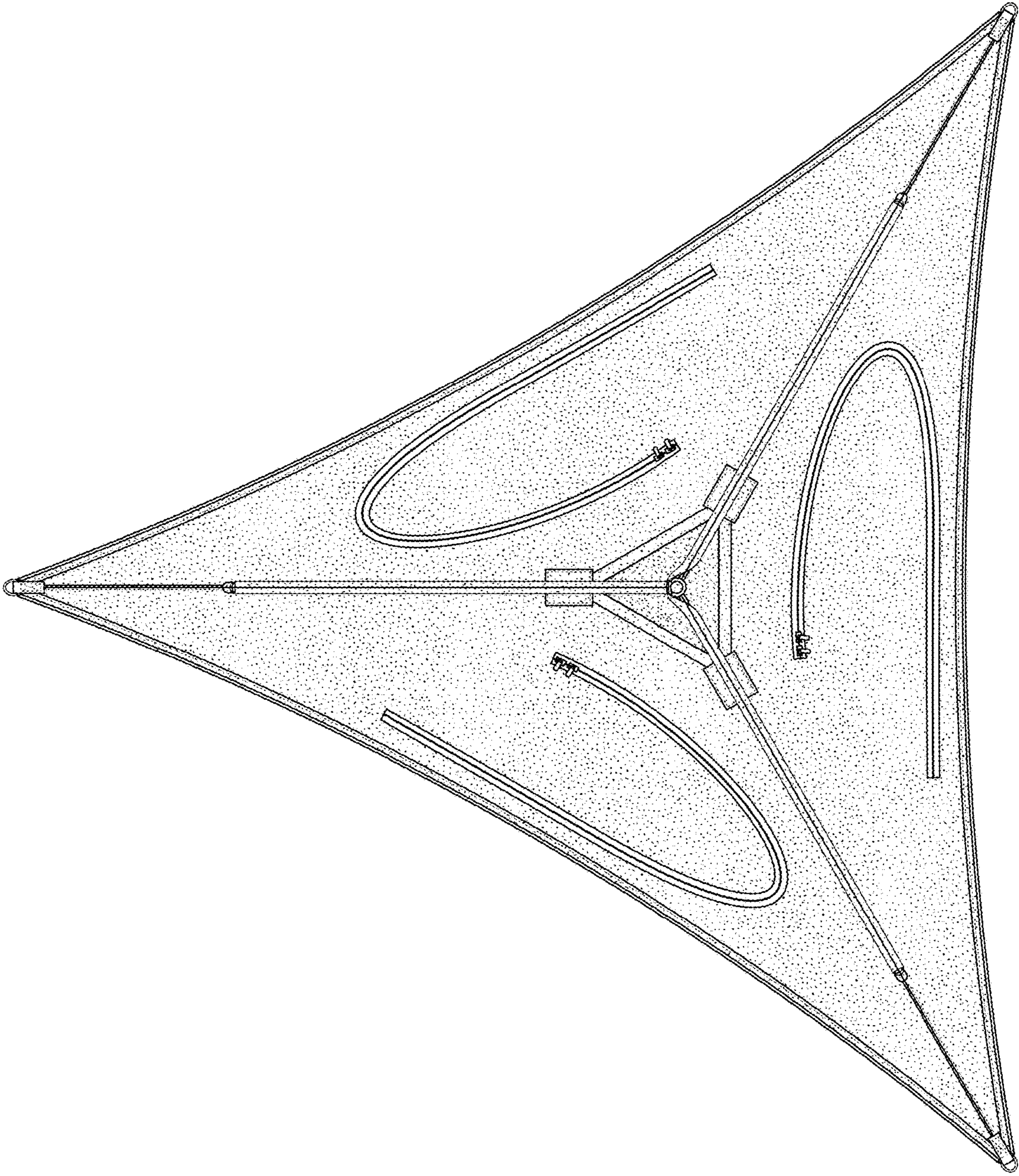


FIG. 3

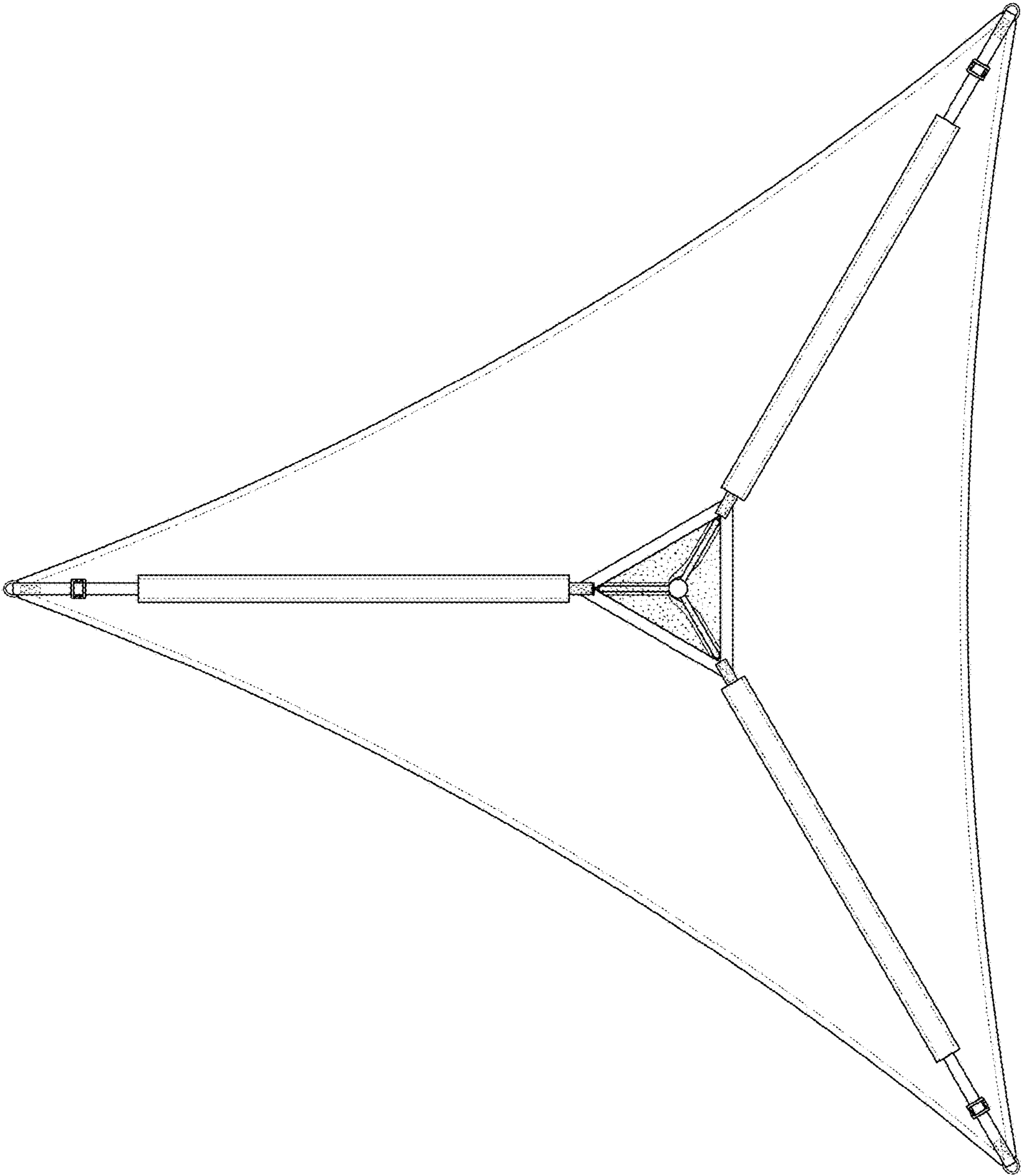


FIG. 4

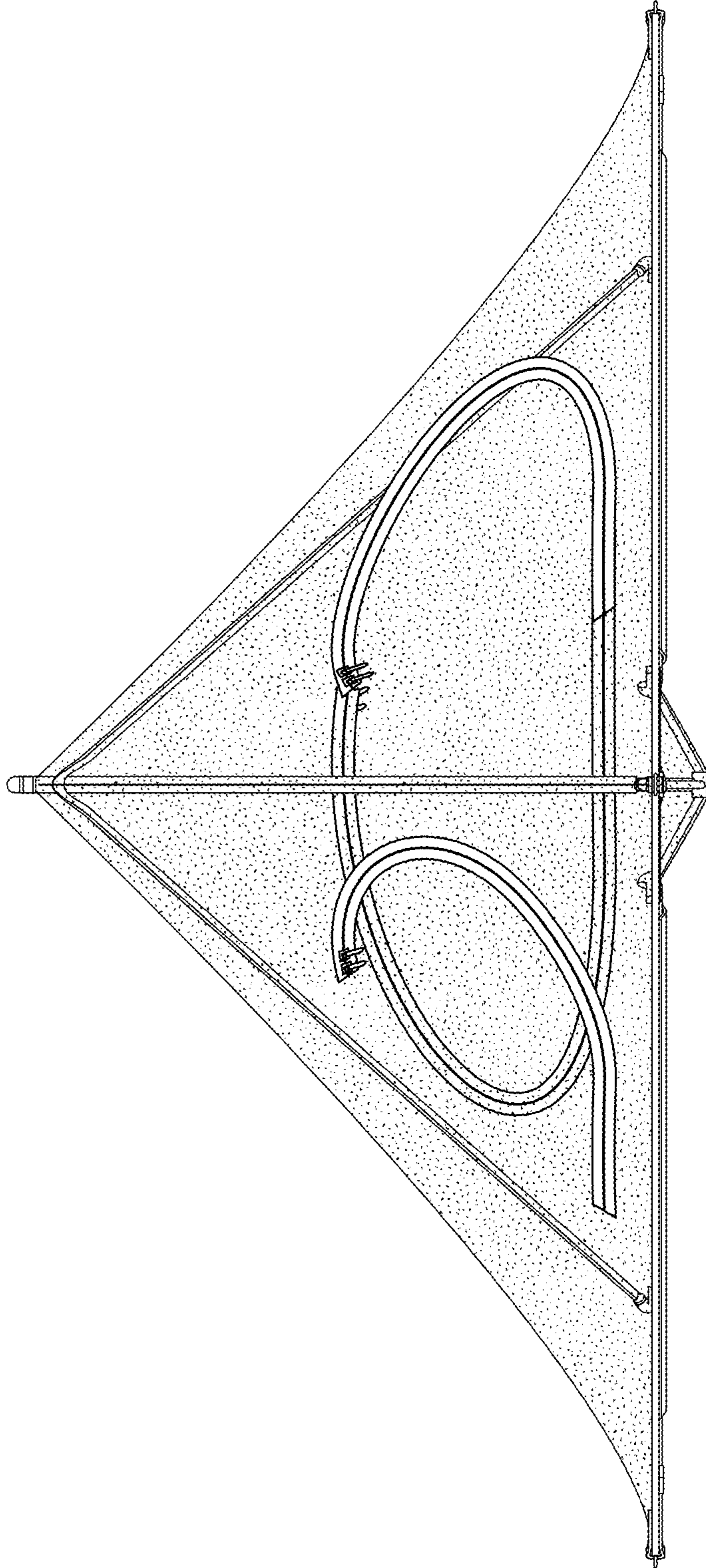


FIG. 5

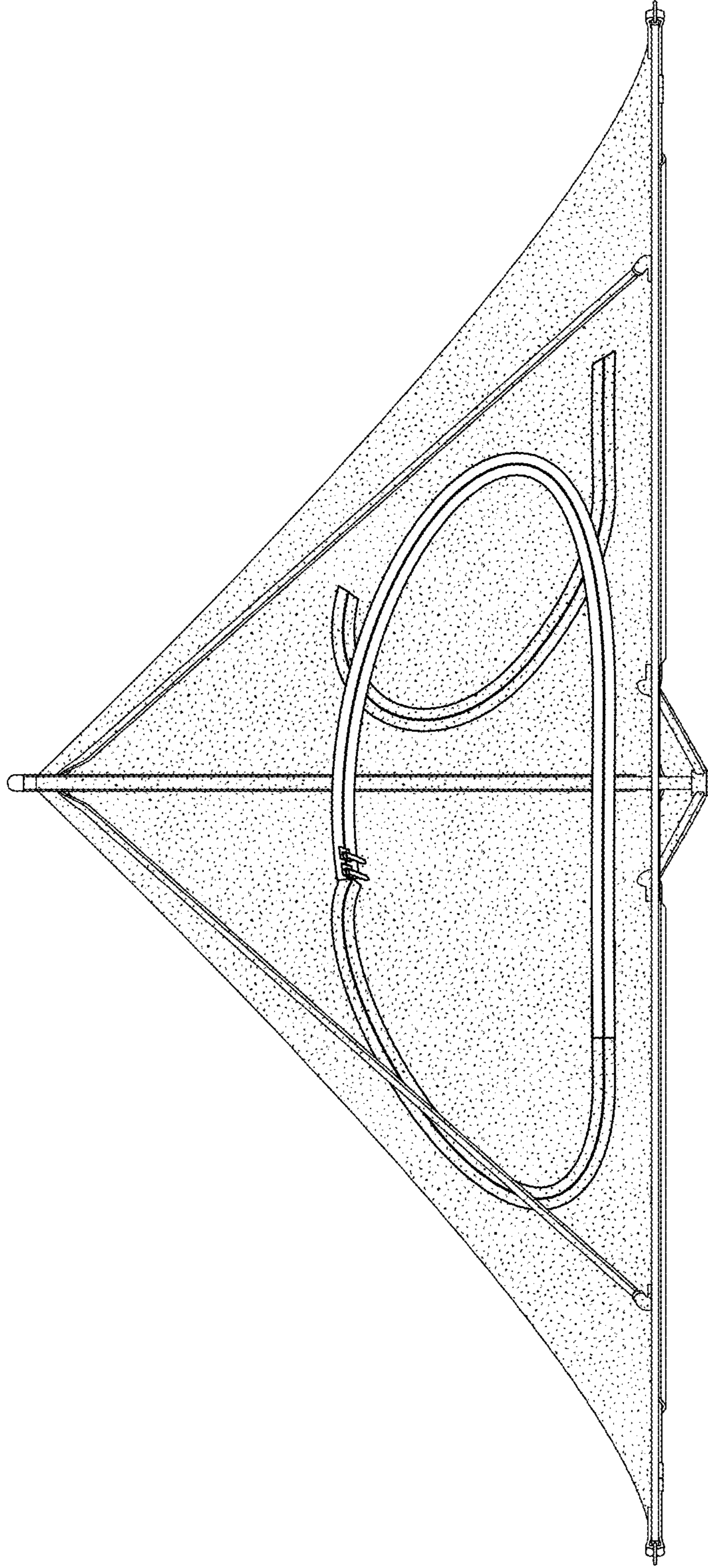


FIG. 6

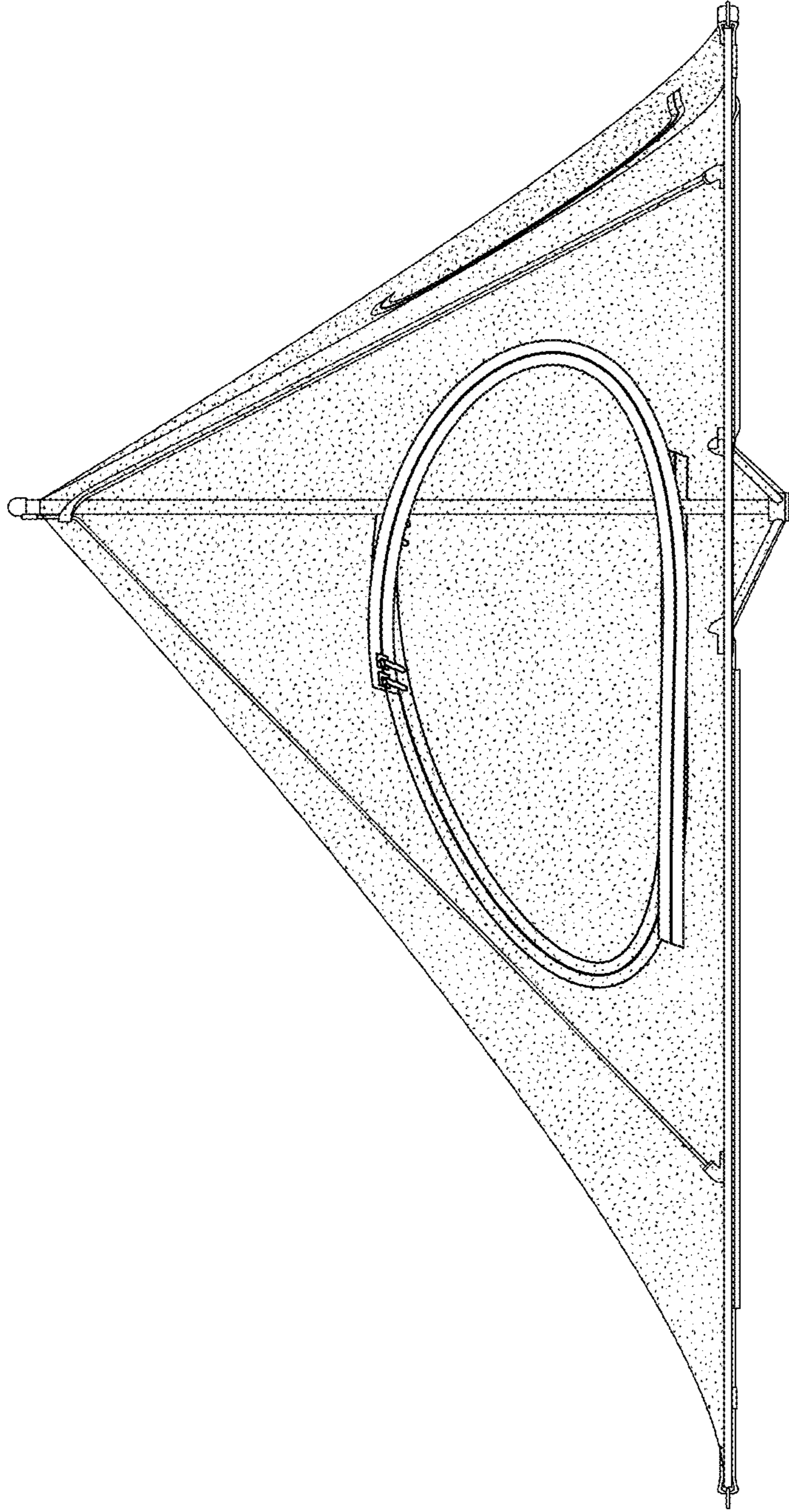


FIG. 7