



US00D825703S

(12) **United States Design Patent**  
**Eroglu**

(10) **Patent No.:** **US D825,703 S**

(45) **Date of Patent:** **\*\* Aug. 14, 2018**

(54) **CLIMBING FRAMES PLAY EQUIPMENT**  
(71) Applicant: **Fuat Eroglu**, Izmir (TR)  
(72) Inventor: **Fuat Eroglu**, Izmir (TR)  
(73) Assignee: **CEMER KENT**  
**EKIPMANLARISANAYI VE**  
**TICARET ANONIMSIRKETI**, Izmir  
(TR)

D498,282 S \* 11/2004 Gertschen ..... D21/826  
D515,166 S \* 2/2006 Montfort ..... A63B 9/00  
D21/826  
D531,692 S \* 11/2006 Kvistad ..... D21/827  
D554,227 S \* 10/2007 Yates ..... D21/826  
D615,607 S \* 5/2010 Hwang ..... D21/826  
D620,066 S \* 7/2010 Kohler ..... D21/826  
D628,668 S \* 12/2010 Kilgriff ..... D21/826  
D632,355 S \* 2/2011 Kohler ..... D21/826  
D664,622 S \* 7/2012 Orsulak ..... D21/686  
D664,624 S \* 7/2012 Orsulak ..... D21/826  
D729,334 S \* 5/2015 Scott ..... D21/826

(Continued)

(\*\*) Term: **15 Years**

*Primary Examiner* — Mitchell I. Siegel

(21) Appl. No.: **29/592,748**

(74) *Attorney, Agent, or Firm* — Inventa Capital PLC

(22) Filed: **Feb. 1, 2017**

(57) **CLAIM**

(51) **LOC (11) Cl.** ..... **21-03**

I claim the ornamental design for a climbing frames play equipment, as shown and described.

(52) **U.S. Cl.**

USPC ..... **D21/826**

**DESCRIPTION**

(58) **Field of Classification Search**

USPC ..... D21/811, 814, 826, 827  
CPC ..... A63B 9/00; A63B 17/00; A63B 2009/002;  
A63B 2009/004; A63B 2009/006; A63B  
2208/12

This is a Continuation in Part Design application that claims priority to a design application Ser. No. 35/500,103 filed on Aug. 3, 2015 and incorporated herewith by reference in its entirety.

See application file for complete search history.

FIG. 1 is a front elevational view of a climbing frames play equipment;

(56) **References Cited**

**U.S. PATENT DOCUMENTS**

D100,562 S \* 7/1936 Home ..... D21/826  
D176,999 S \* 3/1956 Ahrens ..... D21/826  
3,130,969 A \* 4/1964 Groth ..... A63G 9/02  
297/273  
D246,477 S \* 11/1977 Callecod ..... D21/826  
D289,927 S \* 5/1987 Bradford ..... D21/826  
D330,741 S \* 11/1992 Matsch ..... D21/826  
D343,670 S \* 1/1994 Petersheim ..... D21/826  
D361,818 S \* 8/1995 Von Parrish ..... D21/826  
D394,114 S \* 5/1998 Bradford ..... D24/200  
D404,786 S \* 1/1999 Caron ..... D21/827  
D472,954 S \* 4/2003 Kohler ..... D21/826

FIG. 2 is a side elevational view of a climbing frames play equipment;

FIG. 3 is a perspective view of a climbing frames play equipment;

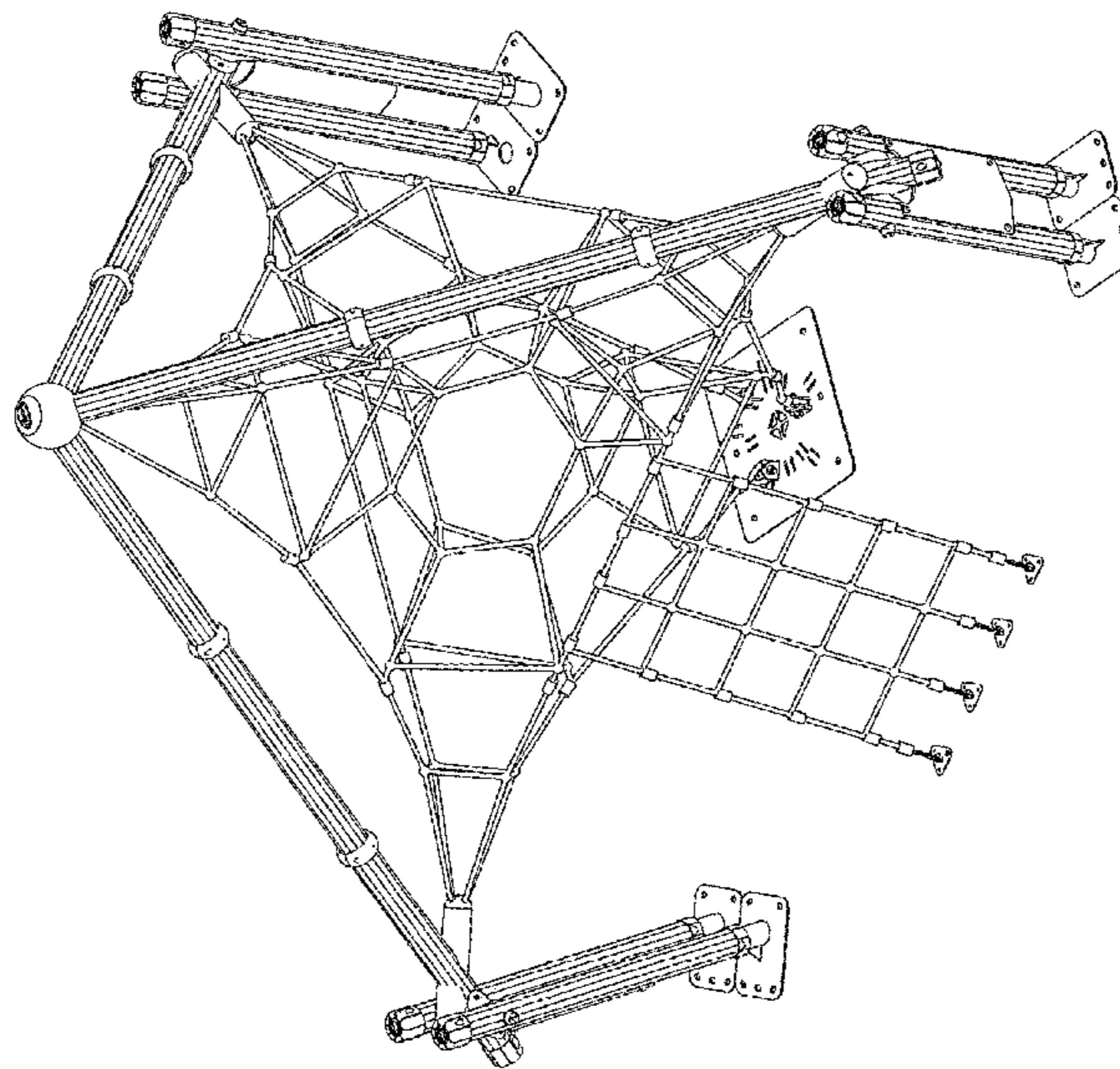
FIG. 4 is another side elevational view of a climbing frames play equipment;

FIG. 5 is a top view of a climbing frames play equipment;

FIG. 6 is rear elevational view of a climbing frames play equipment; and,

FIG. 7 is a bottom view of a climbing frames play equipment.

**1 Claim, 7 Drawing Sheets**



(56)

**References Cited**

U.S. PATENT DOCUMENTS

D731,611 S \* 6/2015 Klein ..... D21/826  
D743,499 S \* 11/2015 Eroglu ..... D21/826

\* cited by examiner

Fig. 1

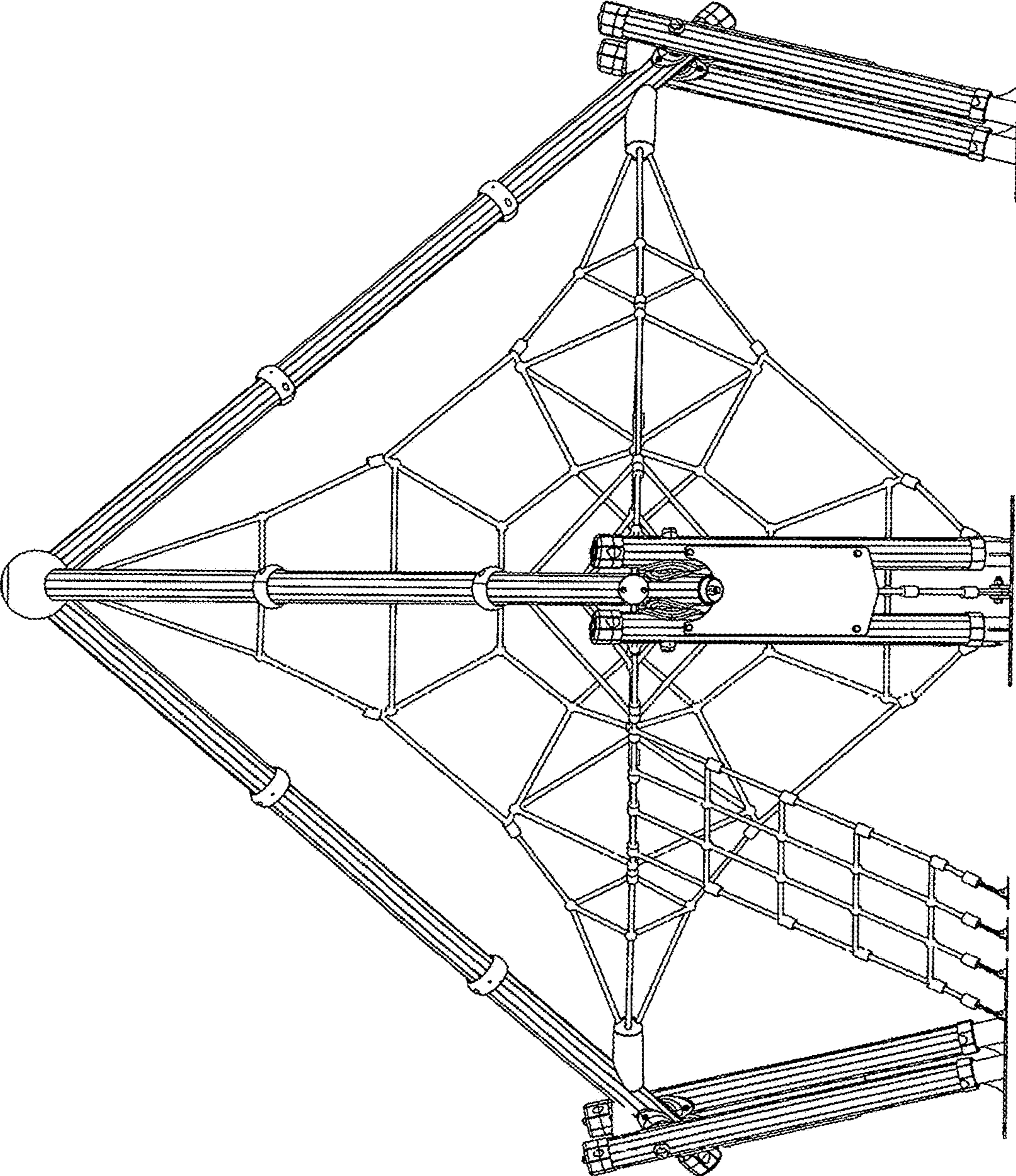




Fig. 2

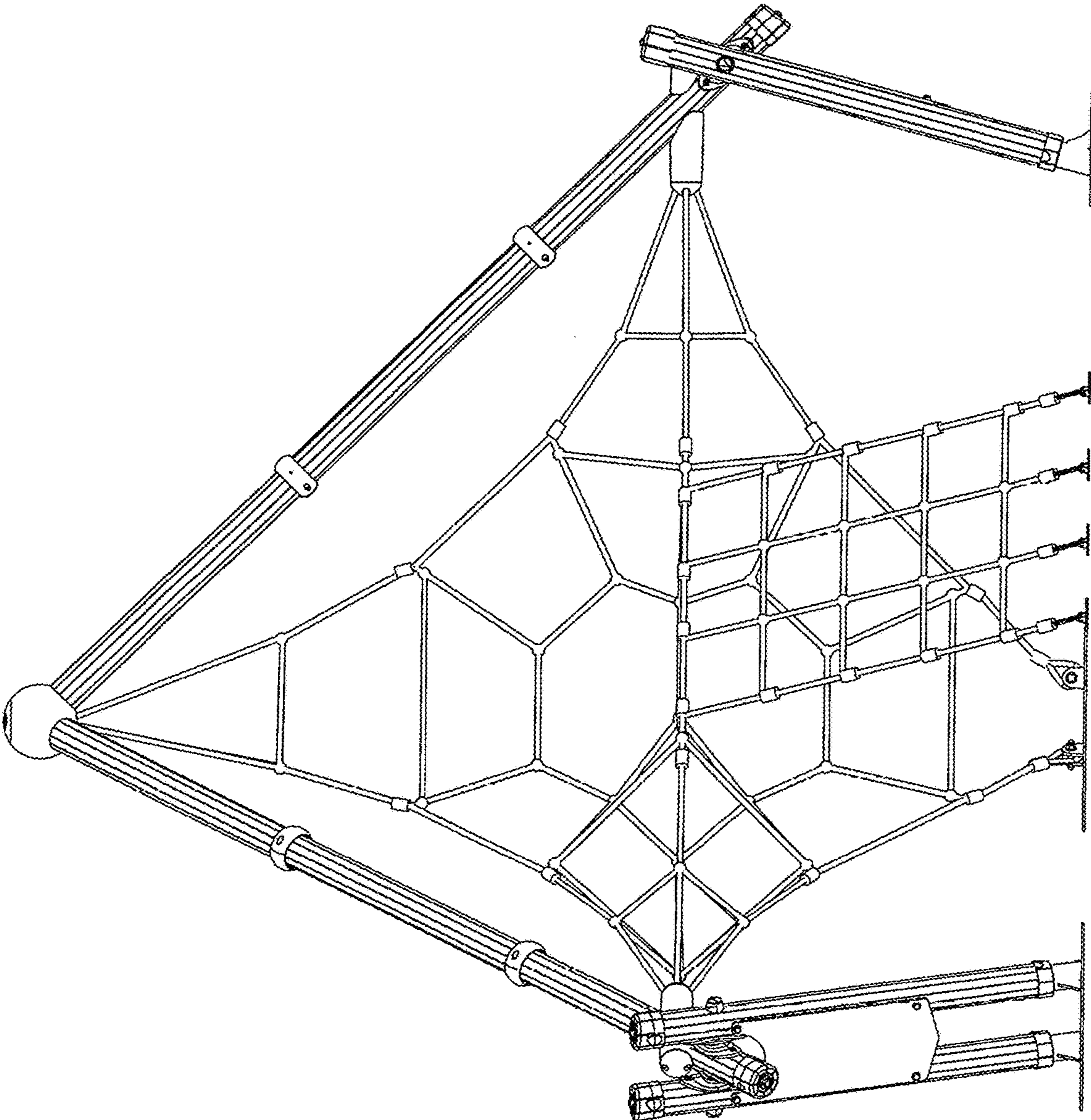


Fig.3

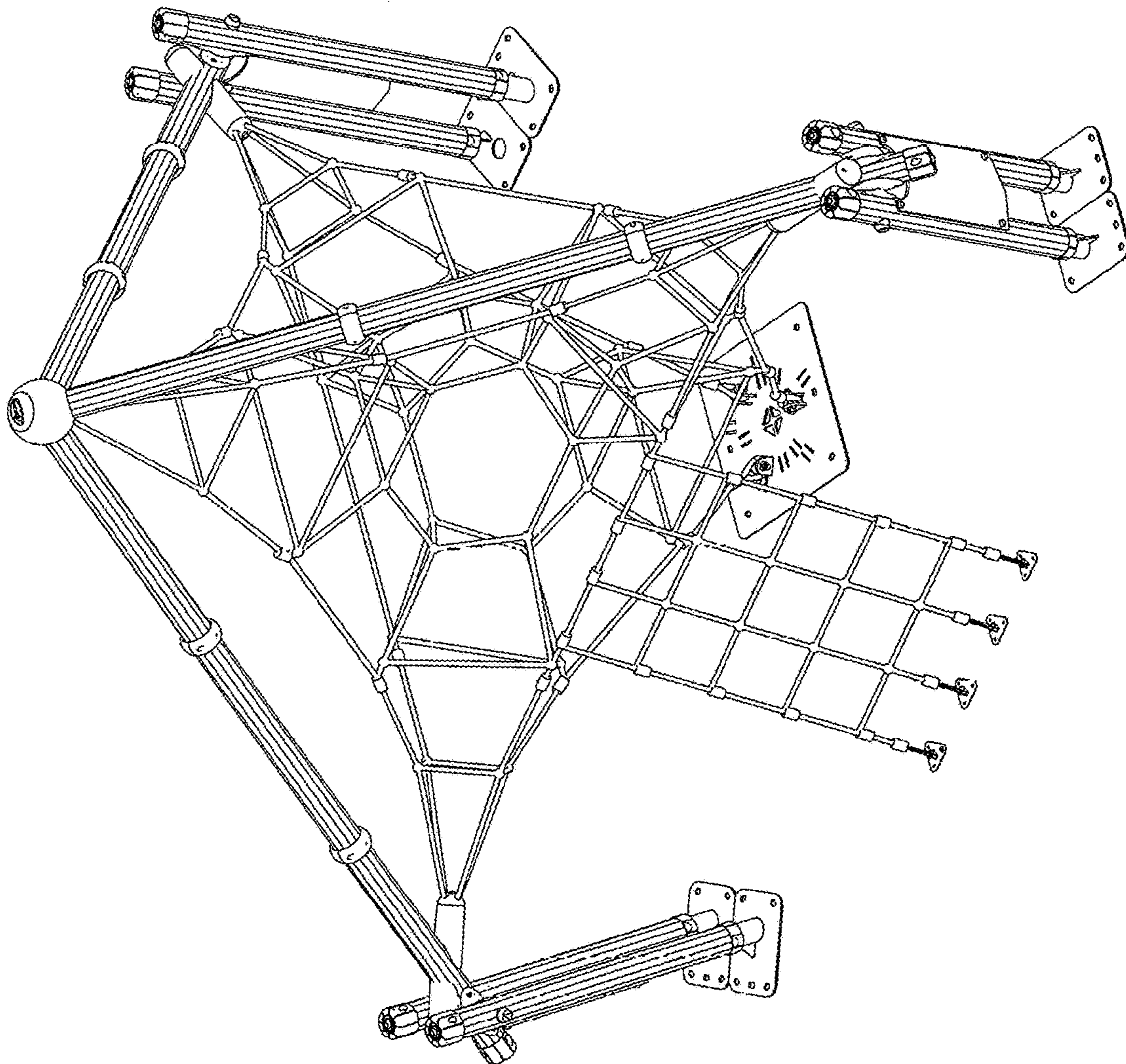




Fig.4

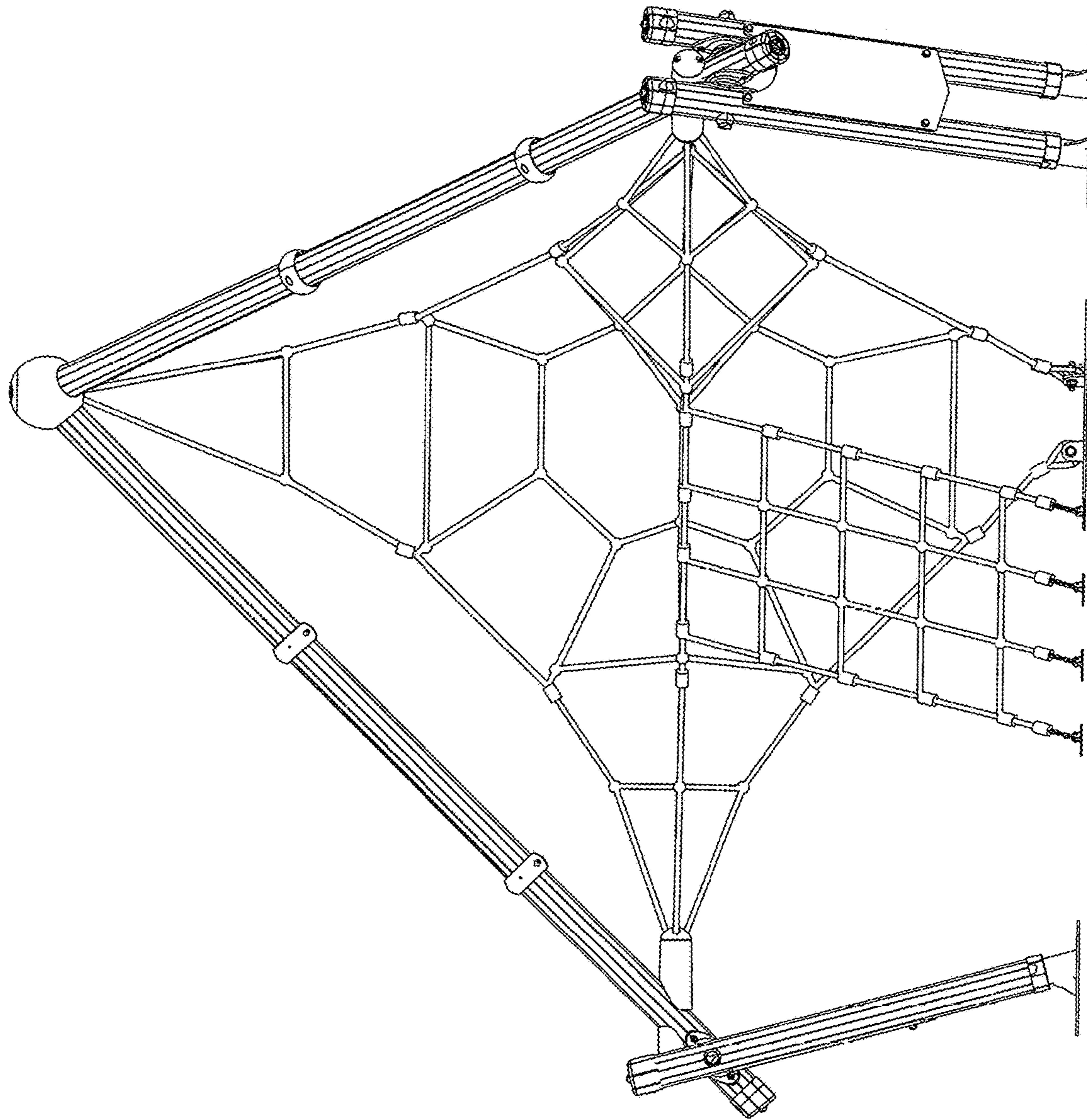


Fig.5

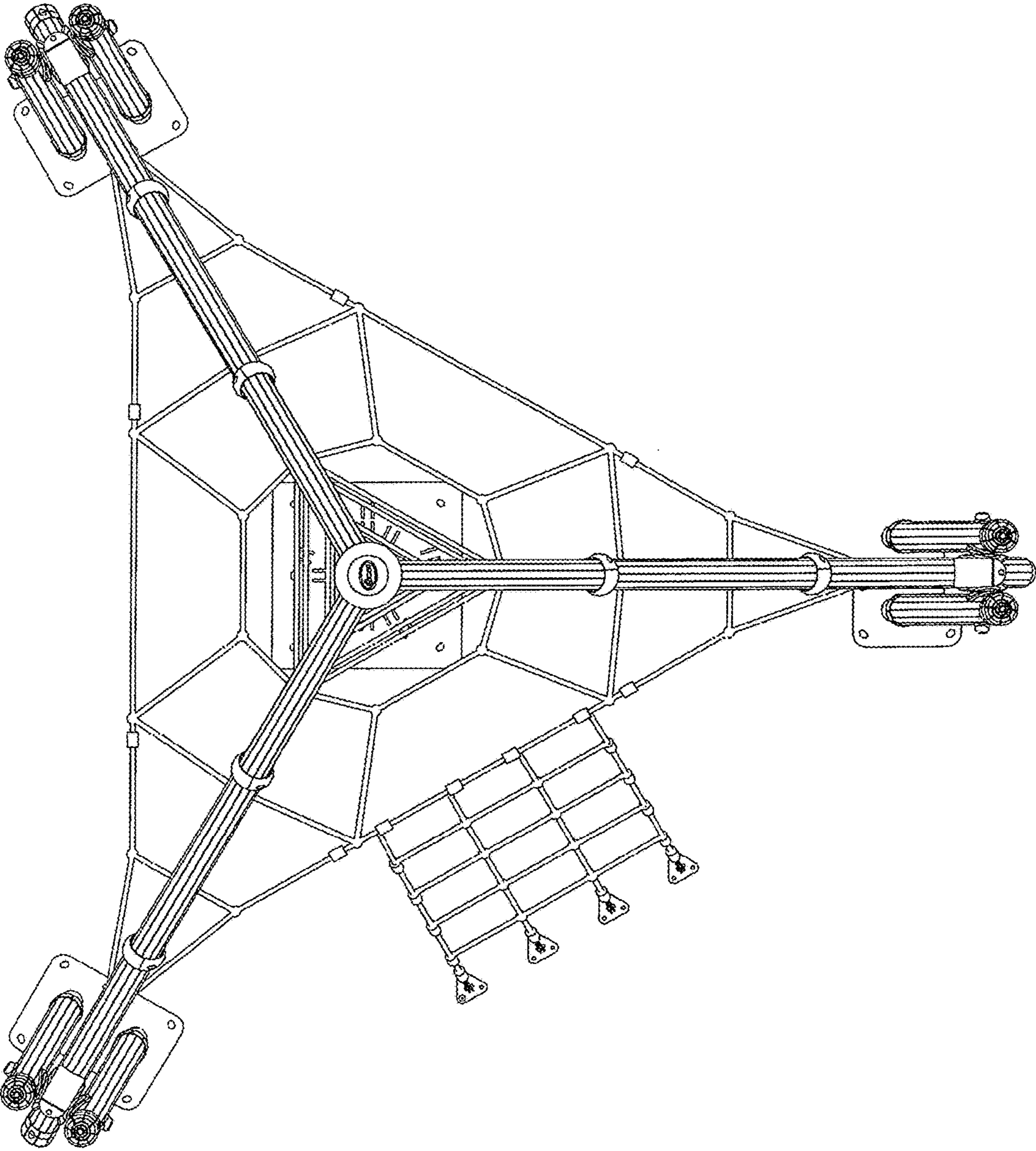




Fig.6

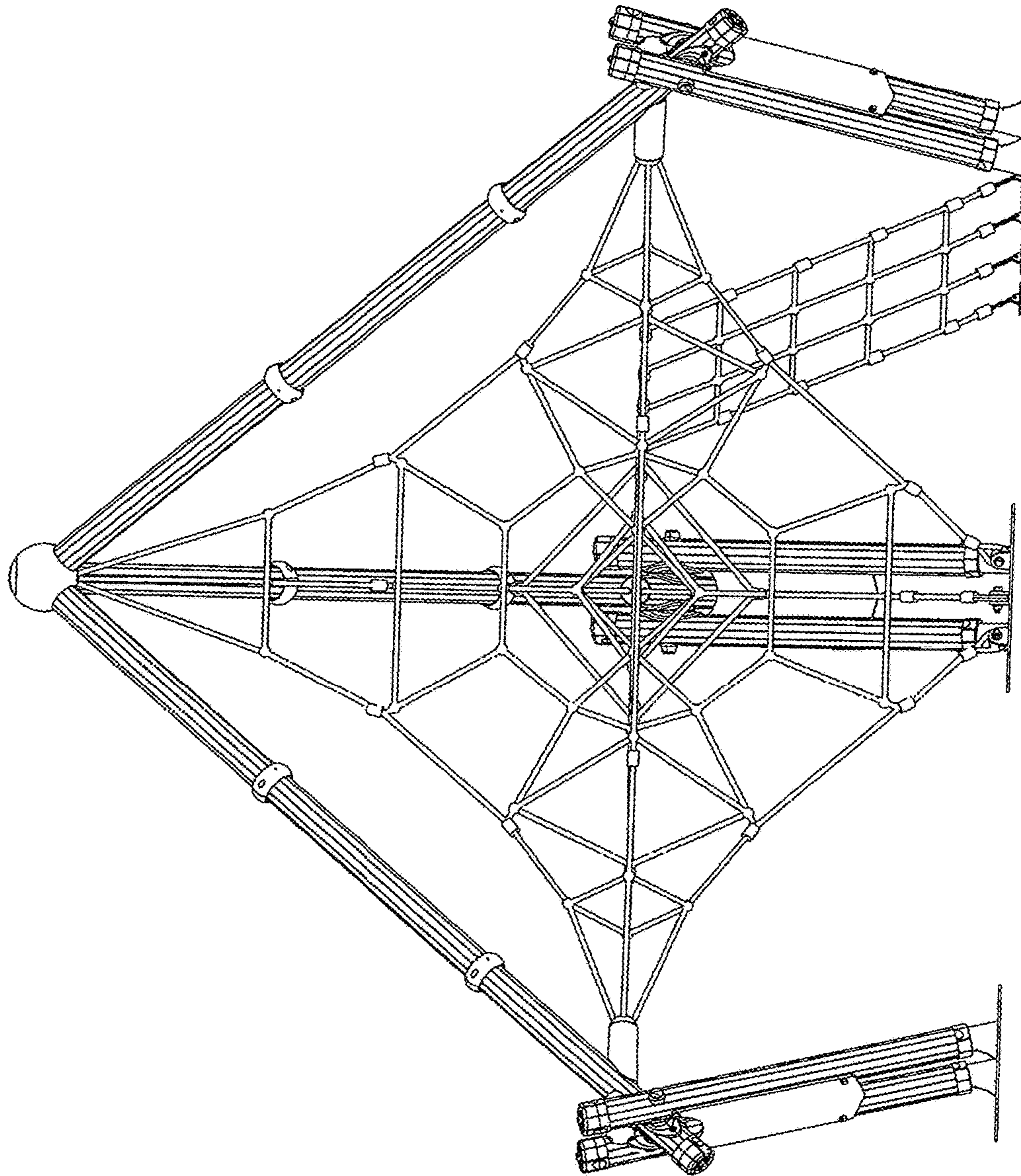




Fig.7

