



US00D825700S

(12) **United States Design Patent**  
**Kropfl**

(10) **Patent No.:** **US D825,700 S**

(45) **Date of Patent:** **\*\* Aug. 14, 2018**

- (54) **SKATEBOARD DECK**
- (71) Applicant: **Streetubez, LLC**, San Clemente, CA  
(US)
- (72) Inventor: **Carson Kropfl**, San Clemente, CA  
(US)
- (73) Assignee: **STREETUBEZ, LLC**, San Clemente,  
CA (US)
- (\*\*) Term: **15 Years**
- (21) Appl. No.: **29/595,908**
- (22) Filed: **Mar. 2, 2017**
- (51) **LOC (11) Cl.** ..... **21-02**
- (52) **U.S. Cl.**  
USPC ..... **D21/765**
- (58) **Field of Classification Search**  
USPC ..... D21/419, 421, 423, 426, 760, 765, 766,  
D21/769, 771, 776, 803; 280/7.14,  
280/11.115, 11.19, 11.27, 11.28, 14.21,  
280/87.01, 87.021, 87.03, 87.041, 87.042,  
280/607, 608, 609, 809; 180/180, 181;  
434/247, 253, 258  
CPC ..... A63C 17/01; A63C 17/011; A63C 17/012;  
A63C 17/014; A63C 17/015; A63C  
17/02; A63C 17/26; A63C 5/003; A63B  
69/0022; B60Q 1/326; B62K 3/001  
See application file for complete search history.

(56) **References Cited**

**U.S. PATENT DOCUMENTS**

- 3,362,722 A \* 1/1968 Core ..... A63C 17/01  
152/327
- 3,795,409 A \* 3/1974 Cudmore ..... A63C 17/01  
280/87.042
- D255,258 S \* 6/1980 Lukes ..... D21/765
- D300,159 S \* 3/1989 Papas ..... D21/765
- D383,824 S \* 9/1997 Mendoza ..... D21/760

- D476,266 S \* 6/2003 Fitzgerald ..... D12/11
- D505,469 S \* 5/2005 Joung ..... D21/765
- 6,908,351 B2 \* 6/2005 Burke ..... B63B 35/7909  
114/39.14
- D558,290 S \* 12/2007 Findling ..... D21/765
- D614,714 S \* 4/2010 Walworth ..... D21/760
- D698,881 S \* 2/2014 Hamborg ..... D21/765
- D704,786 S \* 5/2014 Tang ..... D21/765
- D792,532 S \* 7/2017 Olson ..... D21/686
- D798,397 S \* 9/2017 Bellevue ..... D21/686
- 2004/0014571 A1 \* 1/2004 Haynes ..... A63B 21/0004  
482/142
- 2009/0197748 A1 \* 8/2009 Smith ..... A63B 21/0004  
482/146

(Continued)

**OTHER PUBLICATIONS**

“A San Clemente 11-year-old has invented a skateboard that fits in lockers and backpacks” The OC Register Oct. 21, 2016 [online], [site visited Mar. 18, 2018]. Available from Internet: <URL:https://www.ocregister.com/2016/10/21/a-san-clemente-11-year-old-has-invented-a-skateboard-that-fits-in-lockers-and-backpacks/>.\*

*Primary Examiner* — Cynthia M Chin  
(74) *Attorney, Agent, or Firm* — Tope-McKay & Associates

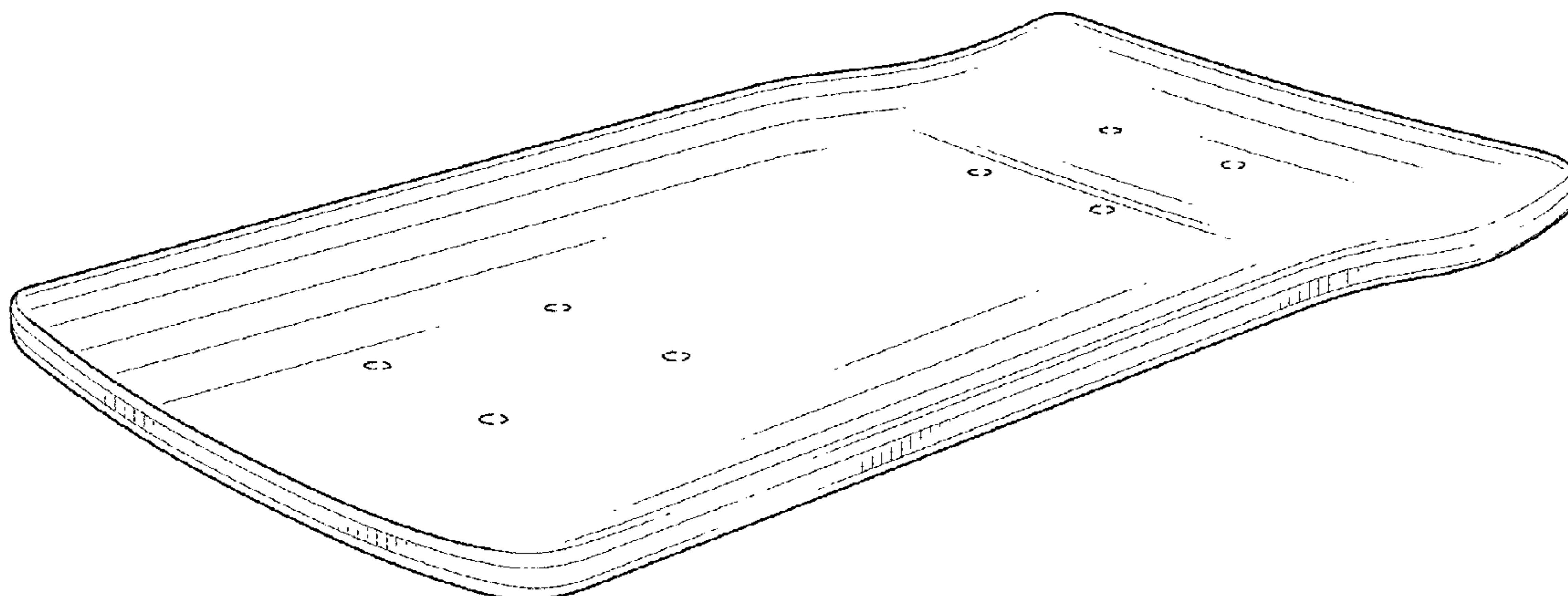
(57) **CLAIM**

The ornamental design for a skateboard deck, as shown and described.

**DESCRIPTION**

FIG. 1 is an elevated, perspective-view of a skateboard deck; FIG. 2 is a rear-view of the skateboard deck; FIG. 3 is a front-view of the skateboard deck; FIG. 4 is a left, side-view of the skateboard deck; FIG. 5 is a top-view of the skateboard deck; and, FIG. 6 is a bottom-view of the skateboard deck. The broken lines are for the purpose of illustrating portions of the article that form no part of the claim.

**1 Claim, 5 Drawing Sheets**



(56)

**References Cited**

U.S. PATENT DOCUMENTS

2015/0321051 A1\* 11/2015 Olson ..... A63B 26/003  
482/139

\* cited by examiner

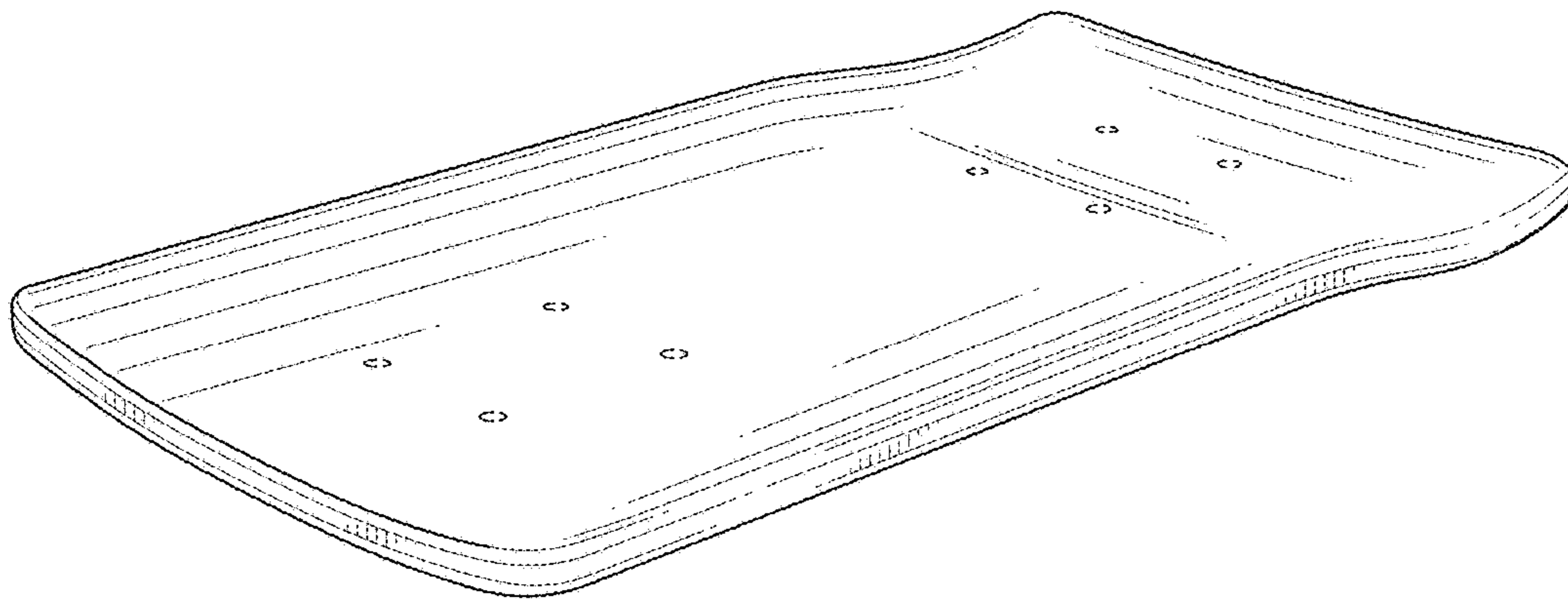


FIG. 1

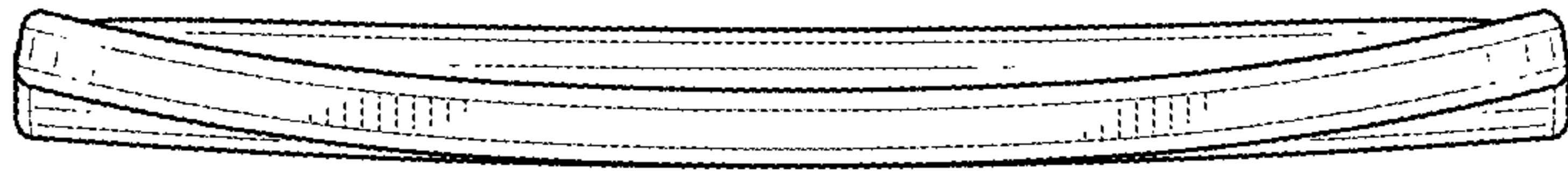


FIG. 2

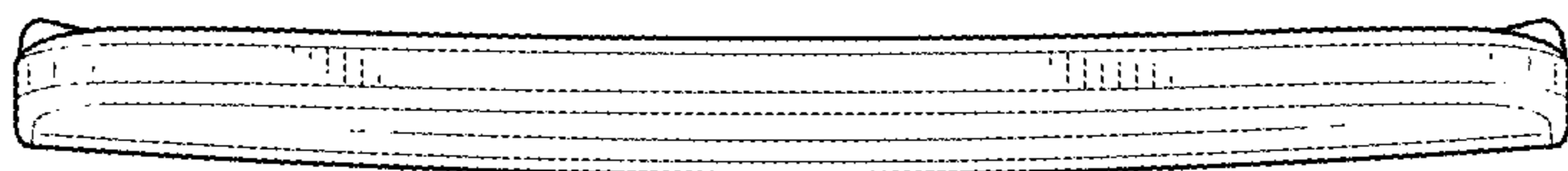


FIG. 3



FIG.4

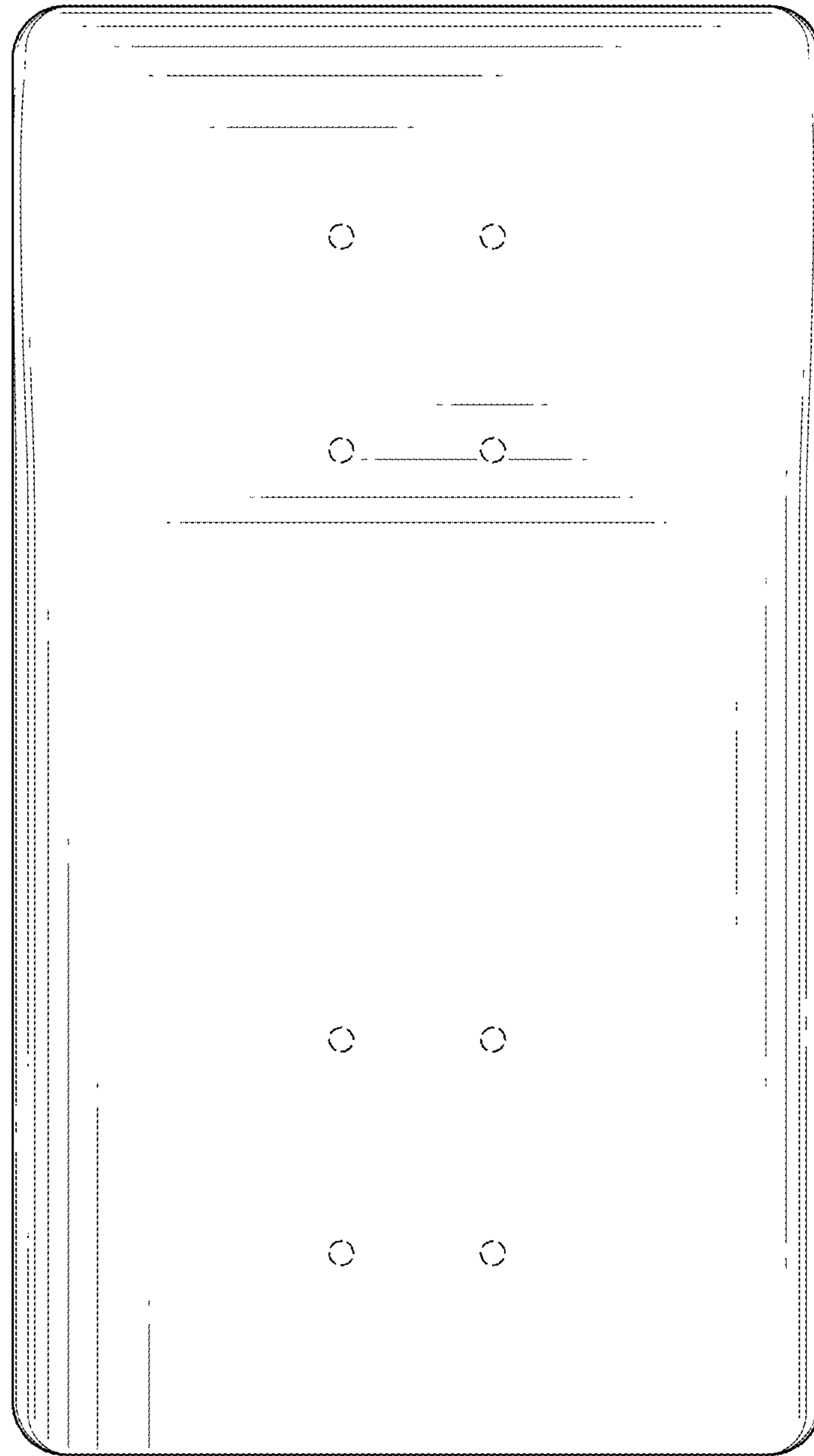


FIG. 5

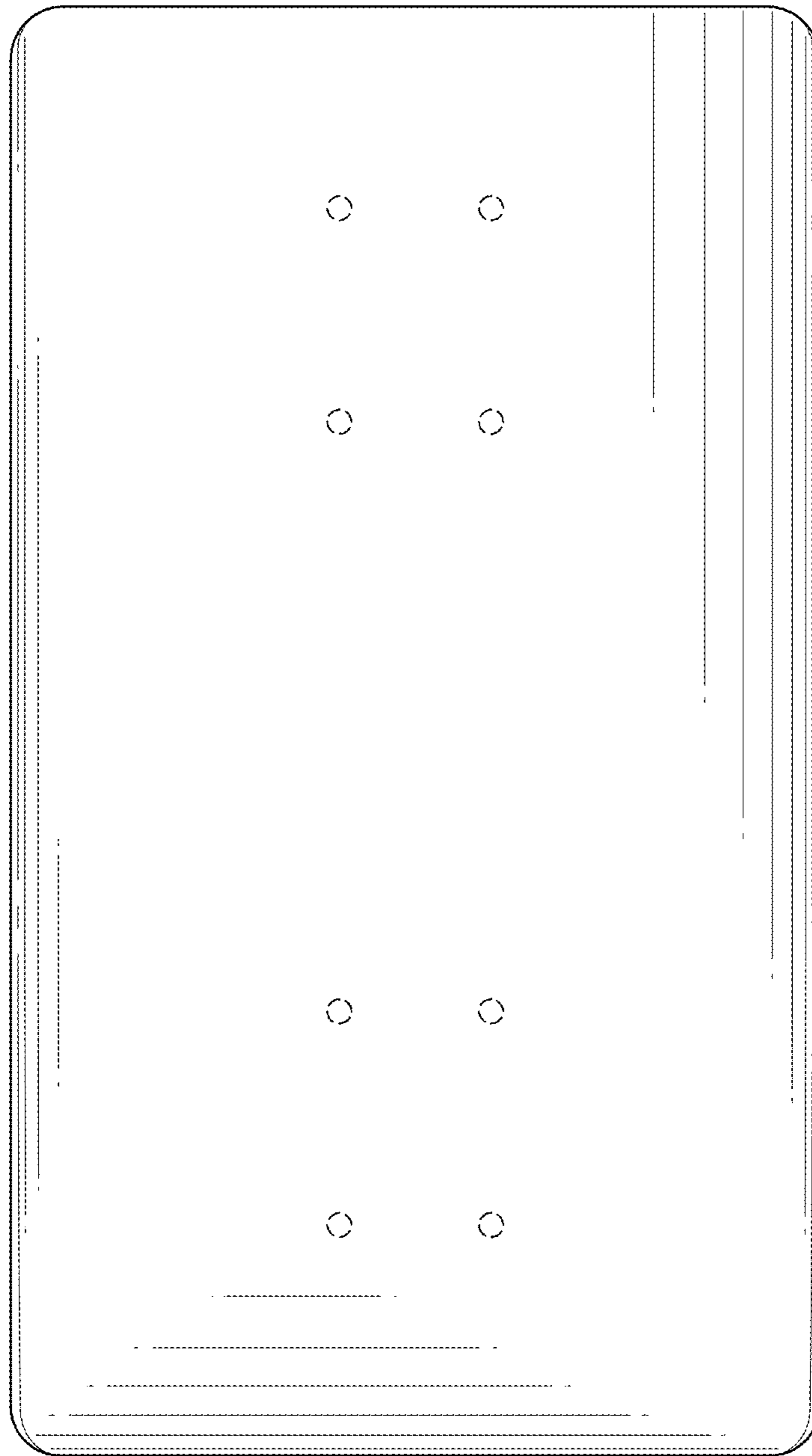


FIG. 6