



US00D825698S

(12) **United States Design Patent** (10) **Patent No.:** **US D825,698 S**
Serrano et al. (45) **Date of Patent:** **** Aug. 14, 2018**

(54) **GOLF CLUB HEAD**

OTHER PUBLICATIONS

(71) Applicant: **KARSTEN MANUFACTURING CORPORATION**, Phoenix, AZ (US)

Odyssey Works Tank Cruiser #1w, <http://www.pgatoursuperstore.com/odyssey-works-tank-cruiser-1w/1000000005200.jsp>, Date Accessed: Dec. 14, 2016.

(72) Inventors: **Anthony D. Serrano**, Anthem, AZ (US); **David A. Higdon**, Phoenix, AZ (US); **Martin R. Jertson**, Cave Creek, AZ (US); **Cory S. Bacon**, Phoenix, AZ (US); **Calvin S. Wang**, Chandler, AZ (US)

(Continued)

Primary Examiner — Mitchell I. Siegel

(73) Assignee: **Karsten Manufacturing Corporation**, Phoenix, AZ (US)

(57) **CLAIM**

The ornamental design for a golf club head, as shown and described.

(**) Term: **15 Years**

(21) Appl. No.: **29/610,794**

(22) Filed: **Jul. 14, 2017**

DESCRIPTION

(51) **LOC (11) Cl.** **21-02**

(52) **U.S. Cl.**
USPC **D21/743**

(58) **Field of Classification Search**
USPC D21/736–746, 759
CPC A63B 53/00; A63B 53/04; A63B 53/007;
A63B 53/065; A63B 53/0487; A63B
60/00; A63B 60/46
See application file for complete search history.

FIG. 1 is a front perspective view of a golf club head; FIG. 2 is a rear perspective view of the golf club head of FIG. 1; FIG. 3 is a front view of the golf club head of FIG. 1; FIG. 4 is a rear view of the golf club head of FIG. 1; FIG. 5 is a top view of the golf club head of FIG. 1; FIG. 6 is a bottom view of the golf club head of FIG. 1; FIG. 7 is a heel view of the golf club head of FIG. 1; FIG. 8 is a toe view of the golf club head of FIG. 1; FIG. 9 is a front perspective view of a second embodiment of the golf club head; FIG. 10 is a rear perspective view of the golf club head of FIG. 9; FIG. 11 is a front view of the golf club head of FIG. 9; FIG. 12 is a rear view of the golf club head of FIG. 9; FIG. 13 is a top view of the golf club head of FIG. 9; FIG. 14 is a bottom view of the golf club head of FIG. 9; FIG. 15 is a heel view of the golf club head of FIG. 9; and, FIG. 16 is a toe view of the golf club head of FIG. 9. The broken line showing is included for the purpose of illustrating unclaimed subject matter and forms no part of the claimed design.

(56) **References Cited**

U.S. PATENT DOCUMENTS

D207,228 S * 3/1967 Solheim D21/743
D212,890 S * 12/1968 Rose D21/739
3,652,094 A 3/1972 Glover
D283,039 S * 3/1986 Solheim D21/743
D303,276 S * 9/1989 Oakleaf D21/739

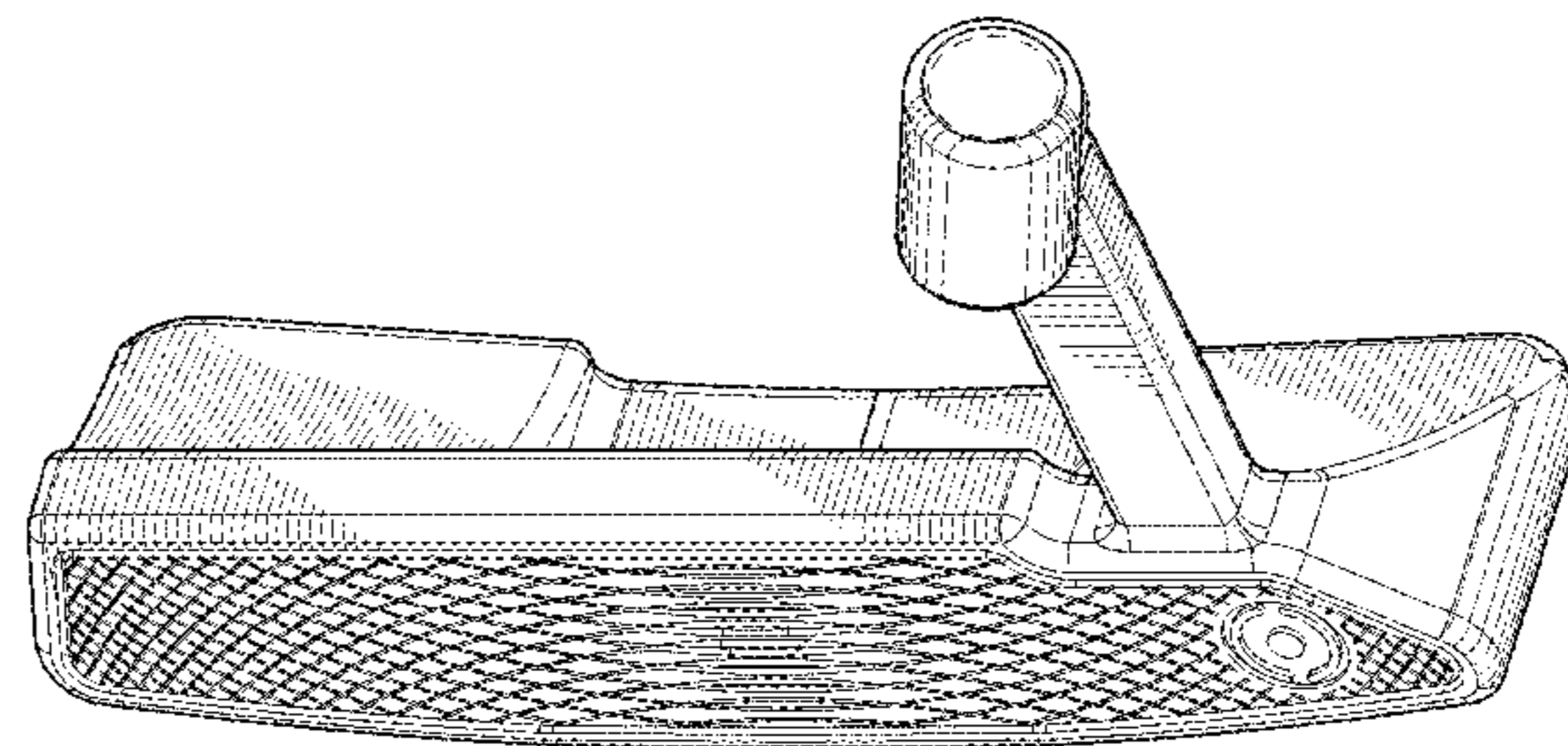
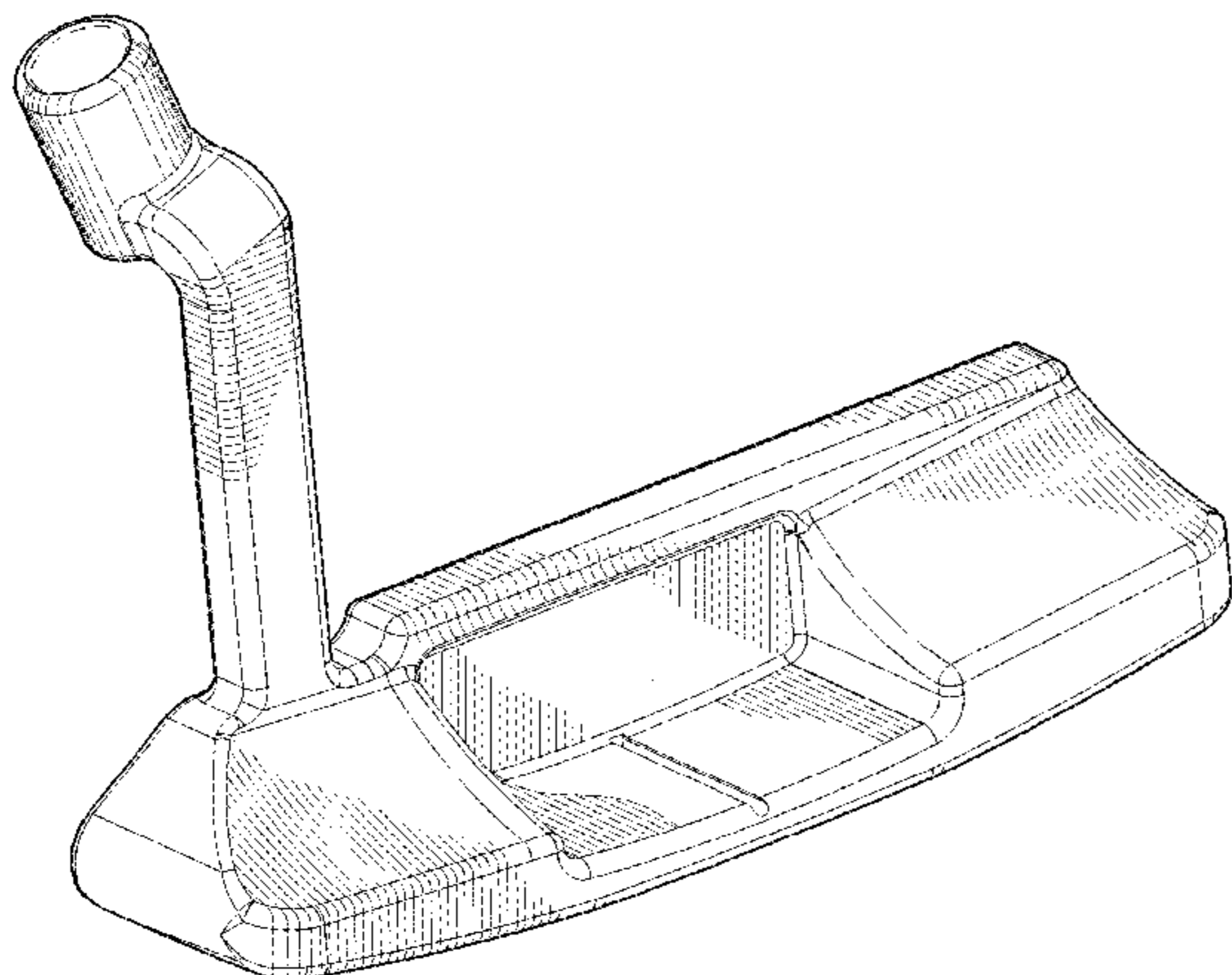
(Continued)

FOREIGN PATENT DOCUMENTS

CN 2920325 Y 7/2007
CN 103252065 A 8/2013

(Continued)

1 Claim, 8 Drawing Sheets



(56)

References Cited

U.S. PATENT DOCUMENTS

4,869,507 A 9/1989 Sahm
D316,129 S 4/1991 Bryson
D326,303 S * 5/1992 Cameron D21/743
5,275,412 A 1/1994 Innes
D344,564 S * 2/1994 Oakleaf D21/739
D356,844 S * 3/1995 Solheim D21/742
D375,768 S * 11/1996 Solheim D21/742
5,746,664 A 5/1998 Reynolds, Jr.
6,048,275 A 4/2000 Gedeon
6,159,108 A 12/2000 De La Pena
D445,860 S * 7/2001 Mills D21/736
D445,861 S * 7/2001 Mills D21/736
D447,197 S * 8/2001 Mills D21/736
D455,805 S * 4/2002 Mills D21/736
6,379,259 B1 4/2002 Opie
D459,422 S 6/2002 Fisher
D474,253 S * 5/2003 Mills D21/736
D474,520 S * 5/2003 Mills D21/744
D488,526 S 4/2004 Souza
D500,109 S 12/2004 Solheim
D500,110 S 12/2004 Solheim
6,837,801 B1 1/2005 Souza
6,878,071 B1 4/2005 Schweiger
6,893,355 B2 5/2005 Souza
6,902,496 B2 6/2005 Solheim
D507,612 S 7/2005 Souza
6,926,615 B1 8/2005 Souza
6,960,140 B2 11/2005 Solheim
6,966,845 B2 11/2005 Solheim
D520,584 S 5/2006 Karlson
D521,582 S 5/2006 Souza
7,052,411 B2 5/2006 Solheim
D522,598 S 6/2006 Solheim
7,077,758 B2 7/2006 Rohrer
7,086,957 B2 8/2006 Solheim
D527,777 S 9/2006 Solheim
D529,108 S 9/2006 Stites
D529,110 S * 9/2006 Hueber D21/746
D532,847 S 11/2006 Rollinson
D533,243 S 12/2006 Fife, Jr.
D533,244 S 12/2006 Kroll
7,235,021 B2 6/2007 Solheim
D548,295 S 8/2007 Jertson
7,255,650 B2 8/2007 Braynt
D552,197 S 10/2007 Wells
D564,607 S 3/2008 Oldknow et al.
D565,137 S 3/2008 Oldknow
7,371,185 B1 5/2008 Rohrer
D581,473 S 11/2008 Thomas
D583,003 S 12/2008 Solheim
D587,325 S 2/2009 Solheim
D588,658 S 3/2009 De La Cruz
D600,760 S 9/2009 Serrano
D600,761 S 9/2009 Solheim
D600,762 S 9/2009 Serrano
7,601,076 B2 10/2009 Rollinson
D607,950 S 1/2010 Souza

D621,458 S 8/2010 Serrano
D621,460 S 8/2010 Serrano
D621,461 S 8/2010 Serrano
D621,462 S 8/2010 Serrano
D621,891 S 8/2010 Serrano
D623,709 S 9/2010 Serrano
7,803,066 B2 9/2010 Solheim
7,815,515 B1 10/2010 Hunt
D638,891 S 5/2011 Nicolette
D640,341 S 6/2011 Foster et al.
D643,080 S 8/2011 Serrano
D643,485 S 8/2011 Nicolette
D643,486 S 8/2011 Serrano
D643,487 S 8/2011 Serrano
D650,455 S 12/2011 Serrano
D652,465 S 1/2012 Rollinson
8,100,779 B2 1/2012 Solheim
D653,718 S 2/2012 Stokke
8,109,838 B2 2/2012 Solheim
8,128,505 B2 3/2012 Tryner et al.
D664,617 S 7/2012 Serrano
D682,376 S 5/2013 Oliveiro
D689,574 S 9/2013 Rollinson
D723,641 S 3/2015 Serran et al.
D761,367 S 7/2016 Bruce
D774,151 S * 12/2016 Serrano D21/743
D797,873 S * 9/2017 Serrano D21/743
2003/0083149 A1 5/2003 Scarpa et al.
2005/0170904 A1 8/2005 Smeeth
2006/0089206 A1 4/2006 Lo
2006/0094533 A1 5/2006 Warren
2006/0166755 A1 7/2006 Brown
2007/0010348 A1 1/2007 Jung
2007/0191135 A1 8/2007 Nilsson
2008/0045353 A1 2/2008 Lo et al.
2008/0096686 A1 4/2008 Bikhu
2009/0270198 A1 10/2009 Solheim et al.
2009/0305806 A1 12/2009 Campadore et al.
2009/0305807 A1 12/2009 Solheim et al.
2010/0048321 A1 2/2010 Beach et al.
2010/0222155 A1 9/2010 Jones et al.
2010/0227704 A1 9/2010 Souza
2012/0115628 A1 5/2012 Woods
2014/0179459 A1 6/2014 Schartiger et al.
2015/0360099 A1 12/2015 Ban et al.

FOREIGN PATENT DOCUMENTS

GB 2133295 A 7/1984
JP 2001137400 A 5/2001
JP 1344471 S 11/2008
JP 1481918 S 8/2014

OTHER PUBLICATIONS

Cx1, <http://cureputters.com/products/cx1> , Date Accessed: Dec. 13, 2016.

* cited by examiner

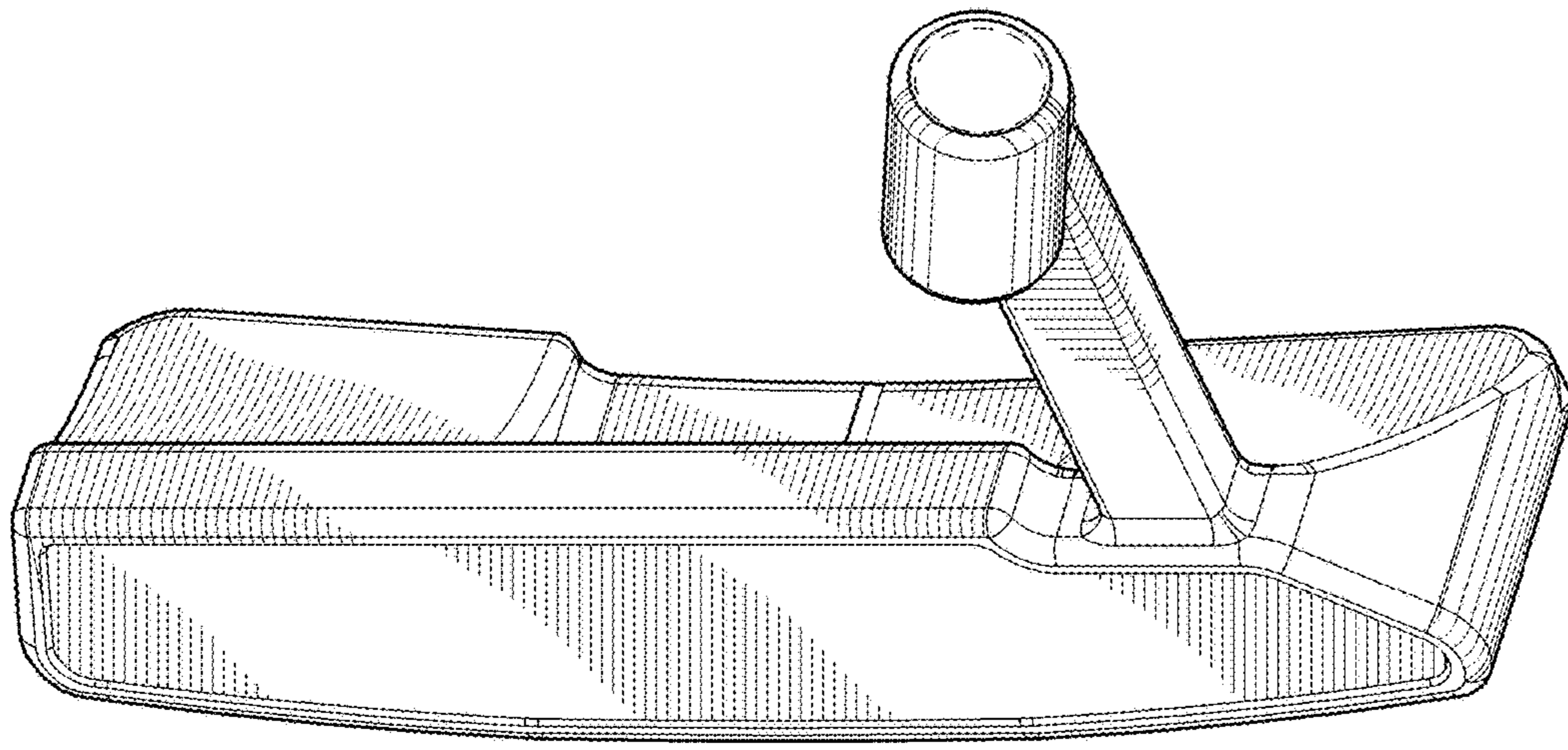


Fig. 1

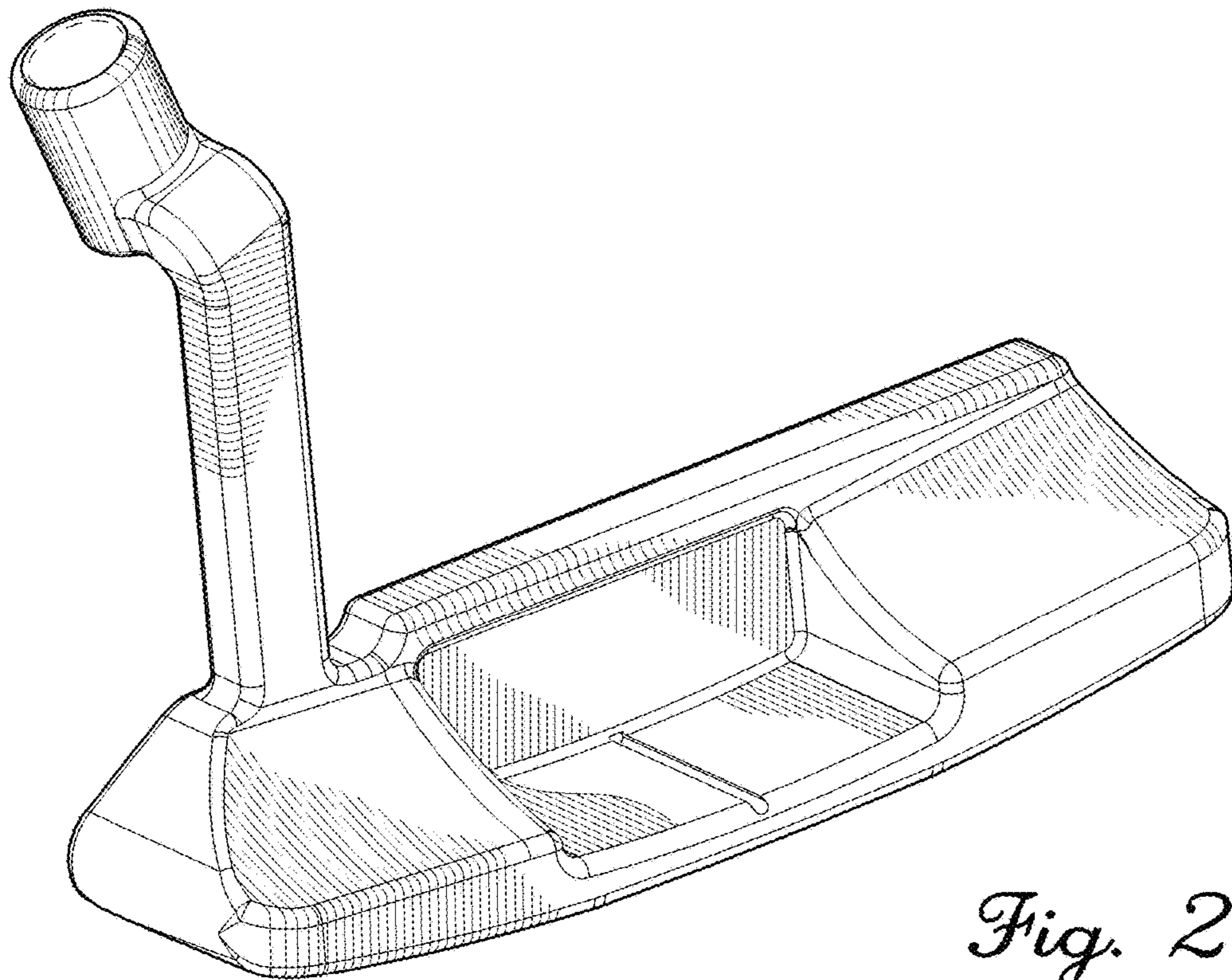


Fig. 2

Fig. 3

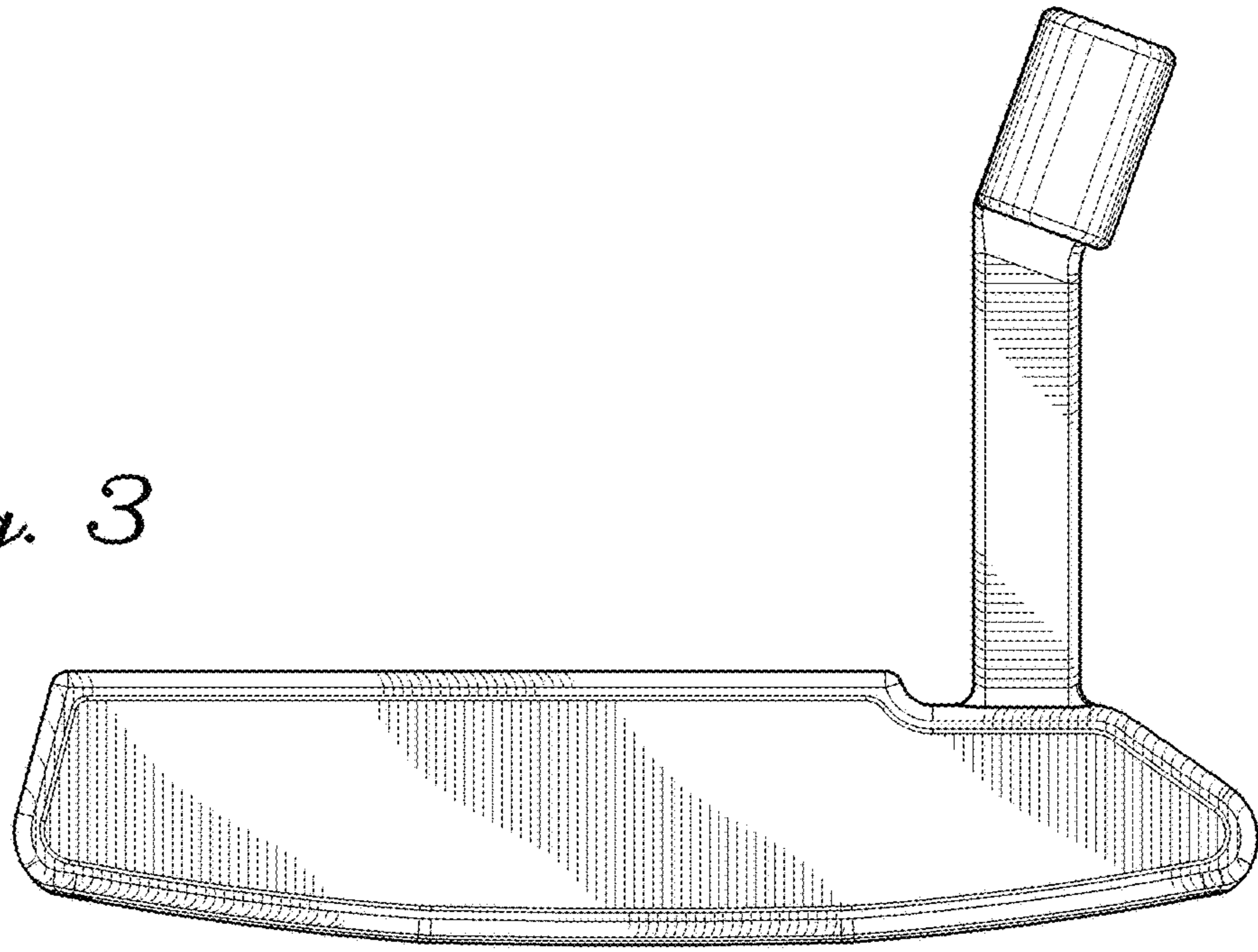
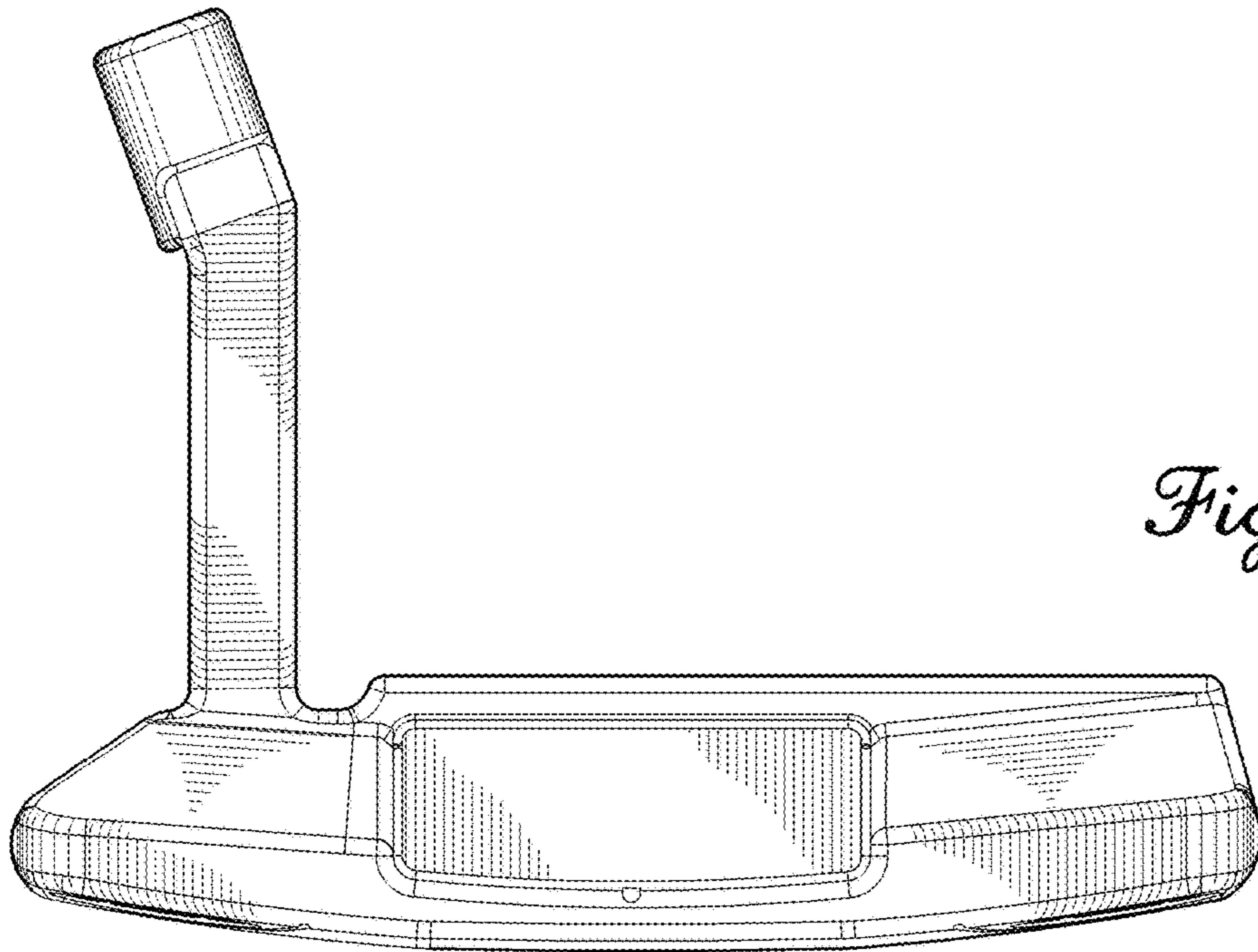


Fig. 4



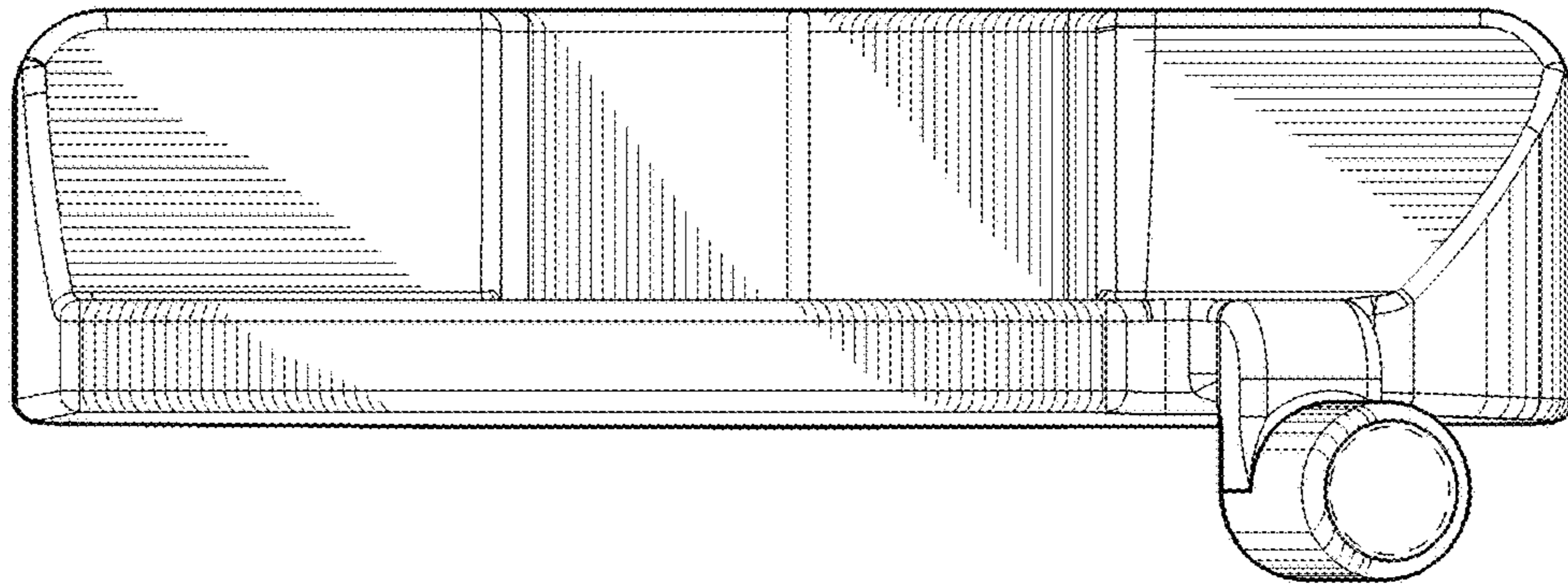


Fig. 5

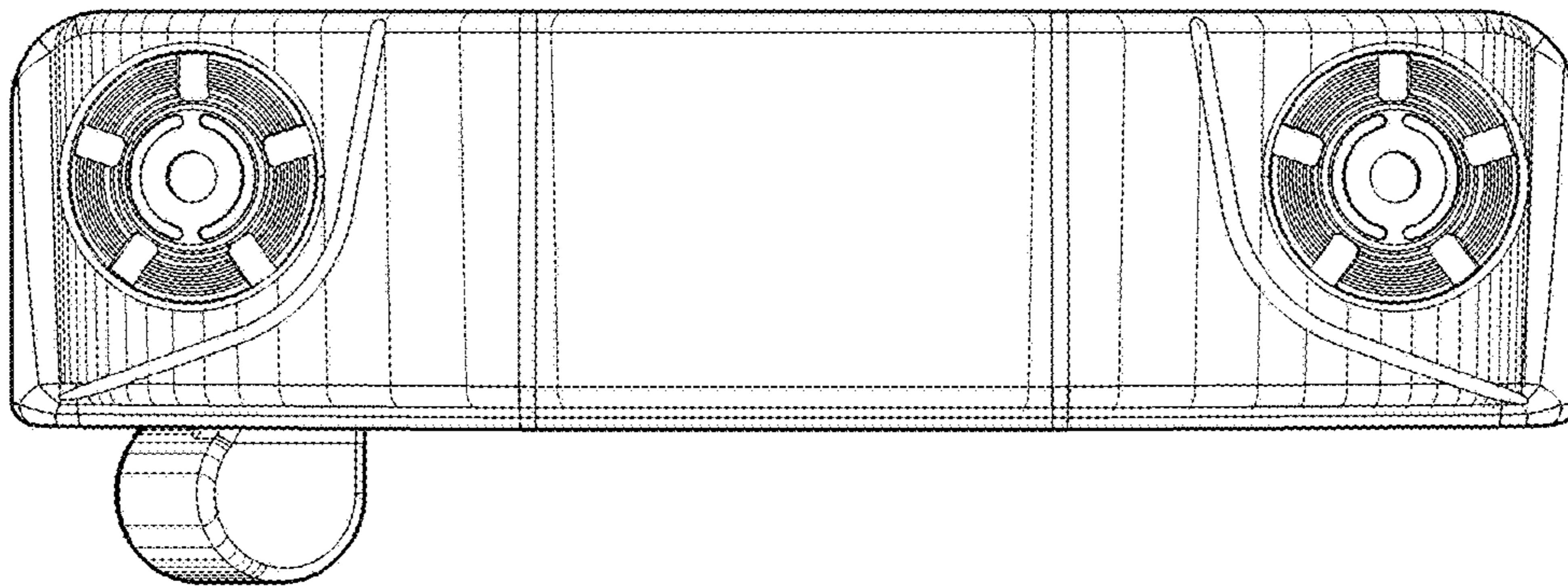


Fig. 6

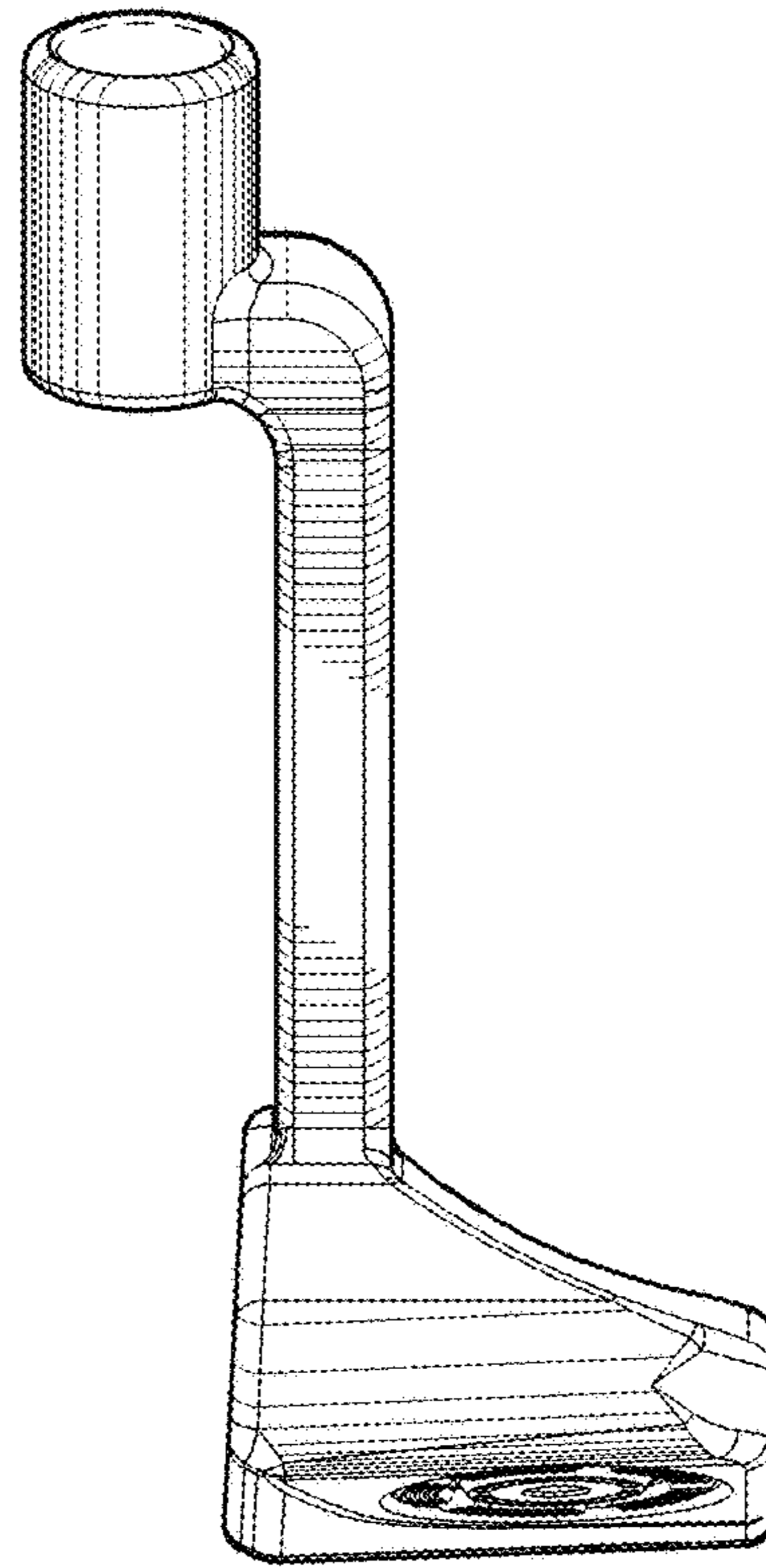


Fig. 7

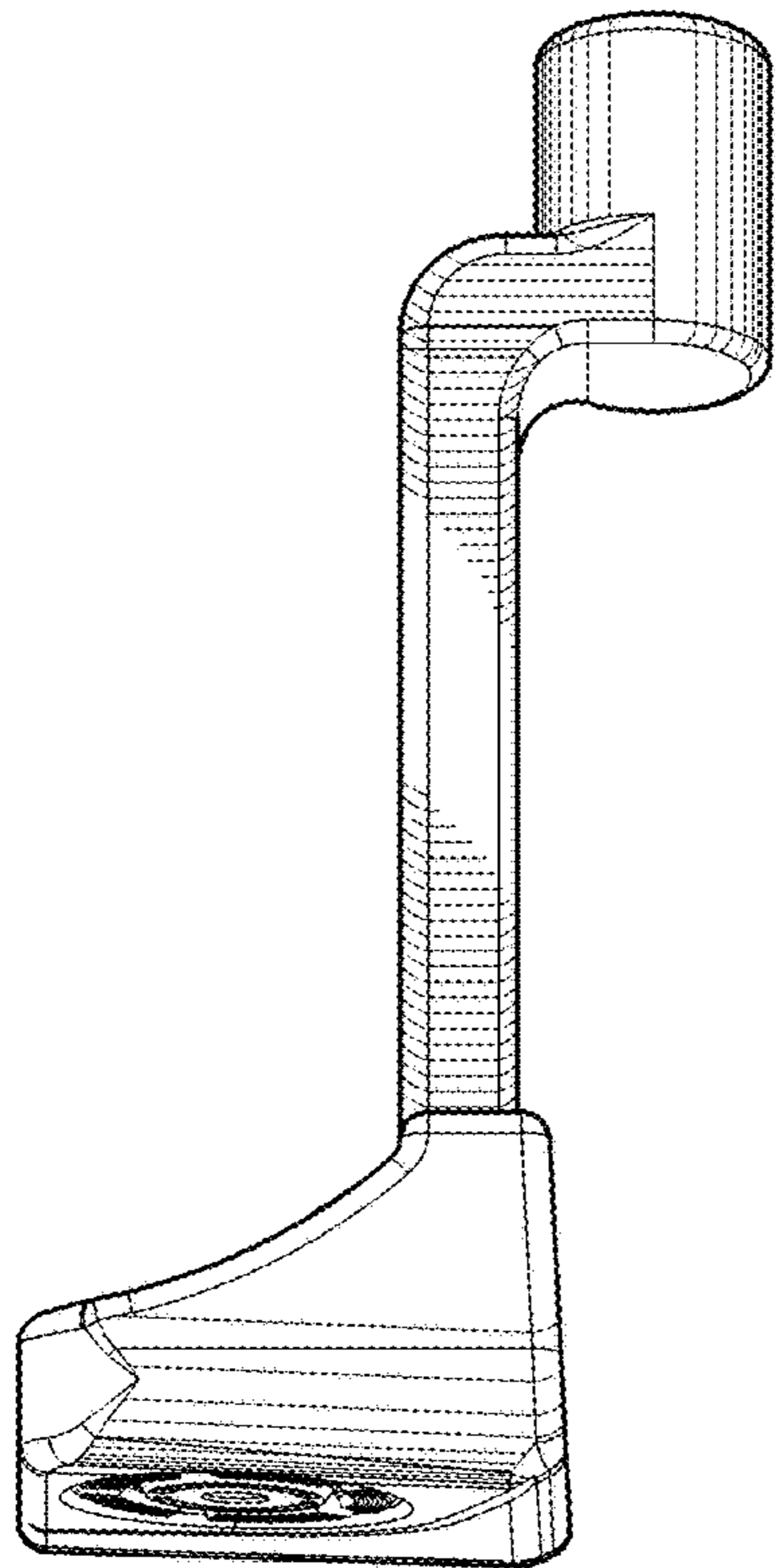


Fig. 8

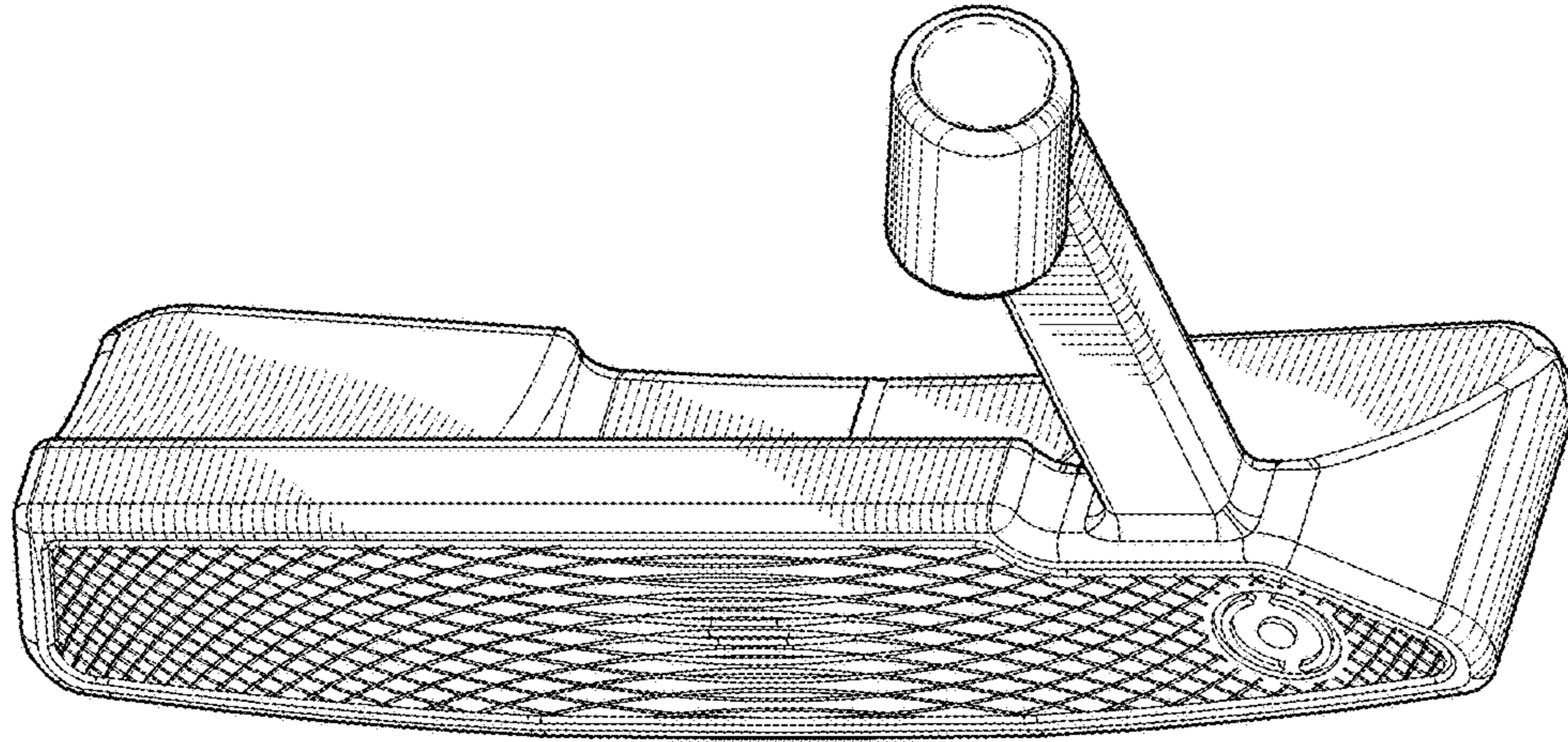


Fig. 9

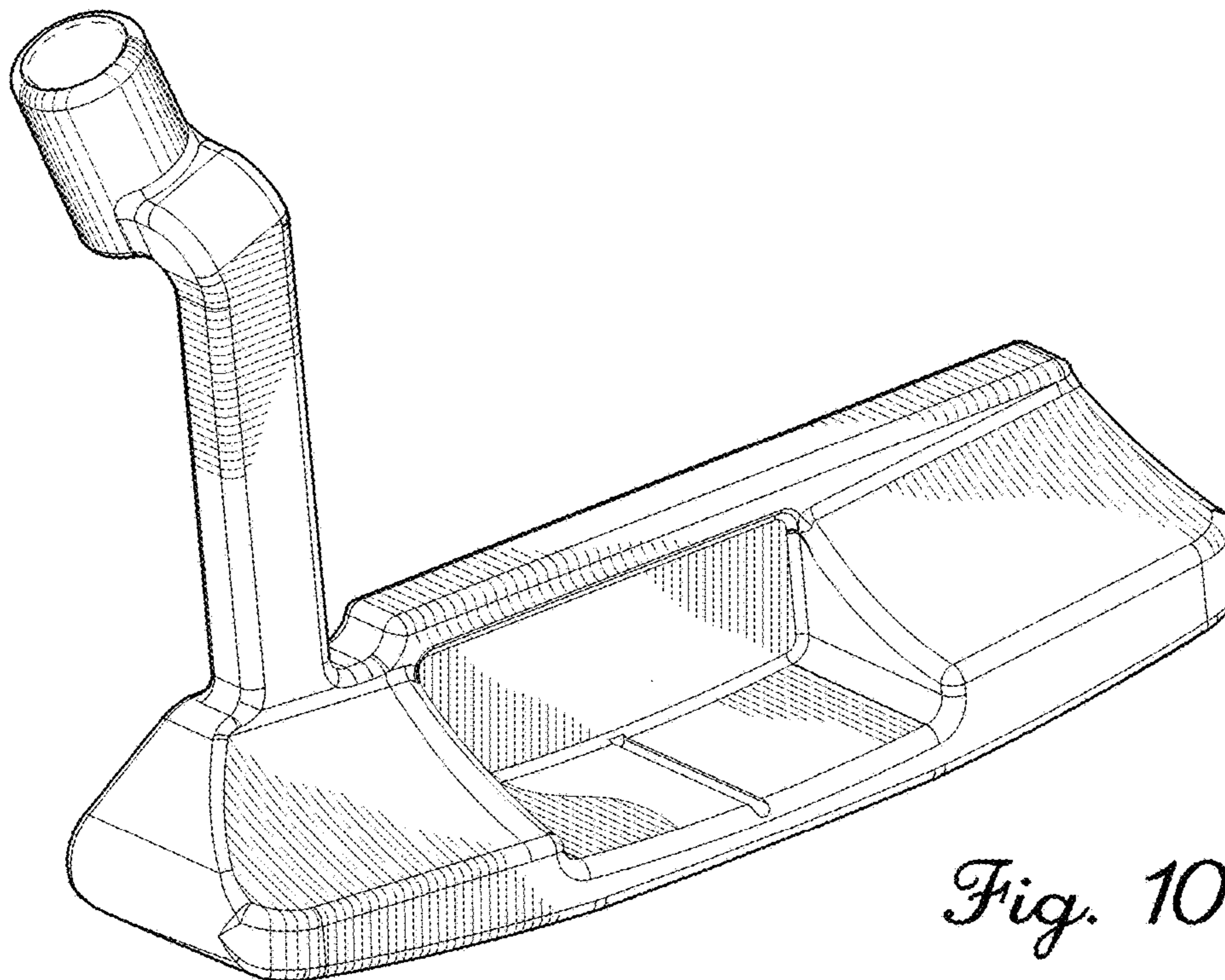


Fig. 10

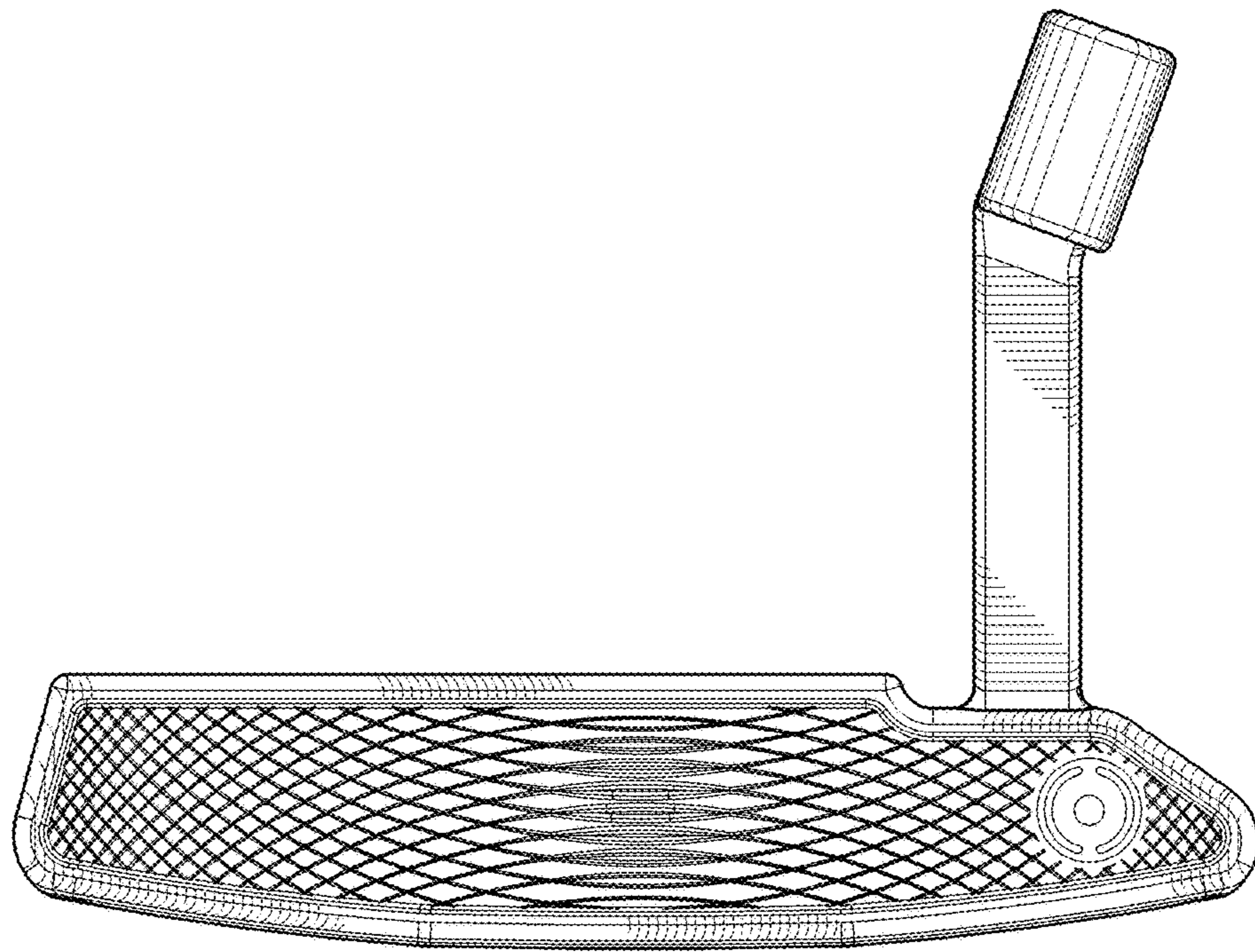


Fig. 11

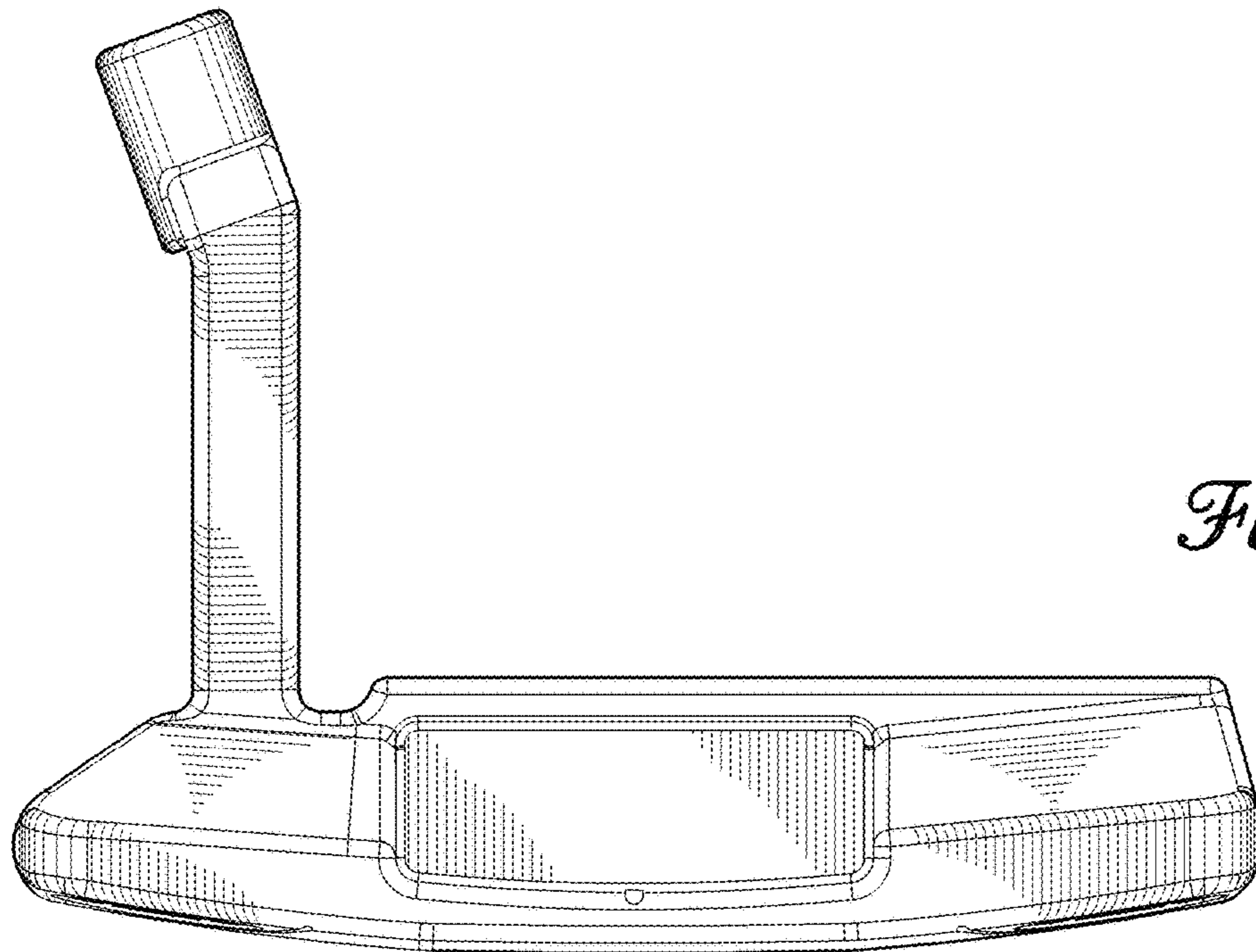


Fig. 12

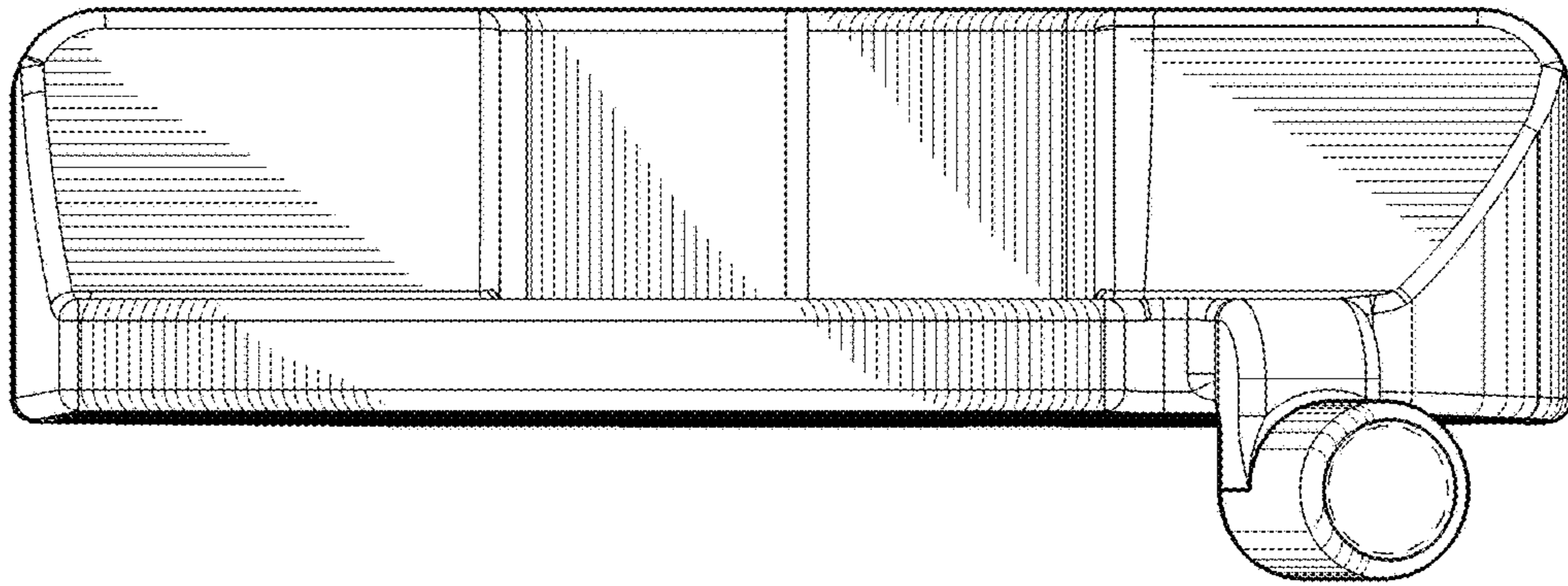


Fig. 13

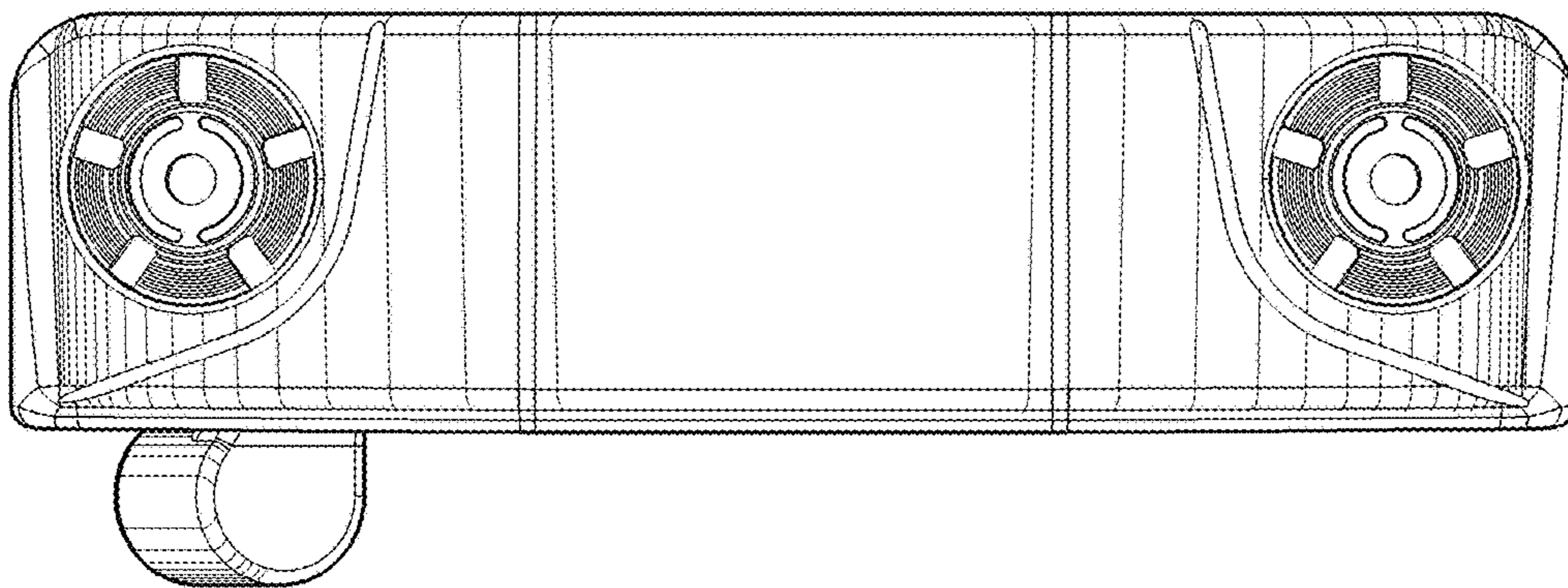


Fig. 14

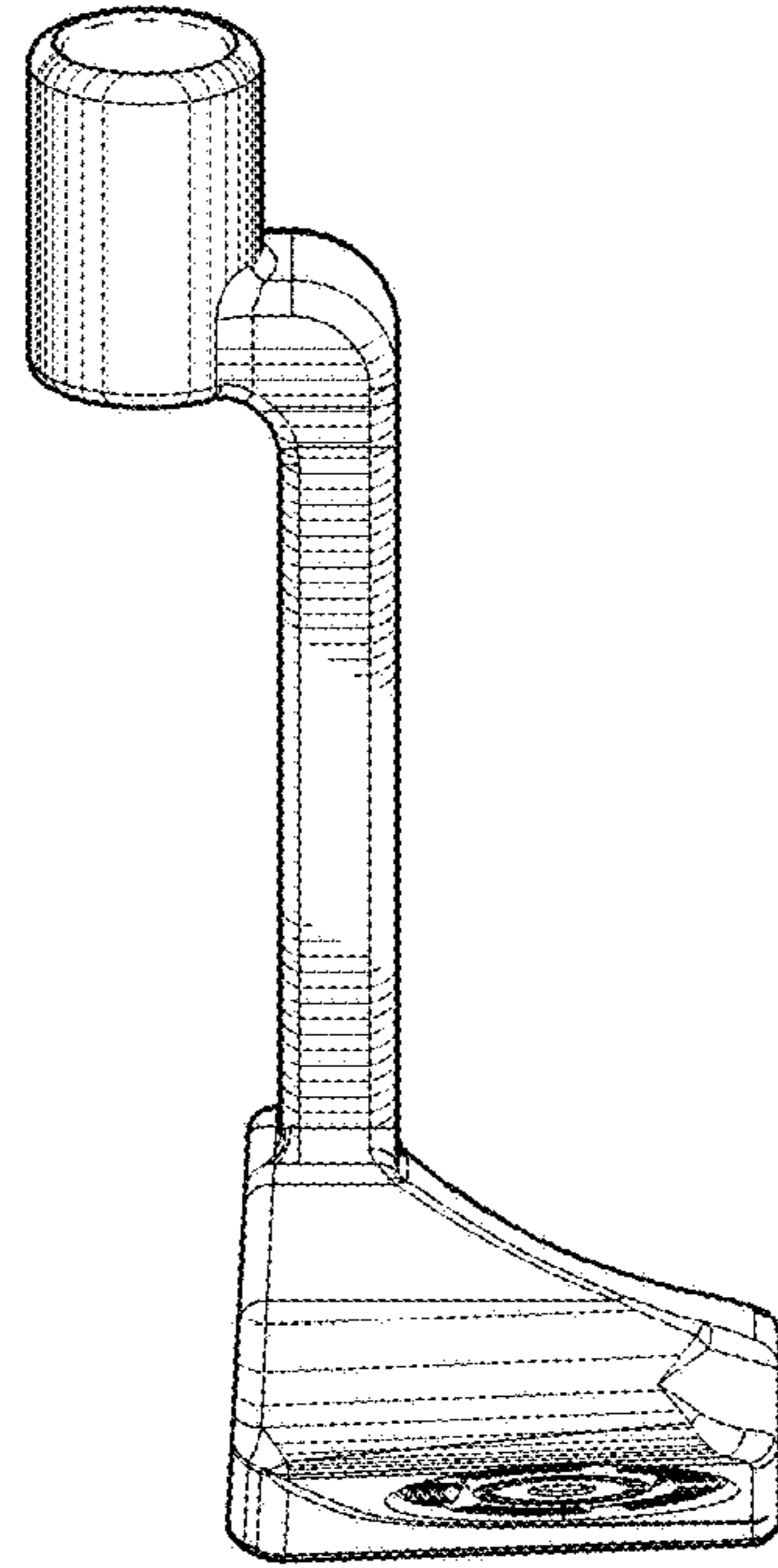


Fig. 15

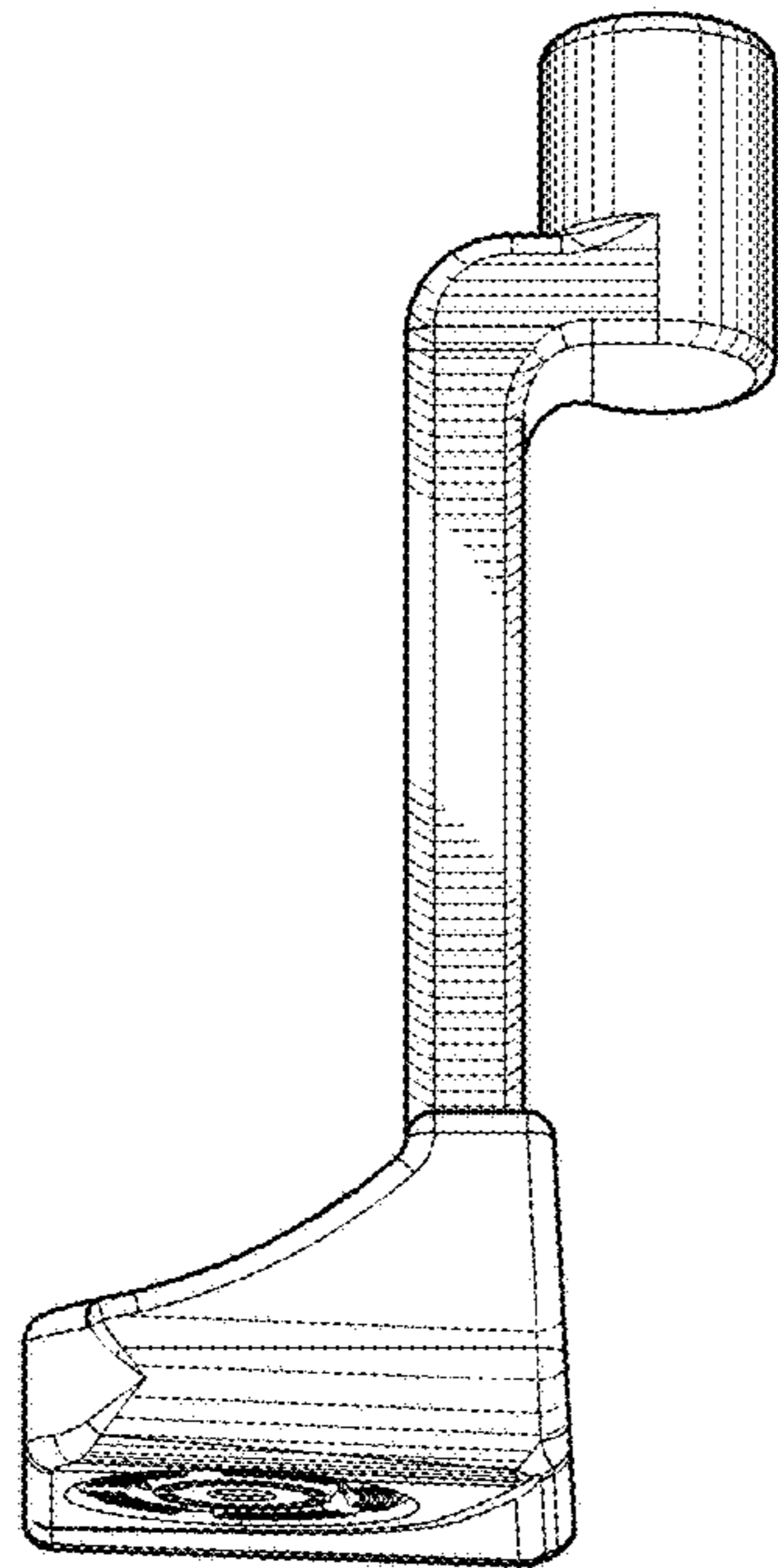


Fig. 16