



US00D825697S

(12) **United States Design Patent**
Mercenari Uribe

(10) **Patent No.:** **US D825,697 S**

(45) **Date of Patent:** **** Aug. 14, 2018**

(54) **MULTIPURPOSE EXERCISE PLATFORM**

(71) Applicant: **Fernando Humberto Mercenari Uribe**, Mexico City (MX)

(72) Inventor: **Fernando Humberto Mercenari Uribe**, Mexico City (MX)

(**) Term: **15 Years**

(21) Appl. No.: **29/585,519**

(22) Filed: **Nov. 25, 2016**

(30) **Foreign Application Priority Data**

May 27, 2016 (MX) MX/f/2016/001629

(51) **LOC (11) Cl.** **21-02**

(52) **U.S. Cl.**
USPC **D21/687**

(58) **Field of Classification Search**
USPC 482/121–123, 129–130, 140–142,
482/146–147, 52, 79–80; D21/662,
D21/670–671, 685–686, 688, 689,
D21/692–694; D25/65; D6/349, 350
CPC A63B 23/0458
See application file for complete search history.

(56) **References Cited**

U.S. PATENT DOCUMENTS

D519,172 S * 4/2006 Penat D21/671
D585,098 S * 1/2009 Rauwerdink D21/686
D626,607 S * 11/2010 Kim D21/671
D634,377 S * 3/2011 Byle D21/662

D680,599 S * 4/2013 Orenstein D21/671
D695,367 S * 12/2013 Lovegrove D21/671
D717,381 S * 11/2014 Orenstein D21/671
2011/0269605 A1 * 11/2011 Kim A63B 21/4035
482/121
2013/0217545 A1 * 8/2013 Orenstein A63B 23/0458
482/52
2014/0087927 A1 * 3/2014 Richard A63B 71/0036
482/123
2017/0080284 A1 * 3/2017 Hillson A63B 23/0458

* cited by examiner

Primary Examiner — Cynthia Ramirez

Assistant Examiner — Michael A Maharajh

(74) *Attorney, Agent, or Firm* — The Webb Law Firm

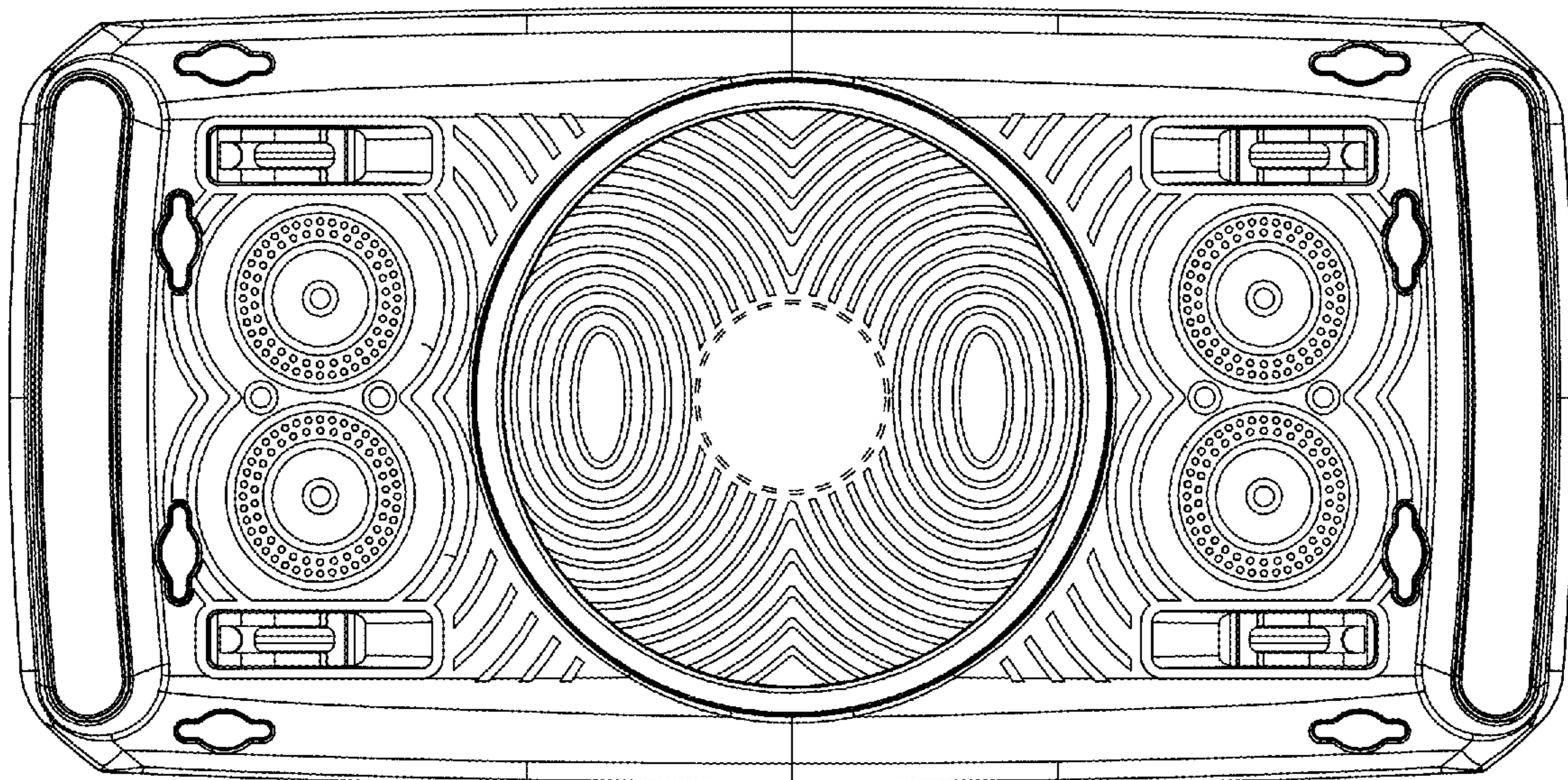
(57) **CLAIM**

The ornamental design for a multipurpose exercise platform, as shown and described.

DESCRIPTION

FIG. 1 is a top view of a multipurpose exercise platform showing my new design;
FIG. 2 is a bottom view thereof;
FIG. 3 is a side elevation view thereof;
FIG. 4 is an enlarged front elevation view thereof;
FIG. 5 is a lower perspective view thereof; and,
FIG. 6 is an upper perspective view thereof.
The broken lines in the figures are for the purposes of illustrating portions of the multipurpose exercise platform, which form no part of the claimed design.

1 Claim, 6 Drawing Sheets



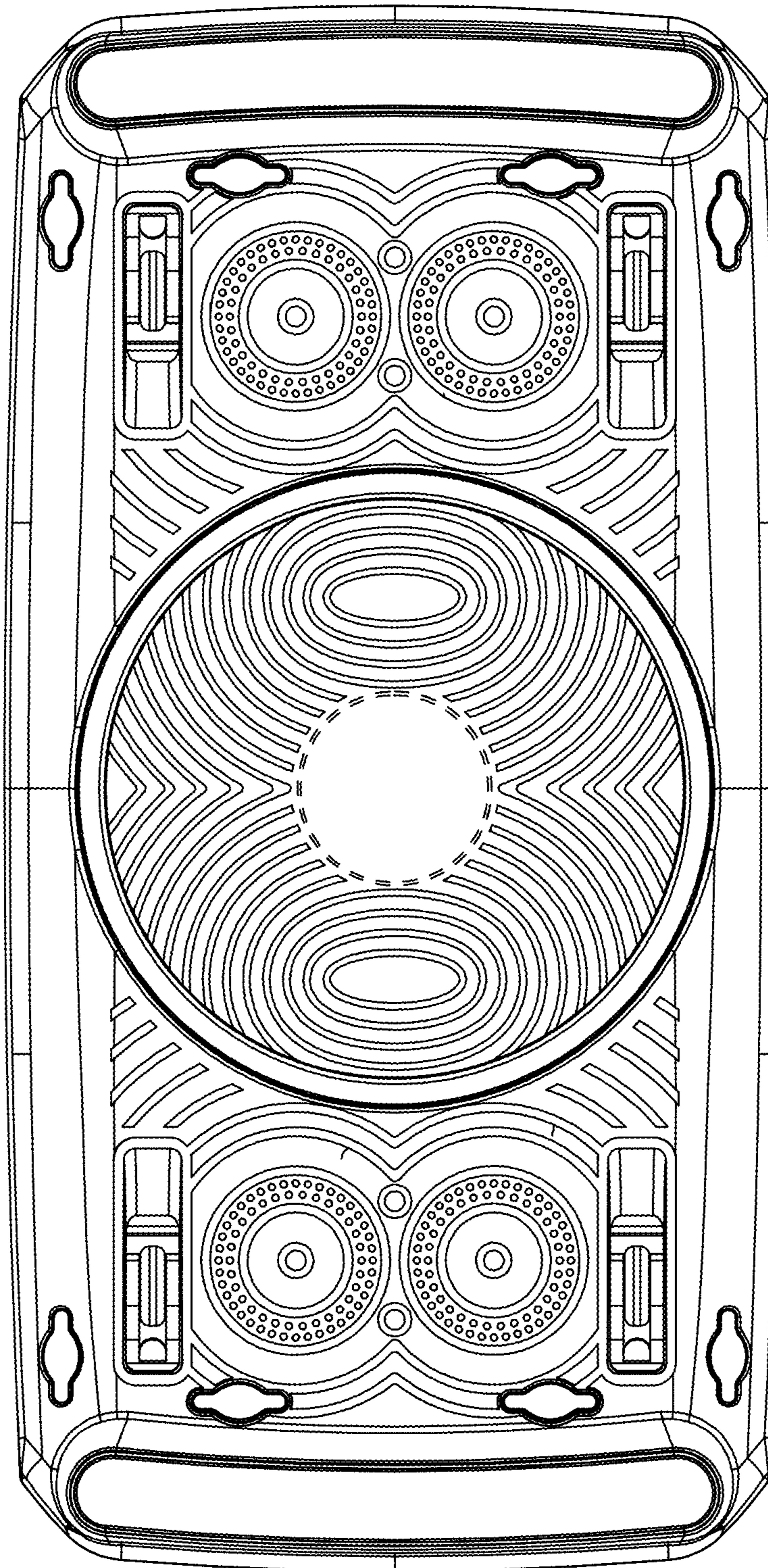


FIG. 1

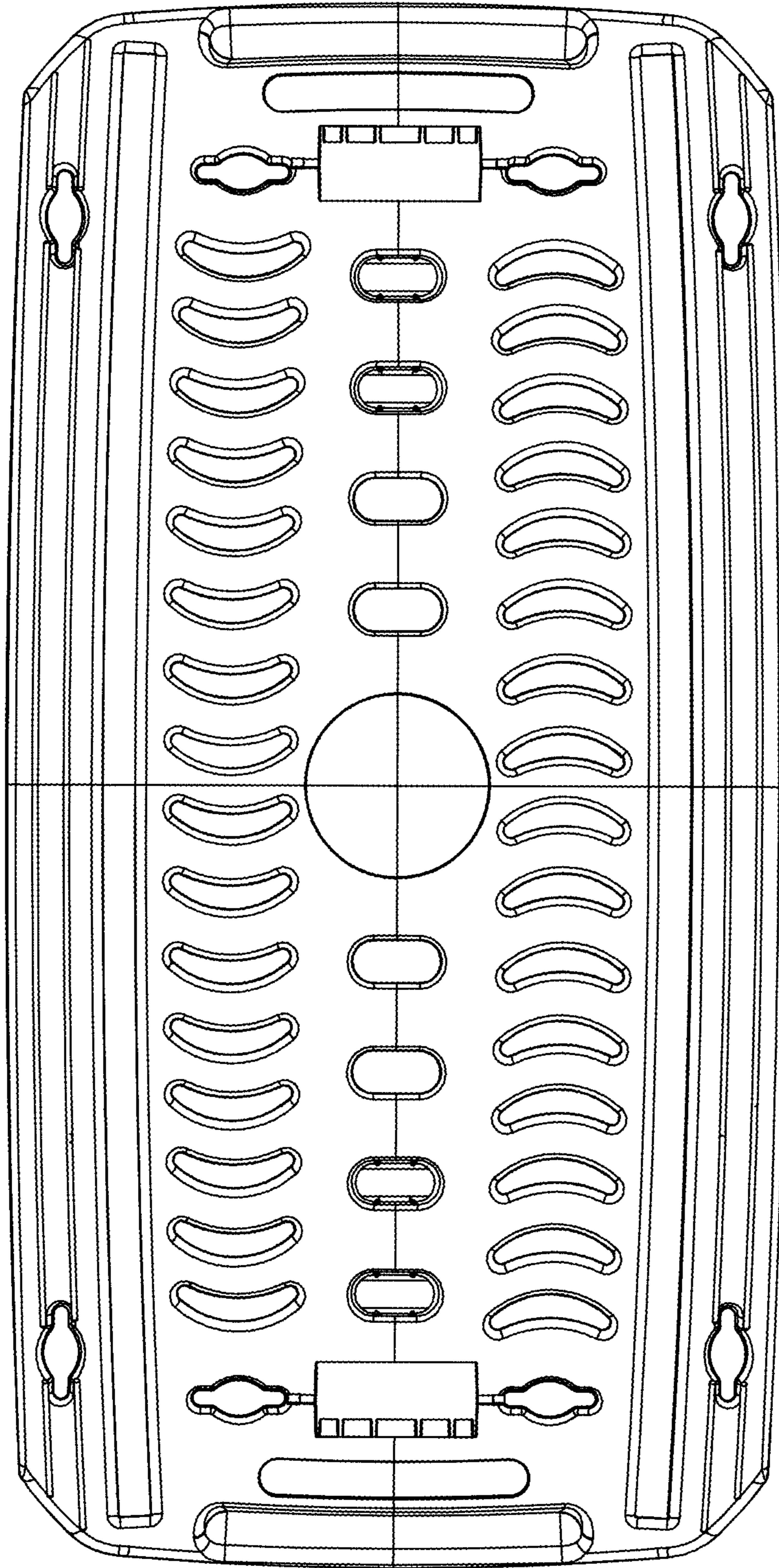


FIG. 2

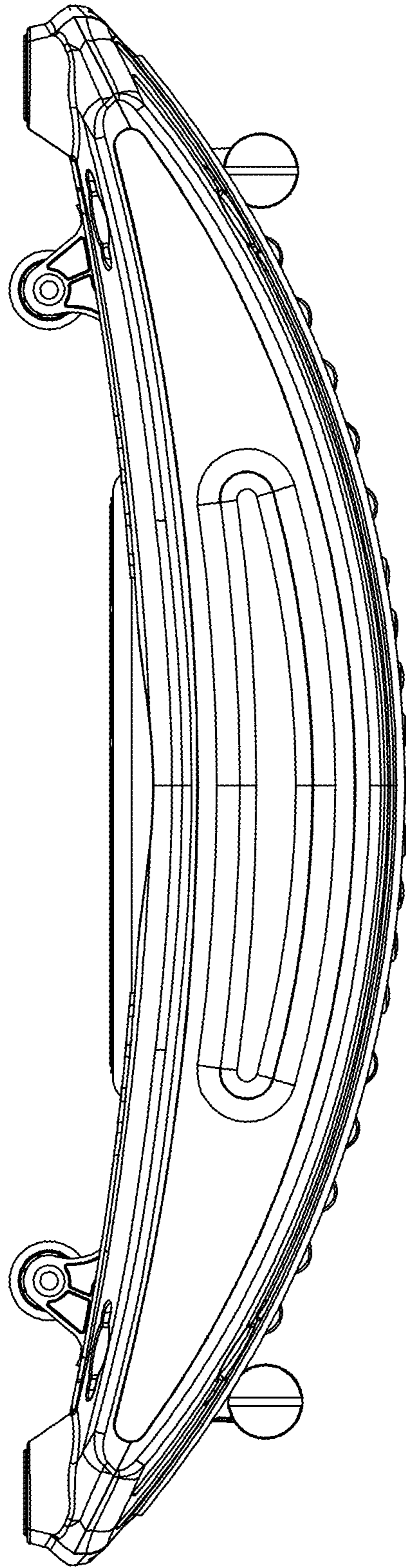


FIG. 3

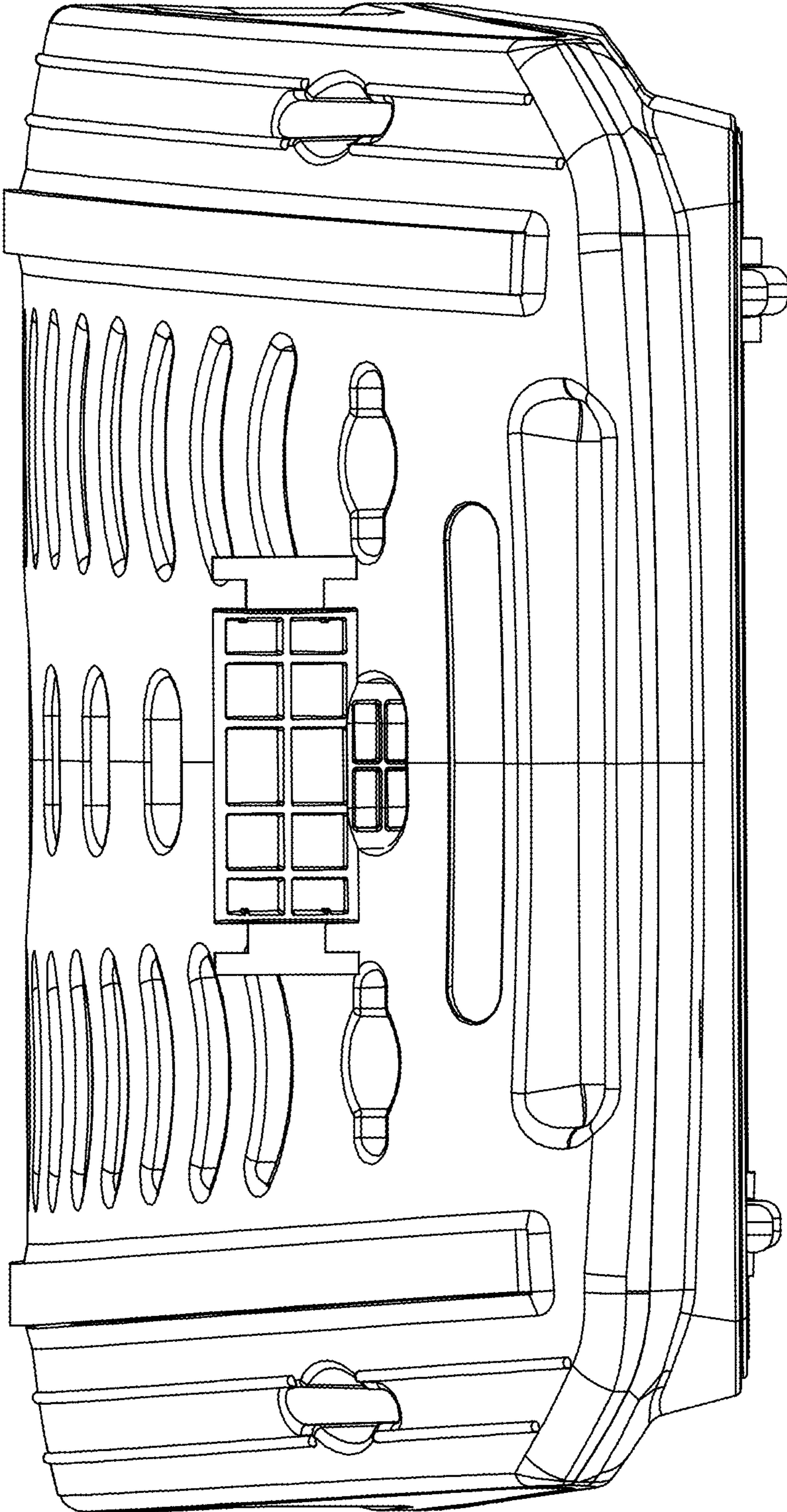


FIG. 4

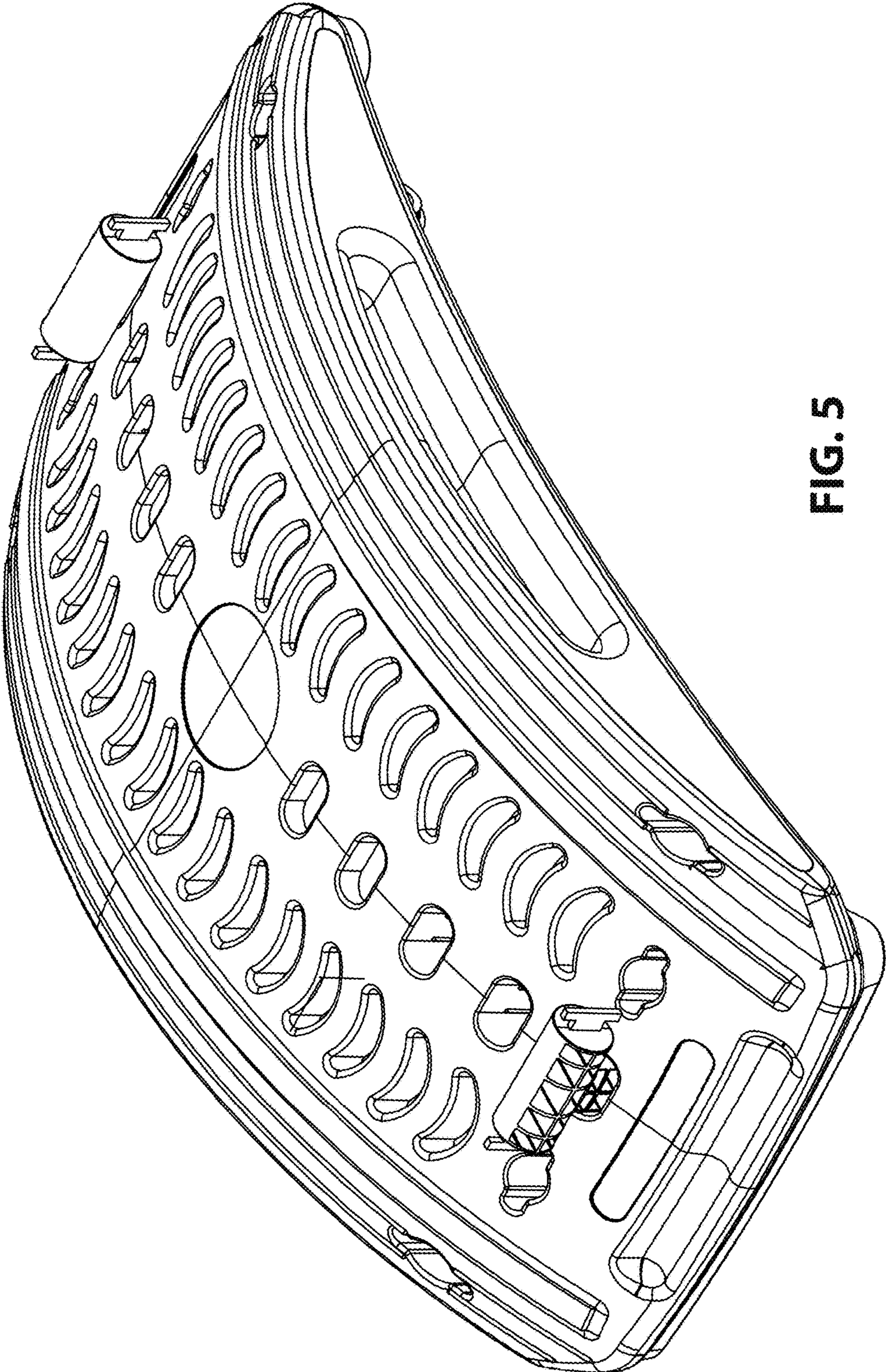


FIG. 5

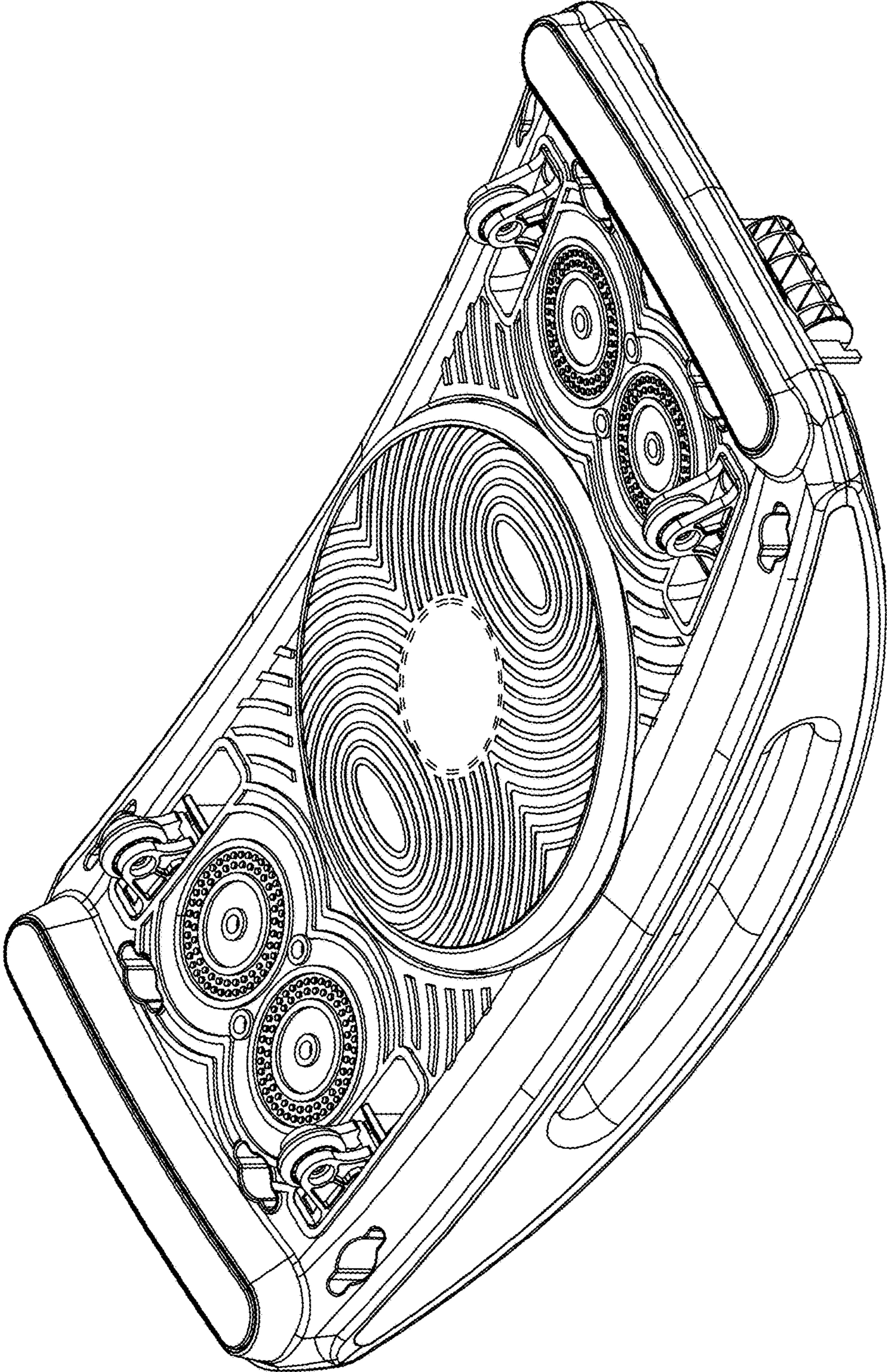


FIG. 6