



US00D825695S

(12) **United States Design Patent** (10) **Patent No.:** **US D825,695 S**
Kim (45) **Date of Patent:** **** Aug. 14, 2018**

(54) **FOAM ROLLER FOR PHYSICAL TRAINING**

(71) Applicant: **NAUM CARE CORP.**, Gyeonggi-Do (KR)

(72) Inventor: **Byung-Yong Kim**, Gyeonggi-Do (KR)

(73) Assignee: **Naum Care Corp.** (KR)

(**) Term: **15 Years**

(21) Appl. No.: **29/574,875**

(22) Filed: **Aug. 19, 2016**

(30) **Foreign Application Priority Data**

Mar. 18, 2016 (KR) 30-2016-0012741

(51) **LOC (11) Cl.** **21-02**

(52) **U.S. Cl.**
USPC **D21/662**

(58) **Field of Classification Search**

USPC ... 482/106, 51, 93, 109, 110, 139, 142, 148, 482/44, 45, 46, 141, 95, 50, 129, 127; D21/680, 798, 692, 662, 804, 686, 671, D21/691, 682, 694, 687, 654, 487, 679, D21/684, 688, 412, 685, 400, 791, 725, D21/386; D24/188, 211, 141, 215, 190, D24/200, 231, 106, 171; D30/160, 119; D6/601, 598, 604, 691.4, 597, 348, 361, D6/596, 606; 601/112, 121, 122, 46, 15, 601/19, 120, 134, 135, 131; 220/4.07, 220/4.24, 4.27, 666; D3/307, 290, 299, D3/289, 287, 254, 246, 228, 302, 300, D3/301, 276, 11; 476/256, 519, 549, 476/558, 559, 564, 118, 457, 219, 513, 476/560, 568, 409; D7/608
CPC A61H 15/0092; A61H 2201/0207; A61H 15/00; A61H 2205/081; A61H 23/0263; A61H 7/001; A61H 2015/0014; A61H 2201/1284; A61H 39/04

See application file for complete search history.

(56) **References Cited**

U.S. PATENT DOCUMENTS

1,882,490 A * 10/1932 Falck A61H 15/0092
492/36
2,767,707 A * 10/1956 Toivonen A61H 15/00
601/118
3,205,888 A * 9/1965 Stroop A61H 15/00
482/54
4,345,757 A * 8/1982 Lo Voi A61H 15/0092
482/132
6,129,687 A * 10/2000 Powell A61H 15/02
220/4.07
D657,830 S * 4/2012 Guarrasi D21/662
D660,450 S * 5/2012 Johnson D24/215

(Continued)

FOREIGN PATENT DOCUMENTS

DE 10 2015 002 235 12/2015

OTHER PUBLICATIONS

Hyperice, "Vyper," hyperice.com/vyper, Oct. 5, 2016.

Primary Examiner — Philip S Hyder

Assistant Examiner — Ryan Harvey

(74) *Attorney, Agent, or Firm* — Emerson Thomson
Bennett LLC; Daniel A. Thomson

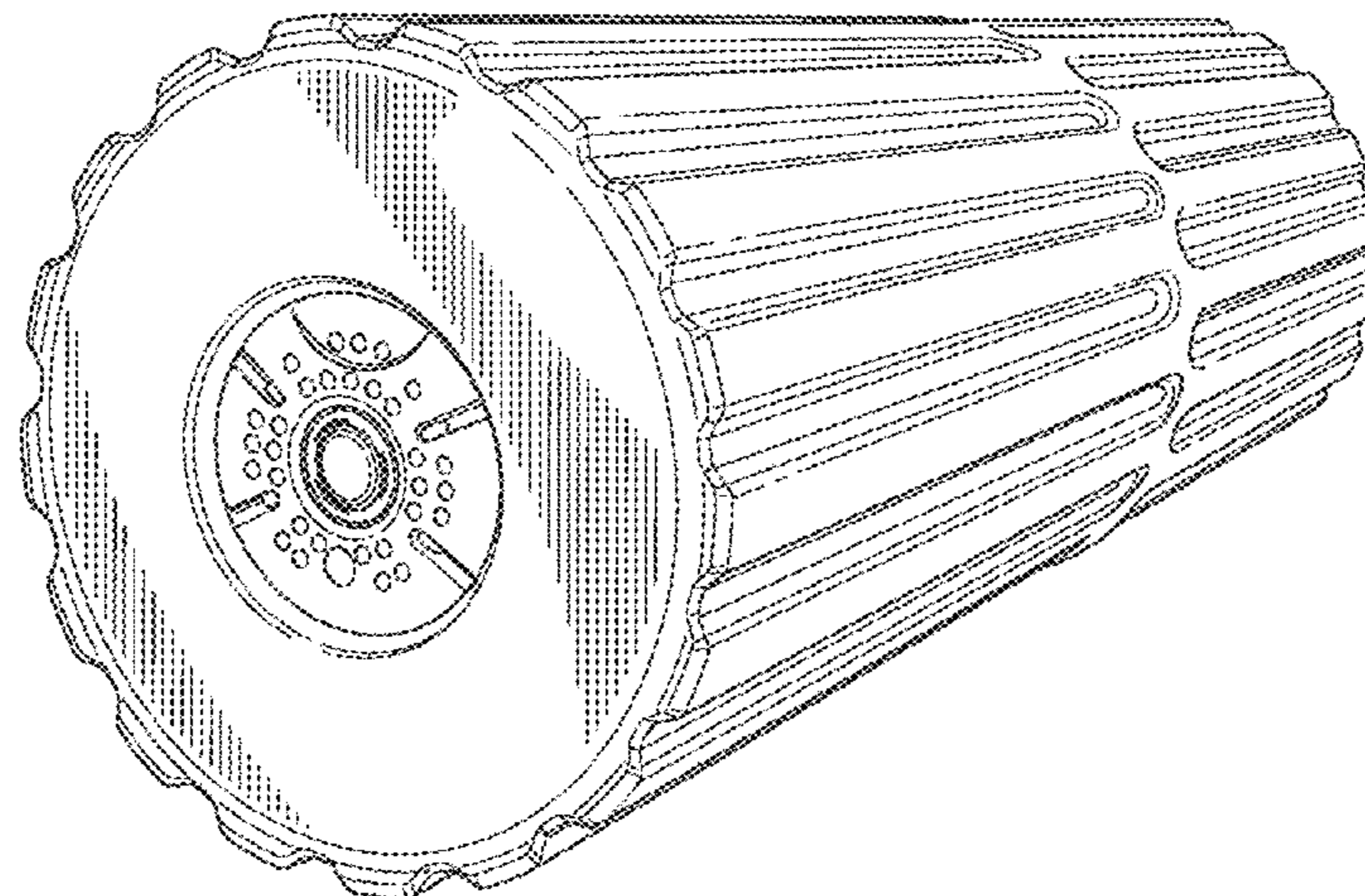
(57) **CLAIM**

The ornamental design for the foam roller for physical training, as shown and described.

DESCRIPTION

FIG. 1 is a perspective view of a foam roller;
FIG. 2 is a front view of the foam roller;
FIG. 3 is a rear view of the foam roller;
FIG. 4 is a left side view of the foam roller;
FIG. 5 is a right side view of the foam roller;
FIG. 6 is a top plan view of the foam roller; and,
FIG. 7 is a bottom view of the foam roller.

1 Claim, 6 Drawing Sheets



(56)

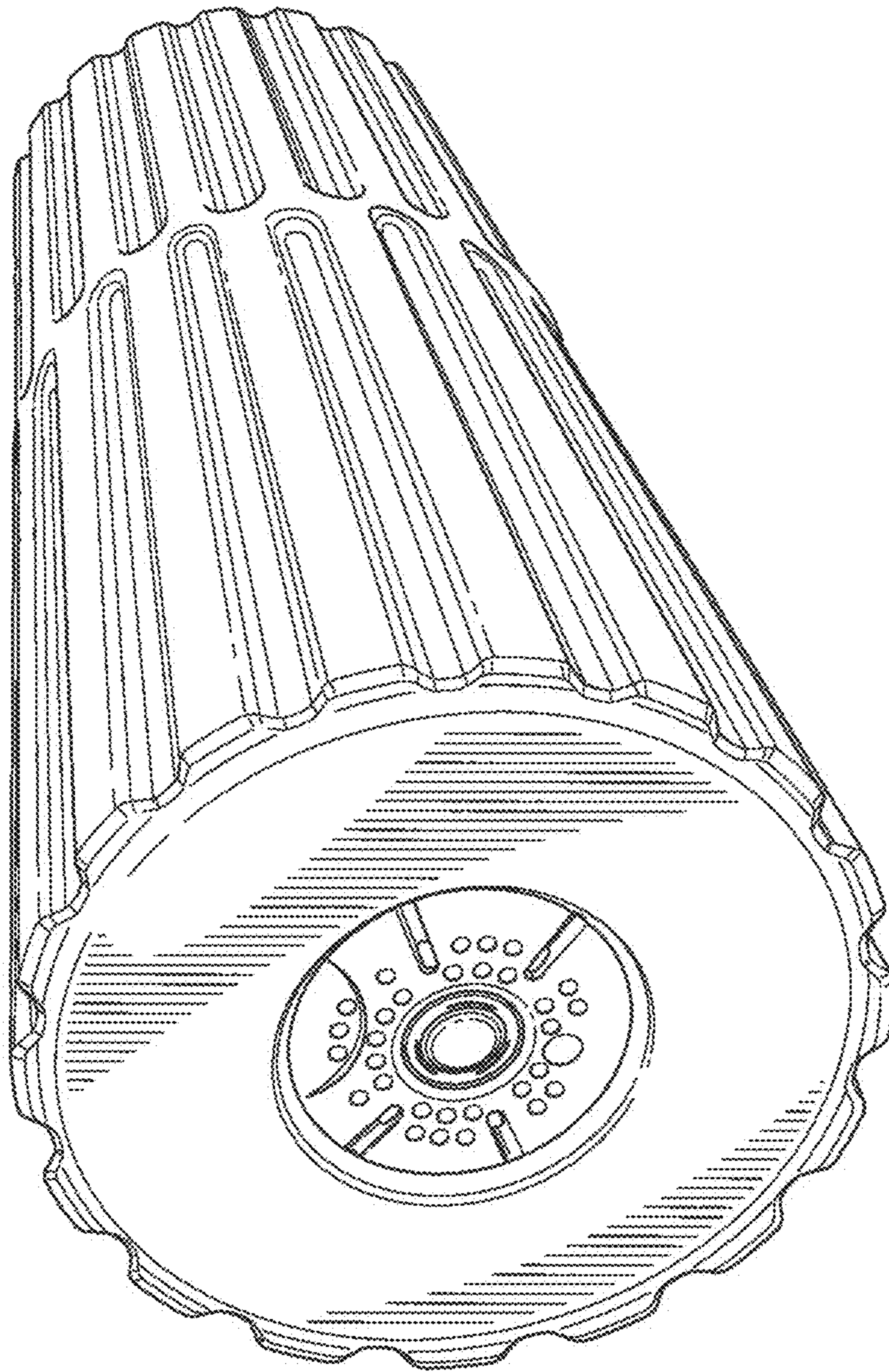
References Cited

U.S. PATENT DOCUMENTS

D693,934 S * 11/2013 Lin D24/215
D713,050 S * 9/2014 Kao A61H 15/00
D24/211
8,821,352 B2 * 9/2014 Crowell A61H 15/0092
482/11
D714,952 S * 10/2014 Gonglach A61H 15/00
D24/211
D737,456 S * 8/2015 McDonough D24/211
D788,313 S * 5/2017 Lawrie D24/211
2008/0090707 A1 * 4/2008 Dye A61H 15/0092
482/132
2009/0131234 A1 * 5/2009 Dye A61H 15/0092
482/132
2012/0035029 A1 * 2/2012 Dye A61H 15/0092
482/132
2013/0096472 A1 * 4/2013 Bertram A61H 15/0092
601/120
2016/0008692 A1 * 1/2016 Townsend A45C 9/00
206/315.1

* cited by examiner

FIG. 1



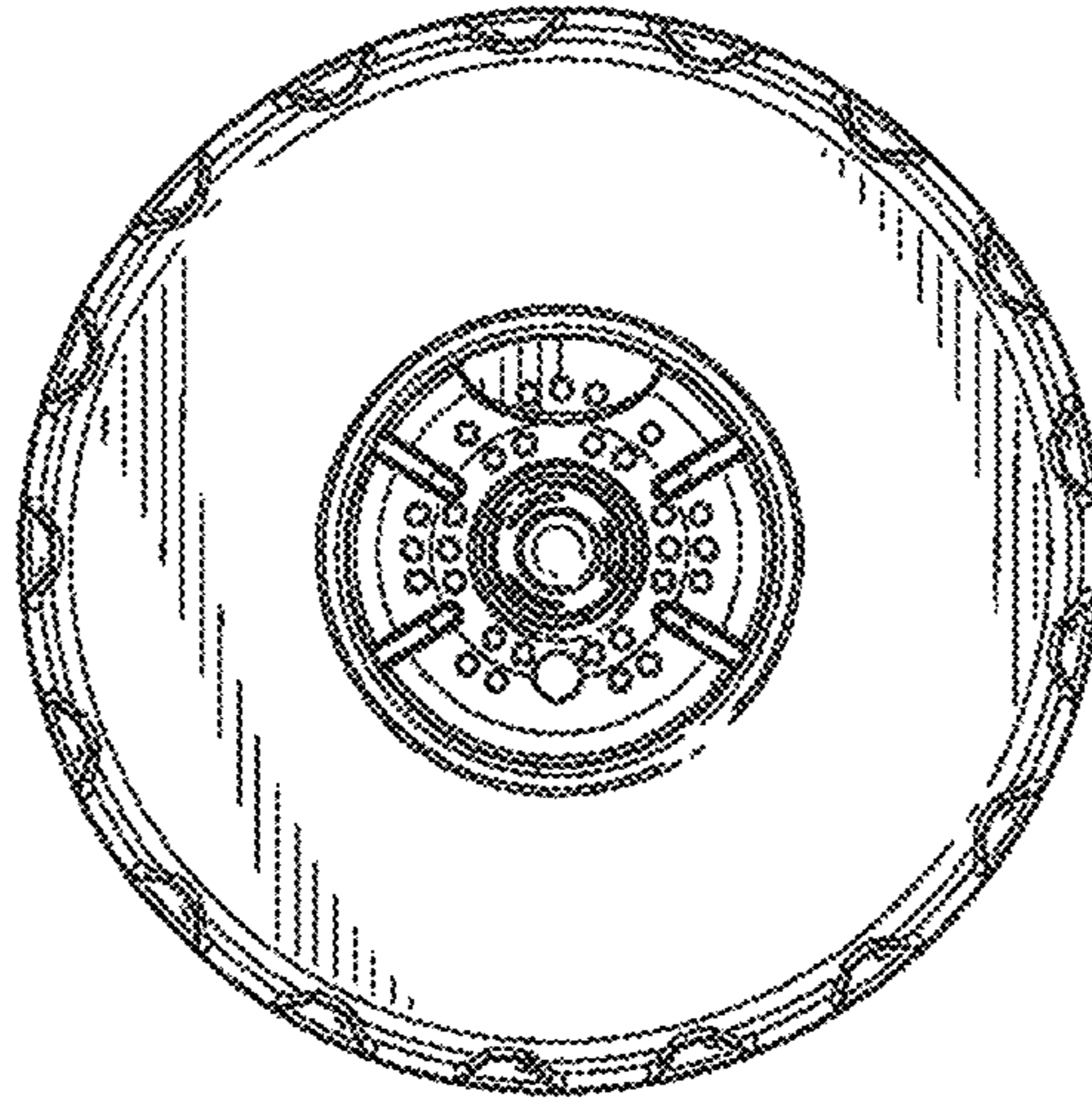


FIG. 2

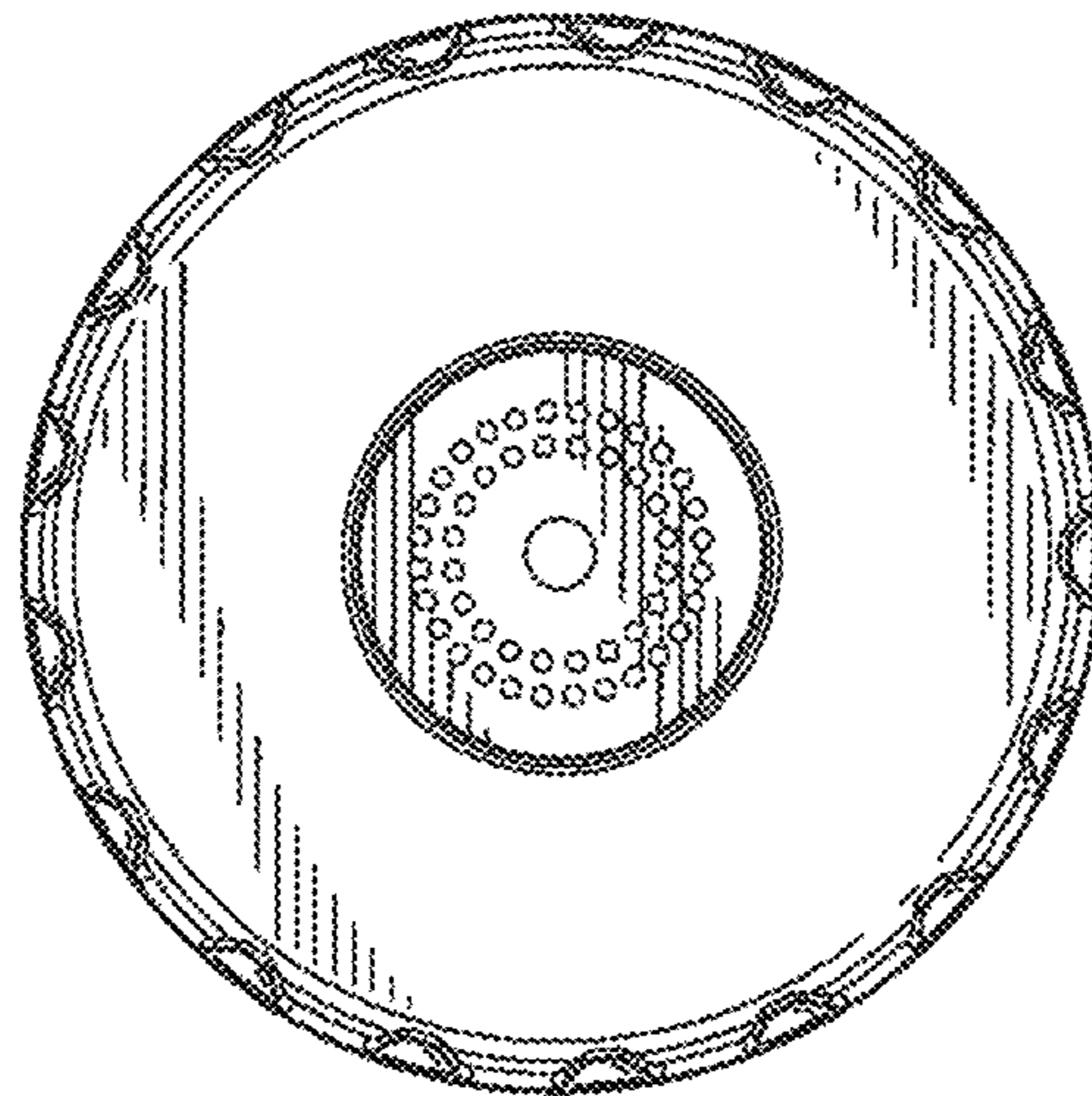


FIG. 3

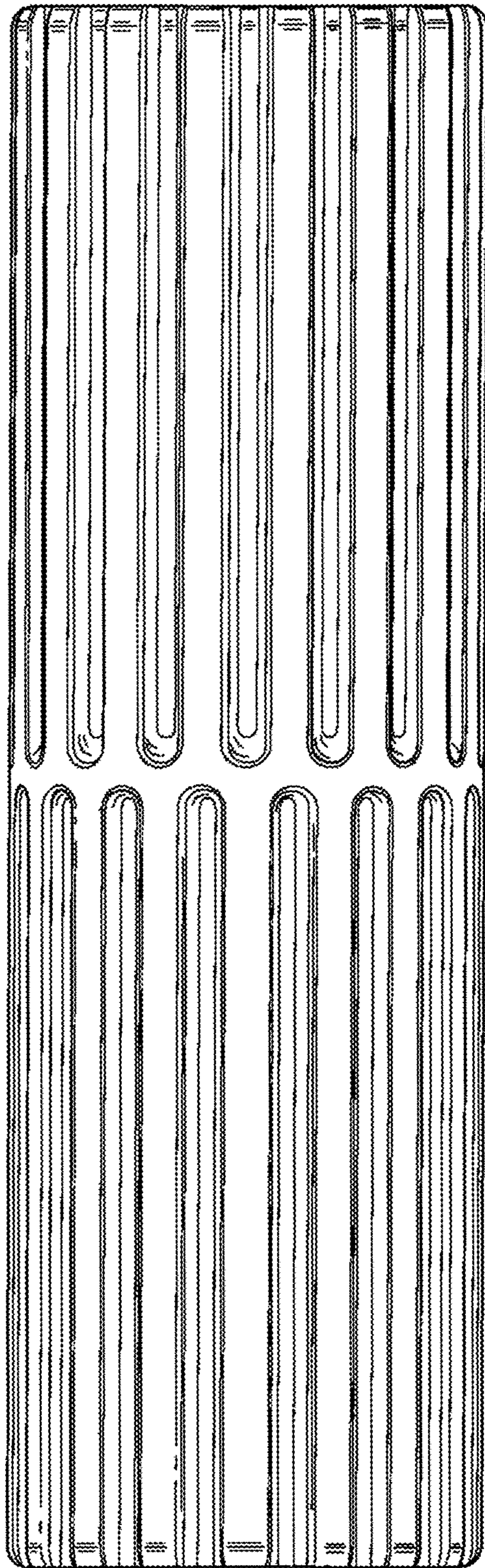


FIG. 4

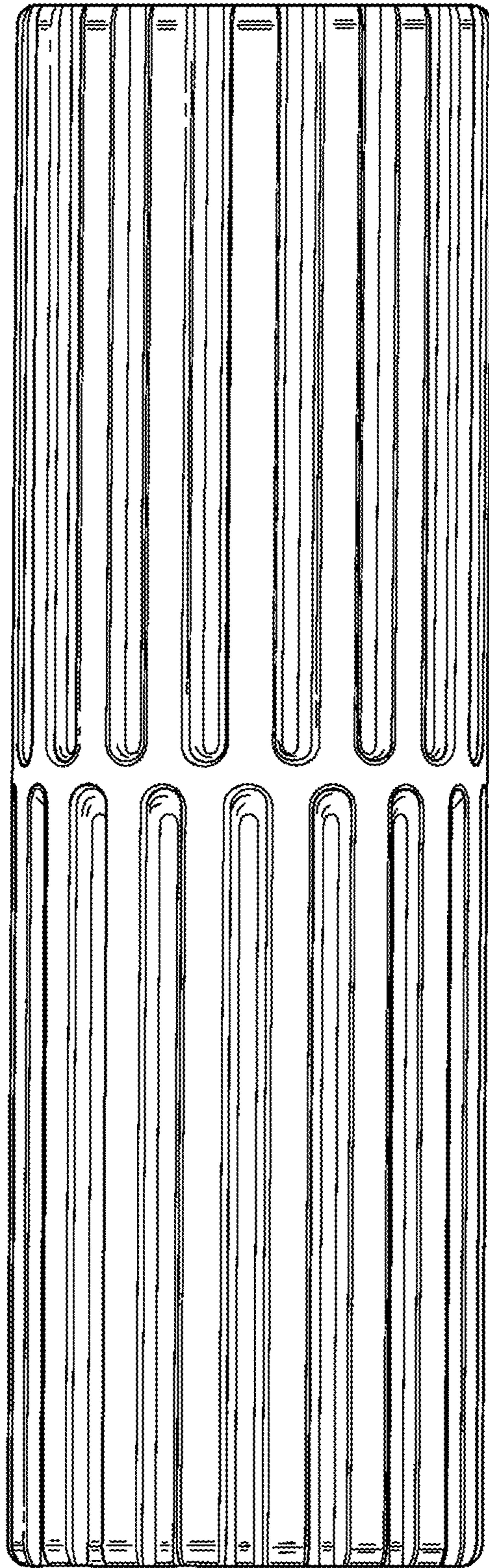


FIG. 5

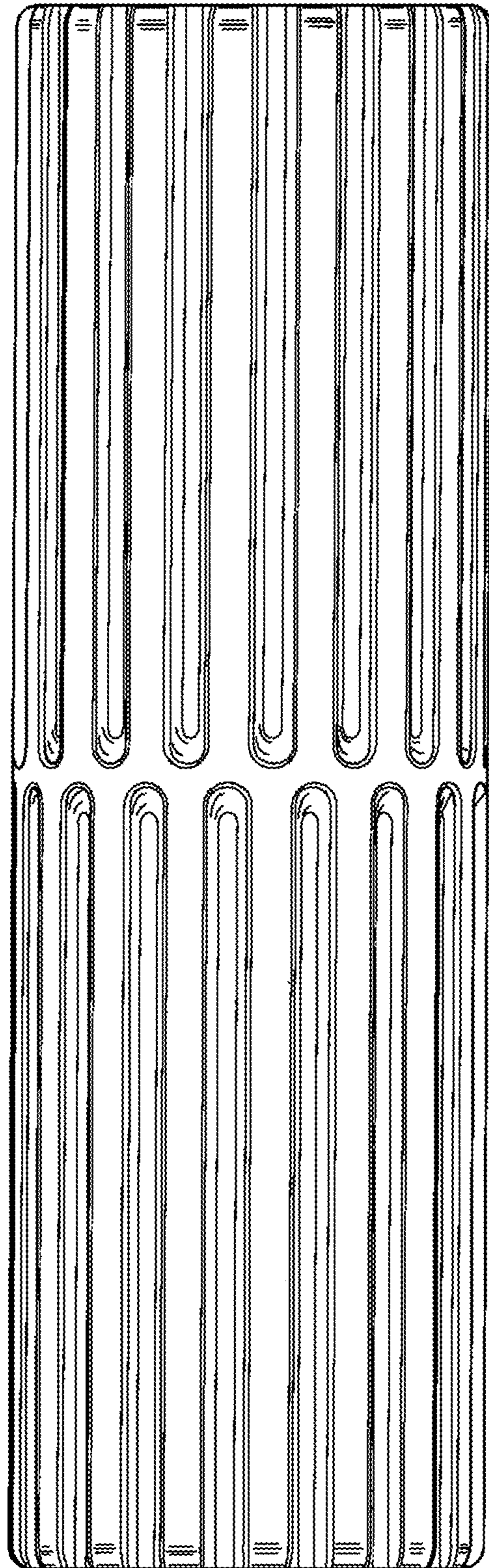


FIG. 6

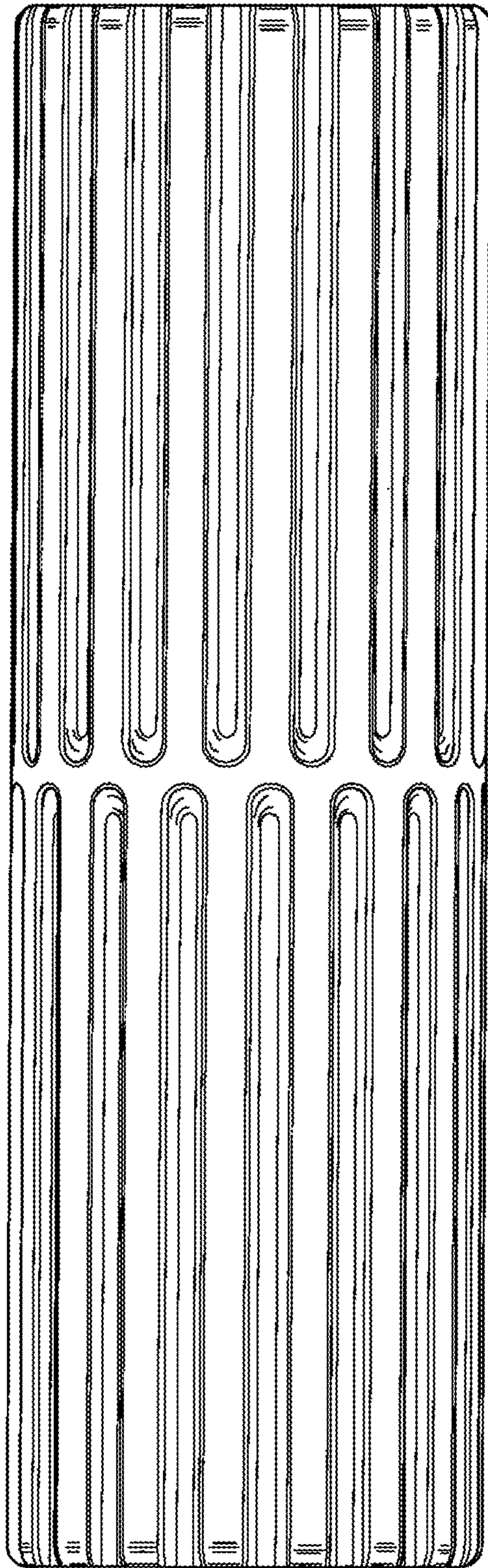


FIG. 7