



US00D825678S

(12) **United States Design Patent**
Sisamos

(10) **Patent No.:** **US D825,678 S**
(45) **Date of Patent:** **** Aug. 14, 2018**

(54) **SNAP-LOCK CONSTRUCTION TOY**

FOREIGN PATENT DOCUMENTS

(71) Applicant: **Engino Toy Systems**, Limassol (CY)

WO 2008150160 A1 12/2008

(72) Inventor: **Costas Sisamos**, Limassol (CY)

* cited by examiner

(73) Assignee: **Costas Sisamos**, Limassol (CY)

Primary Examiner — Cynthia M Chin

(**) Term: **15 Years**

(74) *Attorney, Agent, or Firm* — Eschweiler & Potashnik, LLC

(21) Appl. No.: **29/552,836**

(22) Filed: **Jan. 26, 2016**

(57) **CLAIM**

(51) **LOC (11) Cl.** **21-01**

The ornamental design for a snap-lock construction toy, as shown and described.

(52) **U.S. Cl.**

USPC **D21/502**

(58) **Field of Classification Search**

USPC D21/333, 373, 386, 389, 404, 468, 470,
D21/471, 475, 484-505; D3/304, 314;
D24/101; D9/640

CPC A63H 33/04; A63H 33/06; A63H 33/062;
A63H 33/08; A63H 33/084; A63H
33/088; A63F 9/12; A63F 9/1224

See application file for complete search history.

DESCRIPTION

FIG. 1 illustrates a front, top, and right side perspective view of a snap-lock construction toy;

FIG. 2 illustrates a left, bottom, and rear perspective view thereof;

FIG. 3 illustrates a left, top, and front side perspective view thereof;

FIG. 4 illustrates front elevation view thereof;

FIG. 5 illustrates a top plan view thereof;

FIG. 6 illustrates a bottom plan view thereof;

FIG. 7 illustrates a front, top, and right side perspective view of the snap-lock construction toy of FIGS. 2-7 in an alternate environment;

FIG. 8 illustrates a left, bottom, and rear side perspective view thereof;

FIG. 9 illustrates a left, top, and front side perspective view thereof;

FIG. 10 illustrates a left elevation view thereof;

FIG. 11 illustrates a front elevation view thereof;

FIG. 12 illustrates a top plan view thereof; and,

FIG. 13 illustrates a bottom plan view thereof.

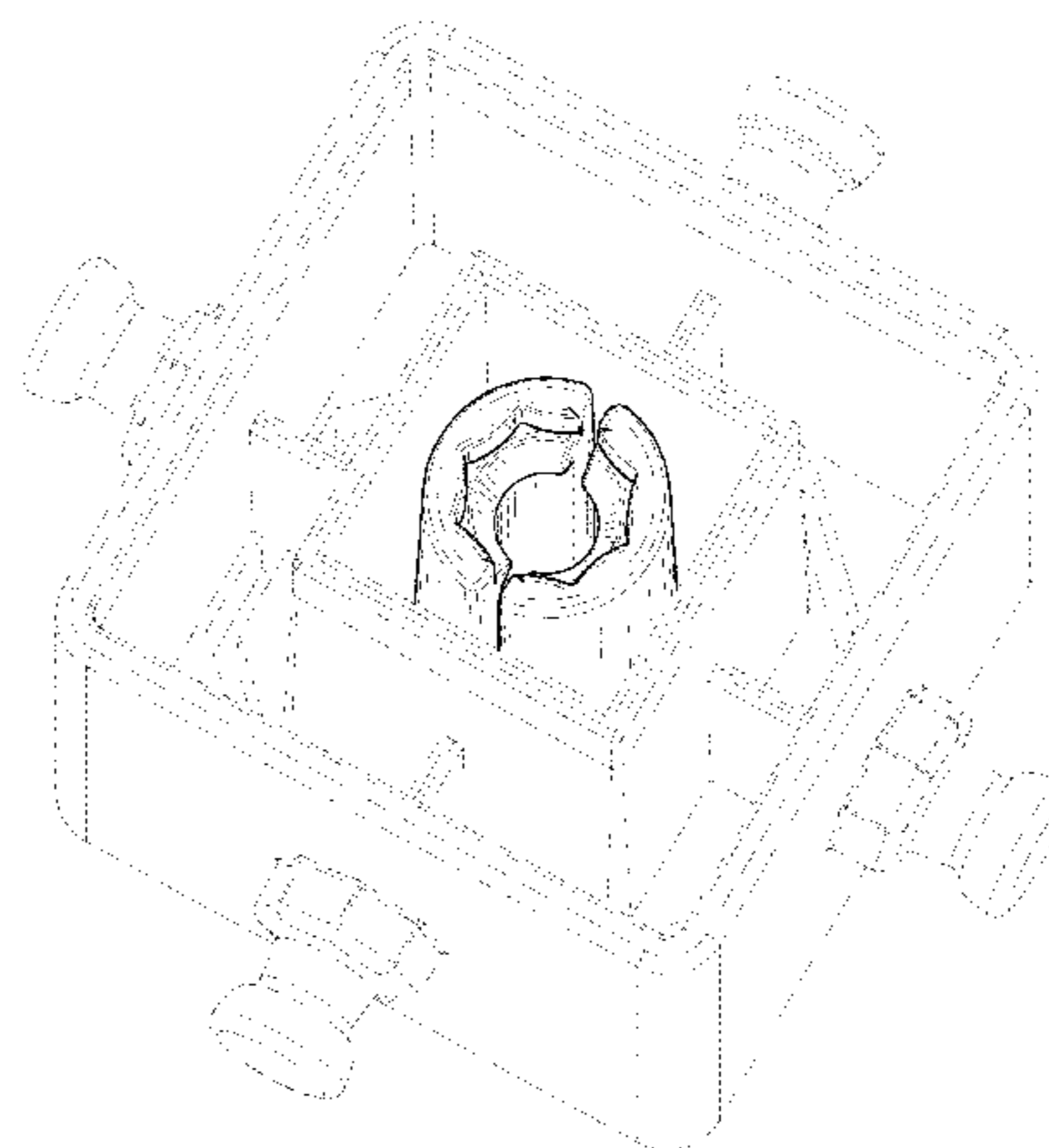
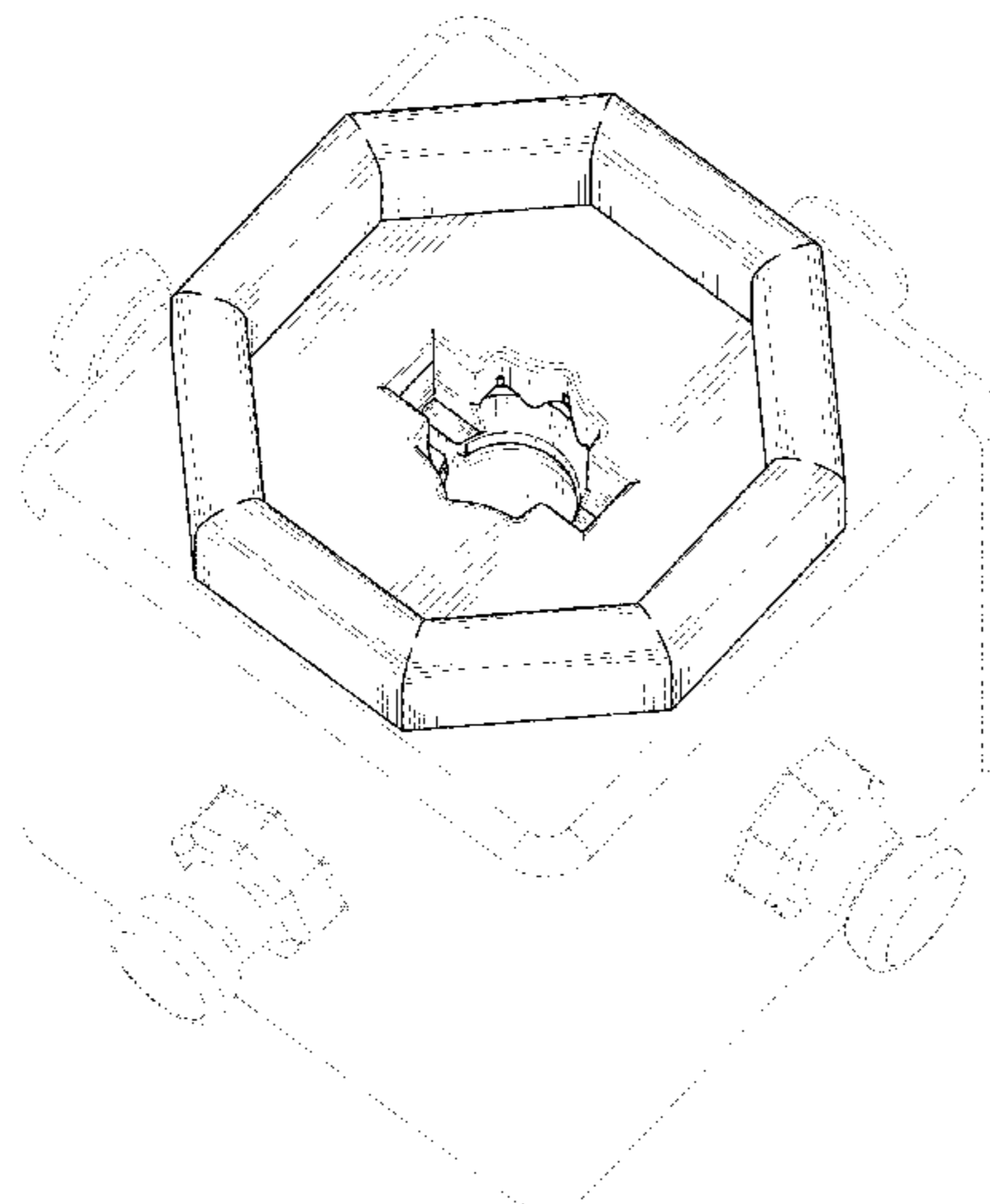
The broken lines represent the environment in which the article resides and forms no part of the claimed design.

(56) **References Cited**

U.S. PATENT DOCUMENTS

4,306,373	A *	12/1981	Chatani	A63H 33/088 446/121
D409,680	S *	5/1999	Krog	D21/502
D437,010	S *	1/2001	Meys	D21/498
D580,995	S *	11/2008	Chun	D21/499
D612,435	S	3/2010	Sisamos		
8,157,470	B2 *	4/2012	De Wilde	A63H 33/106 403/348
D692,507	S *	10/2013	Meys	D21/498
8,651,914	B2	2/2014	Sisamos		
8,961,259	B2	2/2015	Maggiore et al.		
D740,893	S *	10/2015	Simonds	D21/499
D795,359	S *	8/2017	Ahn	D21/499
D812,151	S *	3/2018	Sisamos	D21/501
2002/0106963	A1 *	8/2002	Chiu	A63H 33/086 446/125
2009/0017715	A1 *	1/2009	Grichting	A63H 33/105 446/124

1 Claim, 13 Drawing Sheets



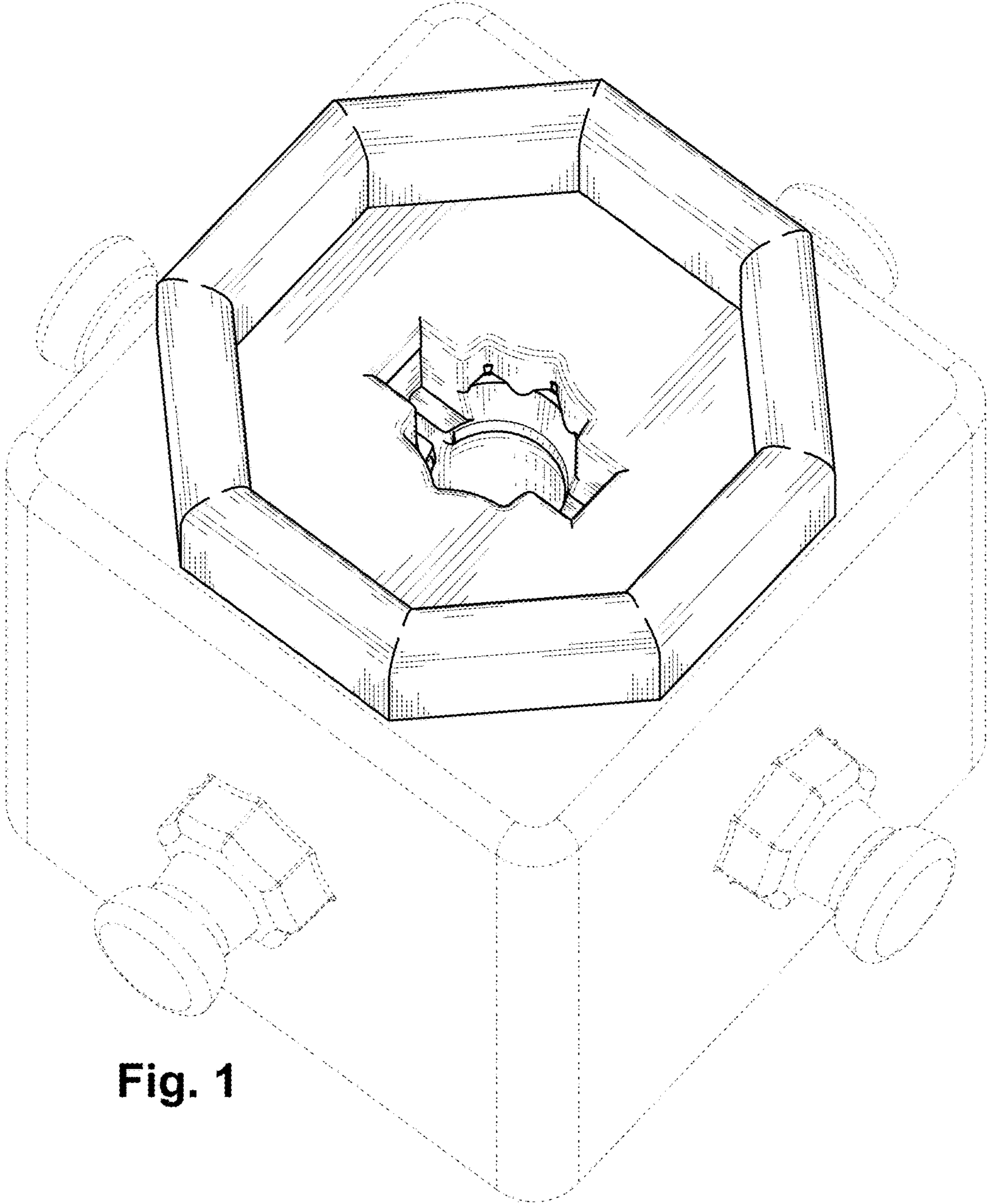


Fig. 1

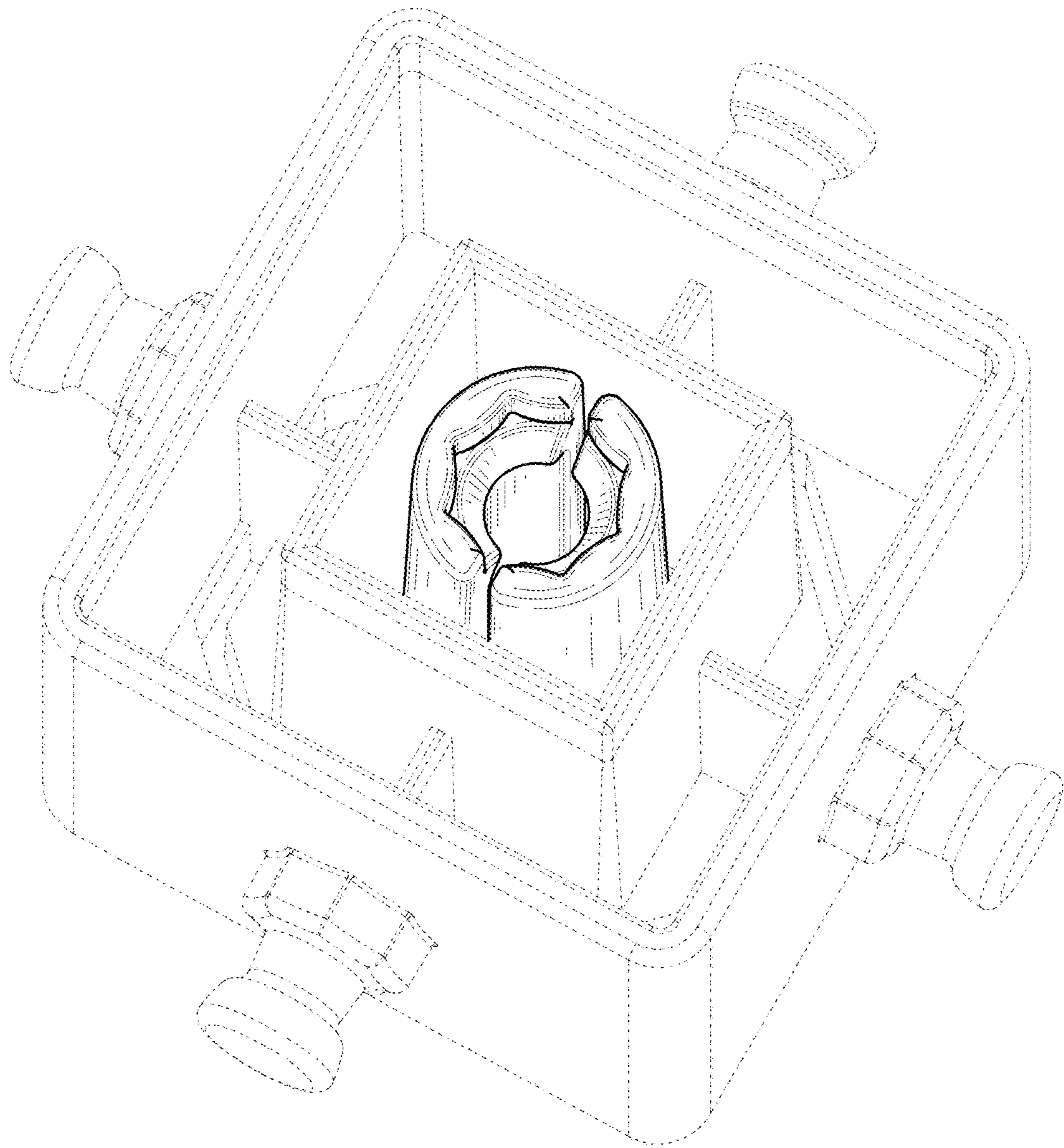


Fig. 2

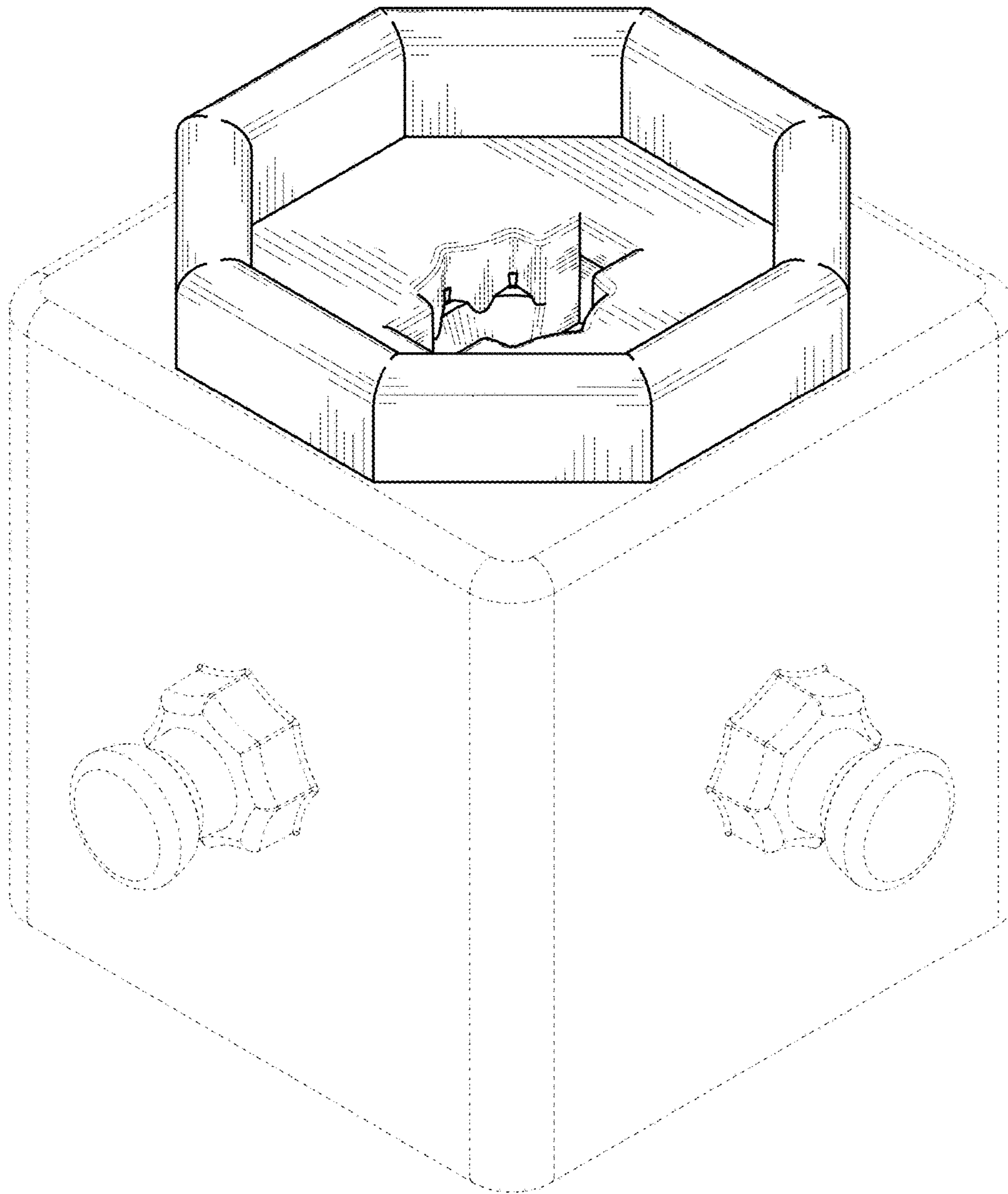


Fig. 3

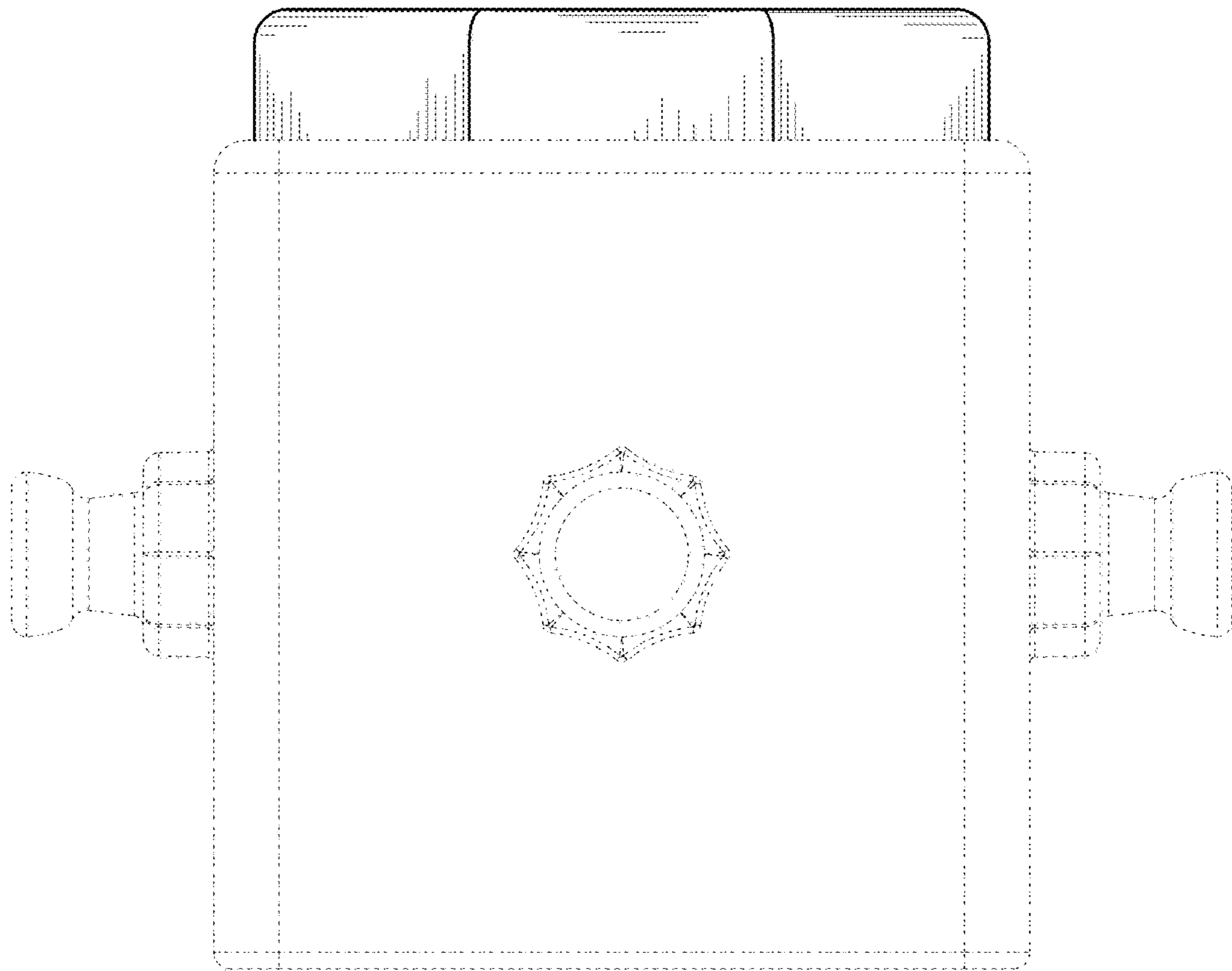


Fig. 4

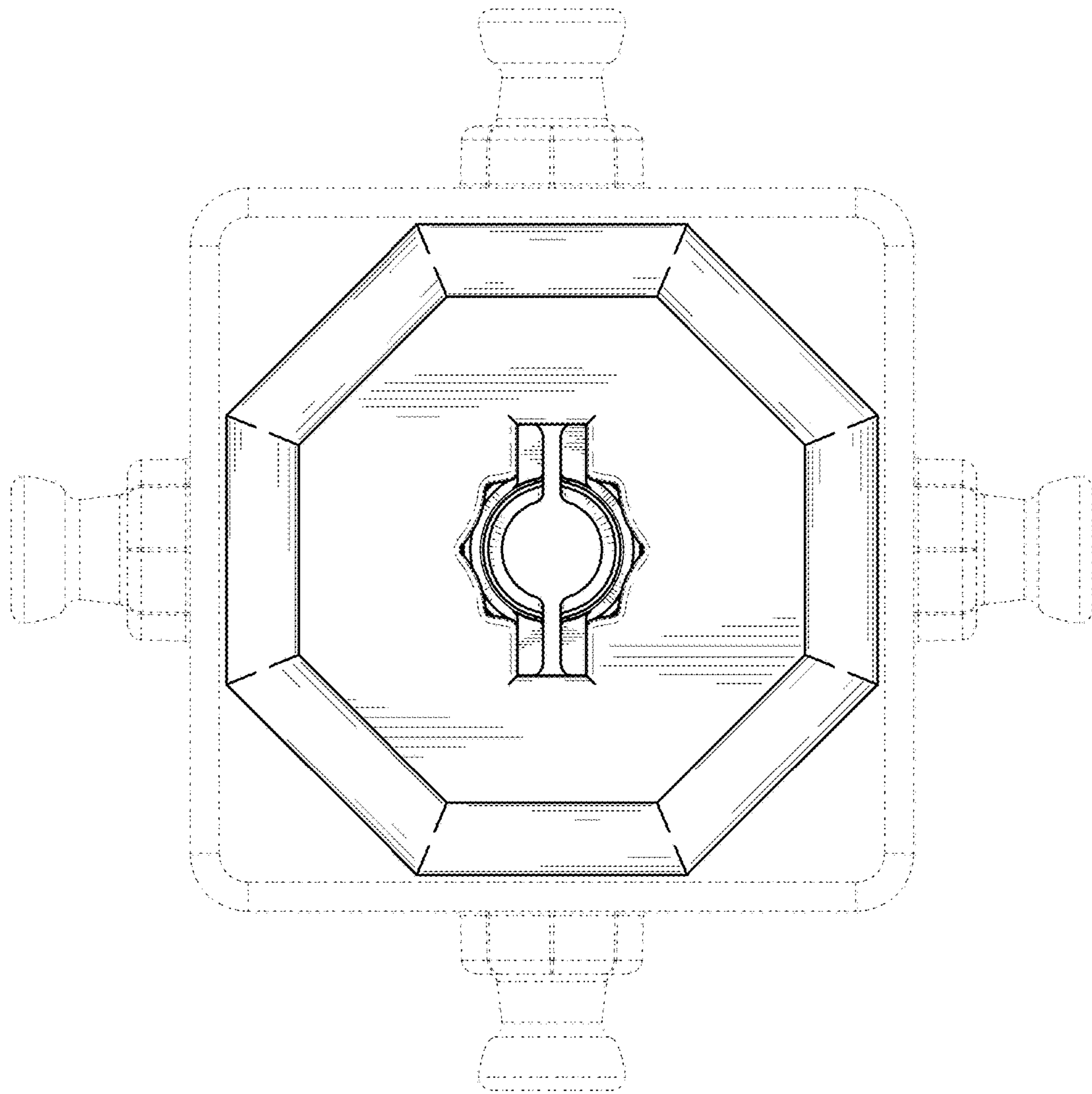


Fig. 5

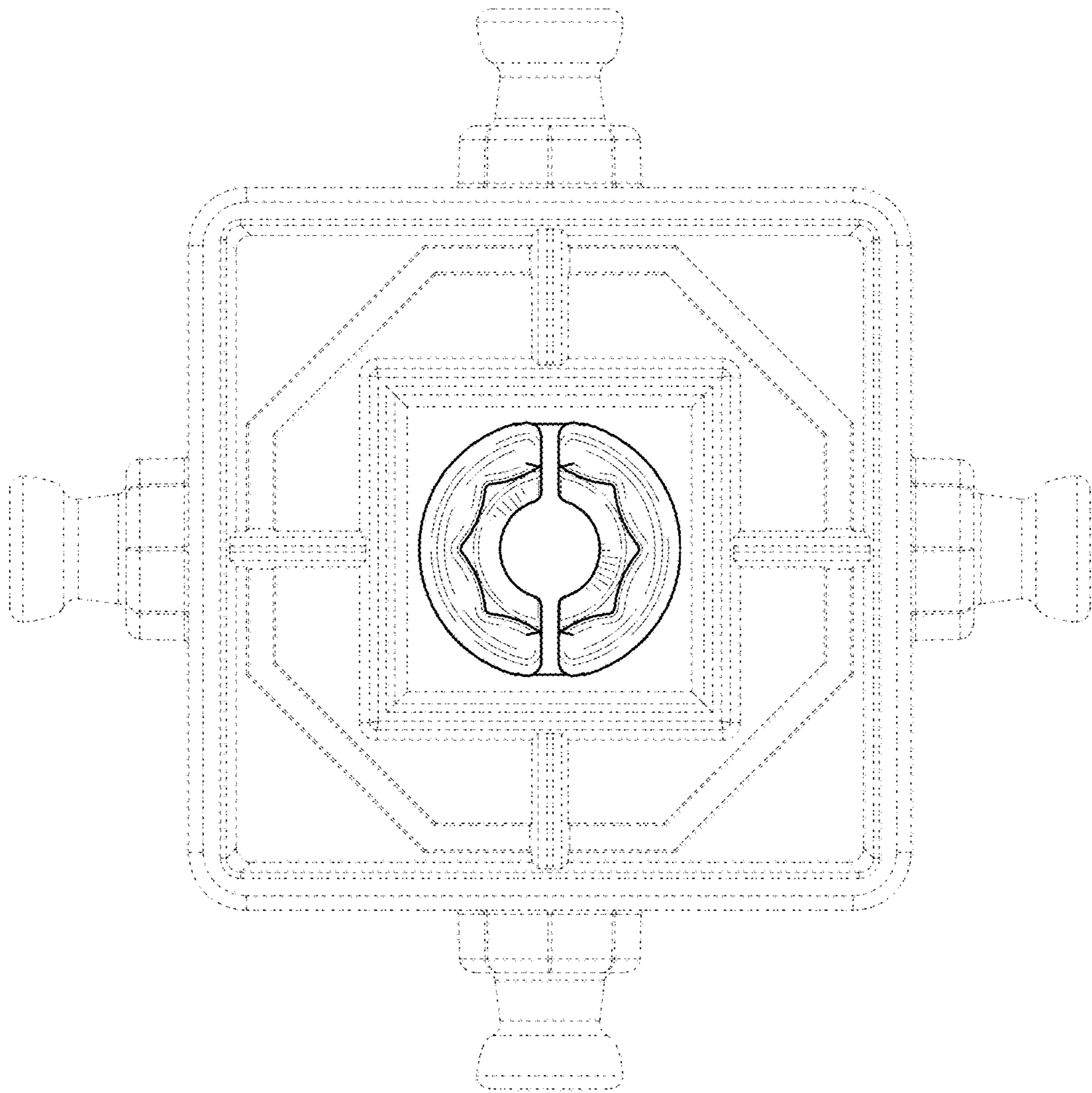


Fig. 6

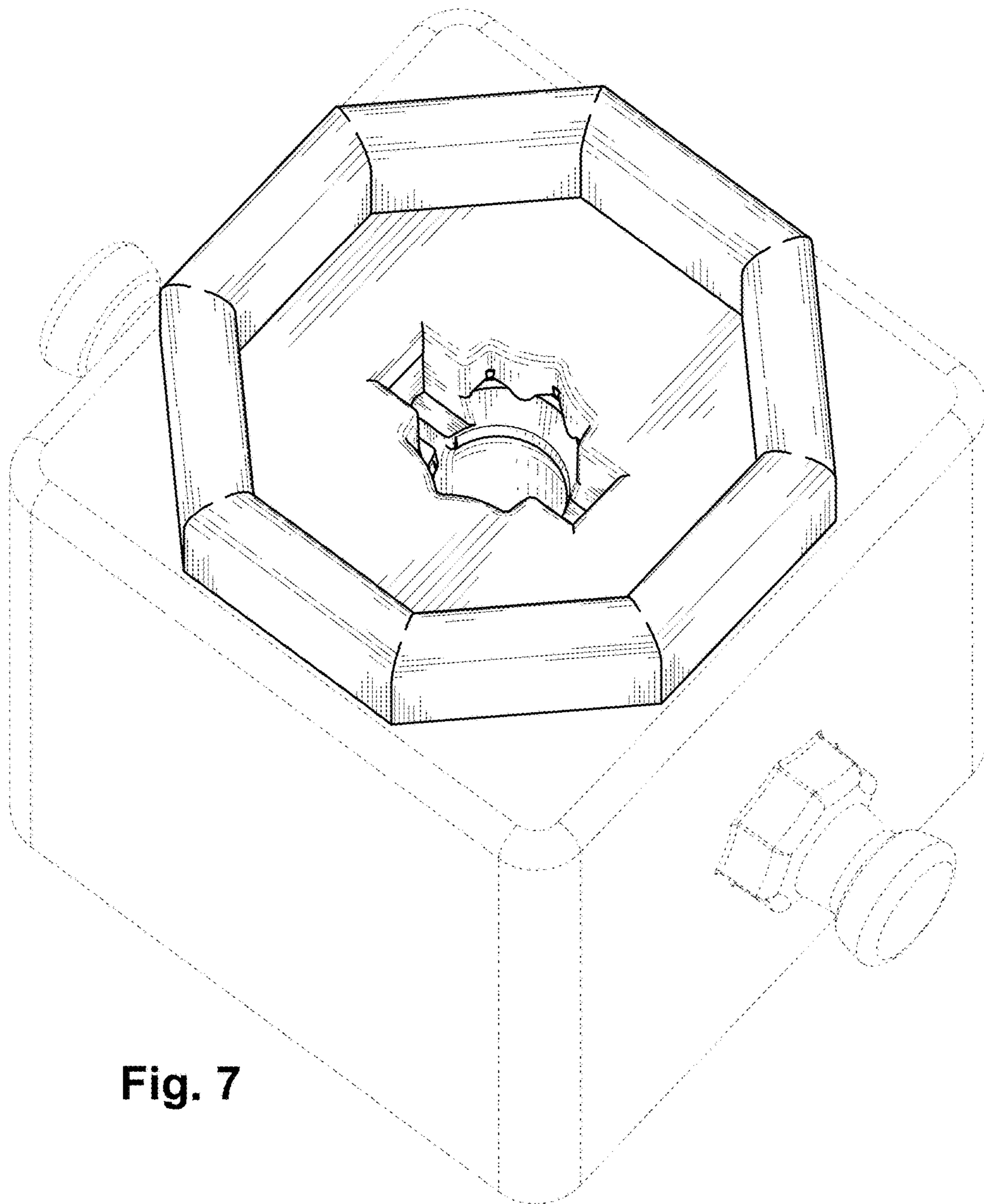


Fig. 7

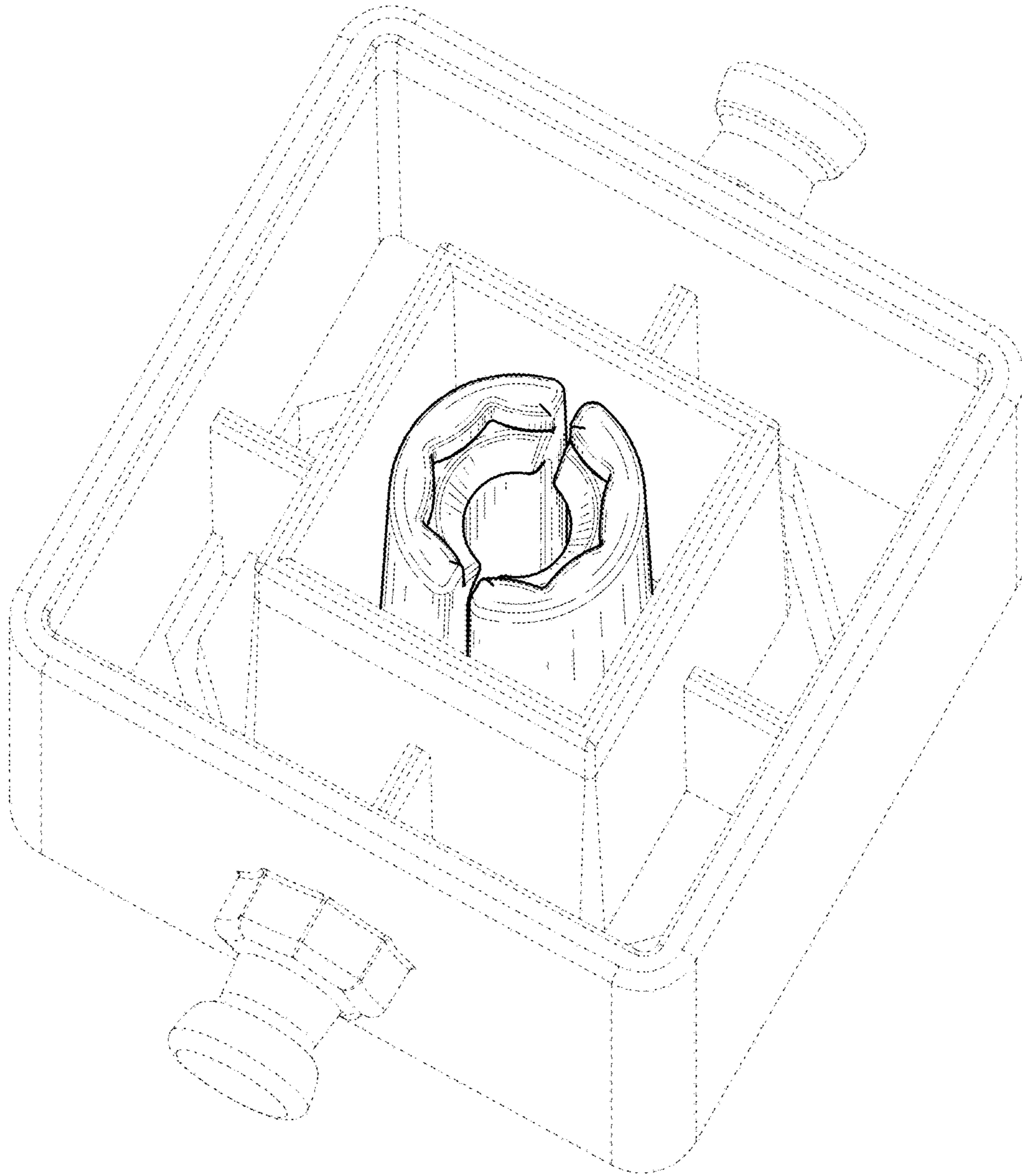


Fig. 8

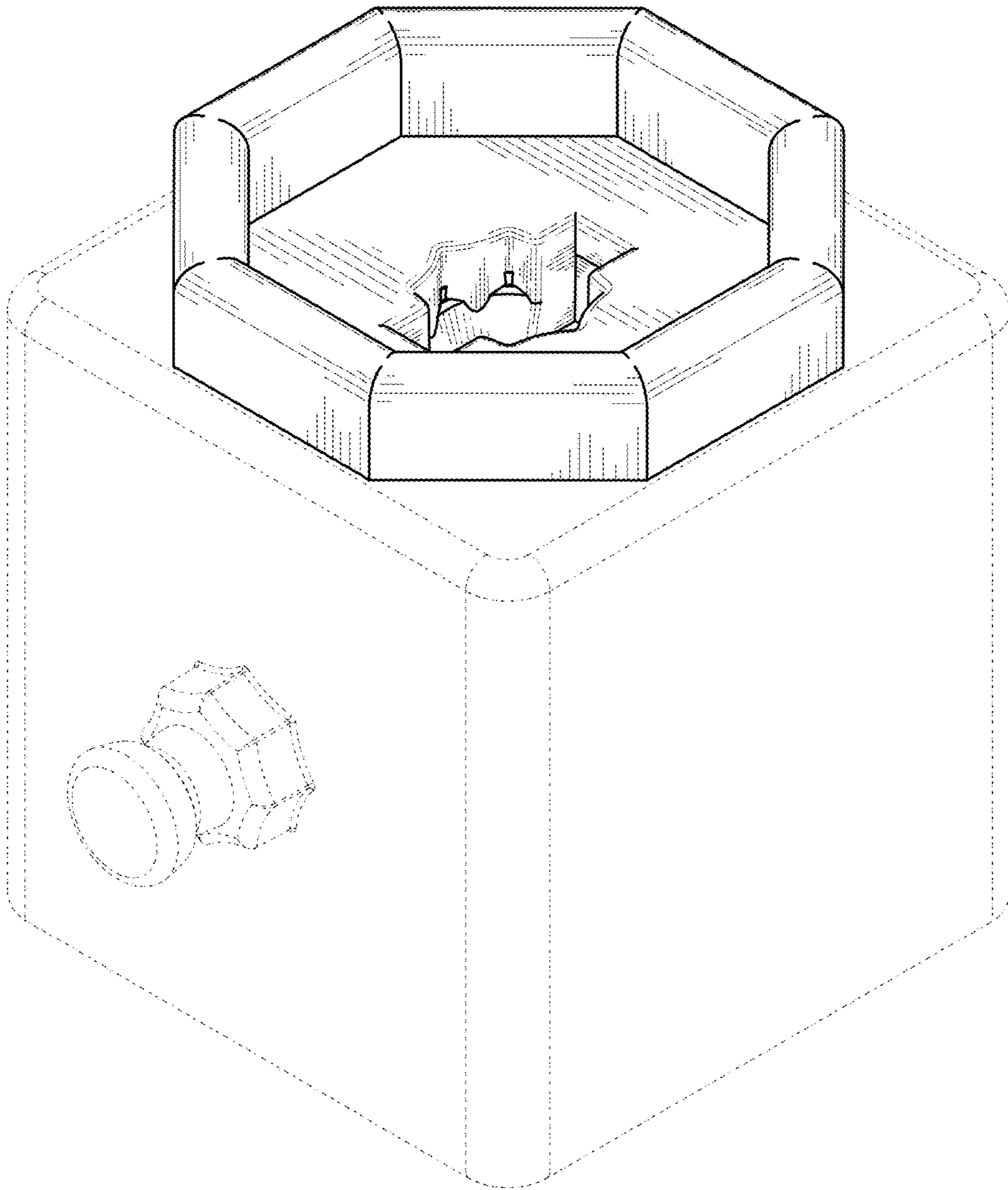


Fig. 9

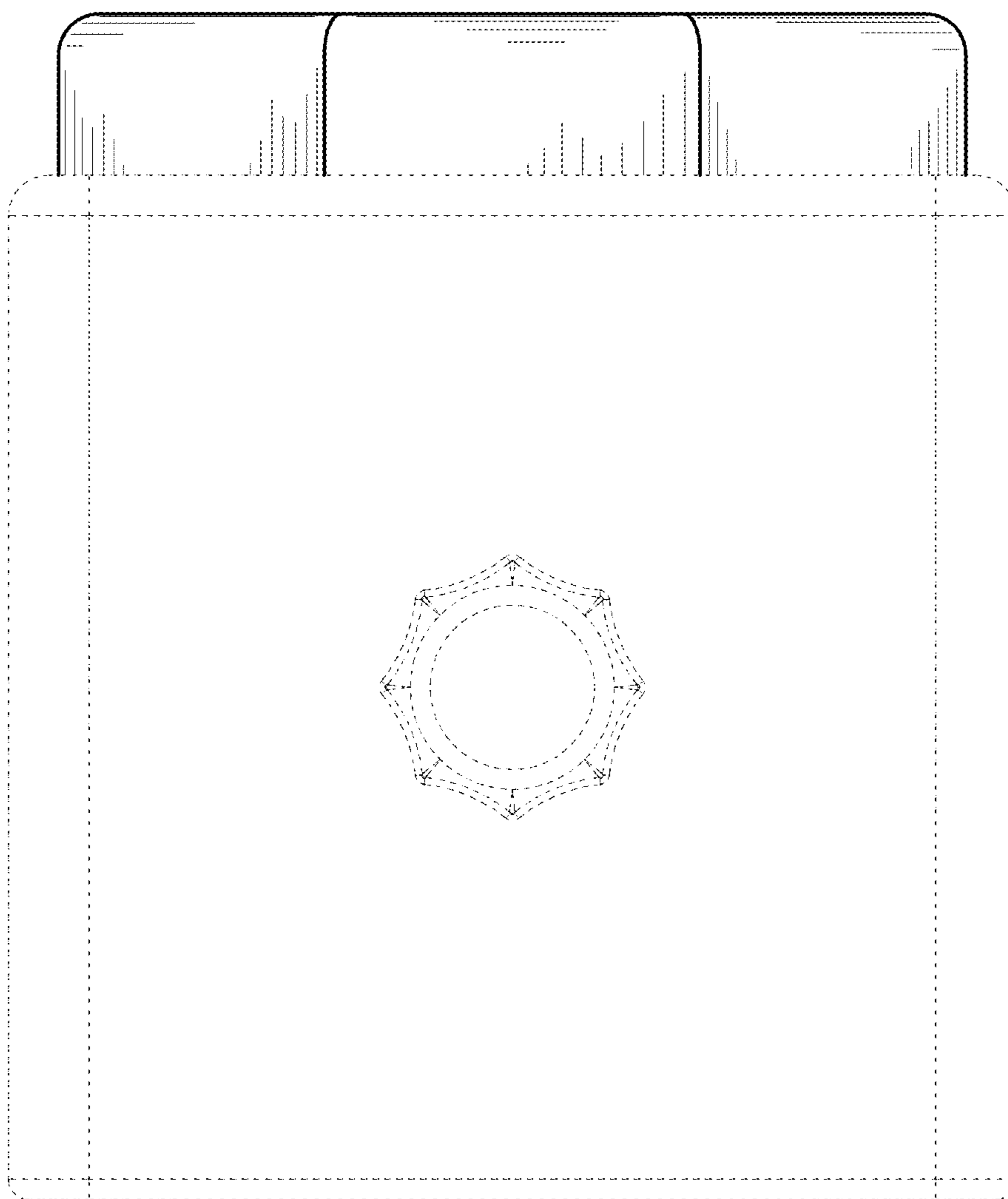


Fig. 10

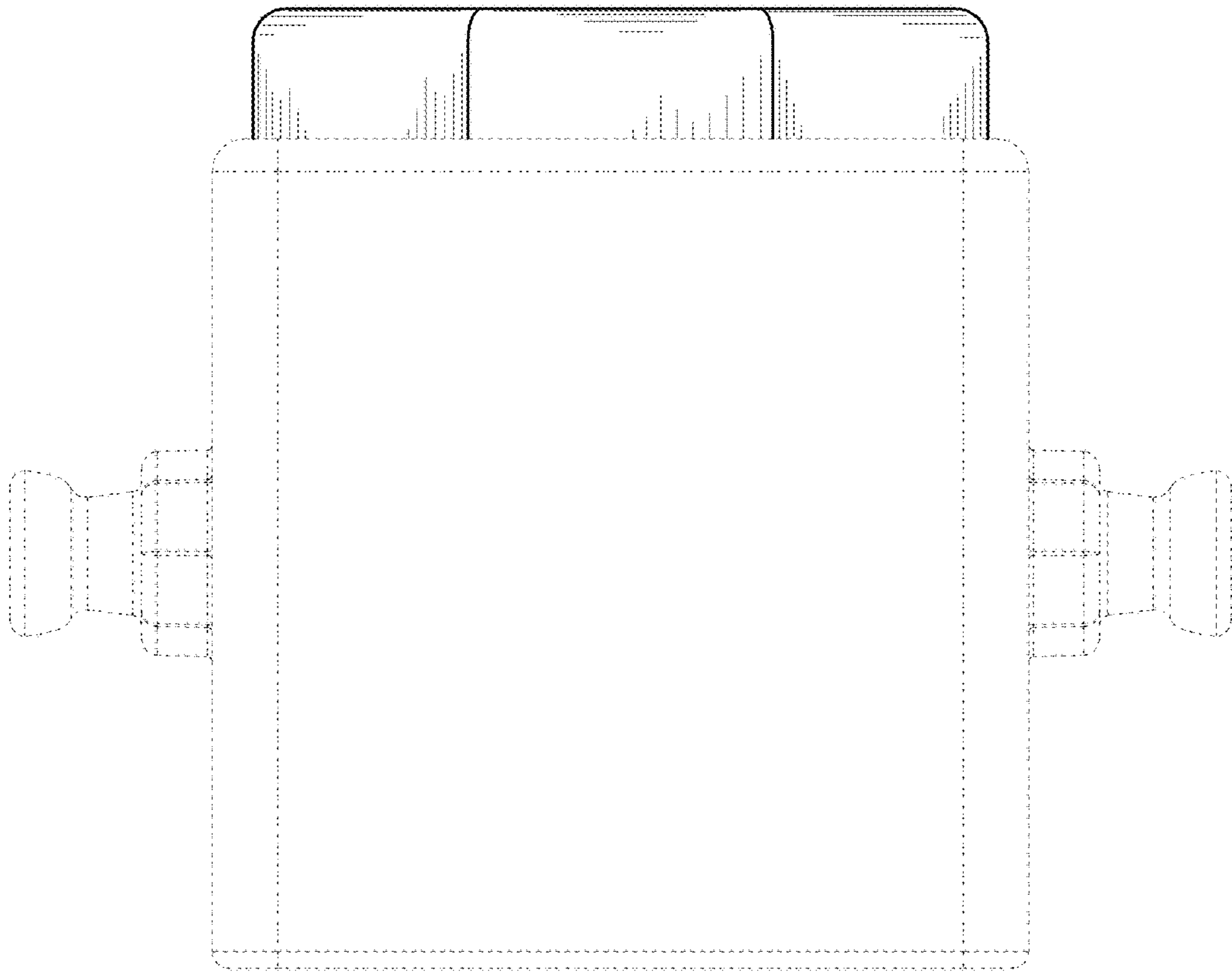


Fig. 11

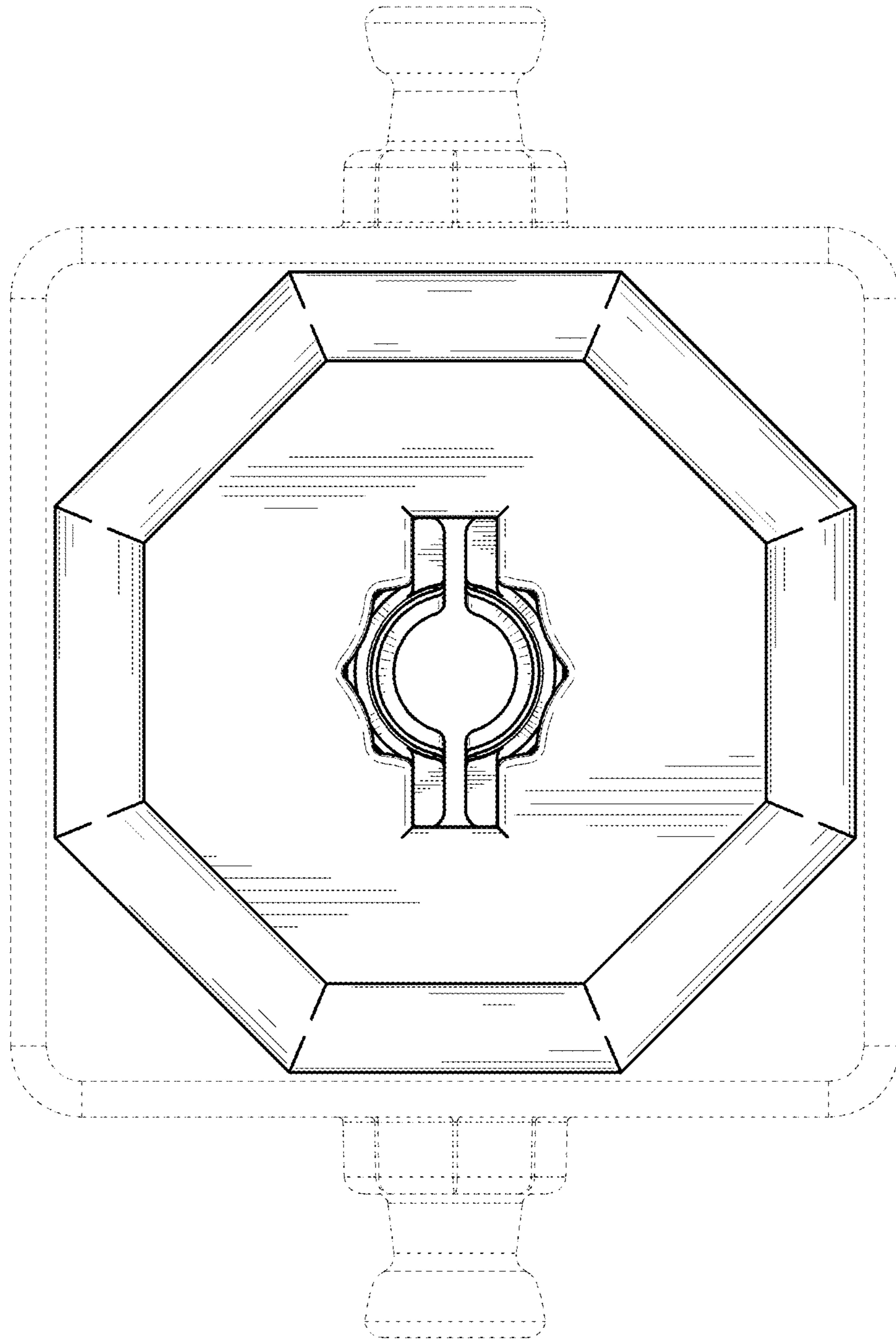


Fig. 12

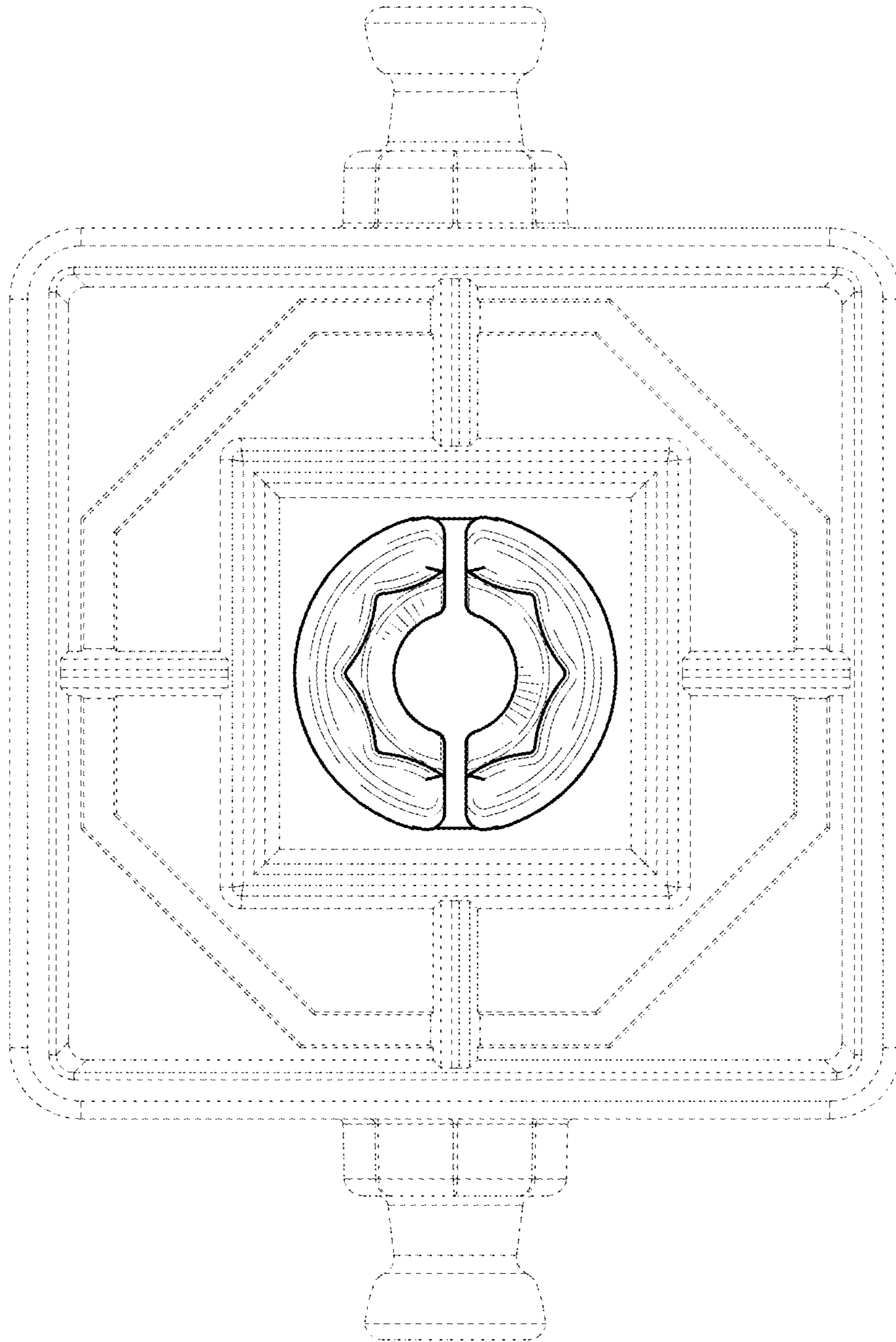


Fig. 13